



US00D771624S

(12) **United States Design Patent** (10) **Patent No.:** **US D771,624 S**
Aumiller et al. (45) **Date of Patent:** **** Nov. 15, 2016**

(54) **WEARABLE ELECTRONIC DEVICE**
(71) Applicant: **SAMSUNG ELECTRONICS CO., LTD.**, Suwon-si (KR)
(72) Inventors: **Curtis Aumiller**, San Jose, CA (US); **Pranav Mistry**, Cupertino, CA (US); **Chengyuan Wei**, Dalian (CN)
(73) Assignee: **SAMSUNG ELECTRONICS CO., LTD.**, Suwon-si (KR)

D551,576 S * 9/2007 Field D10/38
D584,170 S * 1/2009 Morrison D10/32
D600,138 S * 9/2009 Tang D10/30
D632,192 S * 2/2011 Jorst D10/38
D636,686 S * 4/2011 Cobbett D10/38
D645,360 S * 9/2011 Kiser D10/32
D672,667 S * 12/2012 Mix D10/65
D693,248 S * 11/2013 Anderssen D10/65
D701,504 S * 3/2014 Christopher D14/344
D703,204 S * 4/2014 Riddiford D10/65
D709,873 S * 7/2014 Aumiller D14/344
D714,288 S * 9/2014 Aumiller D14/344

(Continued)

(**) Term: **14 Years**
(21) Appl. No.: **29/453,824**
(22) Filed: **May 3, 2013**

Primary Examiner — Mary Ann Calabrese
Assistant Examiner — Jennifer L Rempfer
(74) *Attorney, Agent, or Firm* — Sughrue Mion, PLLC

Related U.S. Application Data

(63) Continuation of application No. 29/449,659, filed on Mar. 15, 2013, now Pat. No. Des. 709,873.

(51) **LOC (10) Cl.** **14-02**
(52) **U.S. Cl.**
USPC **D14/344**

(58) **Field of Classification Search**
USPC D14/341–347, 371, 426, 427; D11/3; D10/30–39, 70, 121, 122, 128
CPC A61B 2017/60442; A61B 2017/6824; A61B 5/681; A61B 5/02438; A61B 5/1112; A61B 5/0022; H04B 1/385; A44C 5/14; A44C 5/12

See application file for complete search history.

(56) **References Cited**

U.S. PATENT DOCUMENTS

D366,036 S * 1/1996 Houlihan D10/30
D474,984 S * 5/2003 Wilson D10/37
D528,439 S * 9/2006 Burton D10/32
D528,441 S * 9/2006 Burton D10/38
D528,928 S * 9/2006 Burton
D548,113 S * 8/2007 Burton D10/32

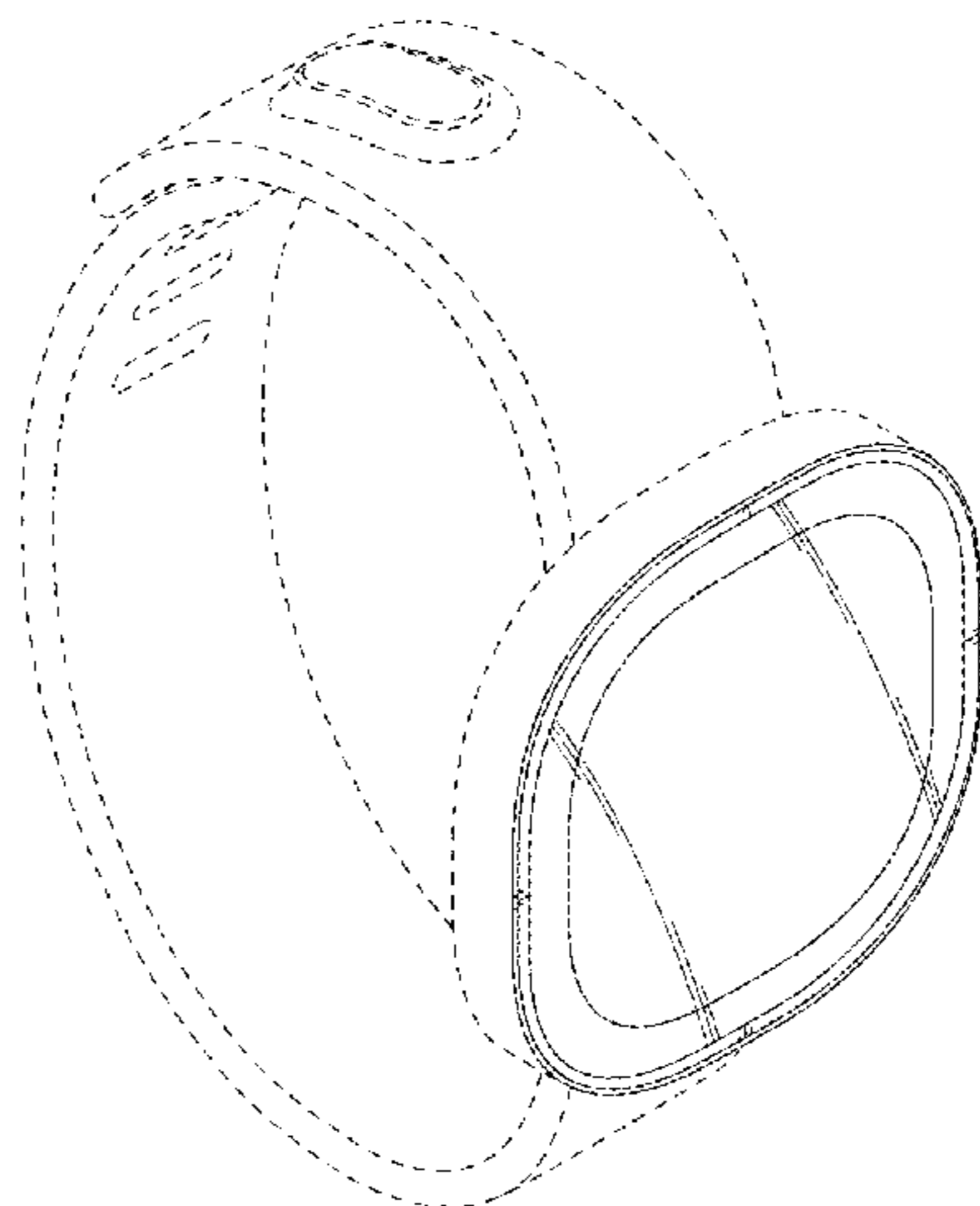
(57) **CLAIM**

The ornamental design for a wearable electronic device, as shown and described.

DESCRIPTION

FIG. 1 is a top front perspective view of a wearable electronic device showing our new design; FIG. 2 is a front elevational view thereof; FIG. 3 is a rear elevational view thereof; FIG. 4 is a left side elevational view thereof; FIG. 5 is a right side elevational view thereof; FIG. 6 is a top plan view thereof; FIG. 7 is a bottom plan view thereof; FIG. 8 is an additional top front perspective view thereof with the wearable electronic device shown at a different direction from that of FIG. 1; and, FIG. 9 is an additional top front perspective view thereof with a portion of the band shown partially truncated. The broken lines shown in the drawings represent portions of the electronic device that form no part of the claimed device. The dash-dot-dash lines represent a symbolic break boundary of the band portion of the electronic device and form no part of the claimed design.

1 Claim, 5 Drawing Sheets



US D771,624 S

Page 2

(56)

References Cited

U.S. PATENT DOCUMENTS

D724,047 S * 3/2015 Kim D10/38
D726,680 S * 4/2015 Kim D10/37
D729,654 S * 5/2015 Nuovo D10/103

D737,158 S * 8/2015 Akana D10/32
D741,726 S * 10/2015 Akana D10/30
2007/0100244 A1* 5/2007 Lin A61B 5/02438
600/503

* cited by examiner

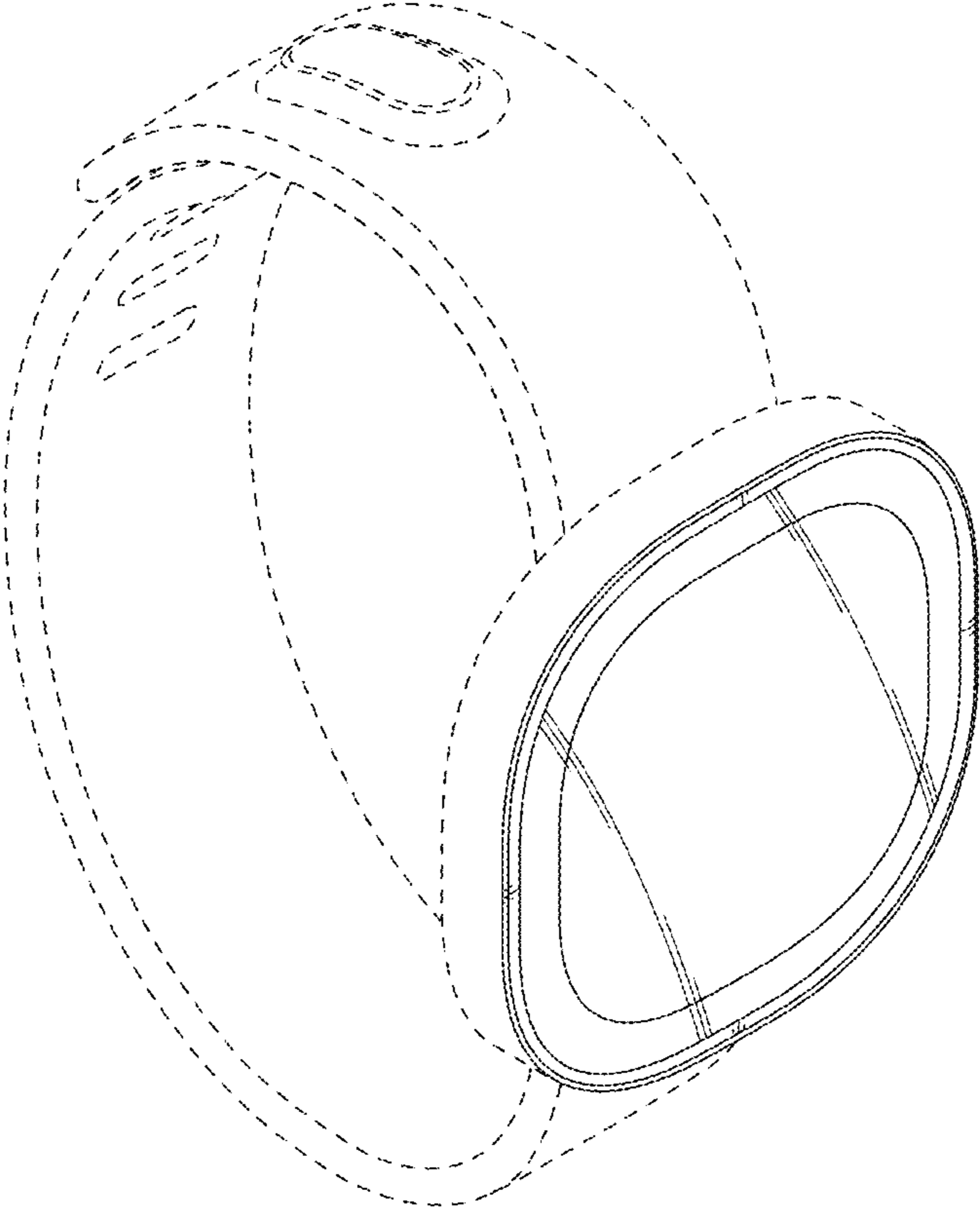


FIG. 1

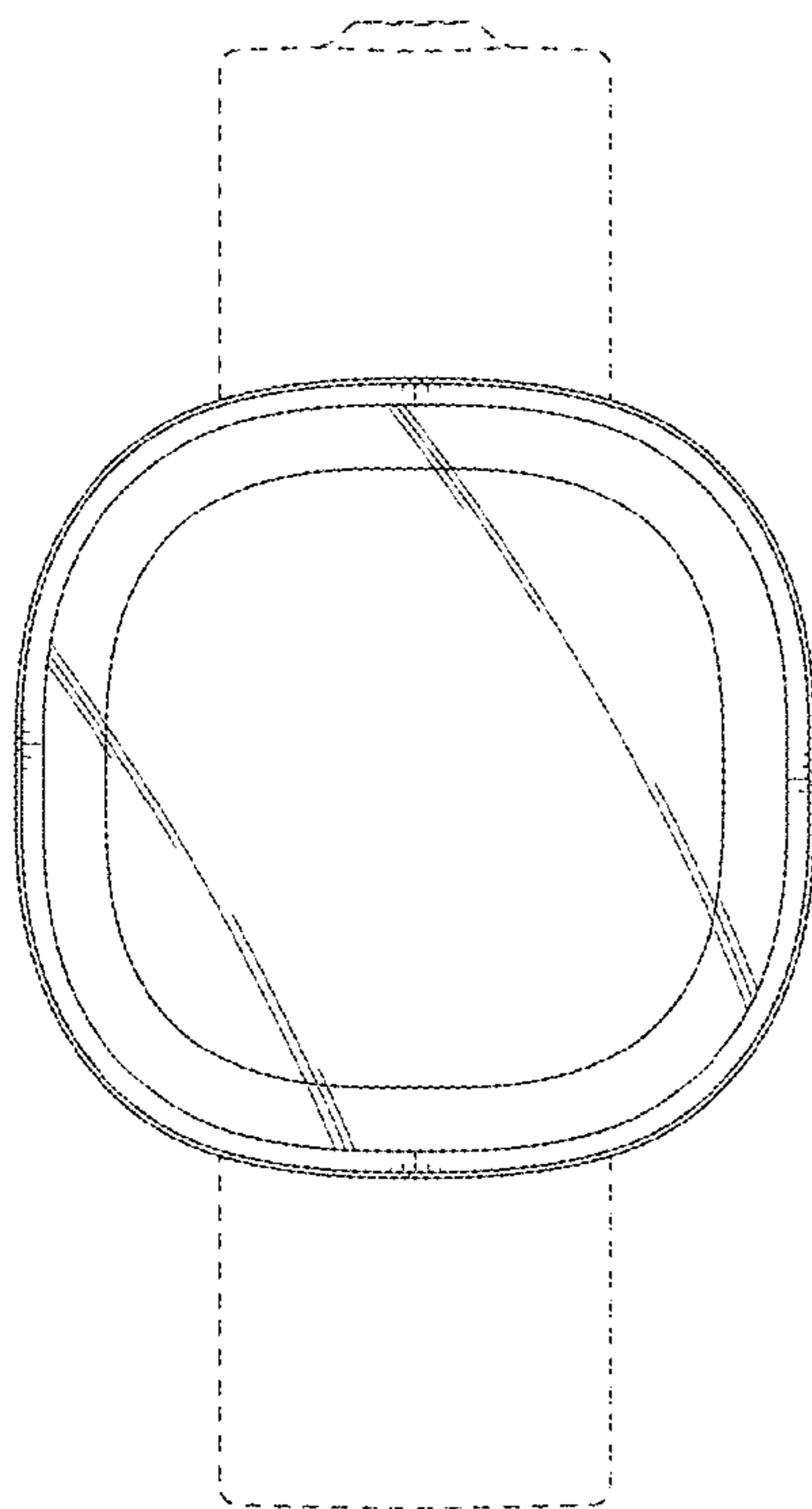


FIG. 2

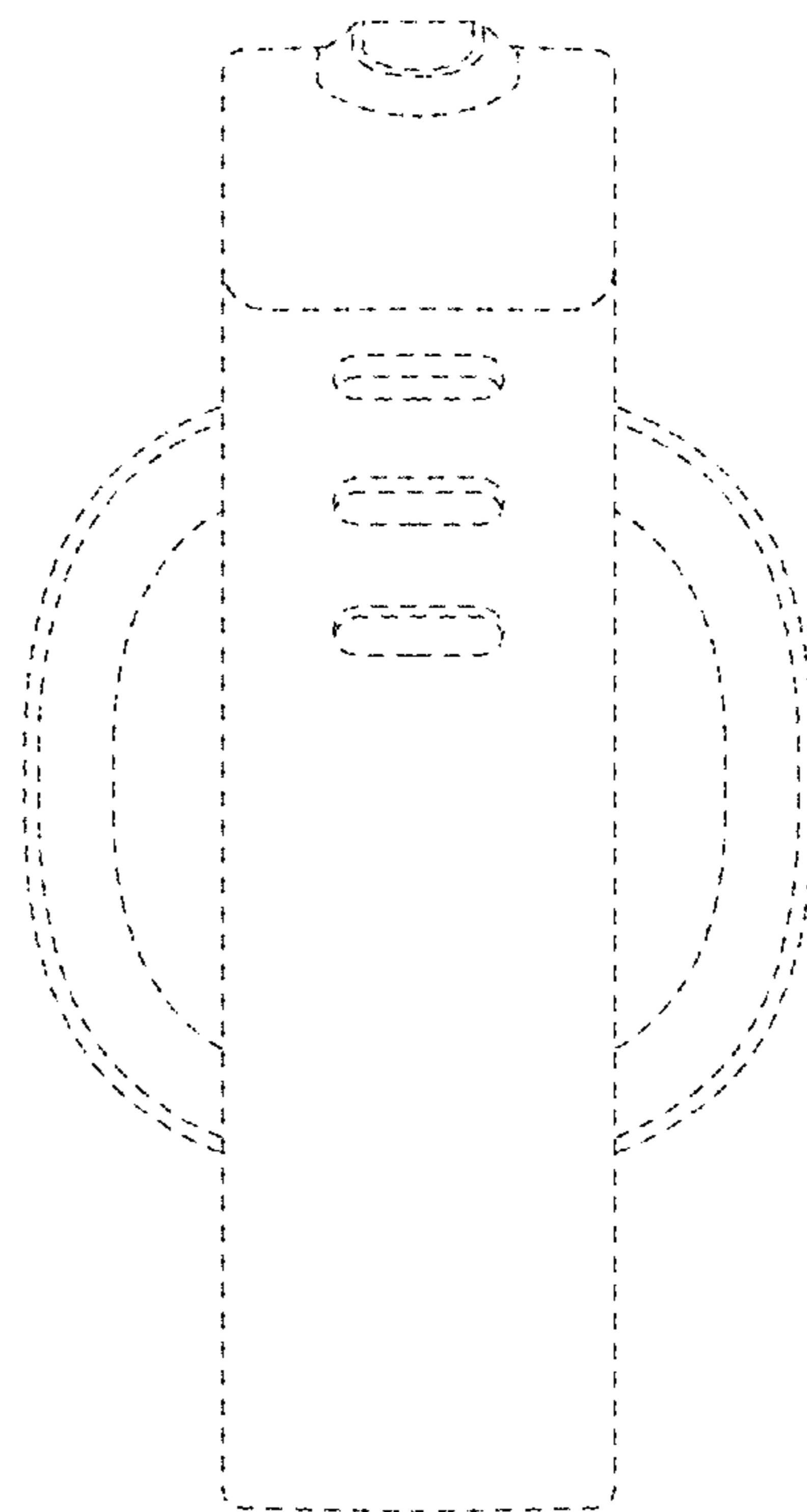


FIG. 3

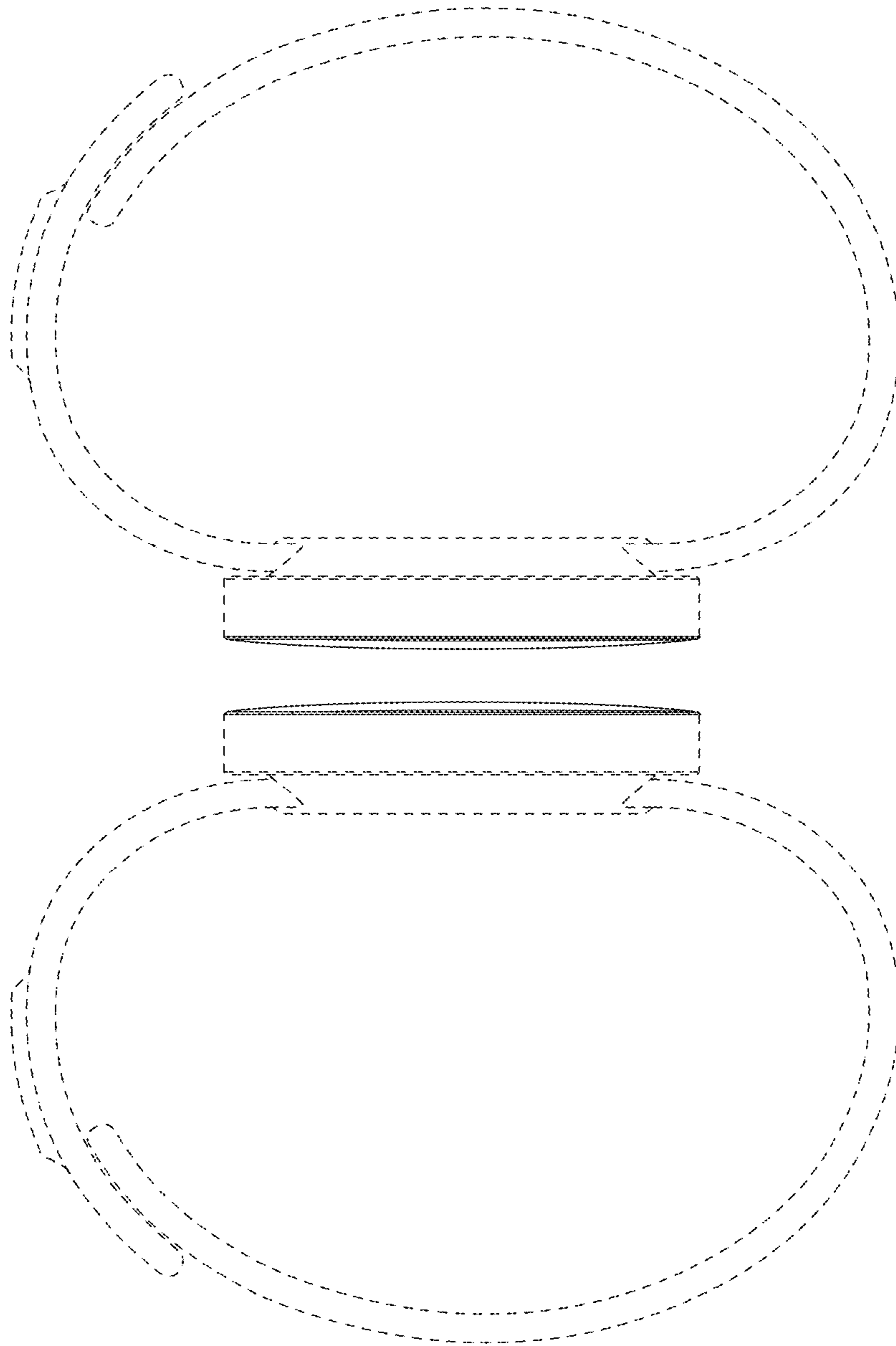


FIG. 5

FIG. 4

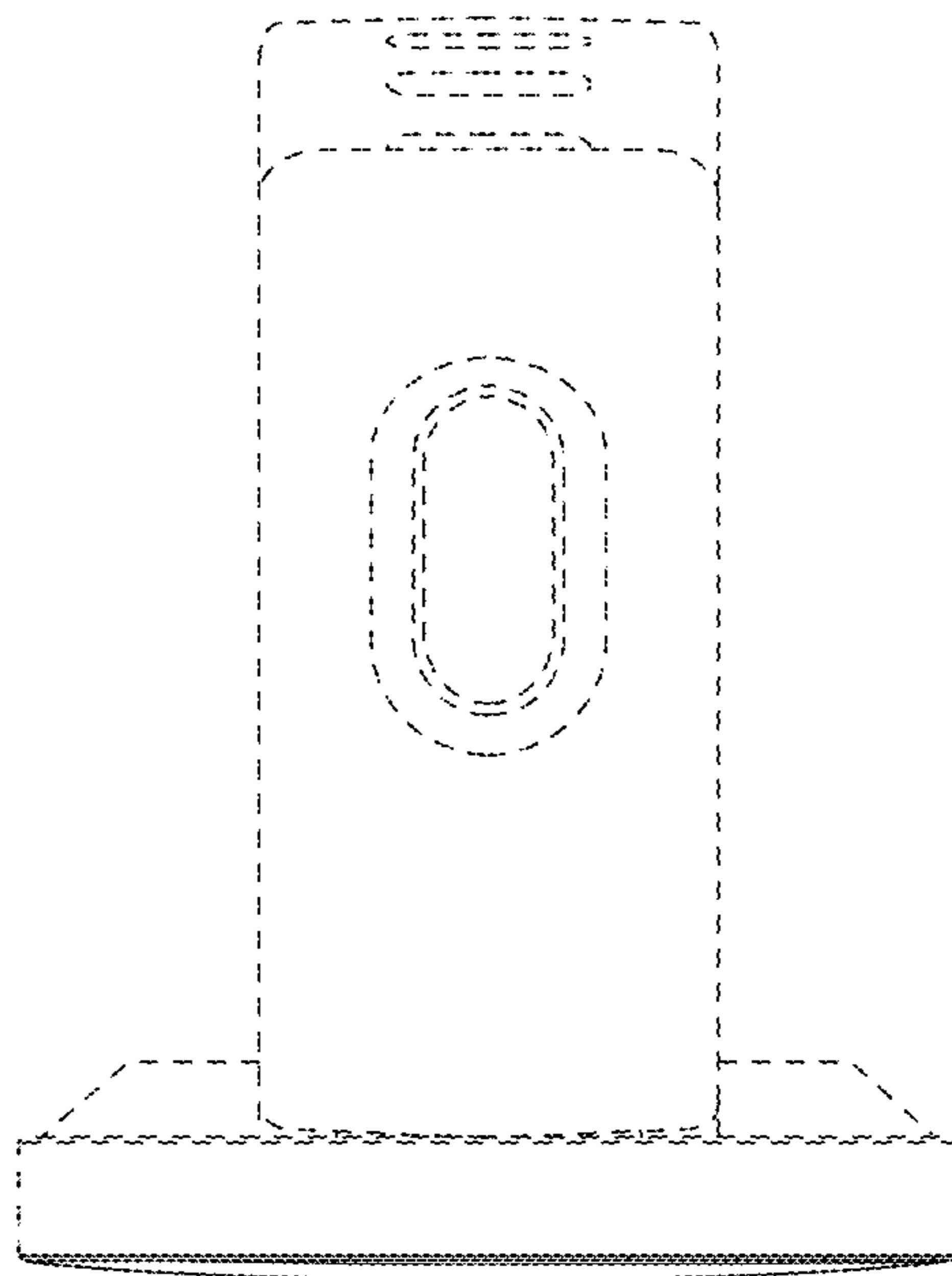


FIG. 6

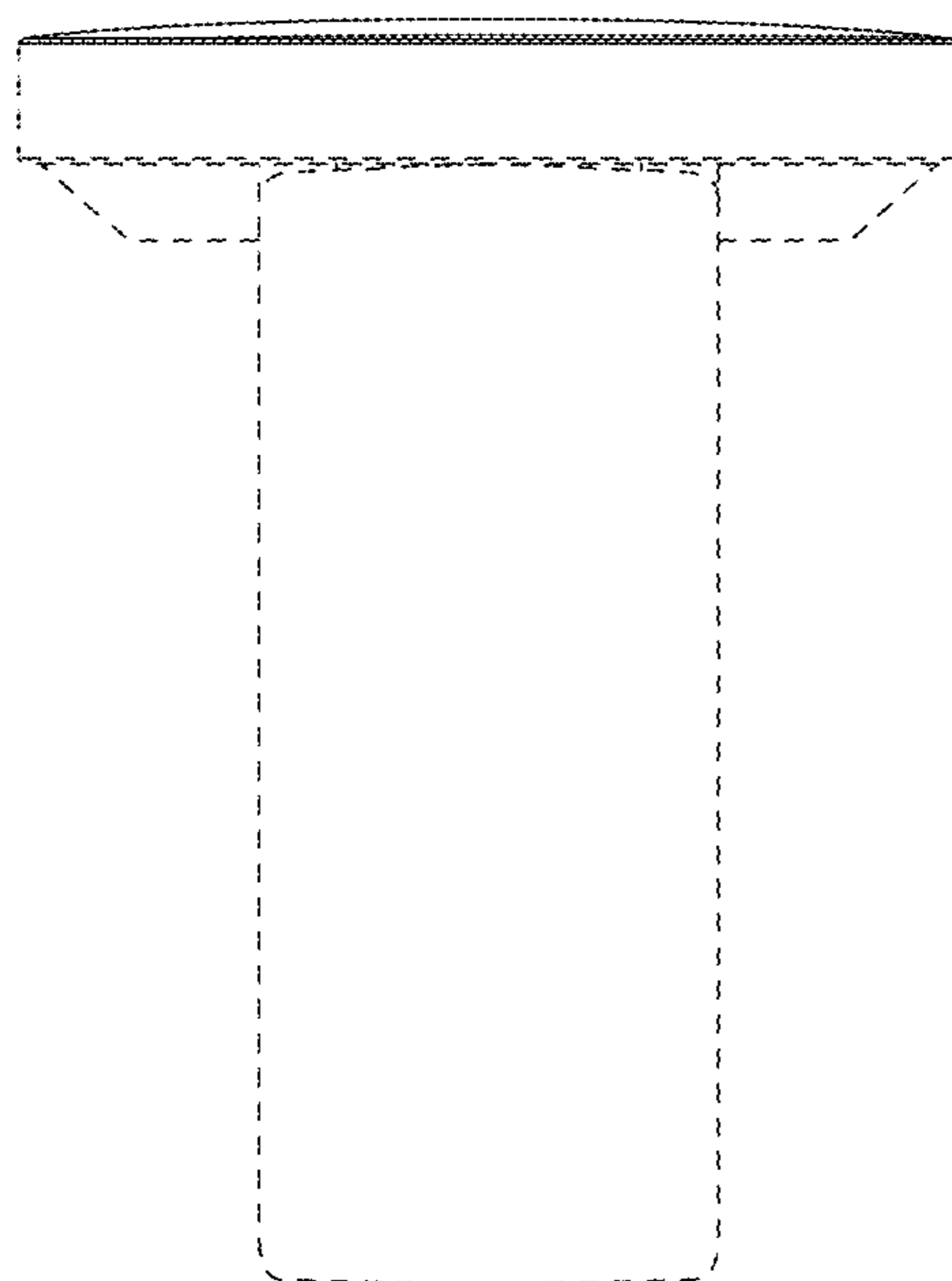


FIG. 7

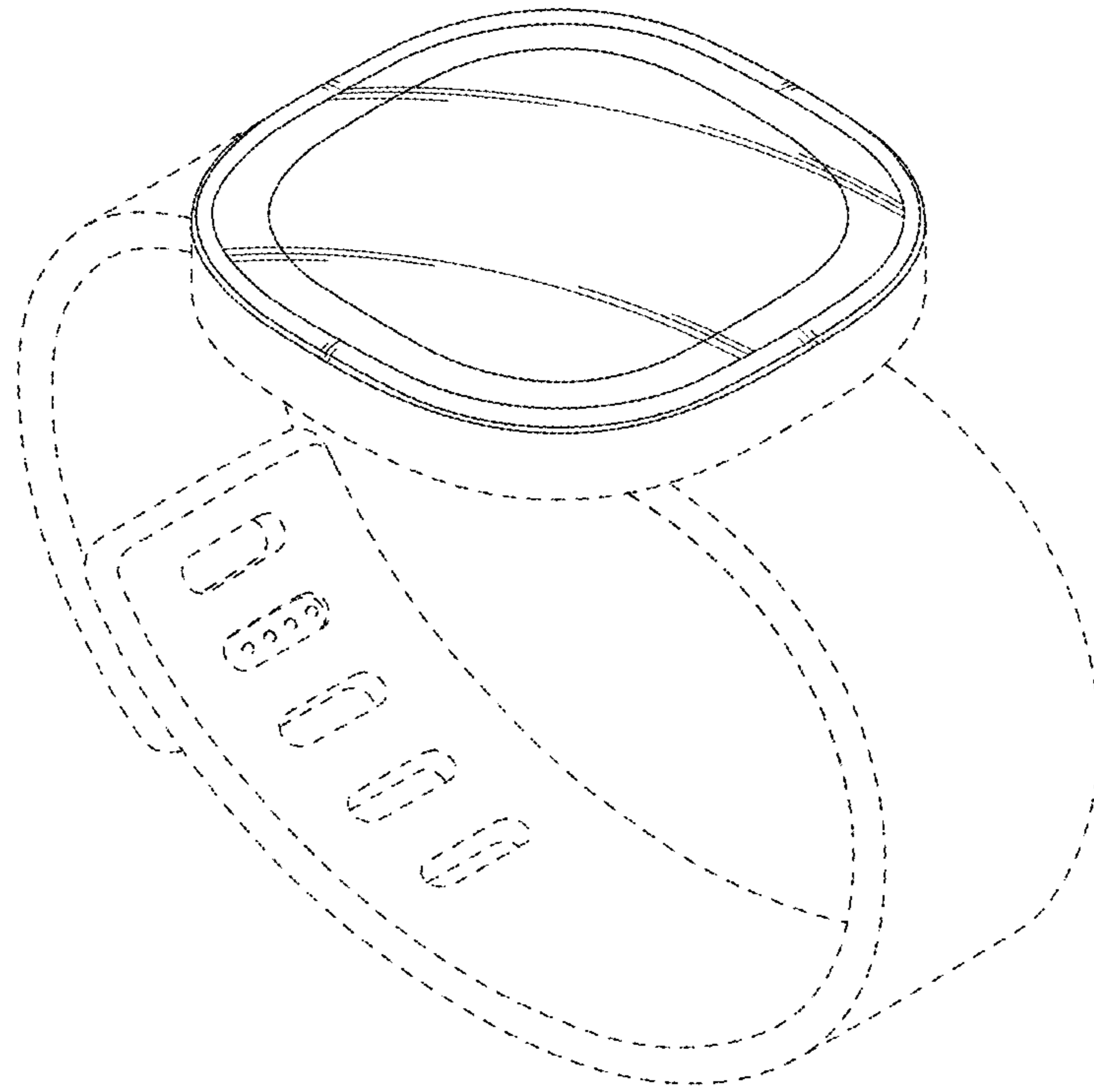


FIG. 8

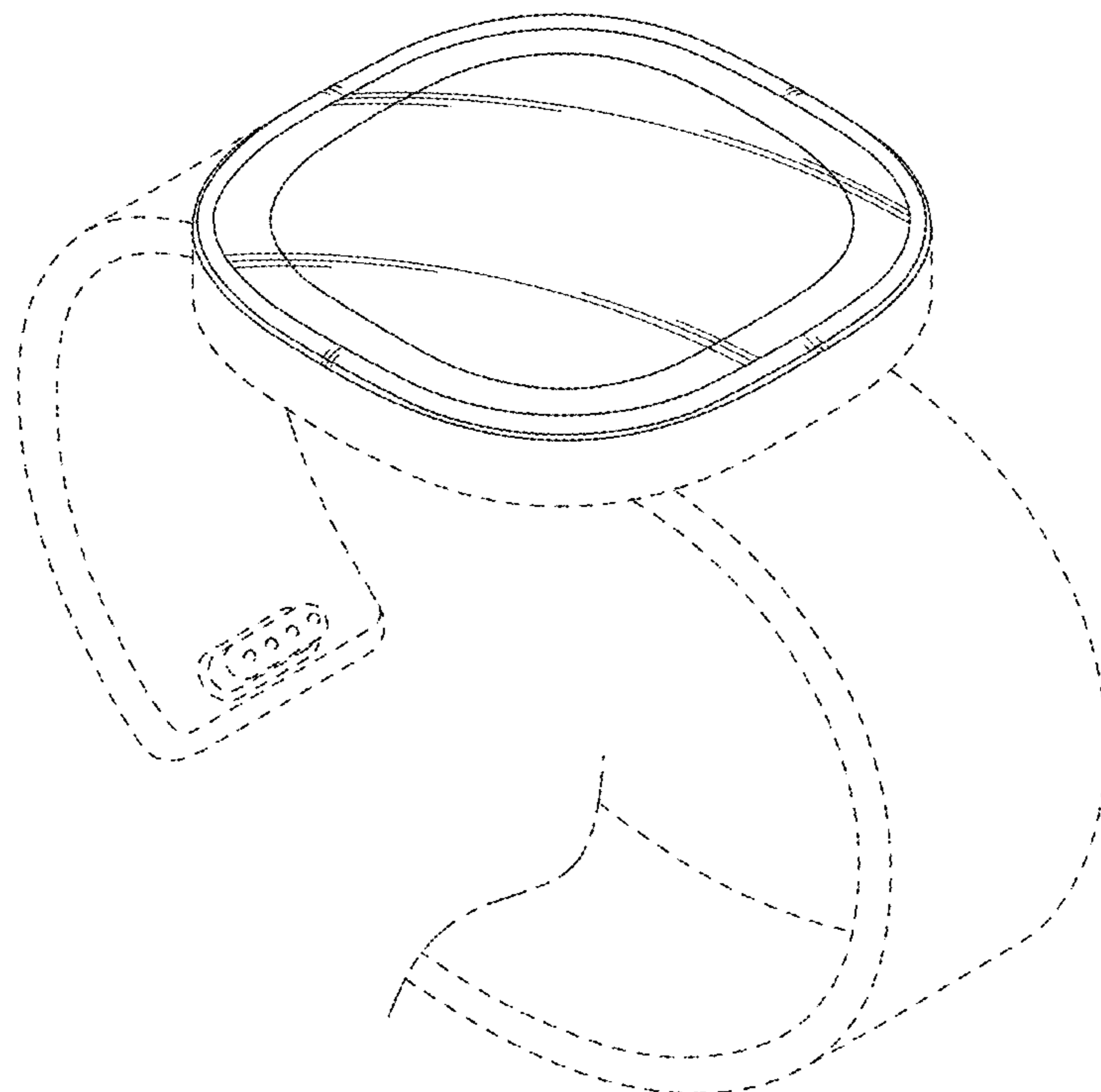


FIG. 9