



US00D771618S

(12) **United States Design Patent**
Nishida

(10) **Patent No.:** **US D771,618 S**

(45) **Date of Patent:** **** Nov. 15, 2016**

(54) **CONTROLLER FOR WIRELESS RADIOS**

(71) Applicant: **ICOM INCORPORATED**, Osaka-shi,
Osaka (JP)

(72) Inventor: **Tetsuro Nishida**, Osaka (JP)

(73) Assignee: **ICOM INCORPORATED**, Osaka-shi
(JP)

(**) Term: **15 Years**

(21) Appl. No.: **29/536,439**

(22) Filed: **Aug. 17, 2015**

(30) **Foreign Application Priority Data**

Feb. 18, 2015 (JP) 2015-003265

(51) **LOC (10) Cl.** **14-03**

(52) **U.S. Cl.**
USPC **D14/258**

(58) **Field of Classification Search**

USPC D12/192, 195, 415, 420; D14/496,
D14/498-506, 154, 157, 168-171, 188-198,
D14/218, 257-258; 248/27.1, 27.3, 558;
455/347, 350

CPC B60R 11/02; B60K 37/04; B60K 37/06;
H04B 1/08; H04B 1/082

See application file for complete search history.

(56) **References Cited**

U.S. PATENT DOCUMENTS

D345,160 S * 3/1994 Yamane D14/157
D364,877 S * 12/1995 Tokiyama D14/258

D483,344 S * 12/2003 Escorcia D14/157
D531,163 S * 10/2006 Kaner D14/188
D595,685 S * 7/2009 Iwamoto D14/157
D615,525 S * 5/2010 Emge D14/188
D678,265 S * 3/2013 Tran D14/258
D678,266 S * 3/2013 Tran D14/258
D727,306 S * 4/2015 Yong D14/188
9,249,971 B2 * 2/2016 Heng H04B 1/082

FOREIGN PATENT DOCUMENTS

JP D1323313 3/2008

* cited by examiner

Primary Examiner — Sandra Morris

(74) *Attorney, Agent, or Firm* — Birch, Stewart, Kolasch
& Birch, LLP

(57) **CLAIM**

The ornamental design for a controller for wireless radios, as shown and described.

DESCRIPTION

FIG. 1 is a perspective view of the controller for wireless radios;

FIG. 2 is a front view of the controller for wireless radios;

FIG. 3 is a rear view of the controller for wireless radios;

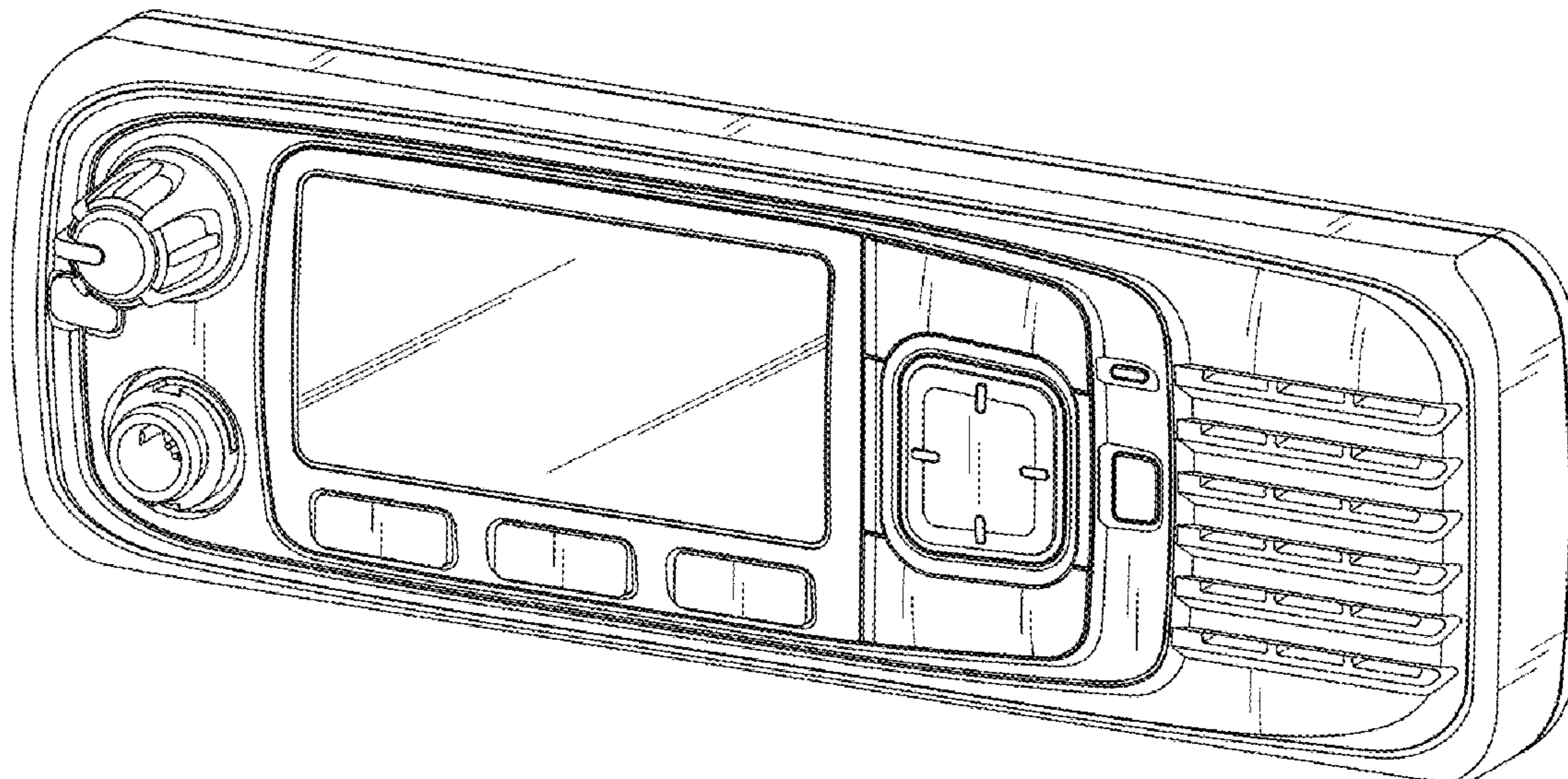
FIG. 4 is a left side view of the controller for wireless radios;

FIG. 5 is a right side view of the controller for wireless radios;

FIG. 6 is a top view of the controller for wireless radios; and,

FIG. 7 is a bottom view of the controller for wireless radios.

1 Claim, 4 Drawing Sheets



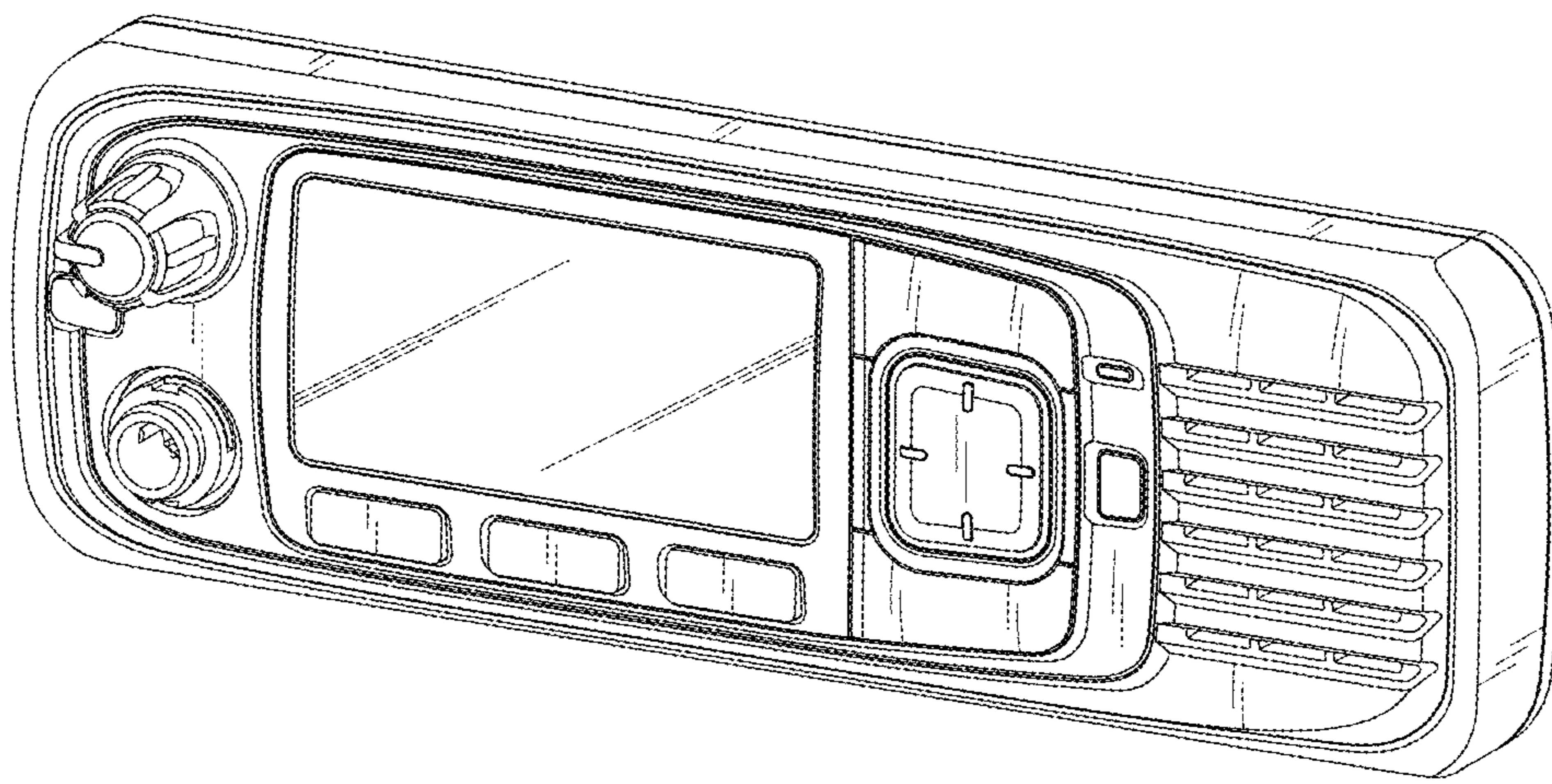


FIG.1

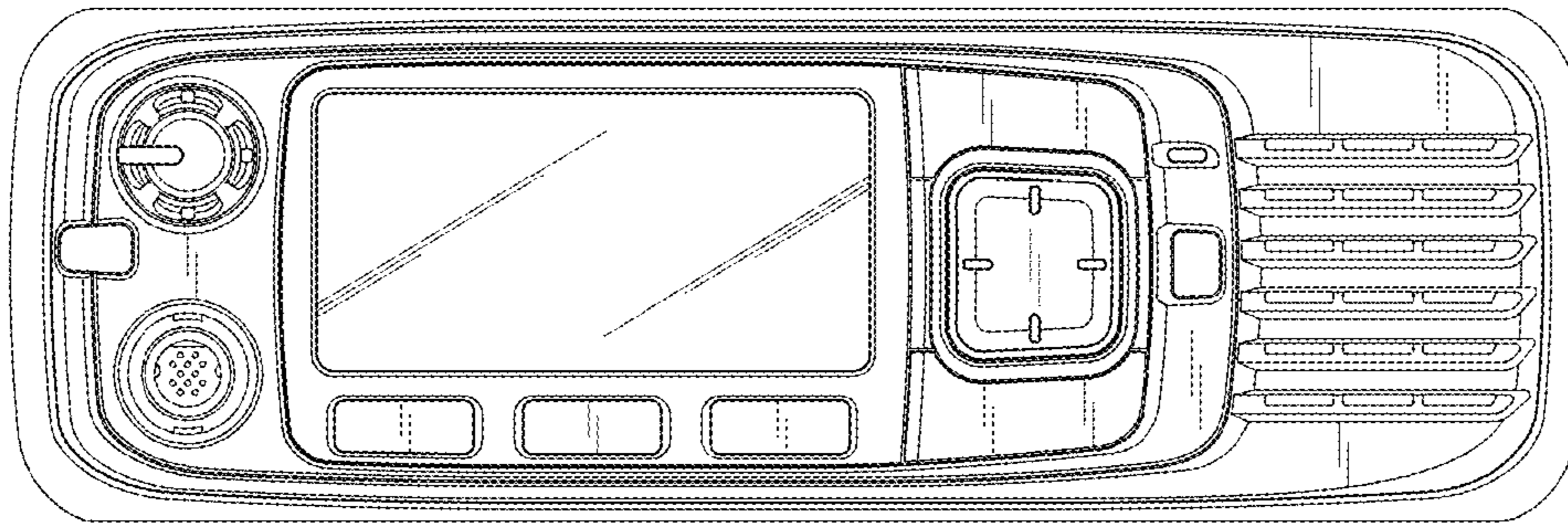


FIG. 2

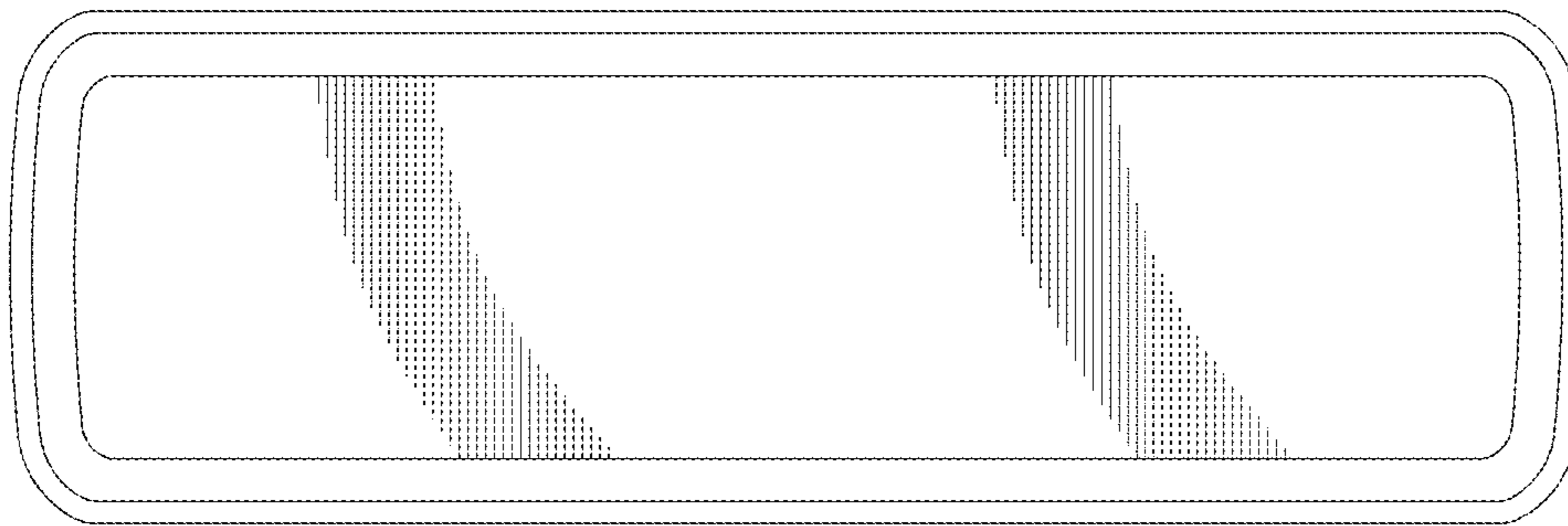


FIG. 3

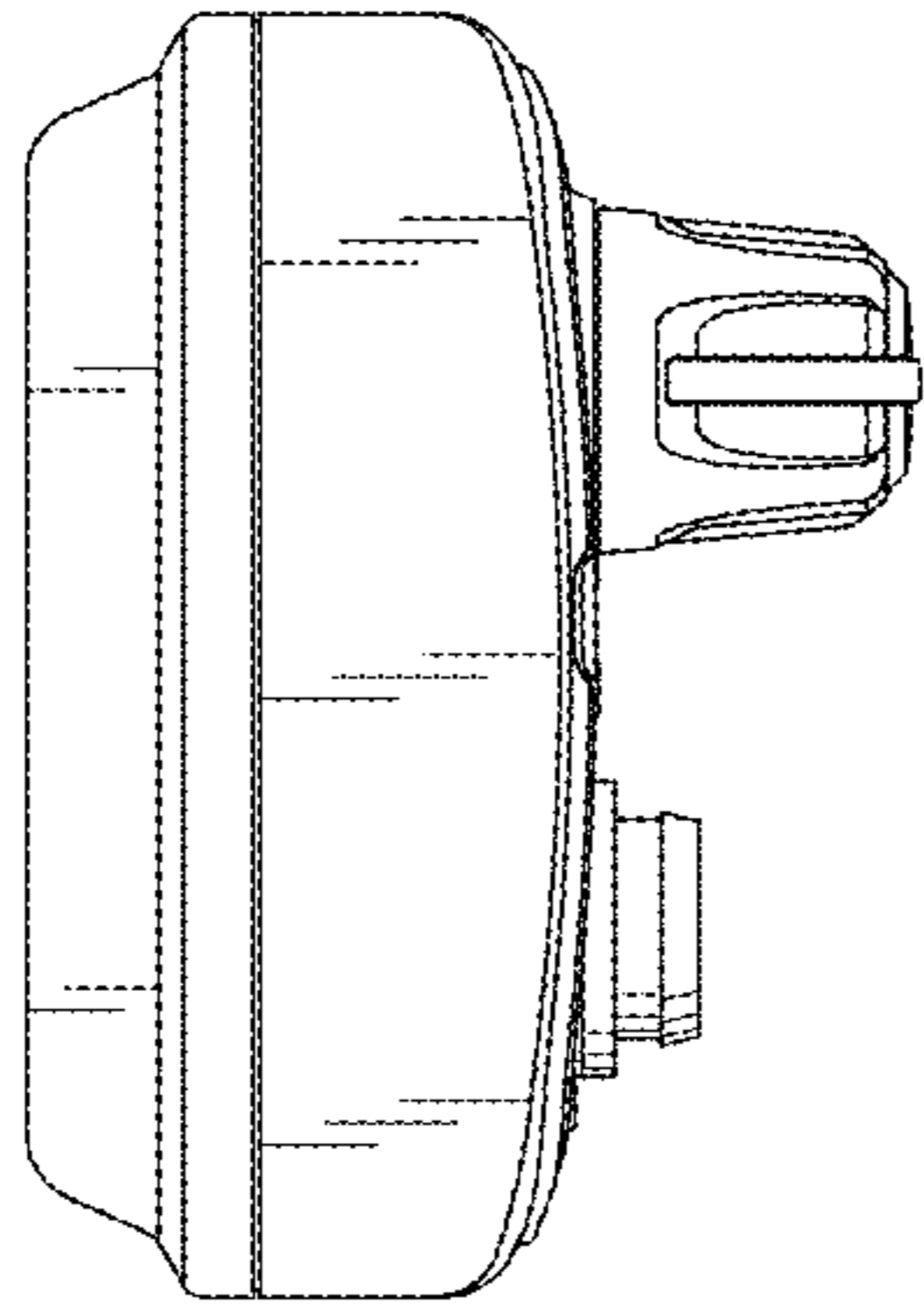


FIG.4

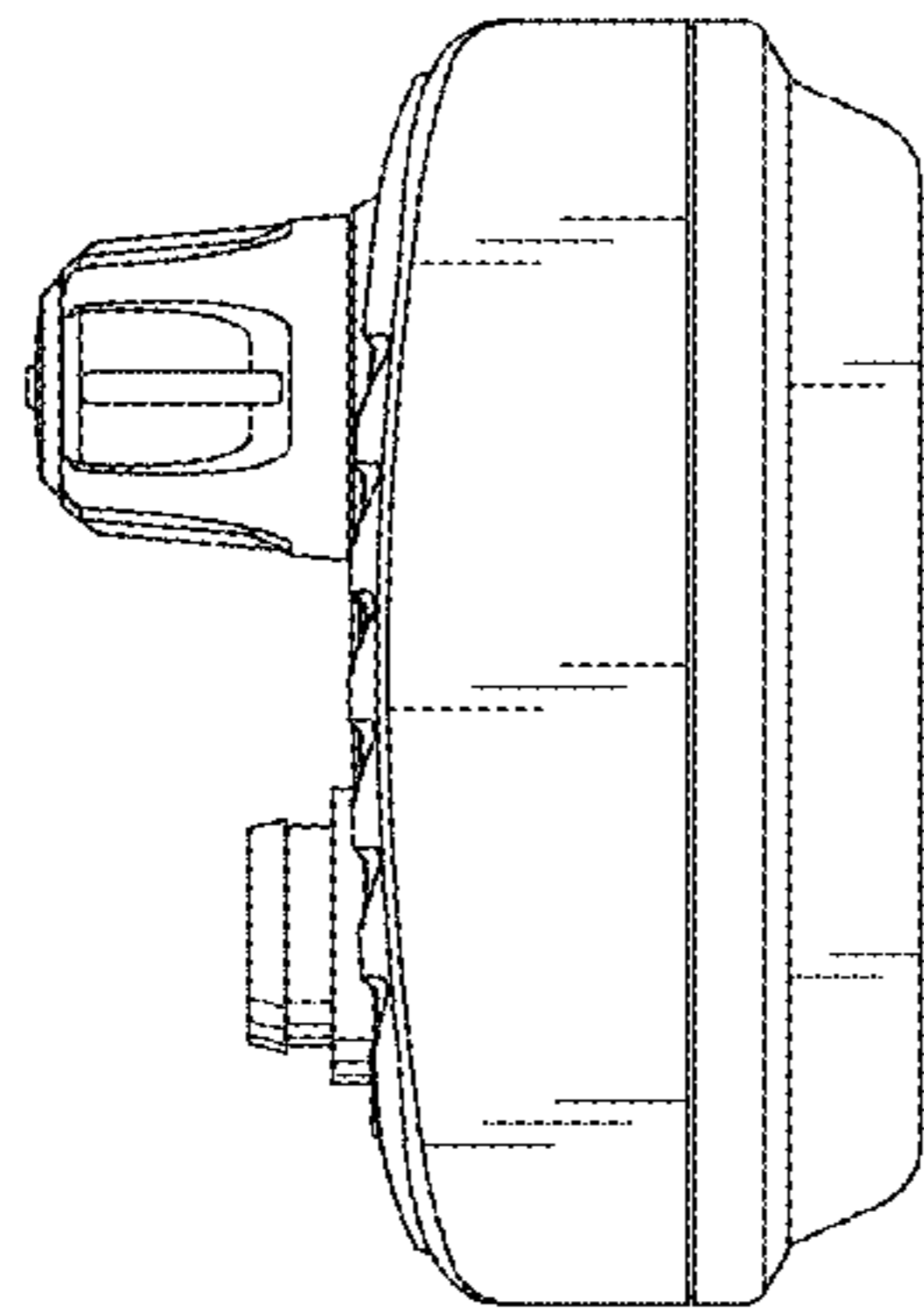


FIG.5

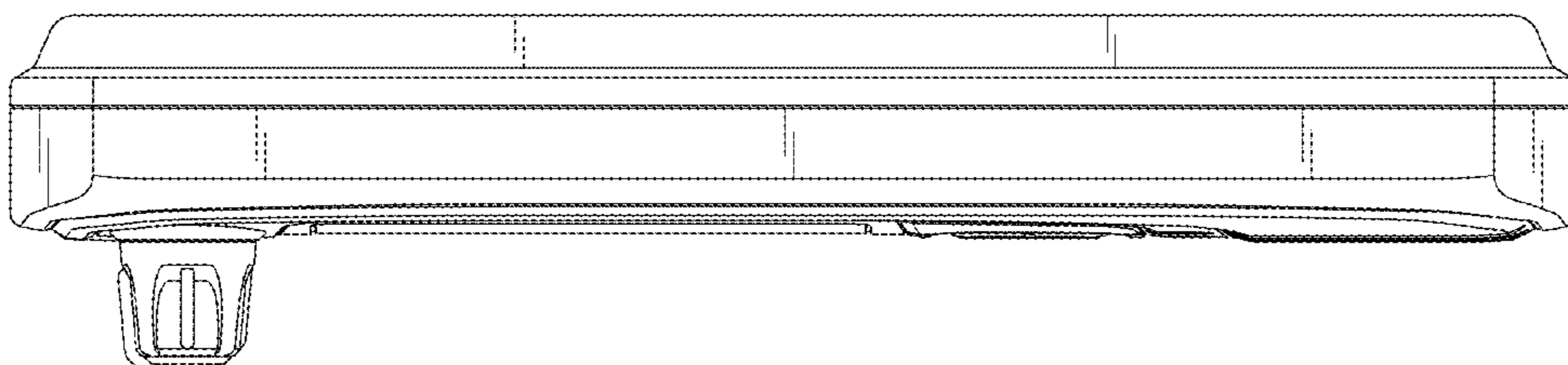


FIG. 6

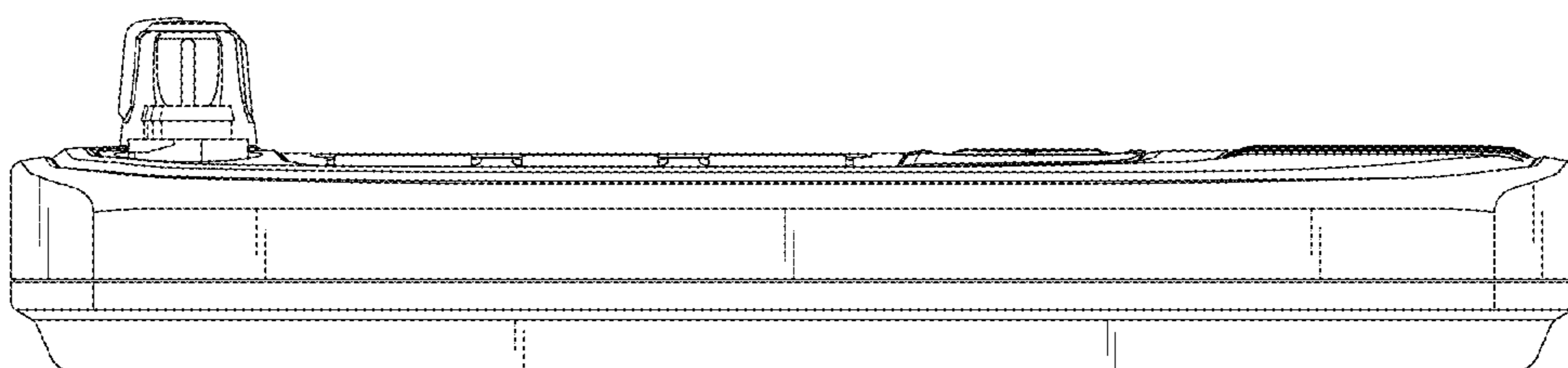


FIG. 7