



US00D771615S

(12) **United States Design Patent** (10) **Patent No.:** **US D771,615 S**
Pignotti (45) **Date of Patent:** **** Nov. 15, 2016**

(54) **PHONE STAND**
(71) Applicant: **Christopher Pignotti**, Phoenix, AZ (US)
(72) Inventor: **Christopher Pignotti**, Phoenix, AZ (US)
(**) Term: **15 Years**
(21) Appl. No.: **29/528,062**
(22) Filed: **May 26, 2015**
(51) **LOC (10) Cl.** **14-03**
(52) **U.S. Cl.**
USPC **D14/253; D6/310**
(58) **Field of Classification Search**
USPC D14/253, 251, 252, 447, 451, 452, 440, D14/434, 458, 432, 439, 457, 460, 238.1, D14/140, 142, 149, 217, 148, 140.8, 140.11, D14/209.1, 151, 140.9, 250, 238; D13/107, D13/108; D12/415, 223, 114, 420, 417, D12/407, 177; D3/218; D16/242-245, 250, D16/237, 203, 214, 219; D8/349; D6/675, D6/672, 673, 675.4, 553, 676, 310, 406.3, D6/406.4, 406.5, 406.6, 407, 567, 300, D6/682.3; 248/459, 460
CPC B60R 2011/0008; B60R 11/02; B60R 11/0241; B60R 11/0258; B60R 11/0252; B60R 2011/0294; F16M 11/00; F16M 11/04; F16M 11/041; F16M 11/02; F16M 11/06; F16M 13/00; H04M 1/02; H04M 1/04; H04M 1/11; H04M 1/12; A47F 7/022; B62J 11/00; H05K 7/00; G03B 17/56
See application file for complete search history.

5,472,098 A * 12/1995 Ho A47B 23/042 211/189
7,185,869 B2 * 3/2007 Smith A47B 23/044 248/456
D557,259 S * 12/2007 Hirsch D14/217
D643,223 S * 8/2011 Harding D6/310
D643,635 S * 8/2011 Harding D6/310
D645,463 S * 9/2011 Kao D14/253
D647,326 S * 10/2011 Kellett D6/682.4
D651,213 S * 12/2011 Magness D14/447
8,424,831 B2 * 4/2013 Lin A47B 23/044 211/42
D688,235 S * 8/2013 Song D14/253
8,950,720 B1 * 2/2015 Carr A47B 23/044 248/454
D723,536 S * 3/2015 Werth D14/253
9,022,341 B2 * 5/2015 Radmard F16M 11/00 211/189
D730,888 S * 6/2015 Malsan D14/253
D754,459 S * 4/2016 Wilton D6/682.3
2005/0121588 A1 * 6/2005 Snuffer A47F 5/112 248/459
2009/0321605 A1 * 12/2009 Petrie F16M 13/00 248/452
2016/0069508 A1 * 3/2016 Haymond F16M 11/38 29/857

* cited by examiner

Primary Examiner — Susan Bennett Hattan
Assistant Examiner — Janice Hallmark
(74) *Attorney, Agent, or Firm* — Venjuris, P.C.

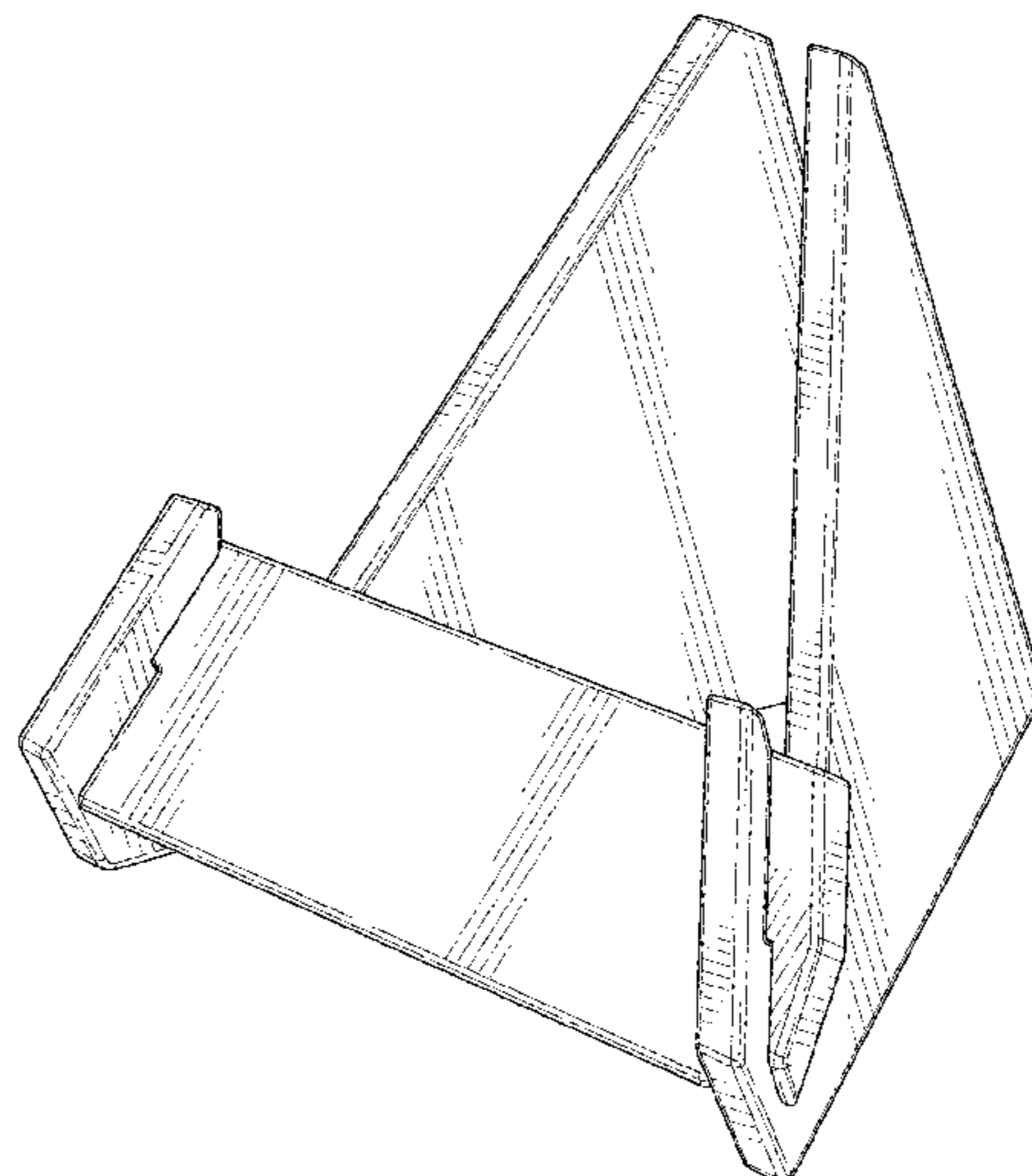
(57) **CLAIM**
The ornamental design for a phone stand, as shown and described.

DESCRIPTION

FIG. 1 is a perspective view of a phone stand;
FIG. 2 is a front view thereof;
FIG. 3 is a back view thereof;
FIG. 4 is a first side view thereof;
FIG. 5 is a second side view thereof;
FIG. 6 is a top view with thereof; and,
FIG. 7 is a bottom view thereof.

1 Claim, 4 Drawing Sheets

(56) **References Cited**
U.S. PATENT DOCUMENTS
3,057,591 A * 10/1962 Weimer G10G 5/00 248/166
D249,953 S * 10/1978 Drake D19/91
D334,479 S * 4/1993 Glick D6/310



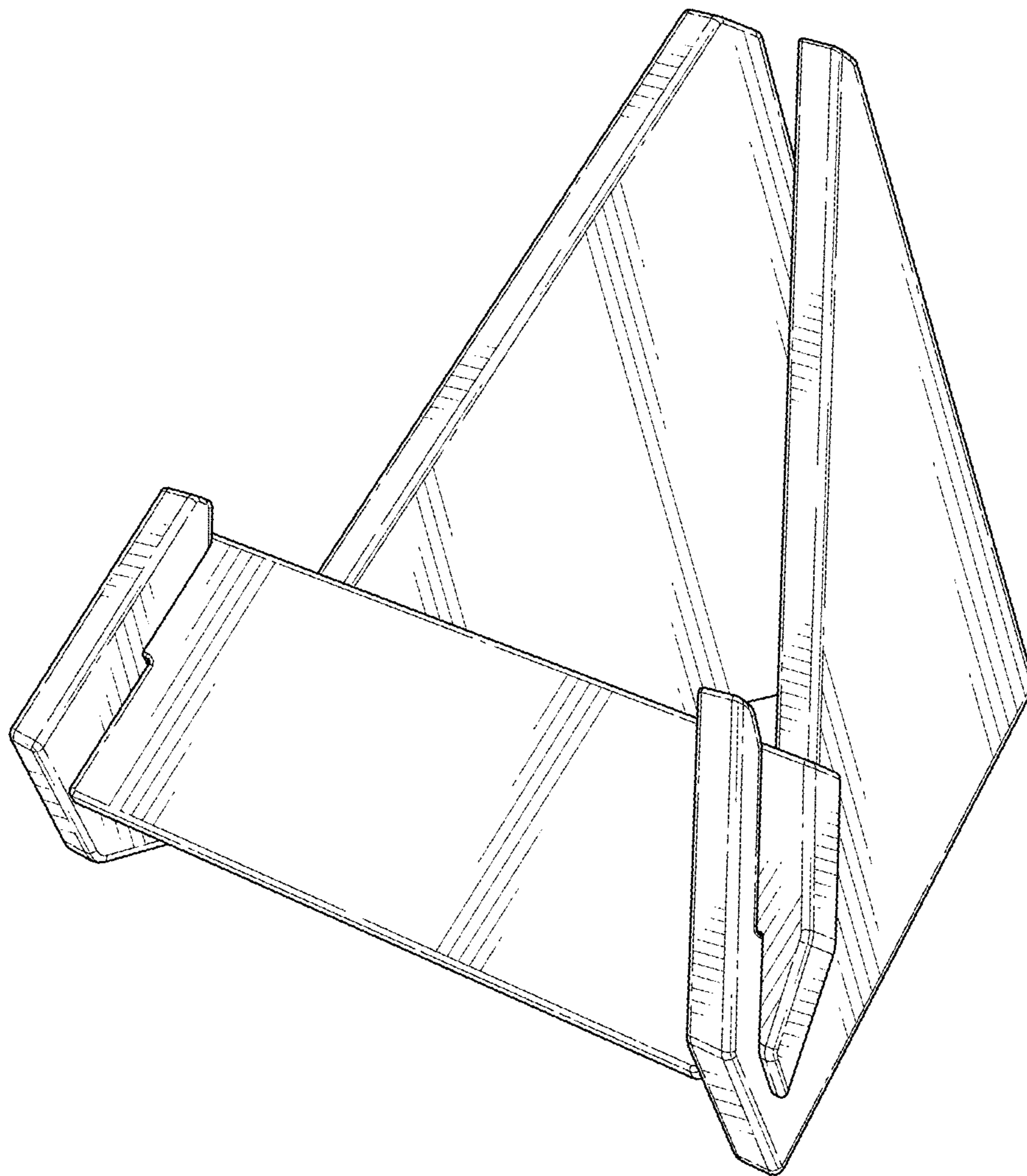


FIG. 1

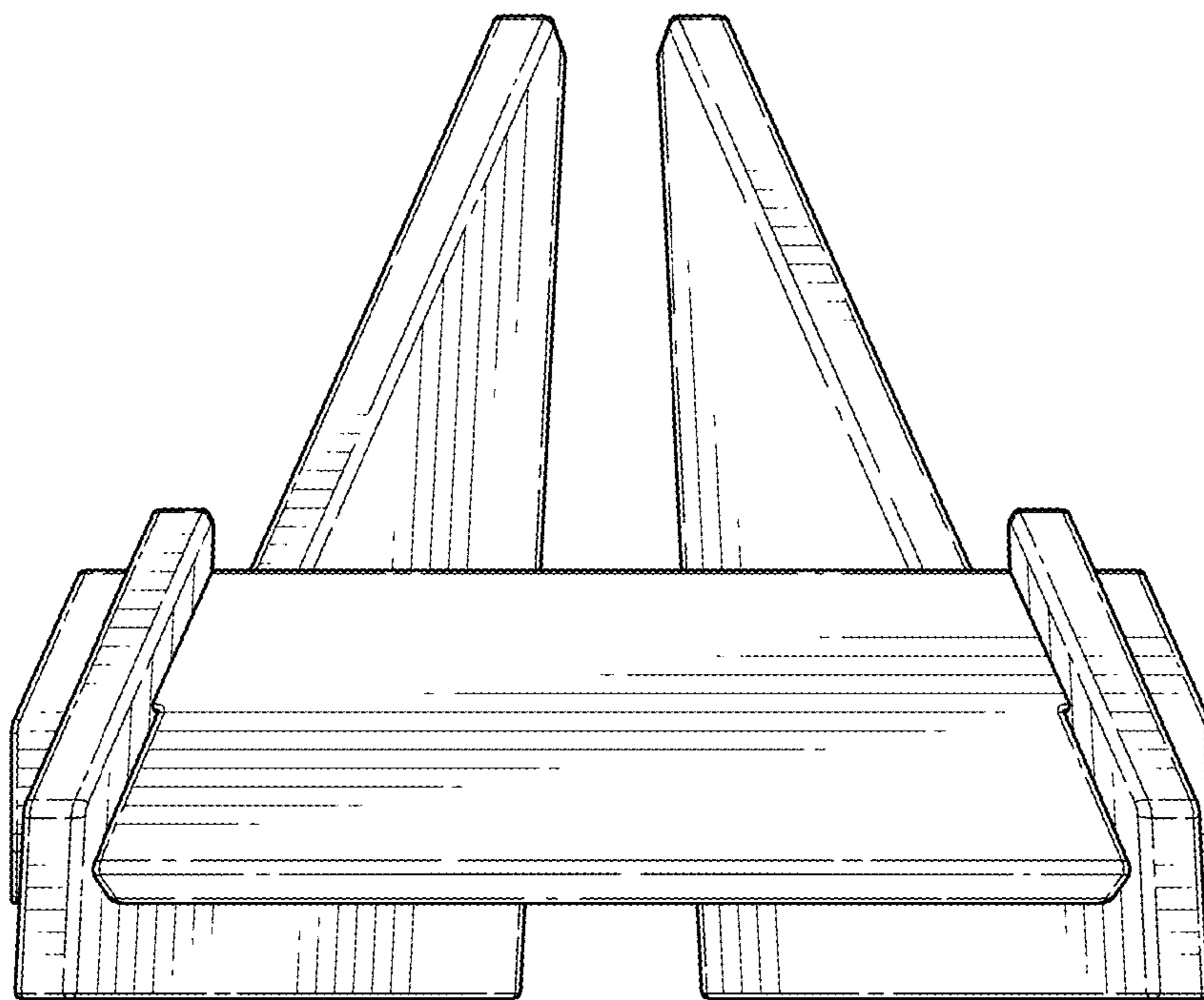


FIG. 2

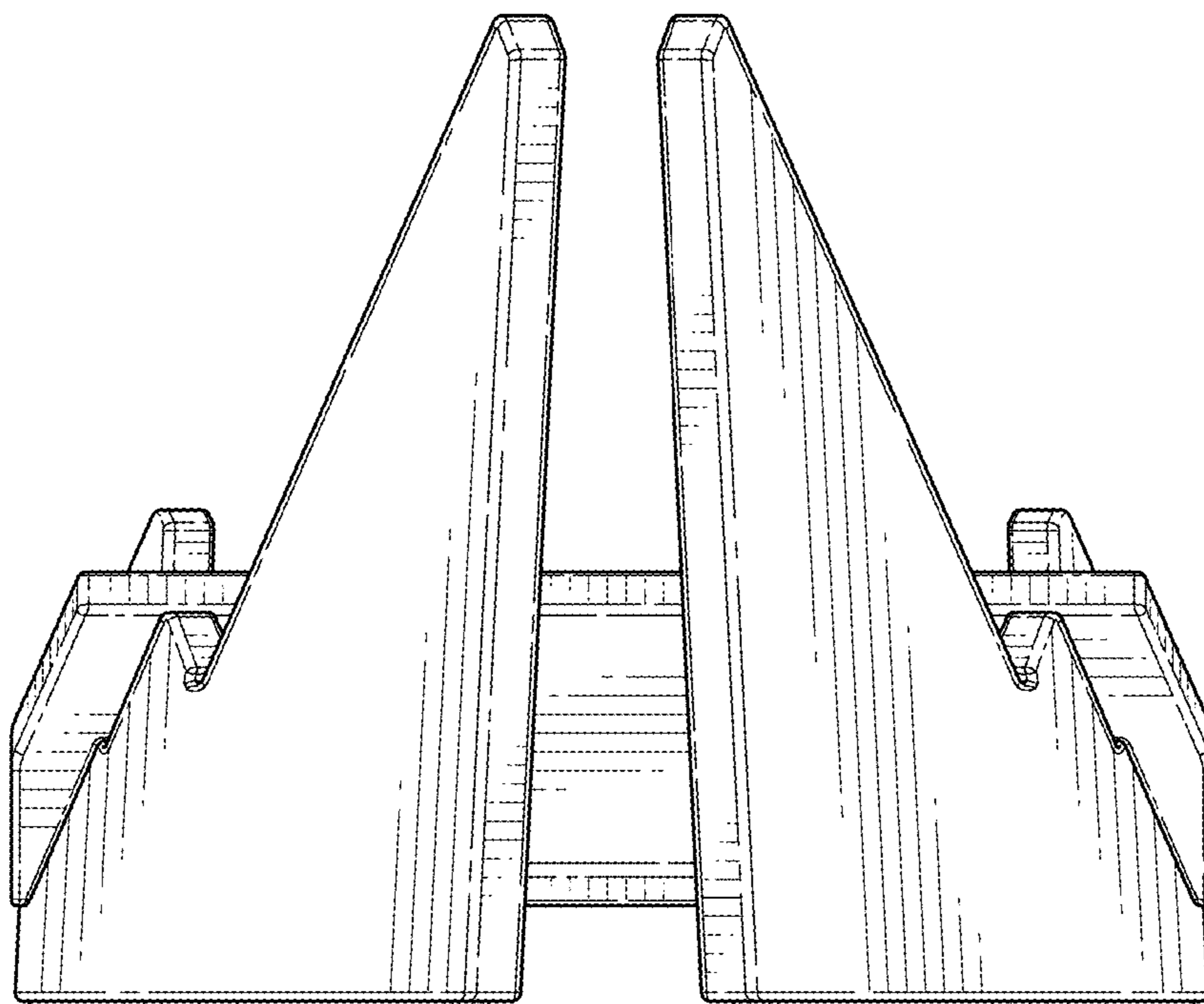


FIG. 3

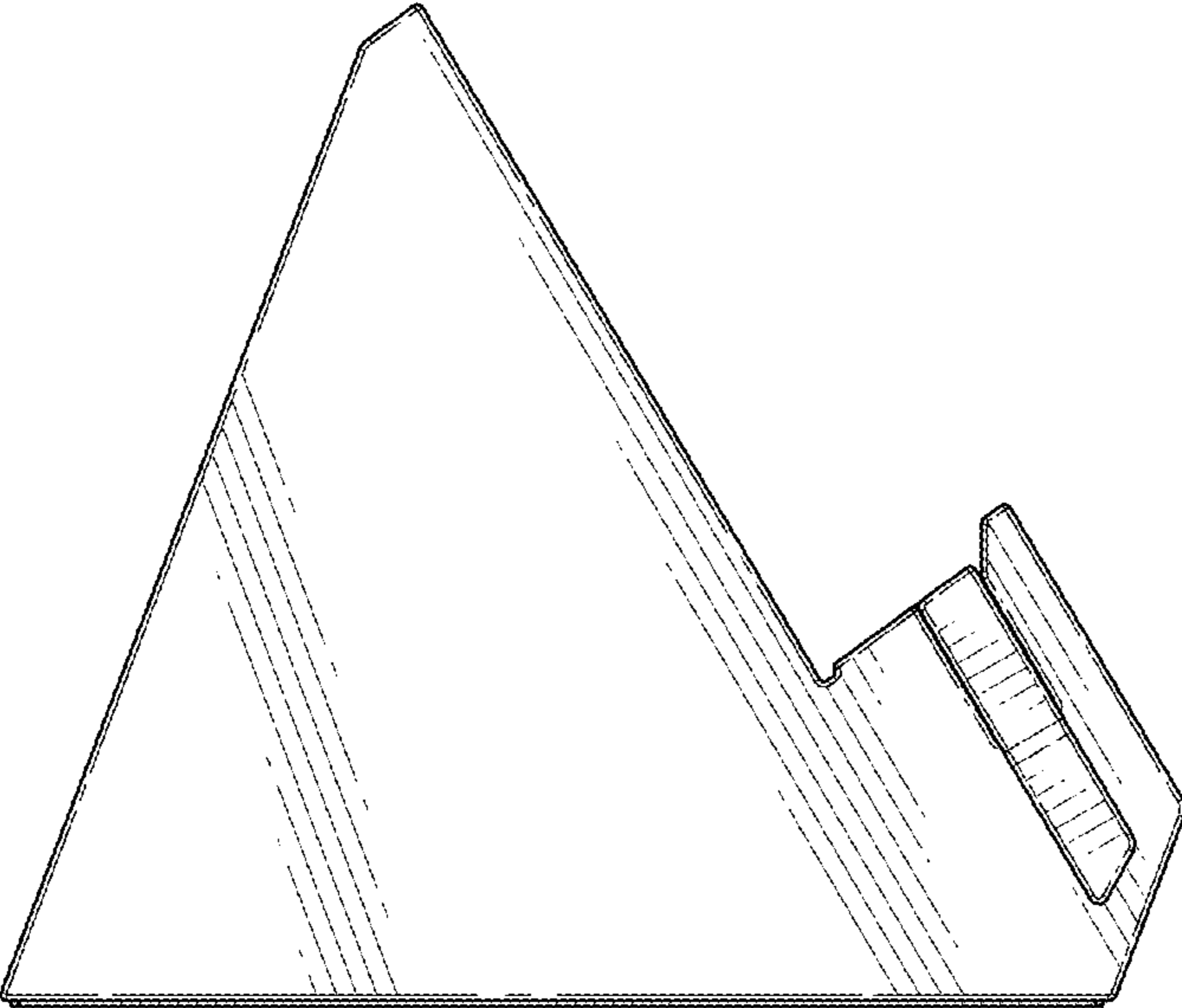


FIG. 4

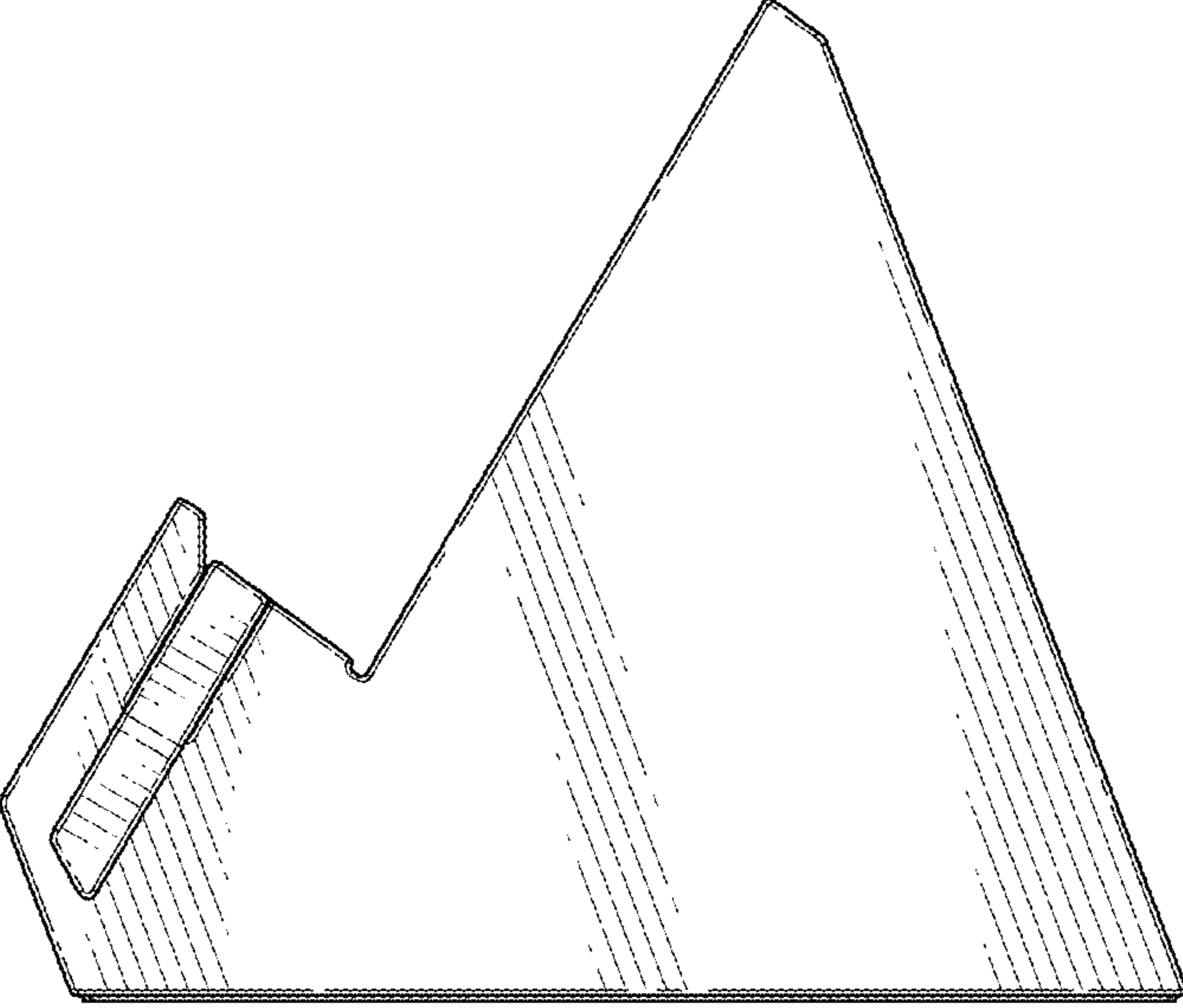


FIG. 5

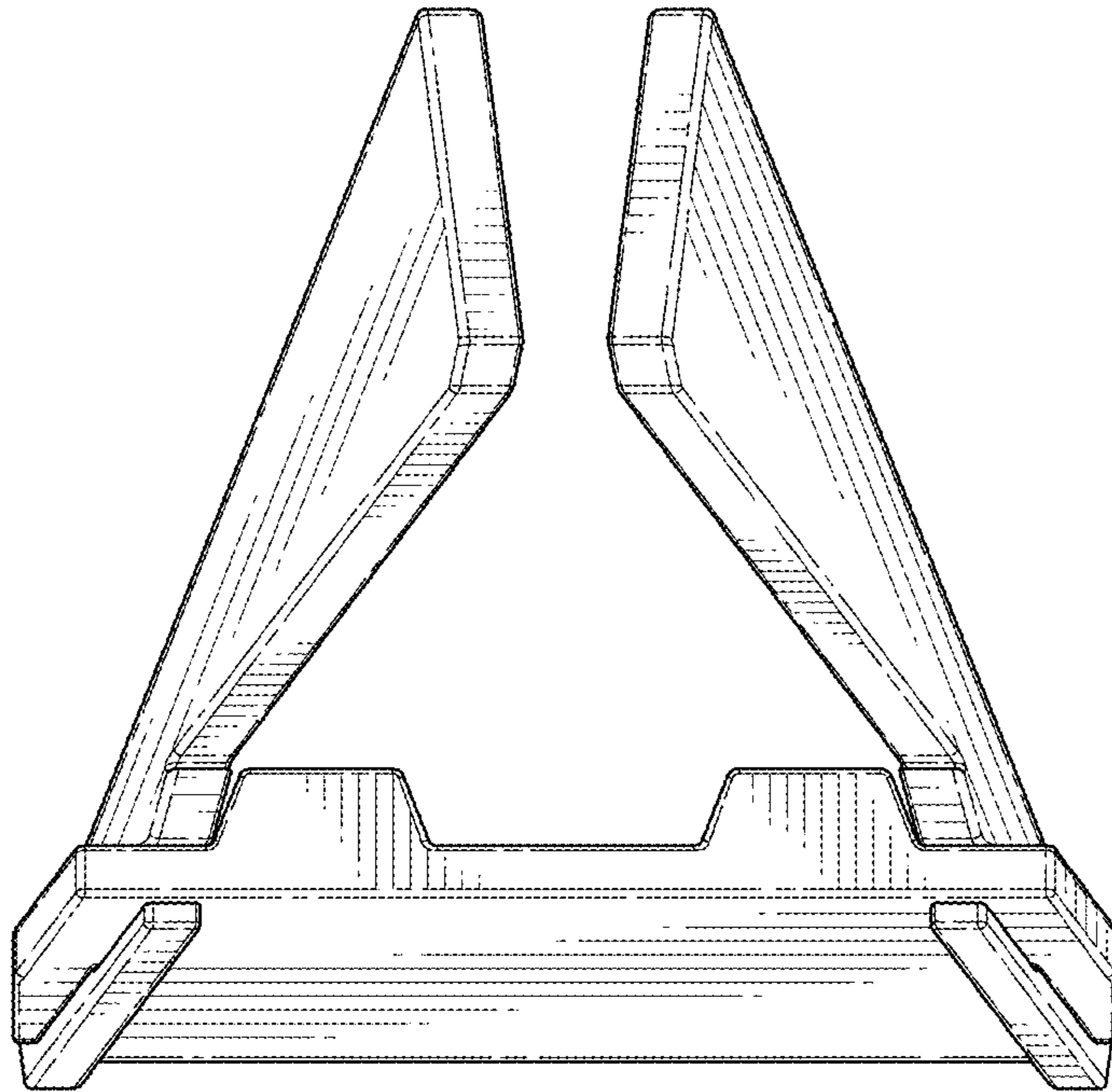


FIG. 6

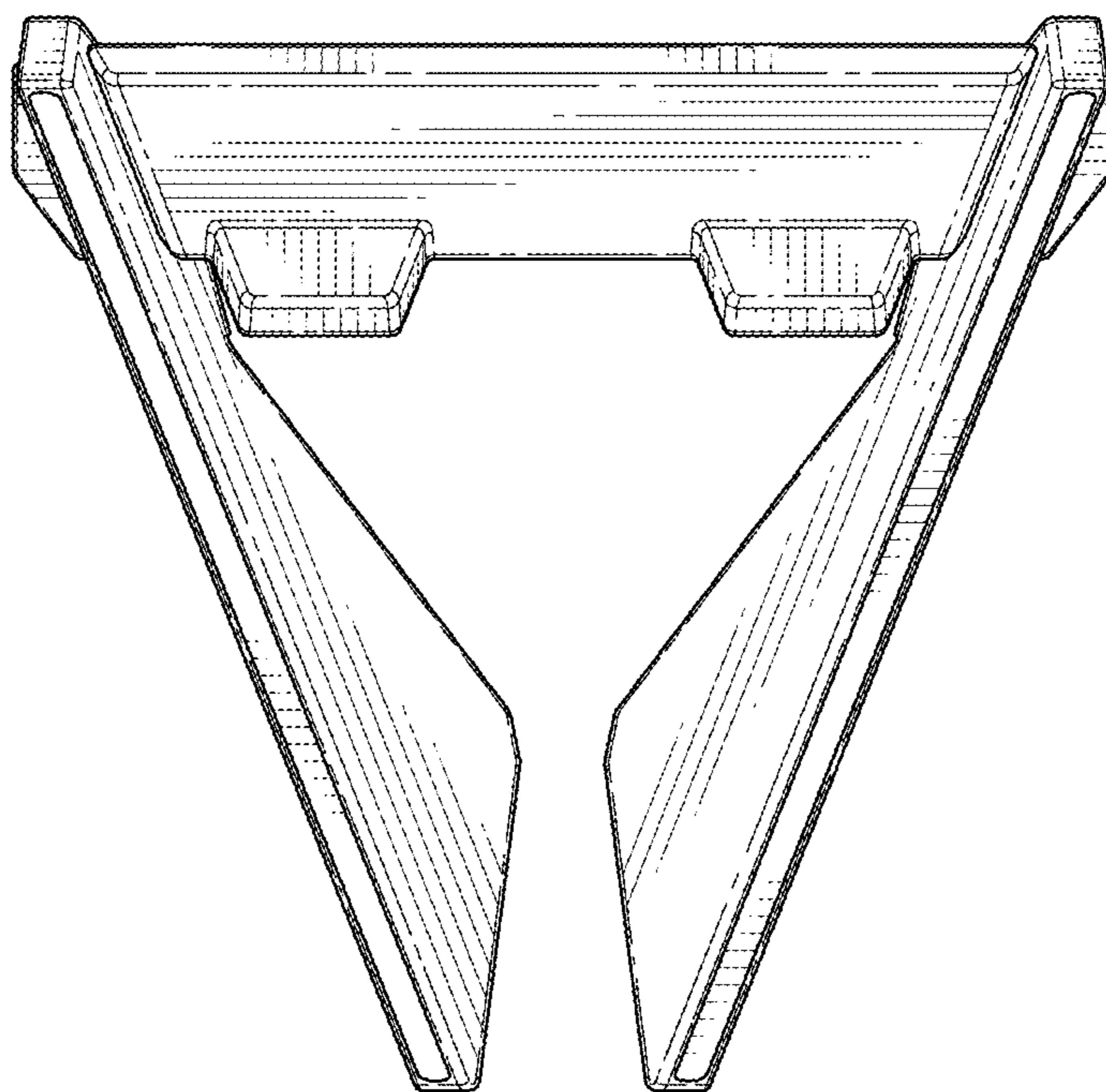


FIG. 7