



US00D771614S

(12) **United States Design Patent**  
**Chang**

(10) **Patent No.:** **US D771,614 S**

(45) **Date of Patent:** **\*\* Nov. 15, 2016**

(54) **HOLDER FOR PORTABLE ELECTRONIC DEVICE**

(71) Applicant: **Taer Innovation Co., Ltd.**, New Taipei (TW)

(72) Inventor: **Cheng-Wen Chang**, New Taipei (TW)

(73) Assignee: **TAER INNOVATION CO., LTD.**, New Taipei (TW)

(\*\*) Term: **15 Years**

(21) Appl. No.: **29/528,032**

(22) Filed: **May 25, 2015**

(30) **Foreign Application Priority Data**

May 4, 2015 (CN) ..... 2015 3 0125987

(51) **LOC (10) Cl.** ..... **14-03**

(52) **U.S. Cl.**  
USPC ..... **D14/253; D14/447**

(58) **Field of Classification Search**  
USPC ..... D14/253, 251, 252, 447, 451, 452, 440, D14/434, 458, 432, 439, 457, 460, 238.1, D14/140, 142, 149, 217, 148, 140.8, 140.11, D14/209.1, 151, 140.9; D13/107, 108; D12/415, 223, 114; D3/218; D16/242-245, 250, 237, 203, 214, D16/219; D6/675, 672, 673, 675.4, 553, D6/676, 310  
CPC ..... B60R 2011/0008; B60R 11/02; B60R 11/0241; B60R 11/0258; B60R 11/0252; B60R 2011/0294; F16M 11/00; F16M 11/04; F16M 11/041; F16M 11/02; F16M 11/06; H04M 1/02; A47F 7/022; B62J 11/00  
See application file for complete search history.

(56) **References Cited**

**U.S. PATENT DOCUMENTS**

D542,279 S \* 5/2007 Chan ..... D14/216  
D625,715 S \* 10/2010 Adams, II ..... D14/253

D692,898 S \* 11/2013 Luijben ..... D14/447  
8,584,996 B2 \* 11/2013 Chung ..... A47B 23/042  
248/149  
D709,065 S \* 7/2014 Guyot ..... D14/253  
D711,366 S \* 8/2014 Lui ..... D14/253  
D719,146 S \* 12/2014 Herbst ..... D14/253  
D723,021 S \* 2/2015 Guyot ..... D14/253

(Continued)

*Primary Examiner* — Susan Bennett Hattan

*Assistant Examiner* — Janice Hallmark

(74) *Attorney, Agent, or Firm* — Li & Cai Intellectual Property (USA) Office

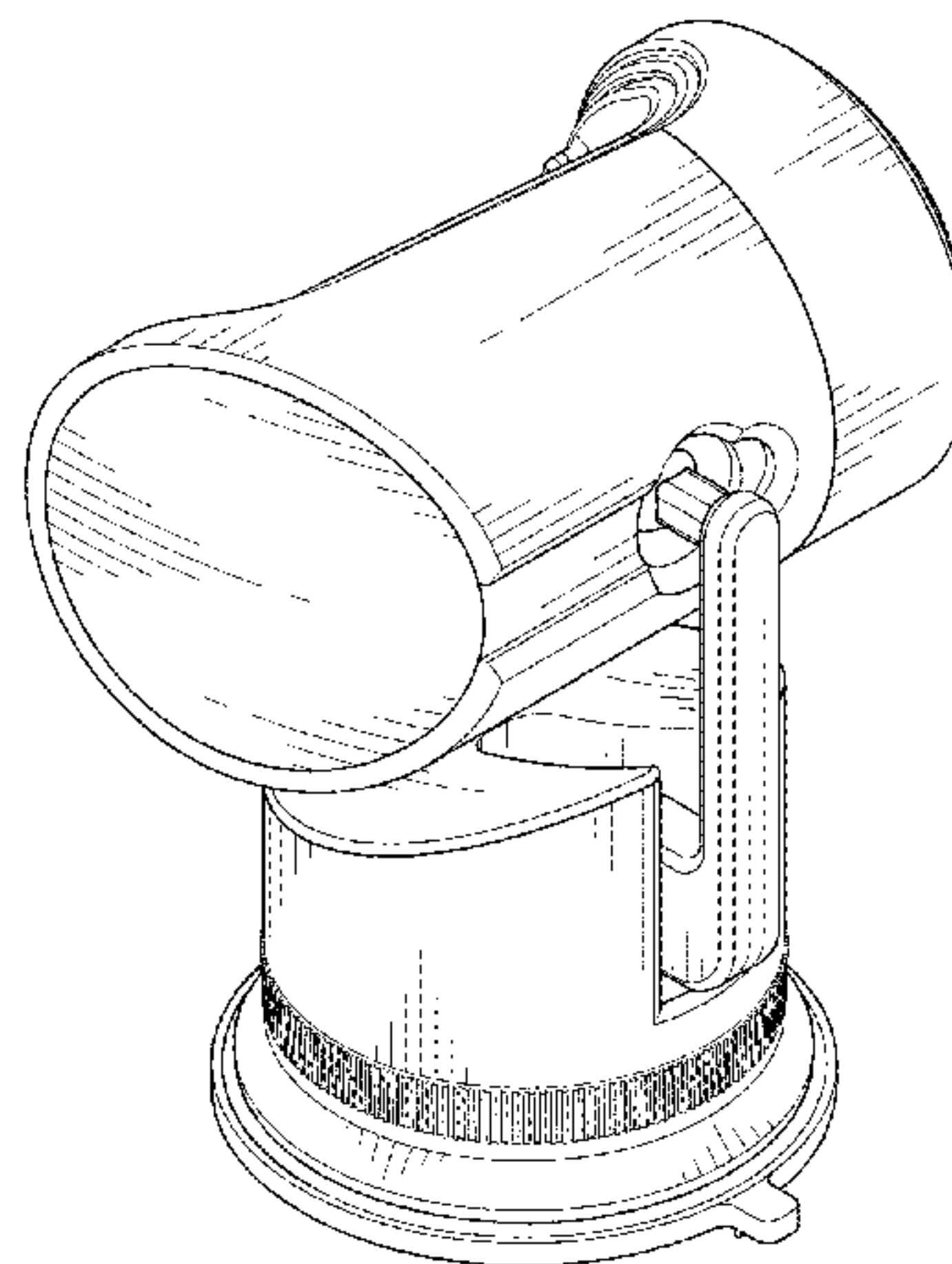
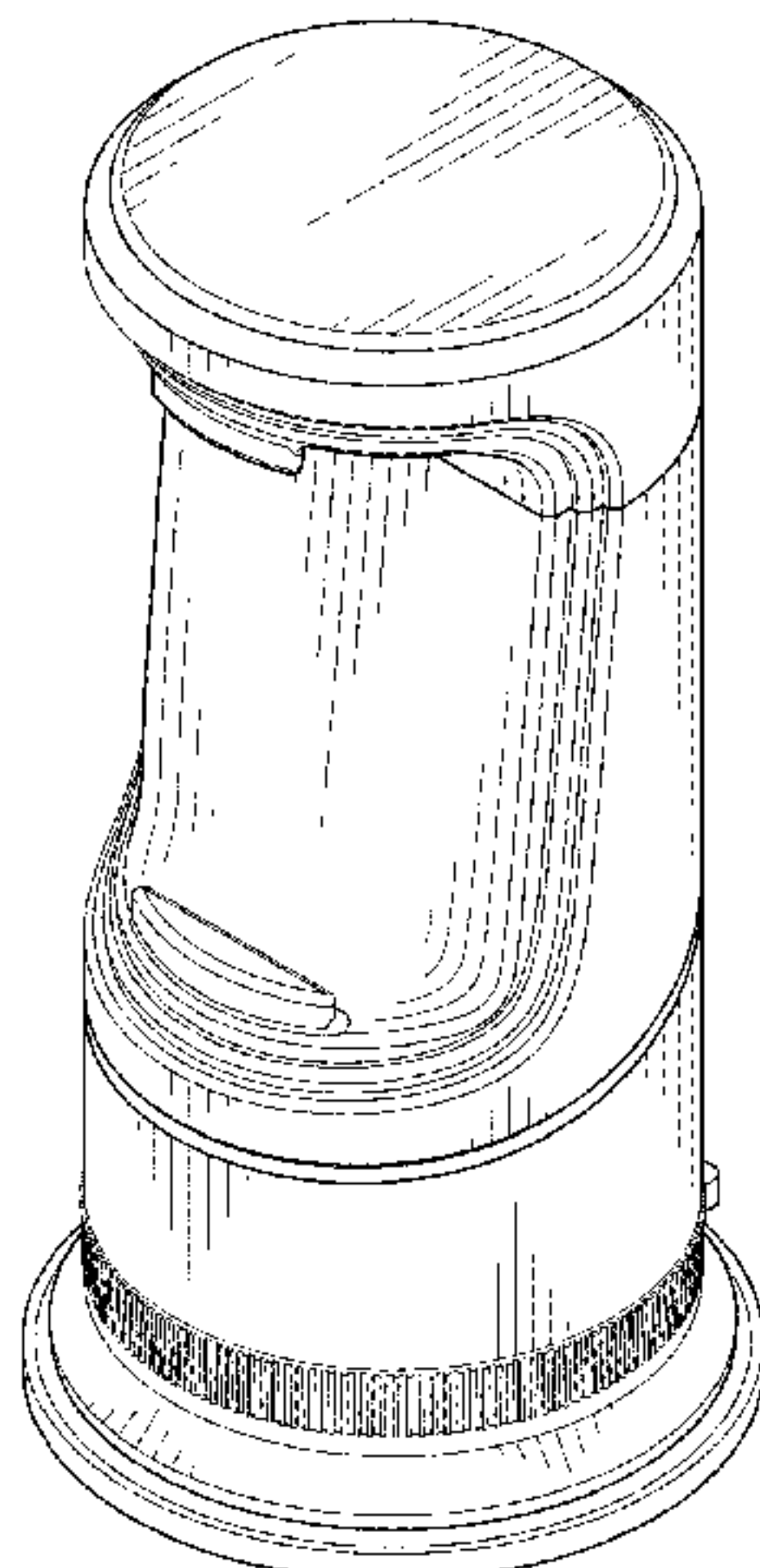
(57) **CLAIM**

The ornamental design for a “holder for portable electronic device,” as shown and described.

**DESCRIPTION**

FIG. 1 is a perspective view of a holder for portable electronic device showing our new design;  
FIG. 2 is a front view thereof;  
FIG. 3 is a rear view thereof;  
FIG. 4 is a left side view thereof;  
FIG. 5 is a right side view thereof;  
FIG. 6 is a top view thereof;  
FIG. 7 is a bottom view thereof;  
FIG. 8 is a perspective view viewed from another visual angle thereof;  
FIG. 9 is a perspective view thereof, showing the holder for portable electronic device in a state of use for clarity of disclosure;  
FIG. 10 is another perspective view thereof;  
FIG. 11 is another perspective view thereof, showing the holder for portable electronic device in an alternate state of use for clarity of disclosure;  
FIG. 12 is left side view thereof, showing the holder for portable electronic device in a state of use with an object for clarity of disclosure; and,  
FIG. 13 is another perspective view thereof.  
The broken lines in the drawings depict environmental subject matter that forms no part of the claimed design.

**1 Claim, 12 Drawing Sheets**



(56)

**References Cited**

U.S. PATENT DOCUMENTS

D728,576 S \* 5/2015 David ..... D14/434  
D728,663 S \* 5/2015 Russell ..... D14/253  
D736,210 S \* 8/2015 Paradise ..... D14/434  
D746,807 S \* 1/2016 McGarry ..... D14/253  
D748,616 S \* 2/2016 Noble ..... D14/253

9,338,903 B1 \* 5/2016 Loscalzo ..... A47B 23/042  
2009/0075693 A1 \* 3/2009 So ..... H04M 1/04  
455/556.1  
2014/0135062 A1 \* 5/2014 Bevirt ..... H04M 1/04  
455/556.1  
2015/0275943 A1 \* 10/2015 Chang ..... F16B 2/12  
248/205.8

\* cited by examiner

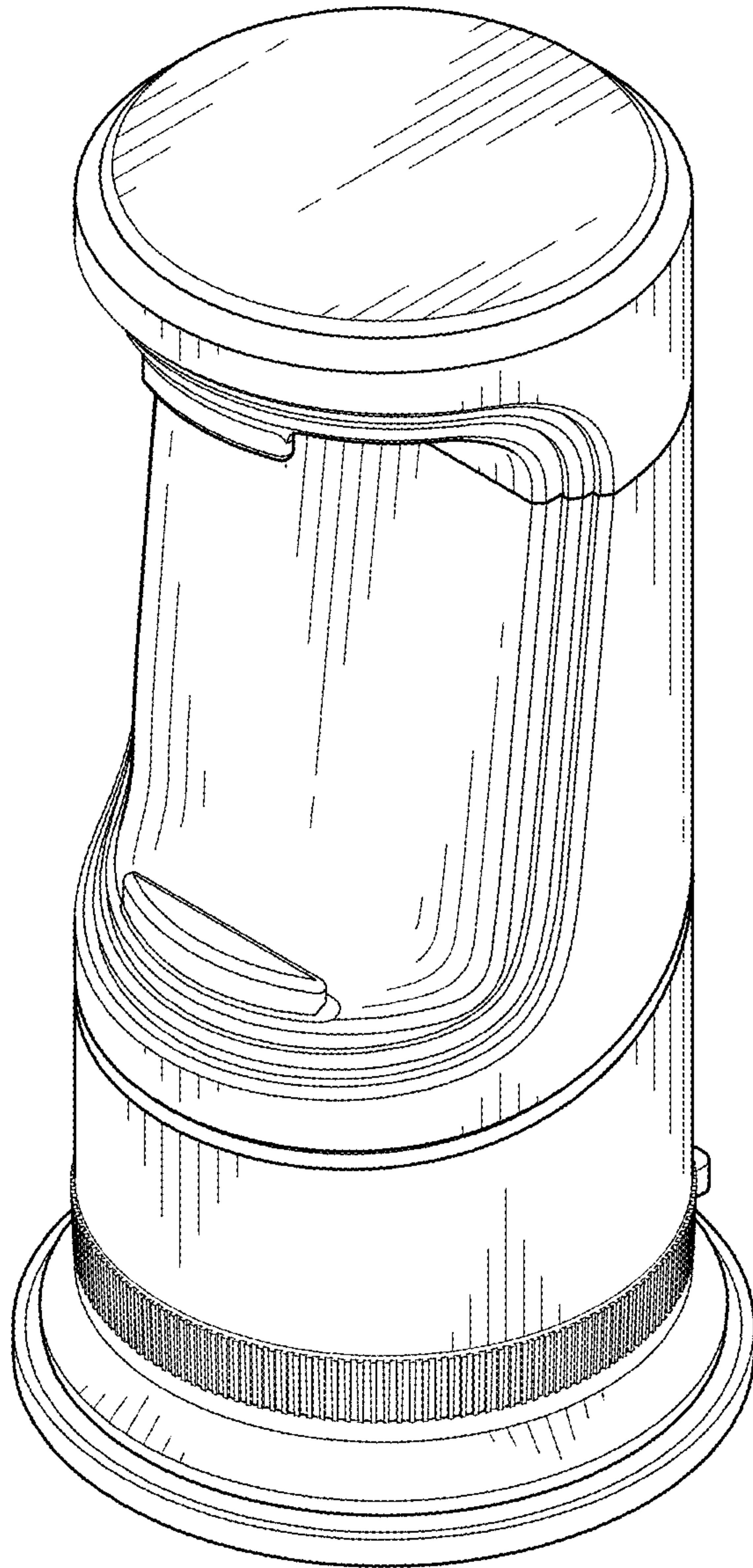


FIG.1

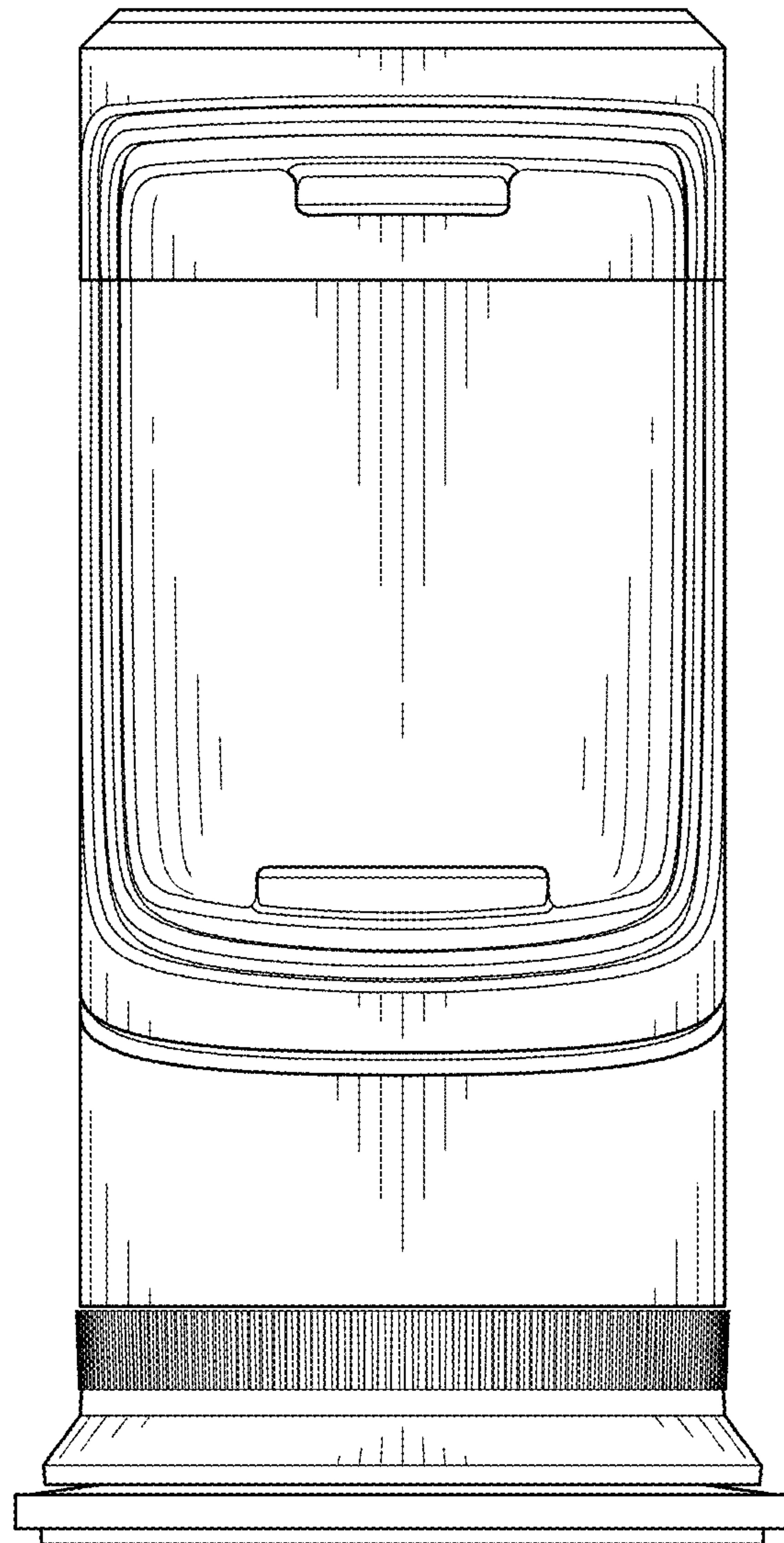


FIG. 2



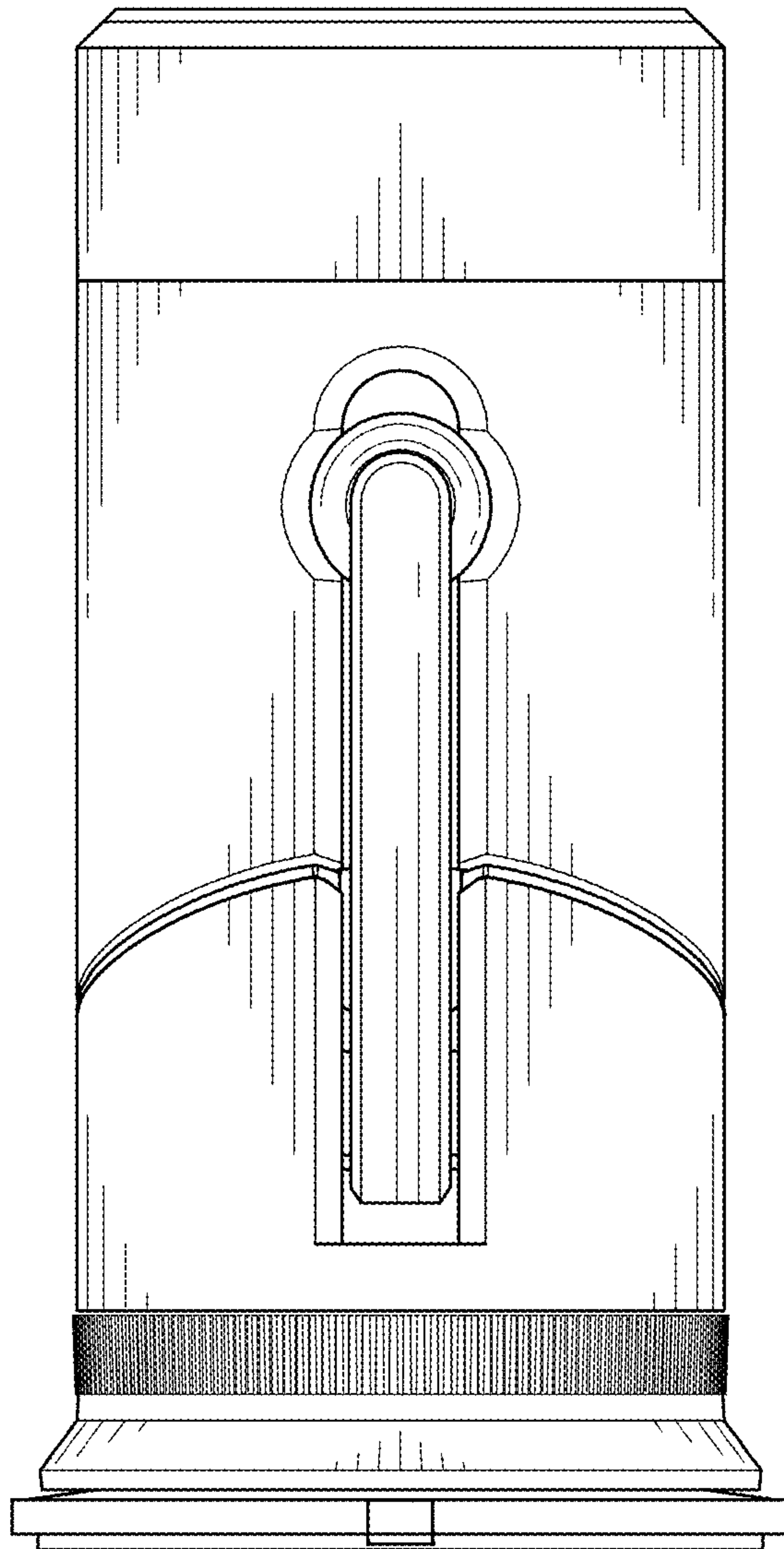


FIG.3

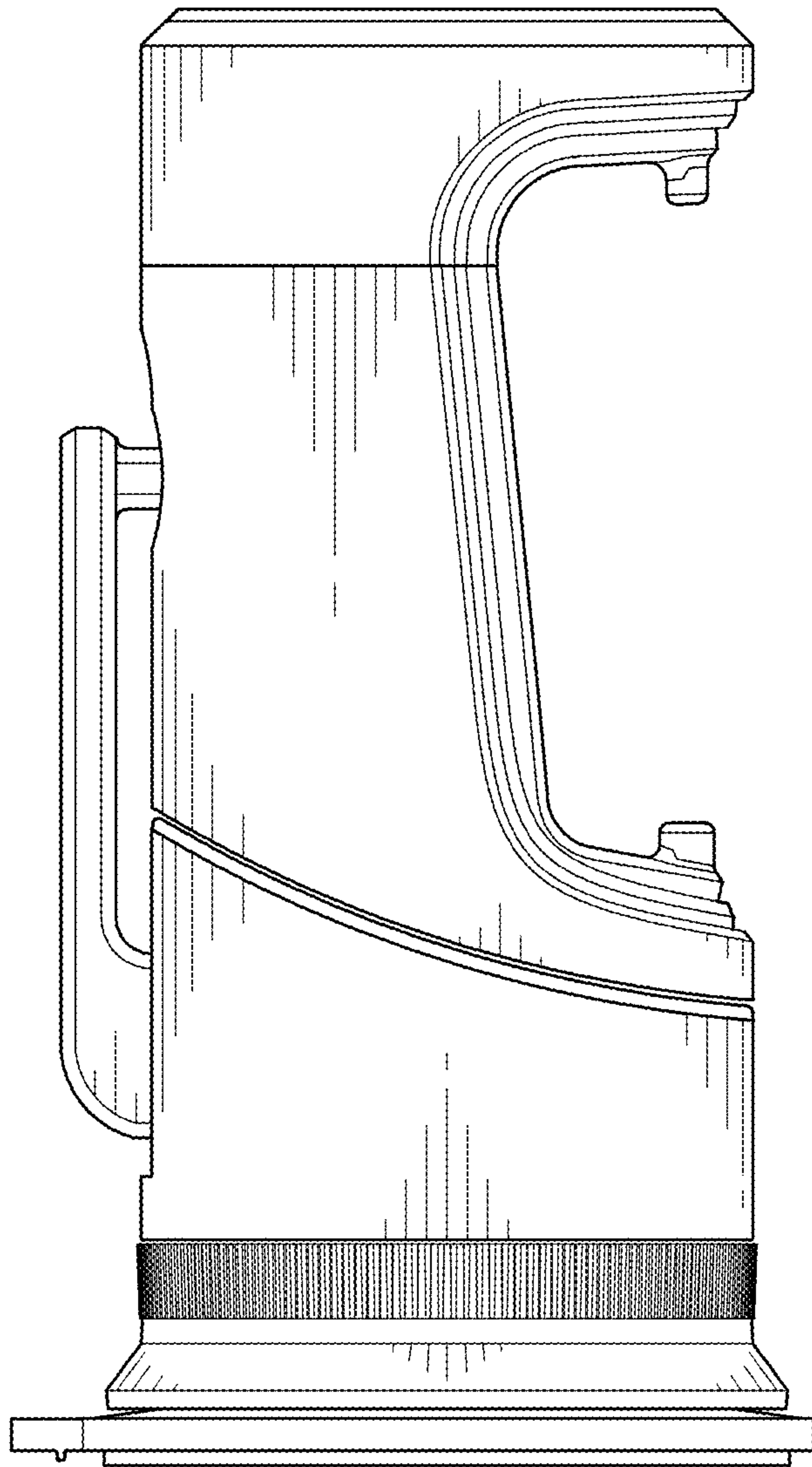


FIG.4

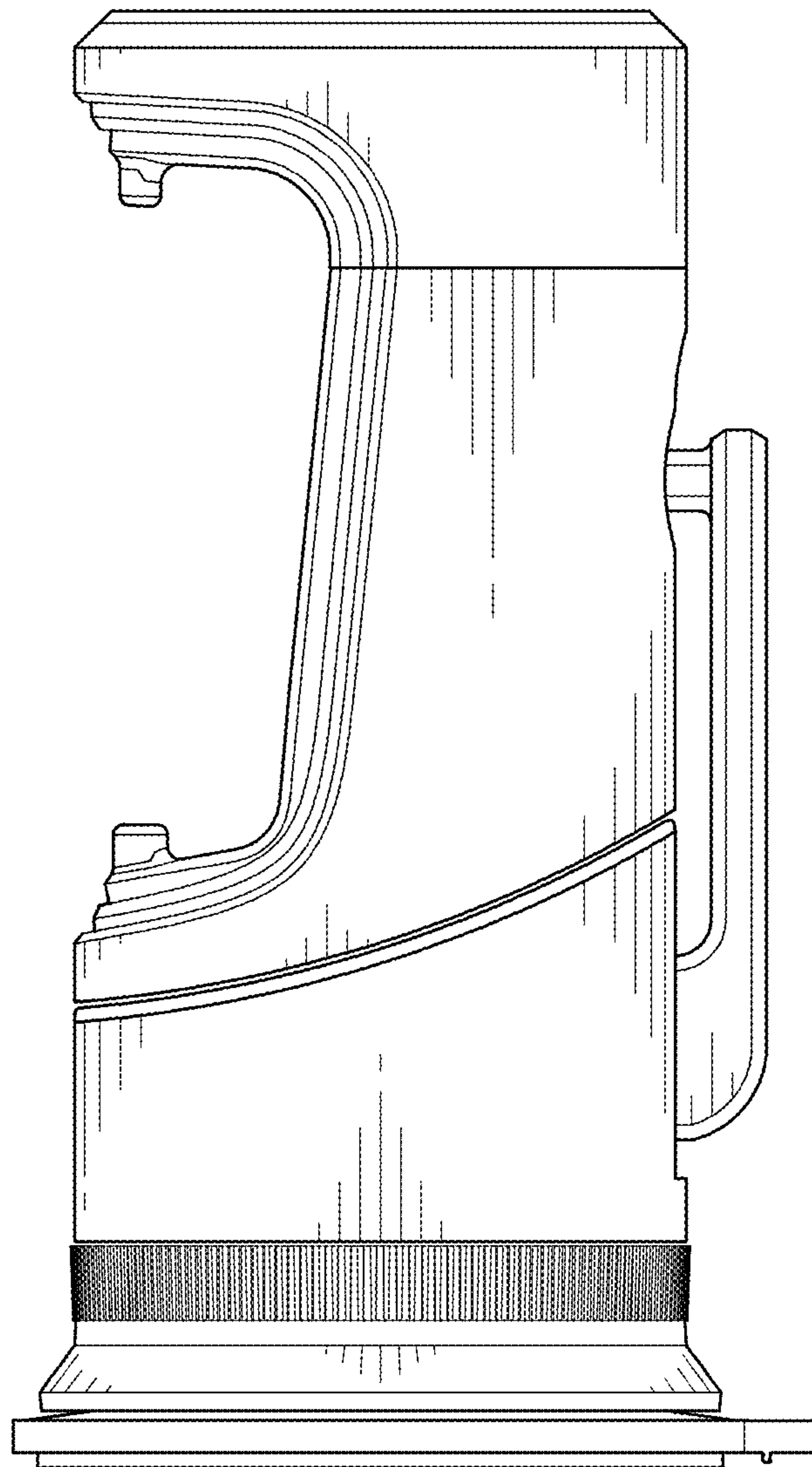


FIG.5

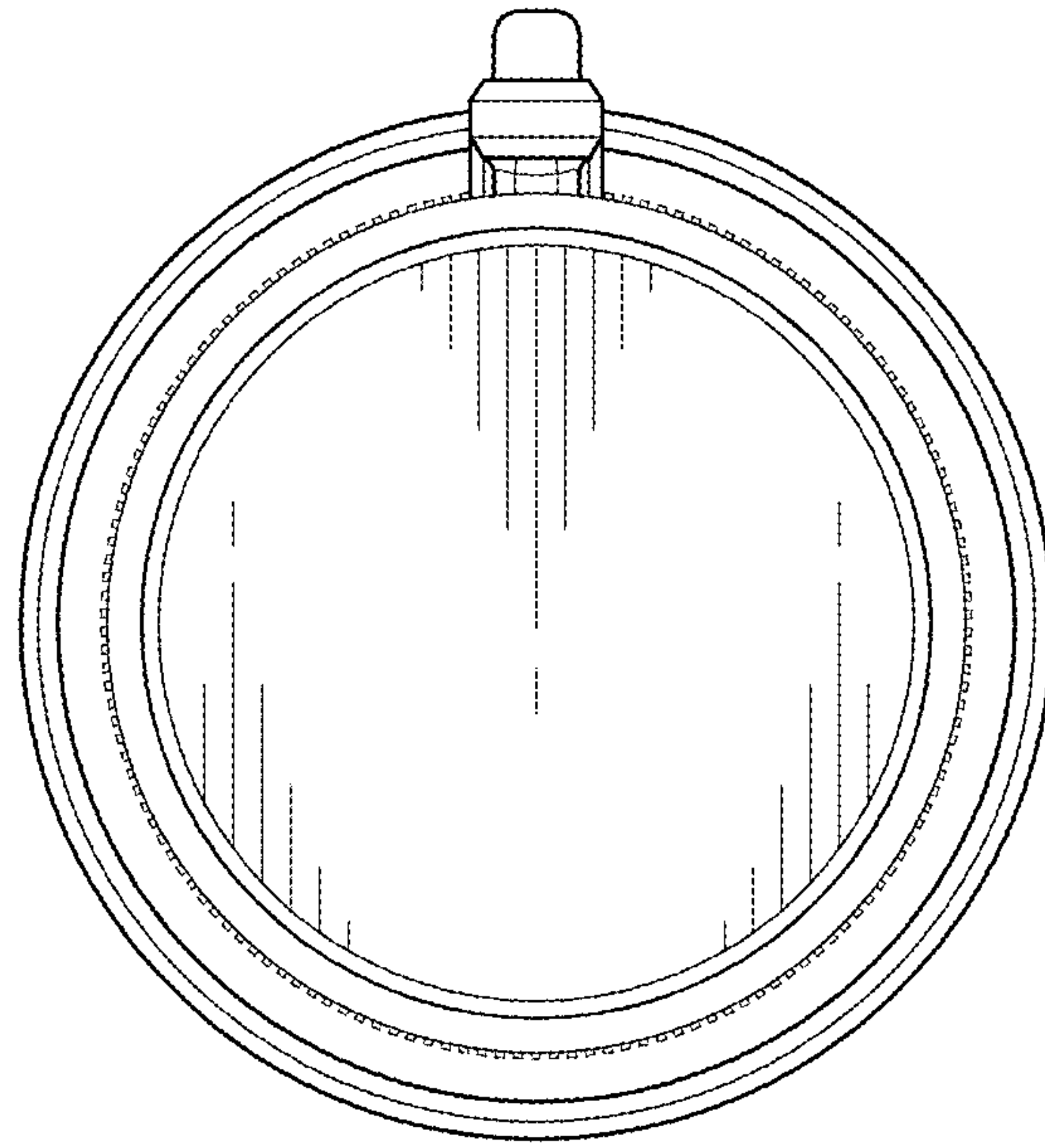


FIG. 6

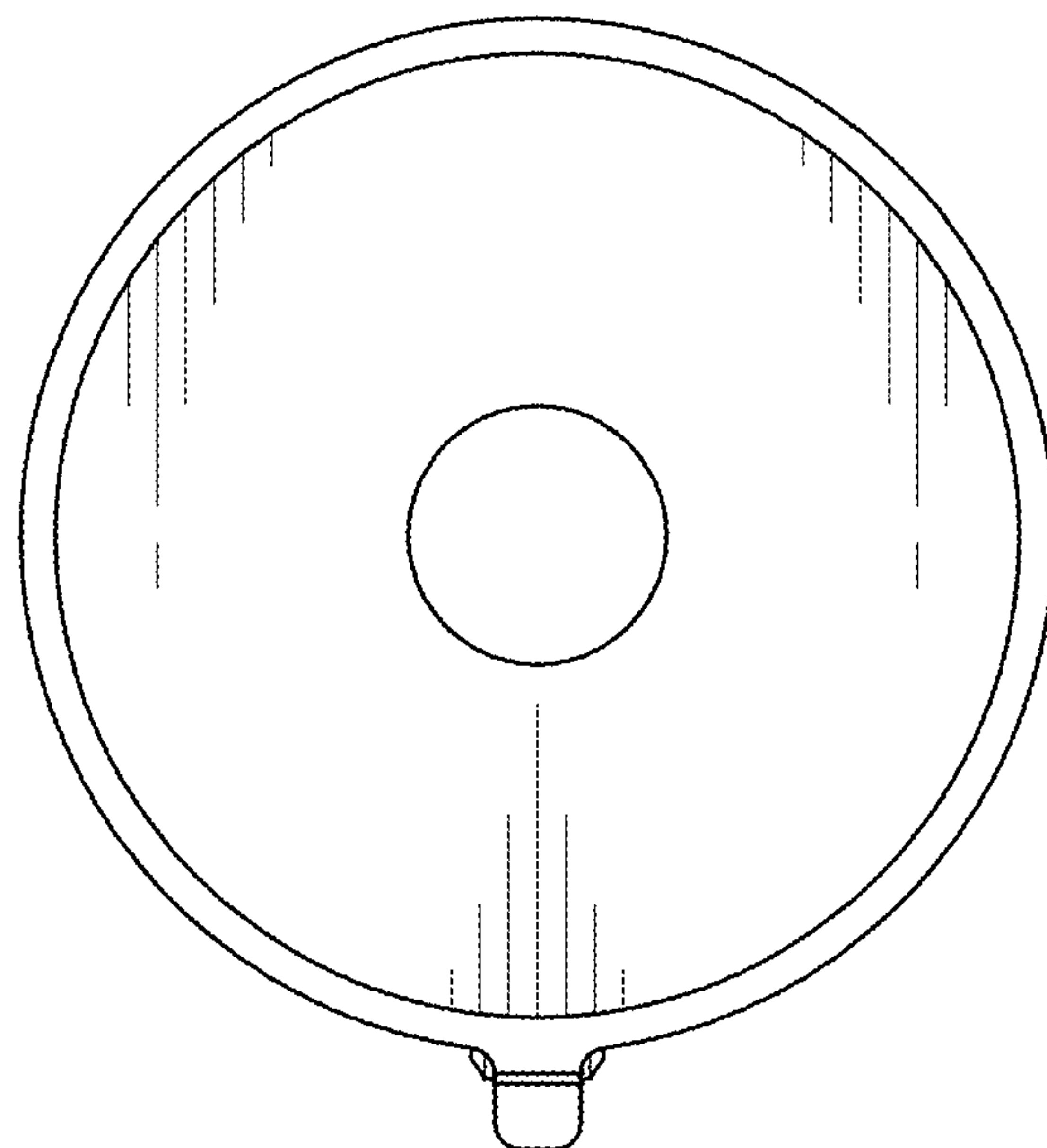


FIG. 7



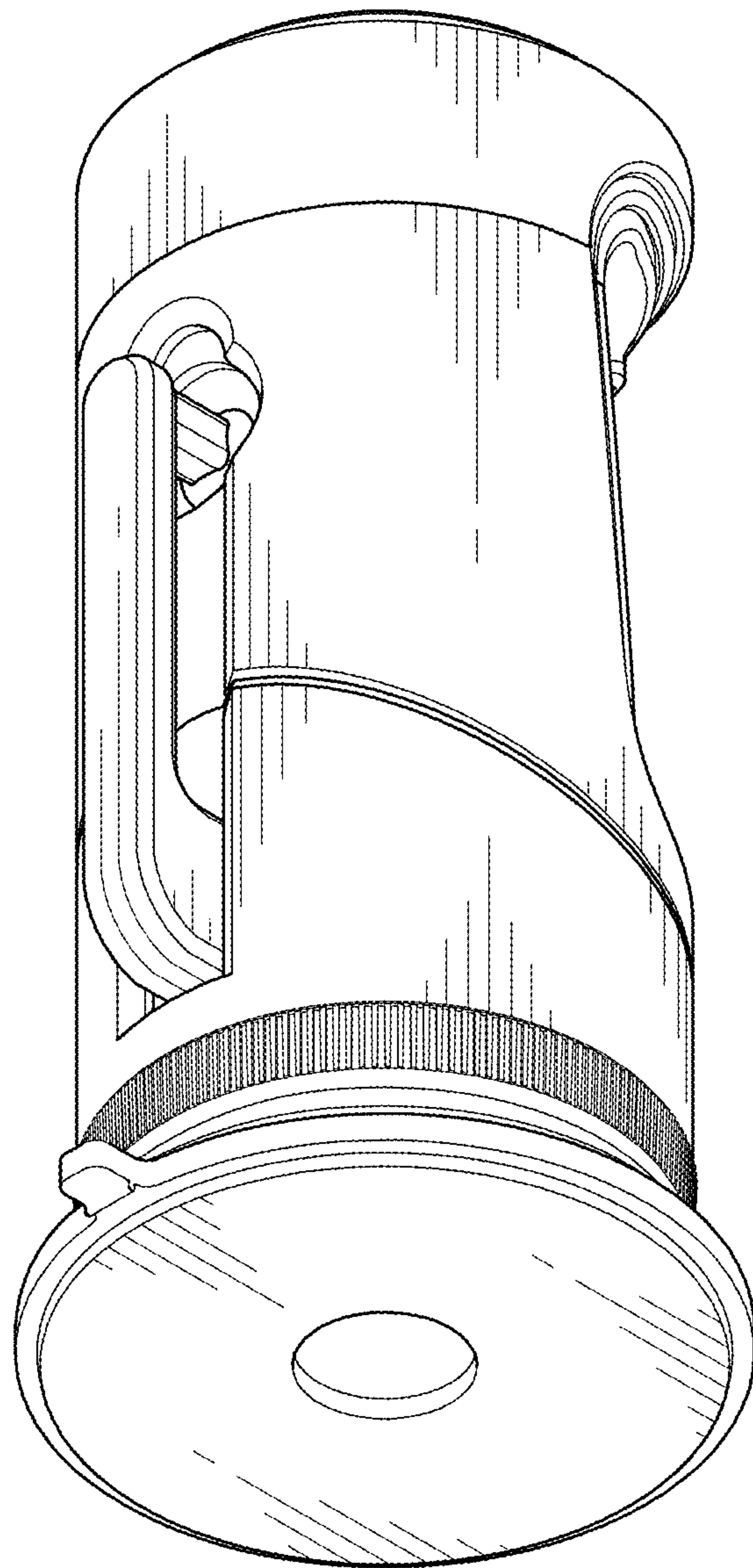


FIG.8

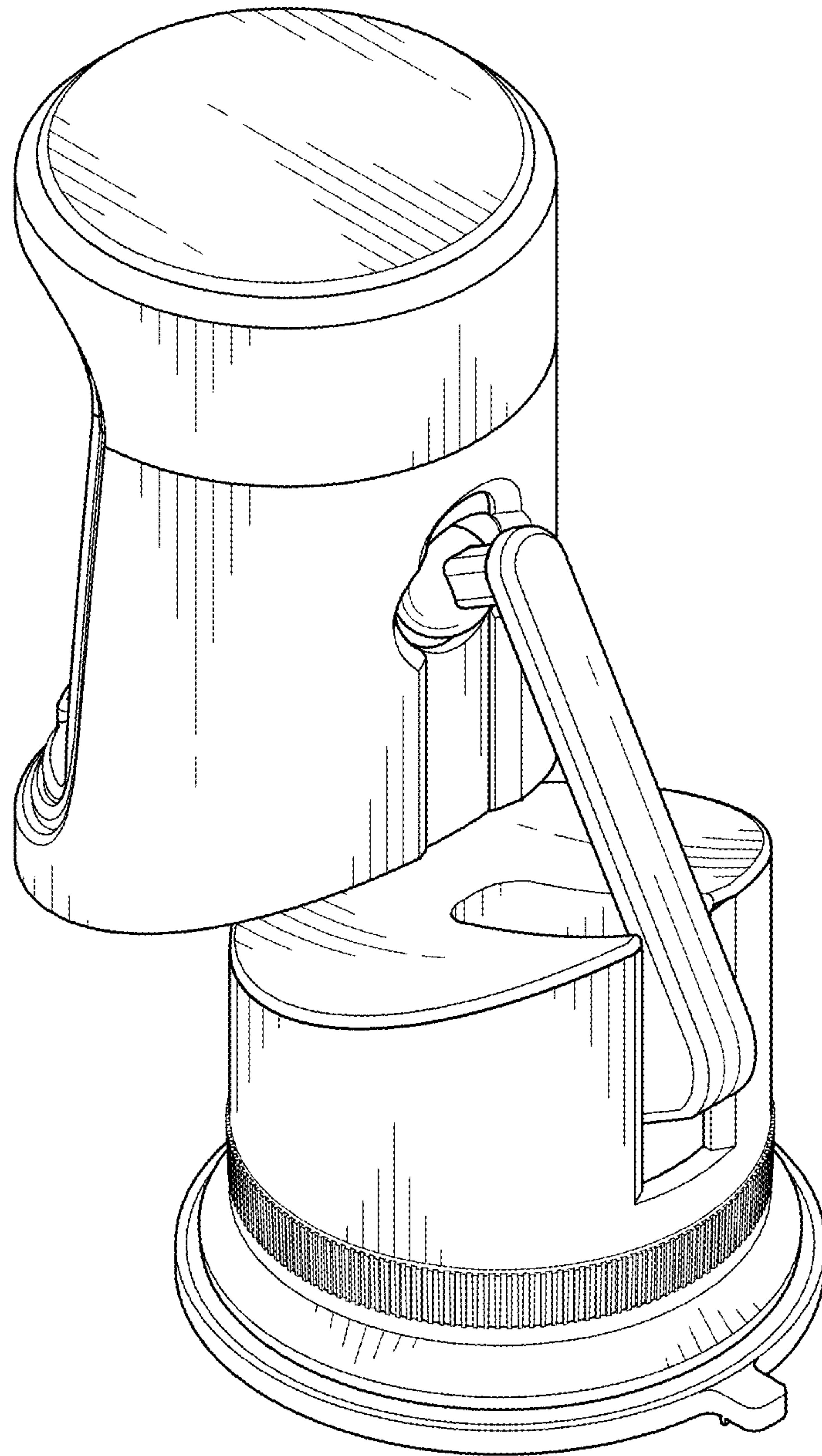


FIG.9

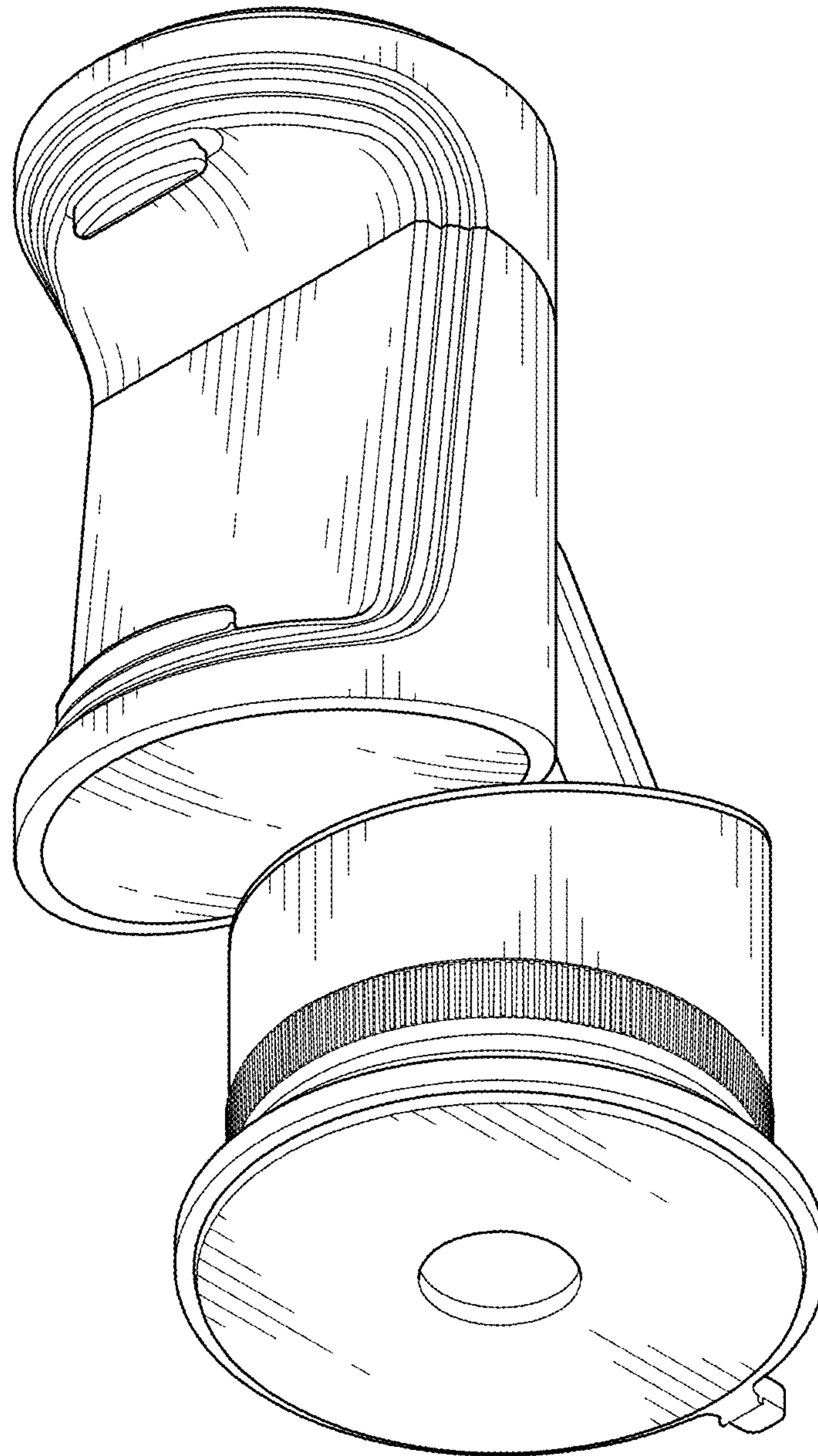


FIG.10

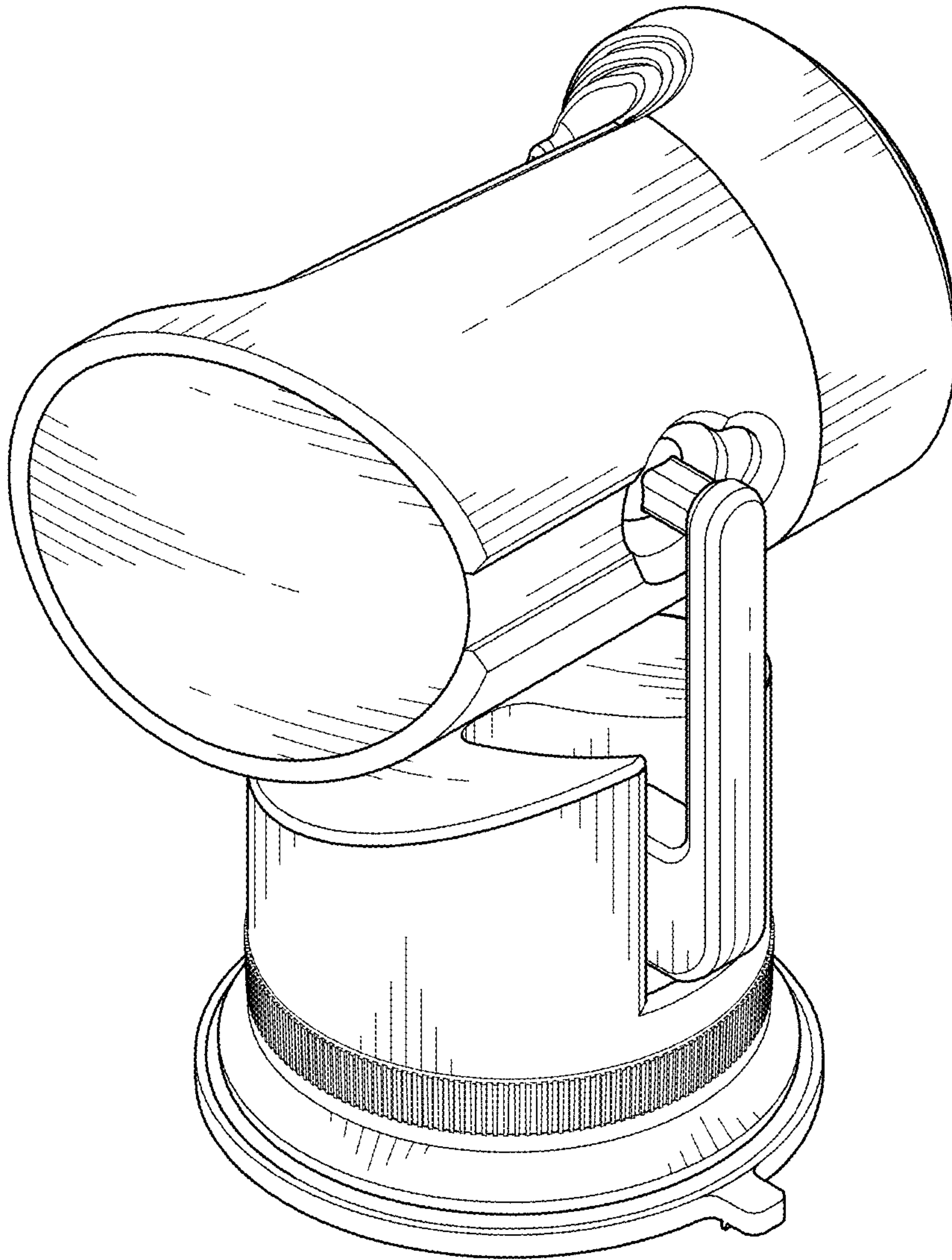


FIG.11

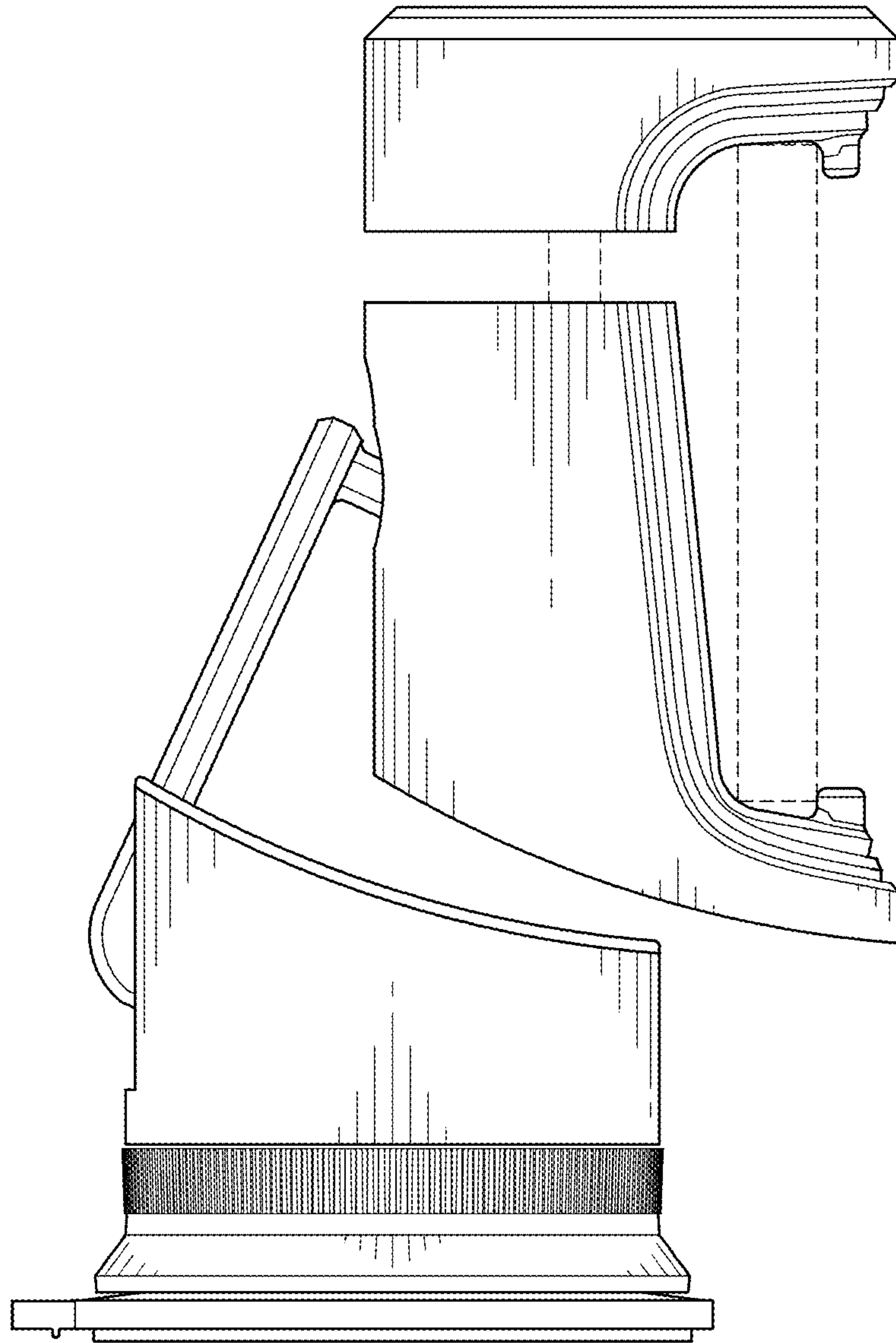


FIG.12



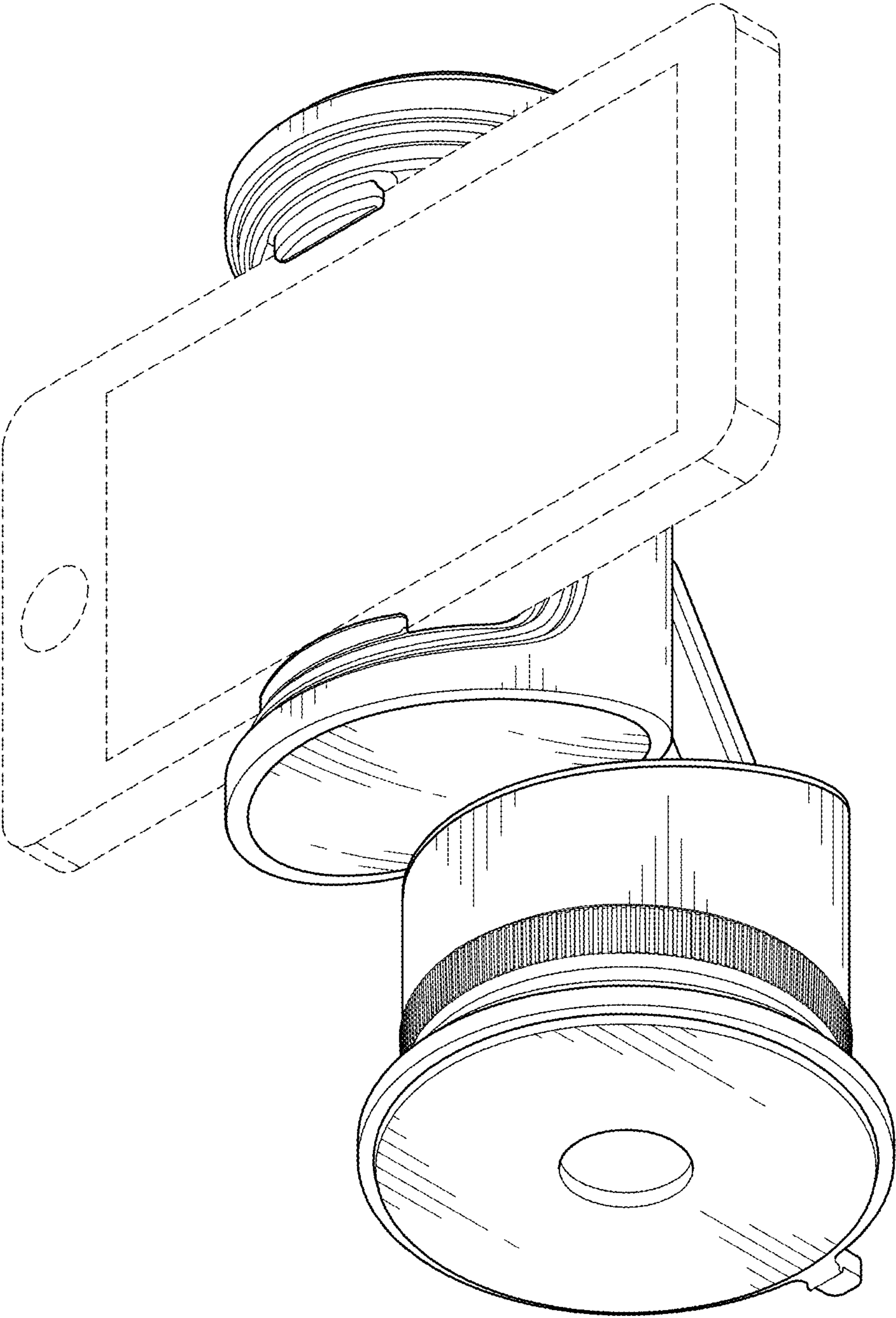


FIG.13