



US00D771608S

(12) **United States Design Patent** (10) **Patent No.:** **US D771,608 S**
Kim et al. (45) **Date of Patent:** **** Nov. 15, 2016**

(54) **CASE FOR ELECTRONIC DEVICE**

(71) Applicants: **Dae-Young Kim**, Seoul (KR); **Soo Ha Jung**, Seoul (KR)

(72) Inventors: **Dae-Young Kim**, Seoul (KR); **Soo Ha Jung**, Seoul (KR)

(73) Assignee: **SPIGEN KOREA CO., LTD.**, Geumcheon-Gu, Seoul (KR)

(**) Term: **14 Years**

(21) Appl. No.: **29/497,570**

(22) Filed: **Jul. 25, 2014**

(51) **LOC (10) Cl.** **14-03**

(52) **U.S. Cl.**
USPC **D14/250**

(58) **Field of Classification Search**
USPC D14/250-253, 440, 203.3-203.7, 217, D14/496, 248, 238.1, 240, 447, 230, 247, D14/341, 345, 346, 439; D3/201, 218, 269, D3/301, 273, 303; D13/103, 107-108; 220/4.02; 248/309.1; 361/679.56; 379/426, 433.11, 455; 455/575.1, 455/575.8; 190/100; 206/305, 320
CPC A45C 2011/002; A45C 11/00; A45C 13/002; A45C 2011/003; H04M 1/0283; H04M 1/0202; H04M 1/185; H04B 1/3888
See application file for complete search history.

(56) **References Cited**

U.S. PATENT DOCUMENTS

| | | | | | |
|------------|---|---------|----------|-------|---------|
| D625,303 S | * | 10/2010 | Kim | | D14/250 |
| D657,782 S | * | 4/2012 | Biller | | D14/250 |
| D679,271 S | * | 4/2013 | Liu | | D13/103 |
| D689,852 S | * | 9/2013 | Azoulay | | D14/250 |
| D703,652 S | * | 4/2014 | Melanson | | D14/250 |

(Continued)

OTHER PUBLICATIONS

MoKo iPhone 6sPlus Case, "http://www.amazon.co.uk/iPhone-Plus-Case-Technology-Smartphone/dp/B00HWS3WR6/ref=sr_1_2?ie=UTF8&qid=1447364017&sr=8-2&keywords=moko+iphone+kickstand"; Feb. 21, 2014 (retrieved Nov. 11, 2015).*

(Continued)

Primary Examiner — Sandra Snapp
Assistant Examiner — Holly E Thurman
(74) *Attorney, Agent, or Firm* — East West Law Group; Heedong Chae

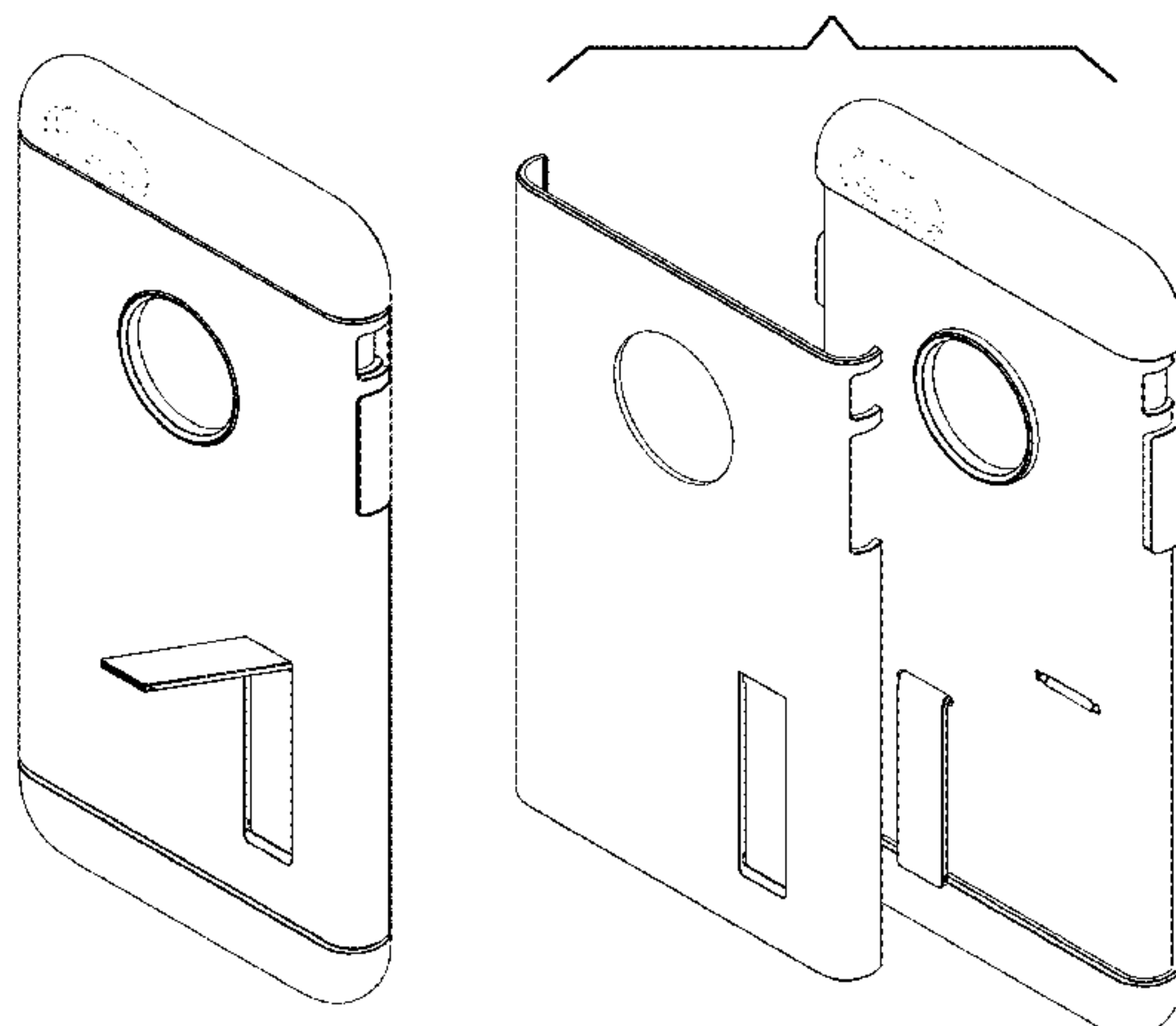
(57) **CLAIM**

The ornamental design for a case for electronic device, as shown and described.

DESCRIPTION

FIG. 1 is a front perspective view of a case for electronic device comprised of inner portion, outer portion, and support leg, showing my new design in an assembled state; FIG. 2 is a rear perspective view thereof; FIG. 3 is a front elevational view thereof; FIG. 4 is a rear elevational view thereof; FIG. 5 is a left side elevational view thereof; FIG. 6 is a right side elevational view thereof; FIG. 7 is a top plan view thereof; FIG. 8 is a bottom plan view thereof; FIG. 9 is a rear perspective view thereof, showing the support leg in an open position; FIG. 10 is another rear perspective view thereof; FIG. 11 is an exploded rear perspective view thereof showing the inner portion, outer portion, and support leg of the case for electronic device separated for clarity of disclosure; FIG. 12 is a front perspective view of the inner portion only shown separately for clarity of disclosure; FIG. 13 is a rear perspective view thereof; FIG. 14 is a front perspective view of the support leg only shown separately for clarity of disclosure; FIG. 15 is a rear perspective view thereof; FIG. 16 is a front perspective view of the outer portion only shown separately for clarity of disclosure; and, FIG. 17 is a rear perspective view thereof.
The broken lines depict of unclaimed environment and form no part of the claimed design.

1 Claim, 17 Drawing Sheets



(56)

References Cited

U.S. PATENT DOCUMENTS

D703,655 S * 4/2014 Melanson D14/250
D706,254 S * 6/2014 Chang D14/217
D736,205 S * 8/2015 Park D14/138 R
D739,391 S * 9/2015 Chen D14/248
D741,279 S * 10/2015 Tai D14/138 G

OTHER PUBLICATIONS

“iPhone SE/5s/5,”<https://www.switcheasy.com/iphone-se5s5/24-tones>, Downloaded Jun. 3, 2016, 1Page.

“iPhone 5S/5 Case Slim Armor” <http://www.spigen.com/products/iphone-5s-5-case-slim-armor-s?variant=1162051877>. Downloaded Jun. 3, 2016, 1Page.

* cited by examiner

FIG. 1

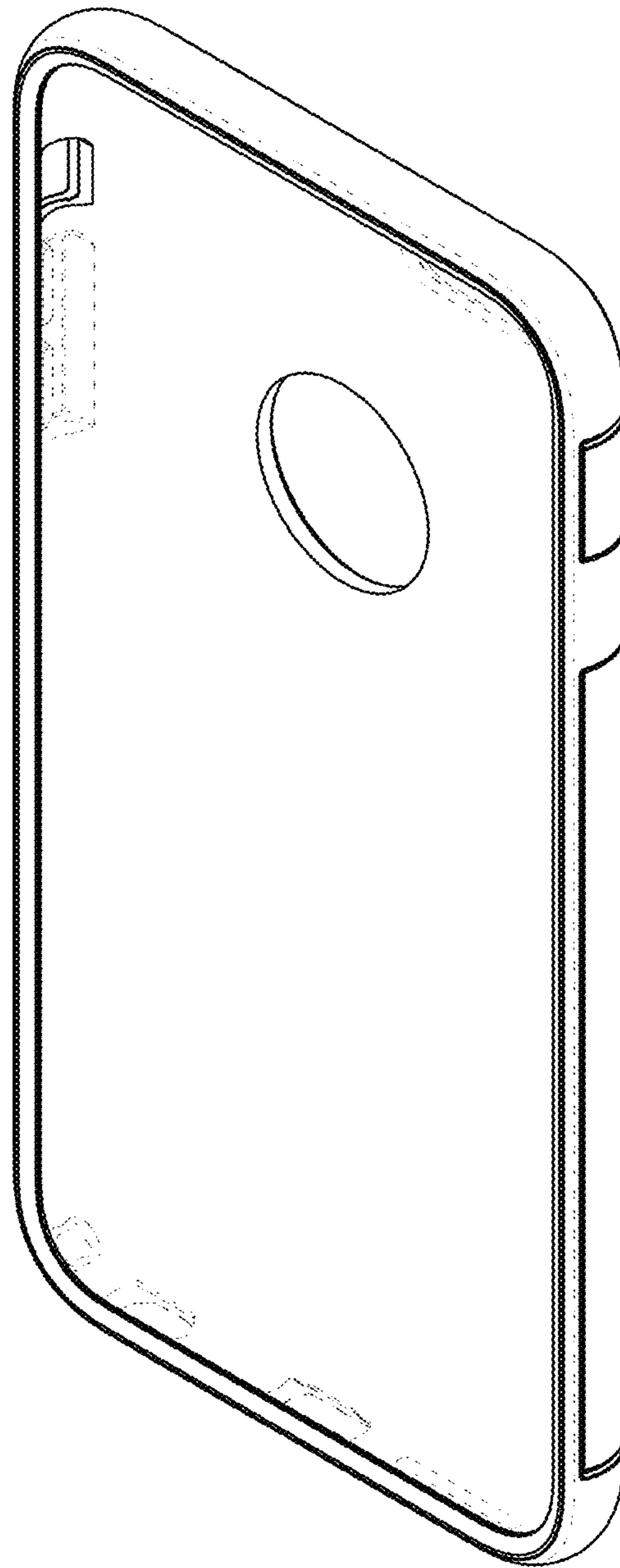


FIG. 2

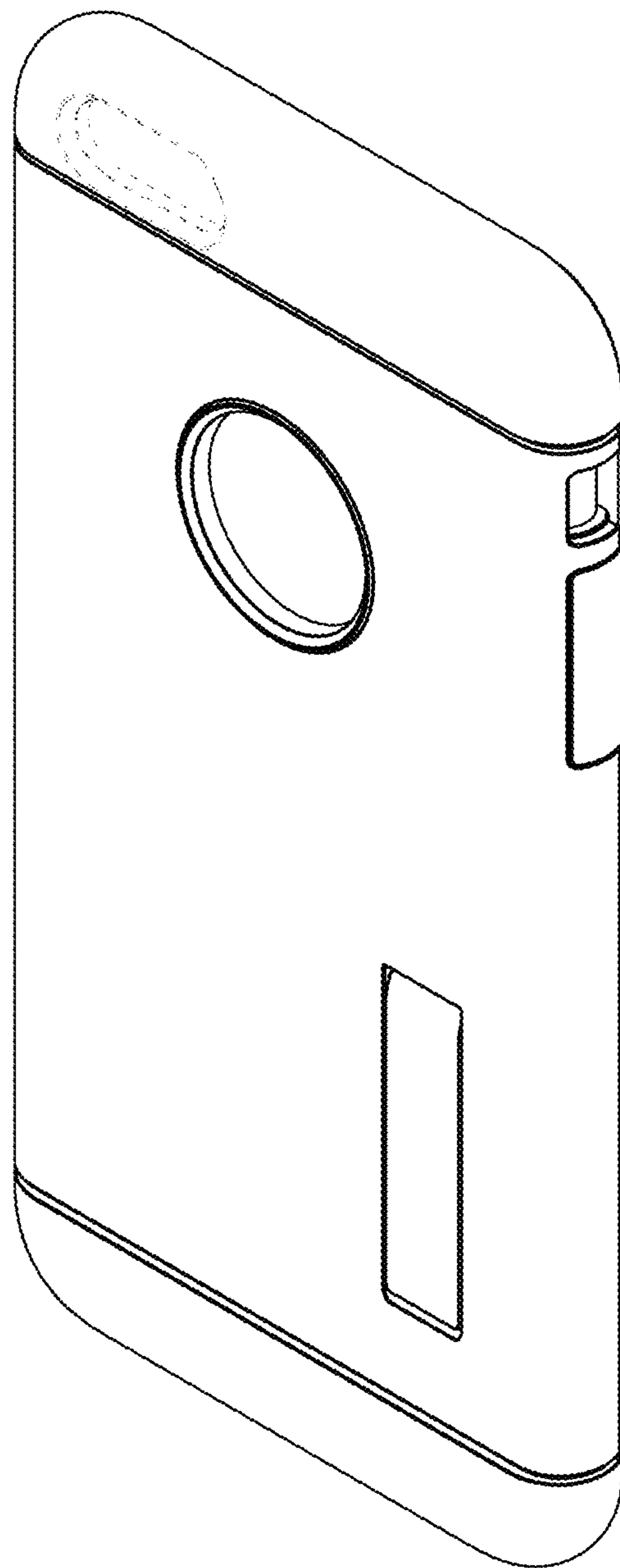


FIG. 3

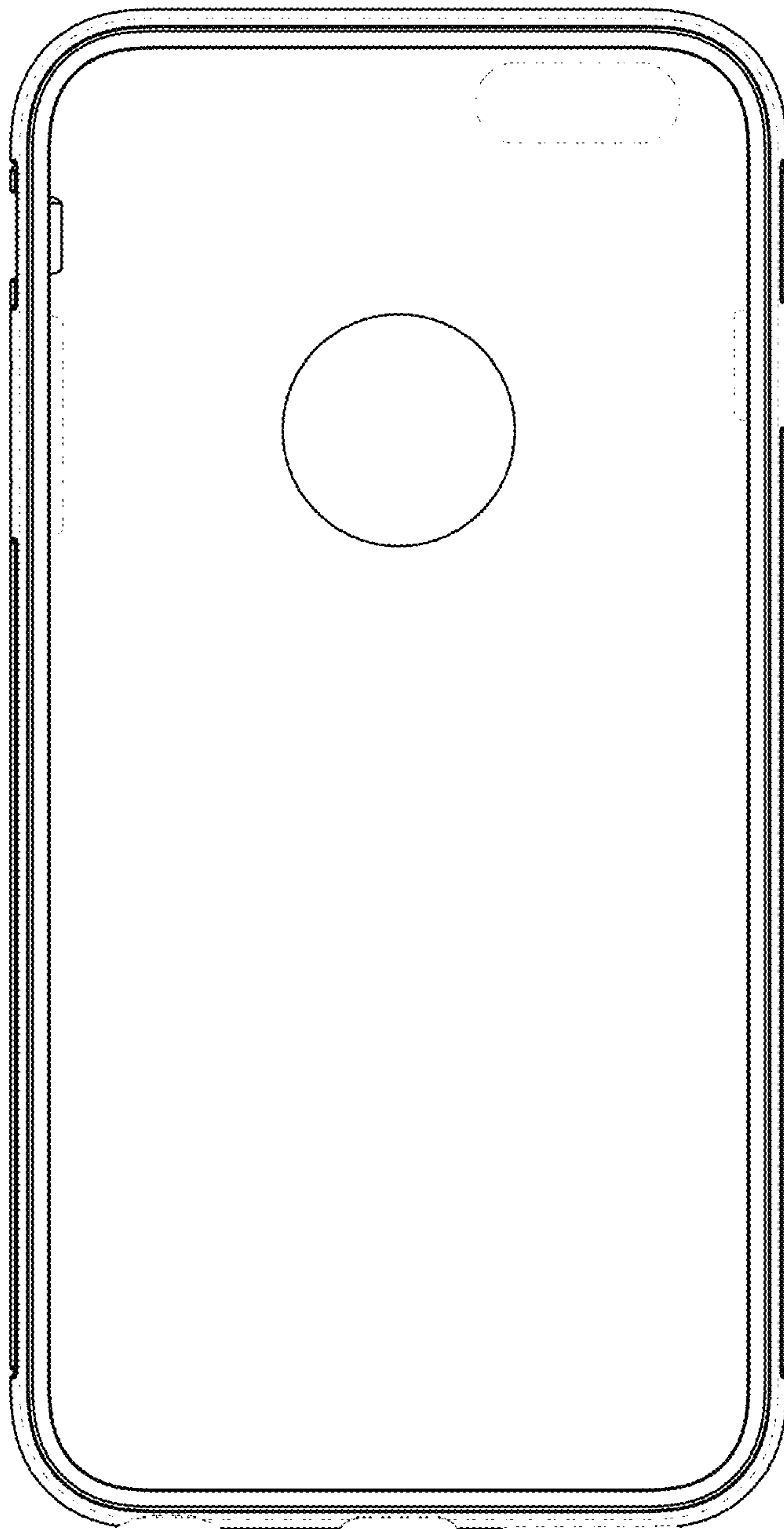


FIG. 4

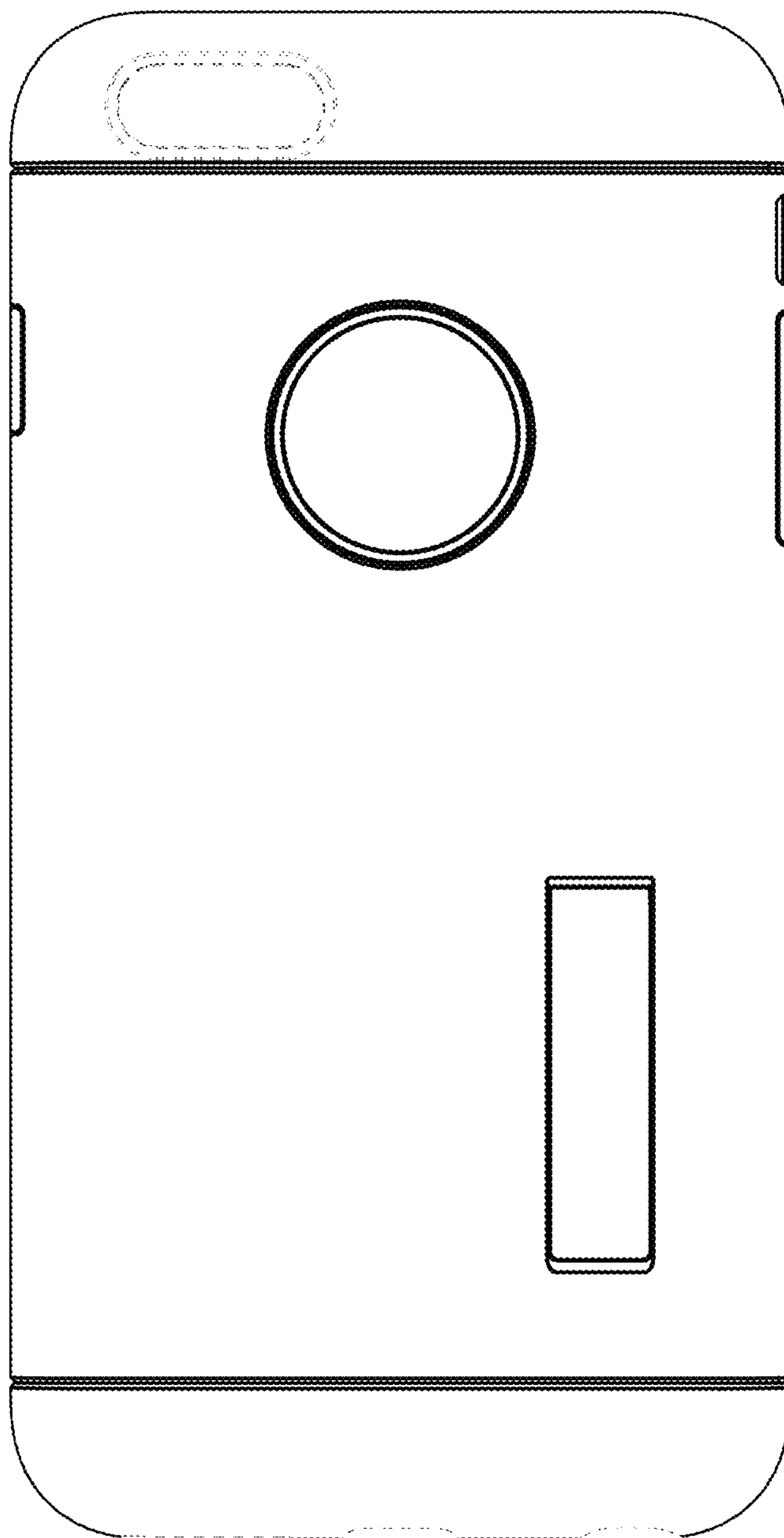


FIG. 5



FIG. 6

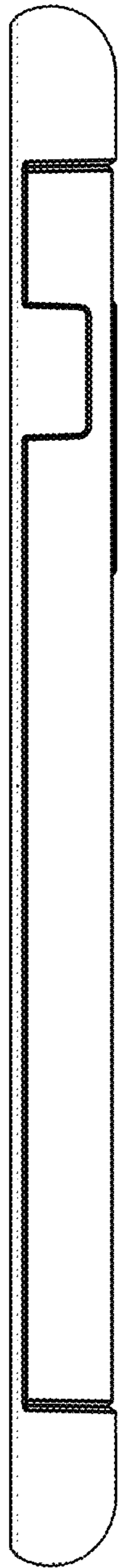


FIG. 7

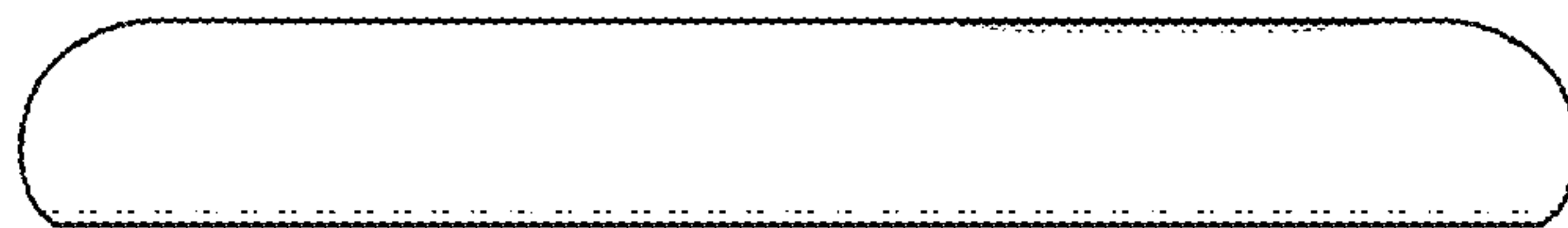


FIG. 8

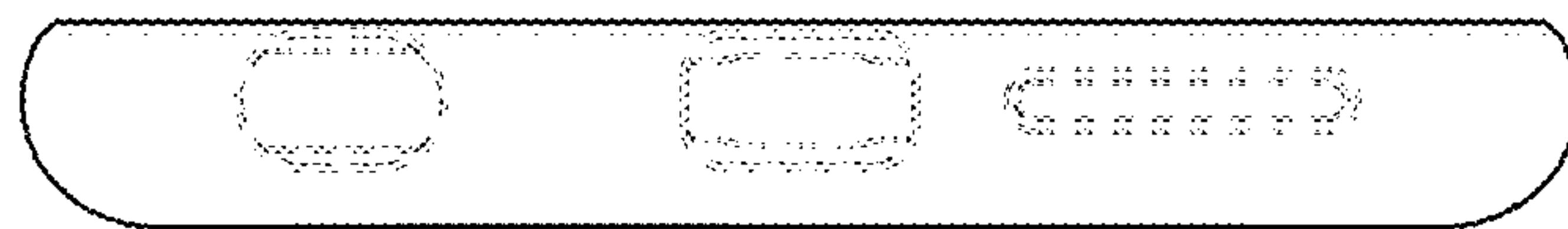


FIG. 9

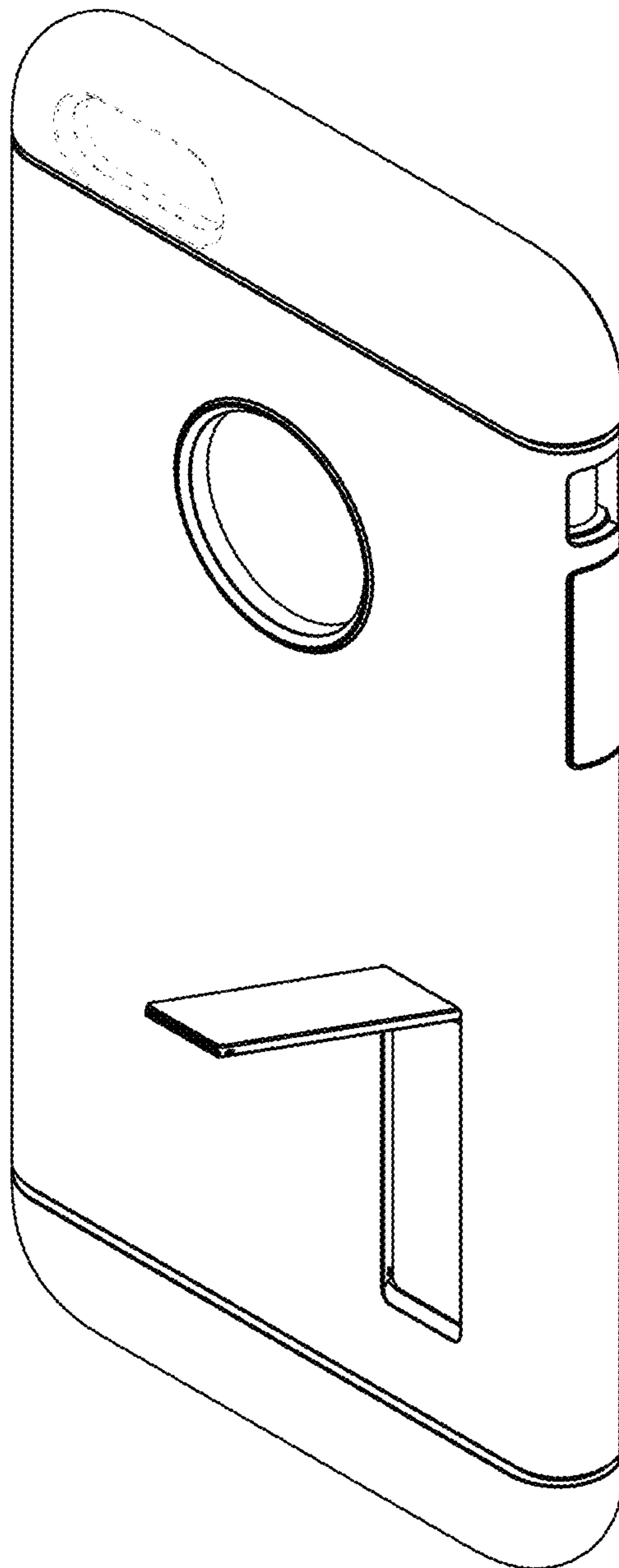


FIG. 10

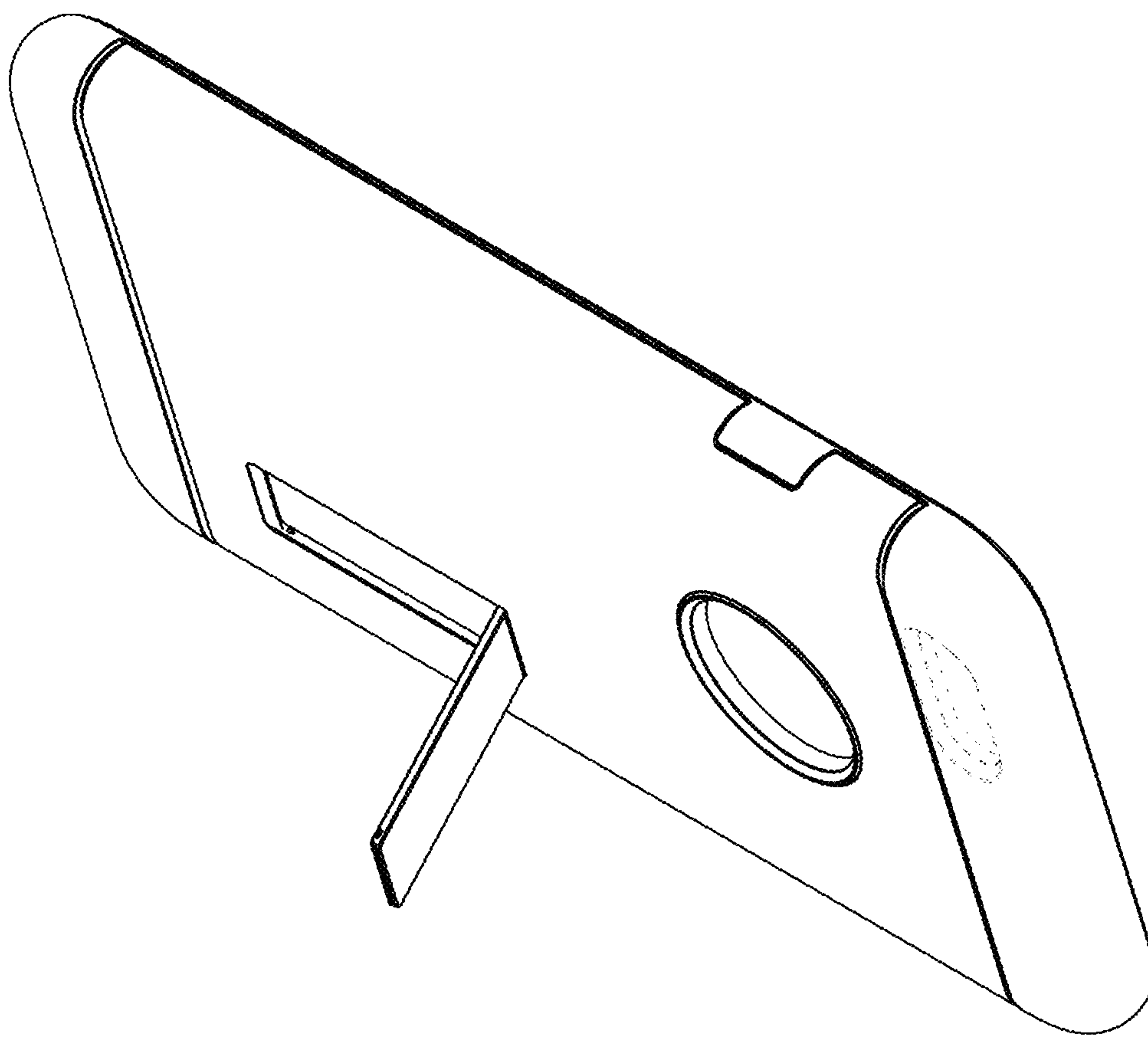


FIG. 11

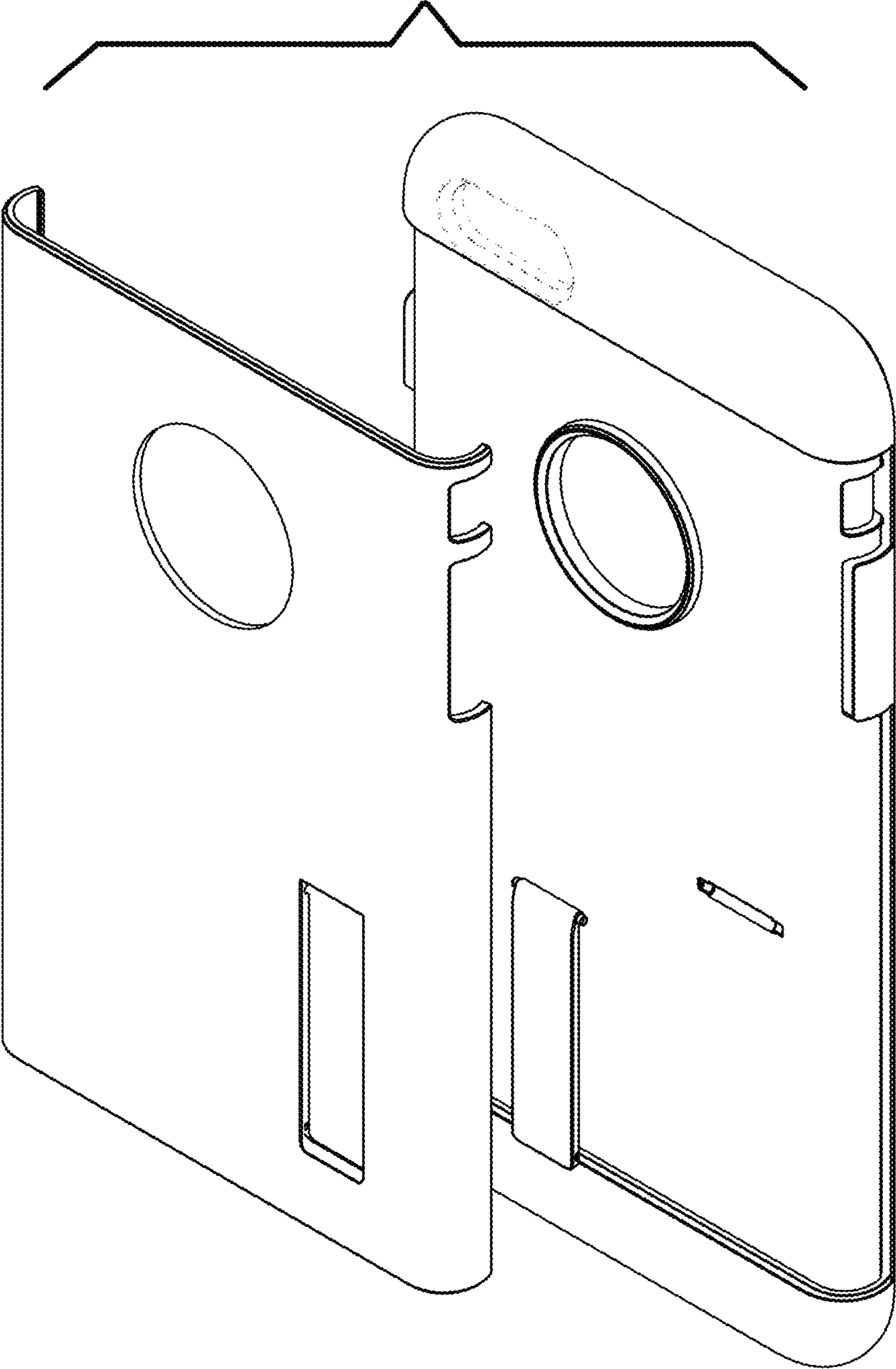


FIG. 12

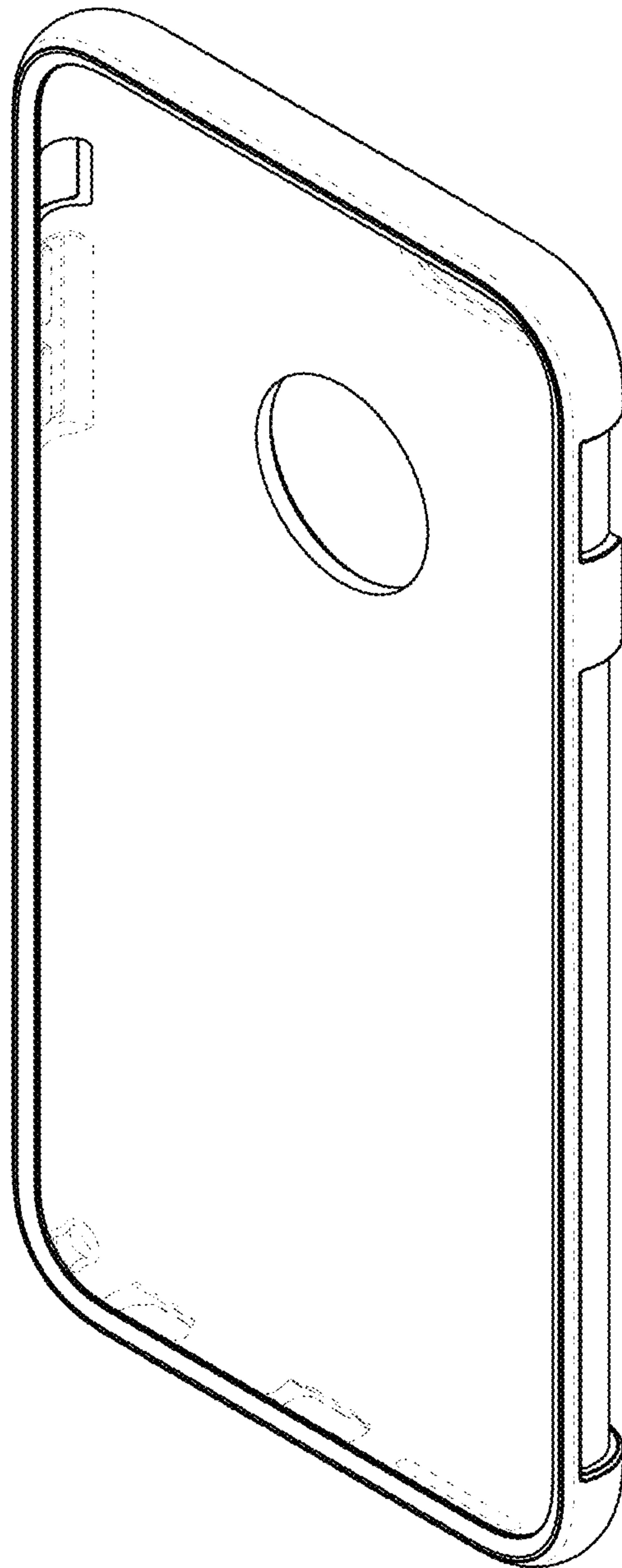


FIG. 13

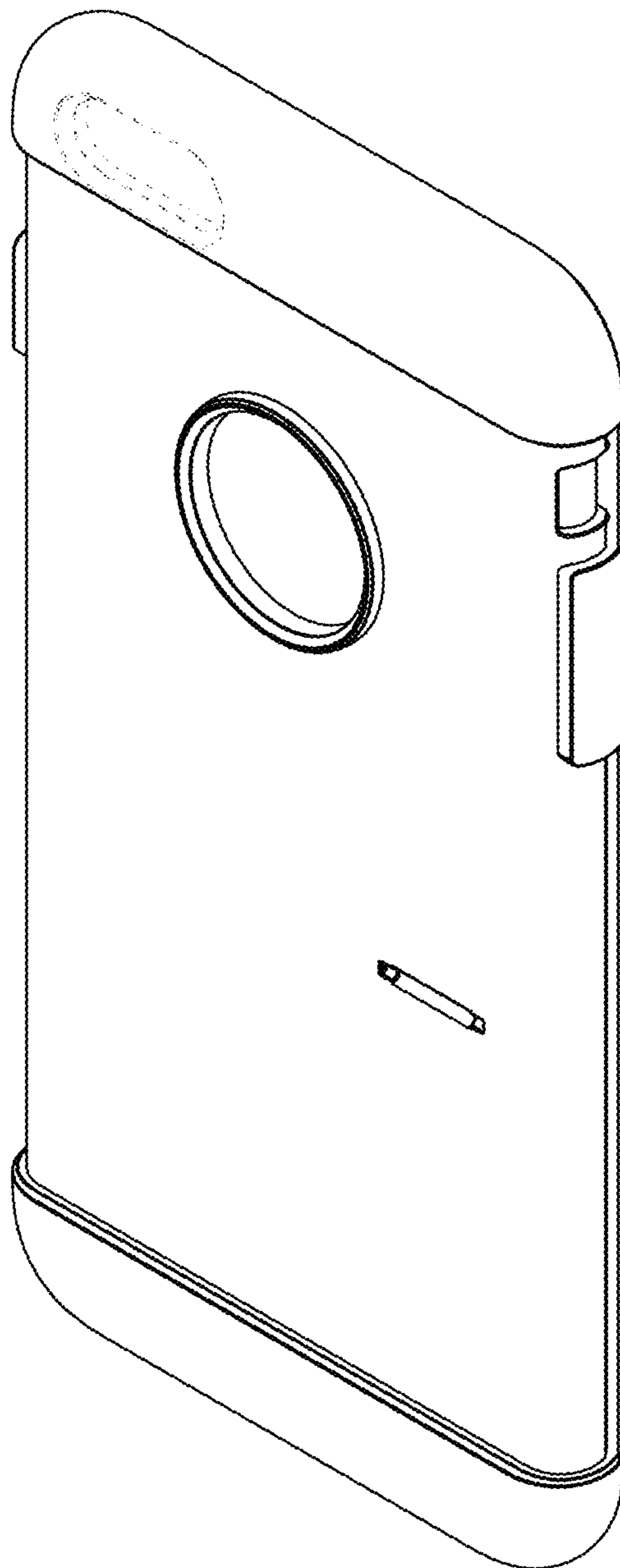


FIG. 14

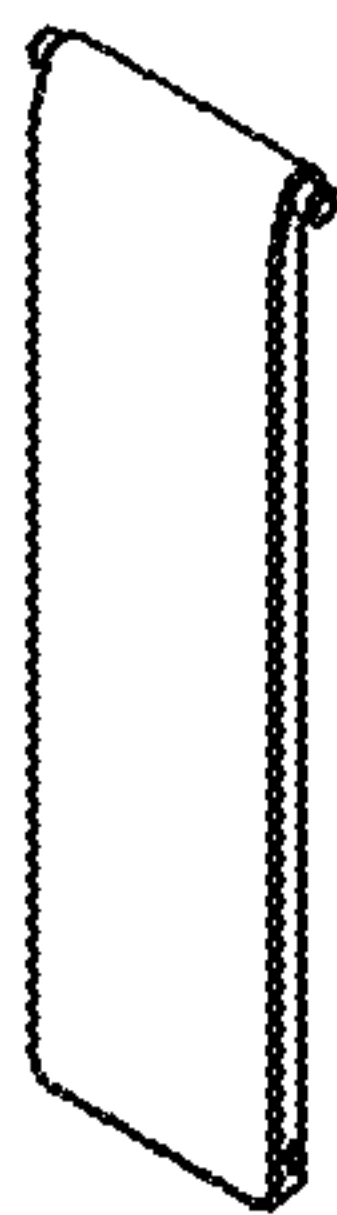


FIG. 15



FIG. 16

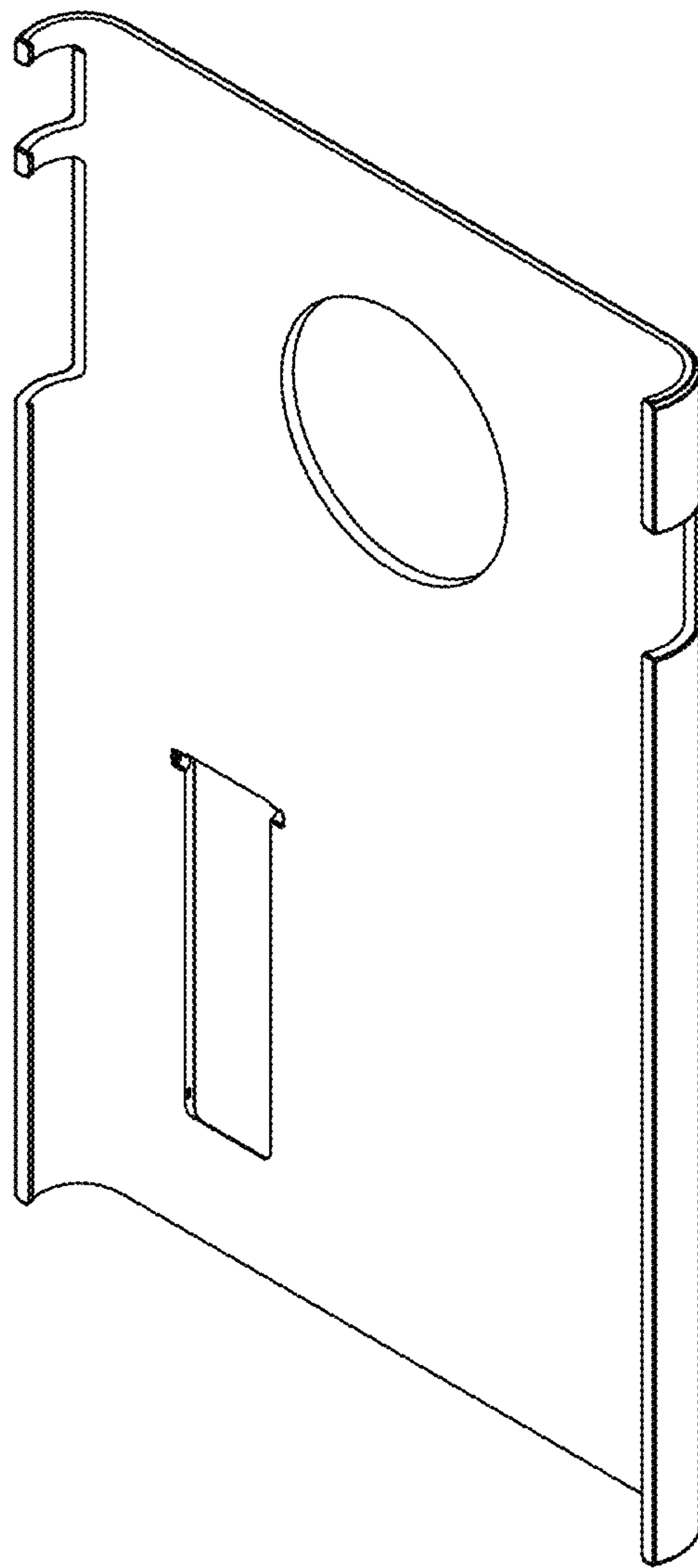


FIG. 17

