



US00D771603S

(12) **United States Design Patent**  
**Ruggles**

(10) **Patent No.:** **US D771,603 S**

(45) **Date of Patent:** **\*\* \*Nov. 15, 2016**

- (54) **PORTABLE TELEVISION STAND**
- (71) Applicant: **Joseph A. Ruggles**, Jackson, MI (US)
- (72) Inventor: **Joseph A. Ruggles**, Jackson, MI (US)
- (\*) Notice: This patent is subject to a terminal disclaimer.
- (\*\*) Term: **15 Years**
- (21) Appl. No.: **29/505,245**
- (22) Filed: **Aug. 10, 2015**
- (51) **LOC (10) Cl.** ..... **14-03**
- (52) **U.S. Cl.**  
USPC ..... **D14/239**
- (58) **Field of Classification Search**  
USPC ..... D14/239, 211, 238, 251, 253, 371–382,  
D14/125–129, 336, 337, 447, 448, 451, 452,  
D14/492, 450; 341/12; 345/104, 156, 168,  
345/173; 348/180, 184, 325, 739; 349/1, 2,  
349/11, 62; 361/679.05–679.07, 679.21;  
D6/300, 310–313, 308, 708  
CPC ..... H03M 2201/4135; G06F 3/0412;  
G06F 1/13338; H04N 17/00; H04N 17/004;  
H04N 17/04  
See application file for complete search history.

- D412,748 S \* 8/1999 Nabarro ..... D24/158
- D471,189 S \* 3/2003 Bradley ..... D14/308
- D486,915 S \* 2/2004 Warschewske ..... D24/185
- D516,072 S \* 2/2006 Lutnick ..... D14/396
- 7,261,261 B2 \* 8/2007 Ligertwood ..... A47B 21/00  
248/129
- D571,130 S \* 6/2008 Clark ..... D6/702
- D615,072 S \* 5/2010 Saitou ..... D14/239
- 8,074,725 B2 \* 12/2011 Rogers ..... A62C 31/02  
169/37
- D720,317 S \* 12/2014 Kamp ..... D14/126
- D734,541 S \* 7/2015 Petruccelli ..... D24/128
- D744,971 S \* 12/2015 Kamp ..... D14/129

\* cited by examiner

*Primary Examiner* — Randall Gholson

(74) *Attorney, Agent, or Firm* — Paul R. Martin

(57) **CLAIM**

The ornamental design for a portable television stand, as shown and described.

**DESCRIPTION**

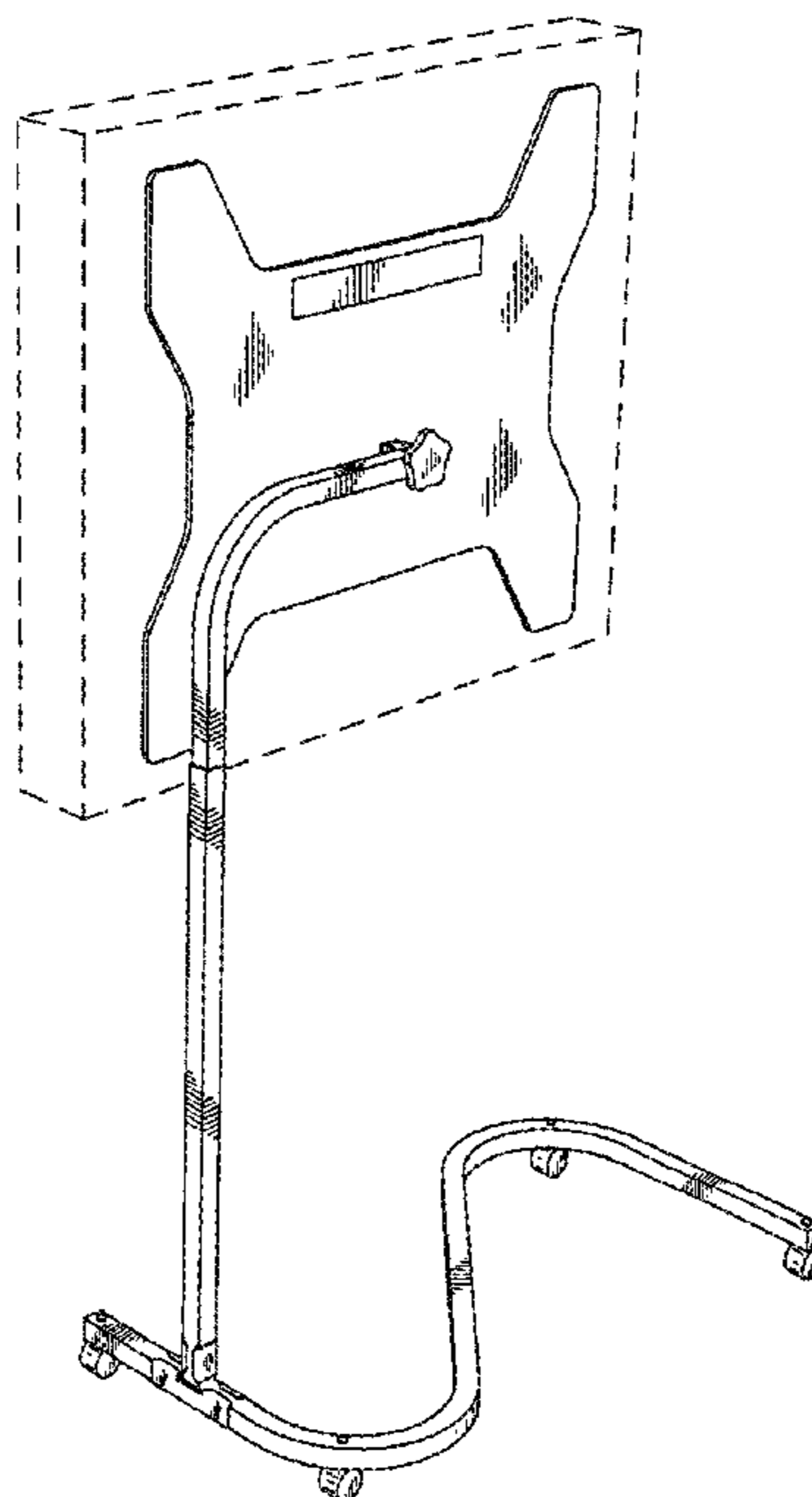
FIG. 1 is a left, front side perspective view of the portable television stand of my new design.  
 FIG. 2 is an elevational view of the front thereof.  
 FIG. 3 is an elevational view of the back thereof.  
 FIG. 4 is an elevational view from the left side thereof.  
 FIG. 5 is an elevational view from the right side thereof.  
 FIG. 6 is a top plan view thereof; and,  
 FIG. 7 is a bottom plan view thereof.  
 The broken line object in FIG. 1, depicting a television box, is an environmental element and forms no part of my new design.

(56) **References Cited**

U.S. PATENT DOCUMENTS

- 3,304,141 A \* 2/1967 Rogers ..... A47F 7/17  
312/45
- 4,469,372 A \* 9/1984 Long ..... A47C 9/002  
248/188.7

**1 Claim, 4 Drawing Sheets**



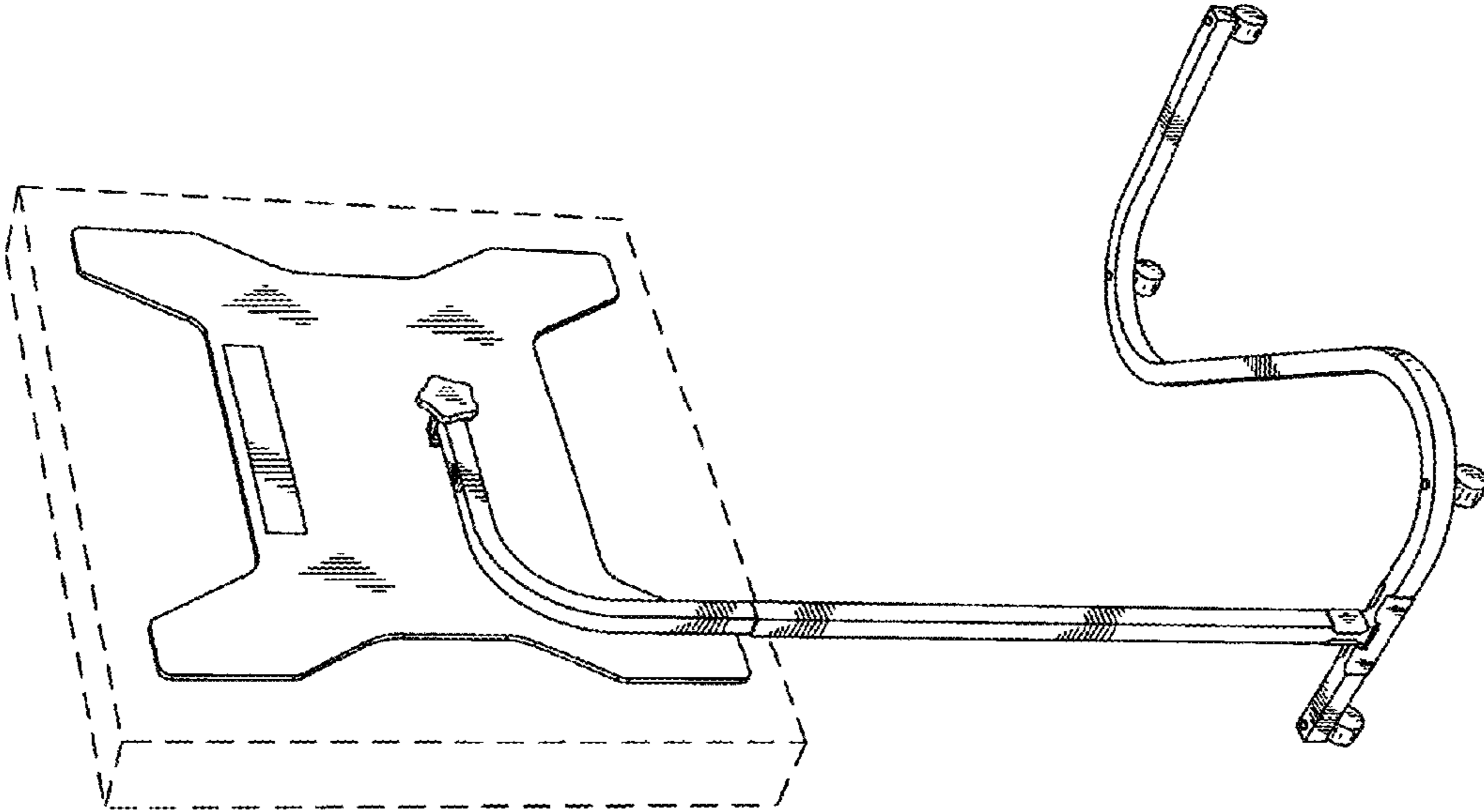


FIG. 1

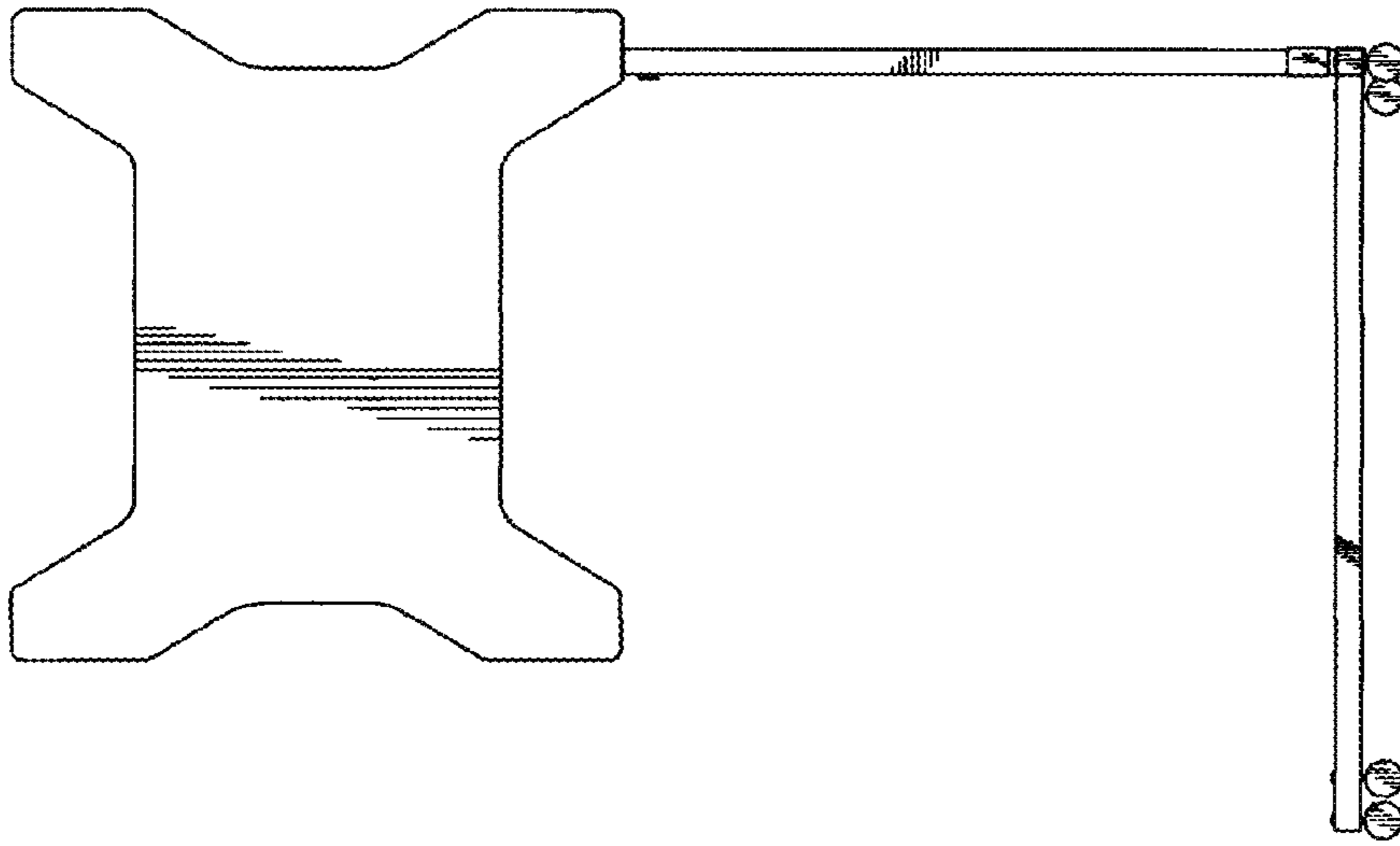


FIG. 3

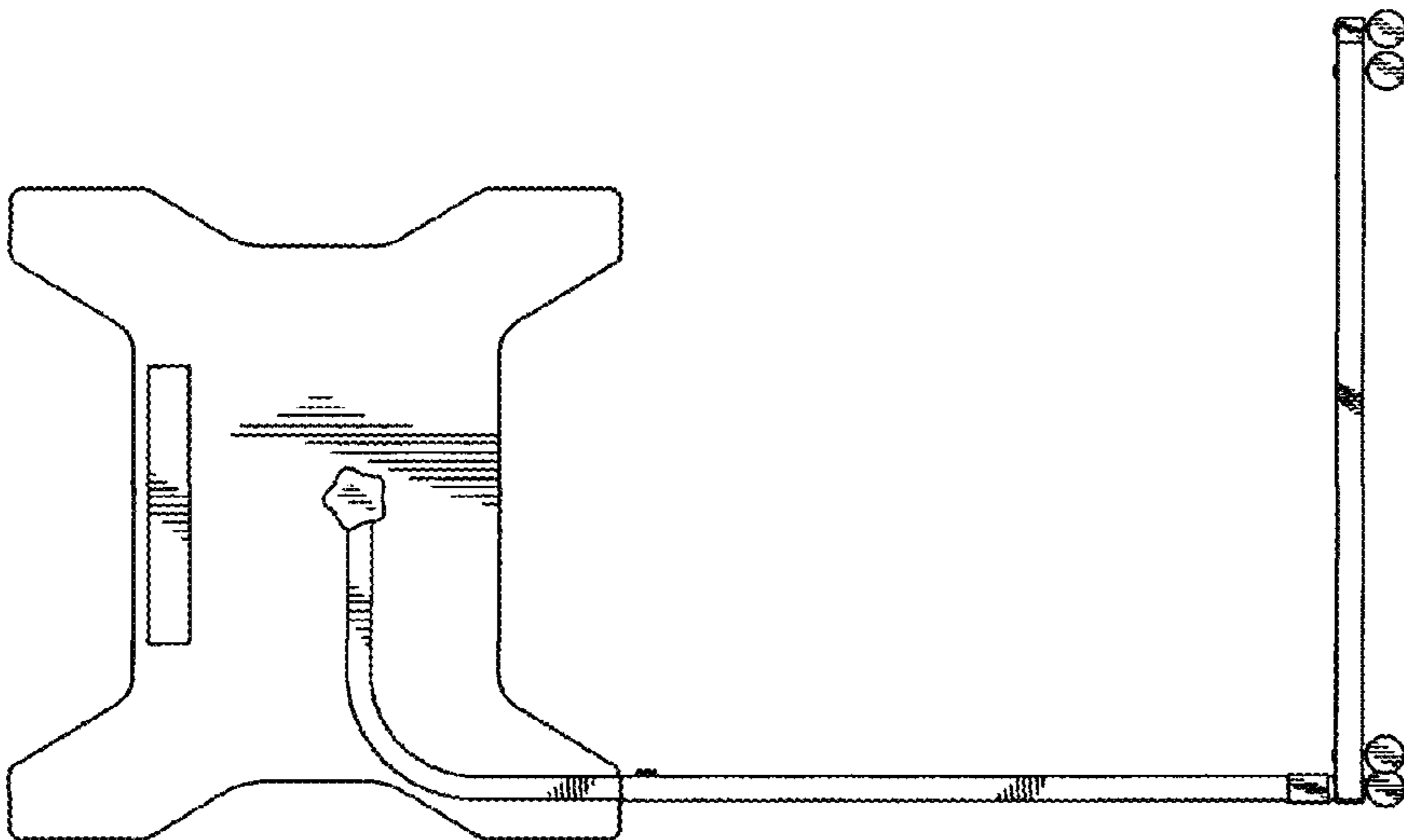


FIG. 2

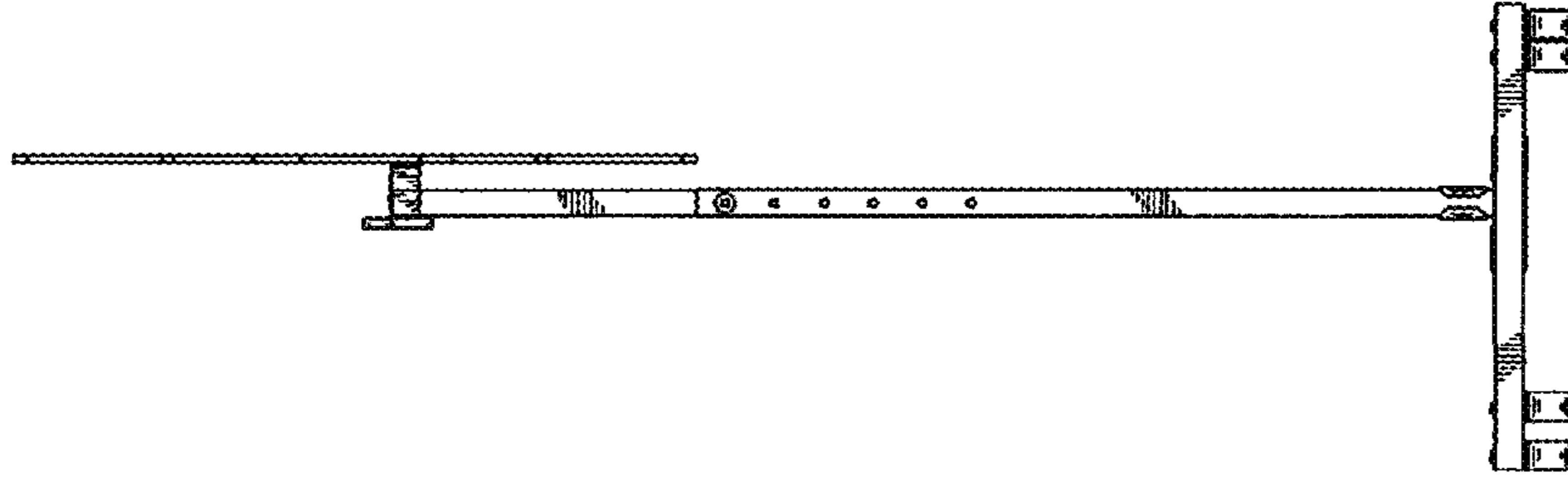


FIG. 5

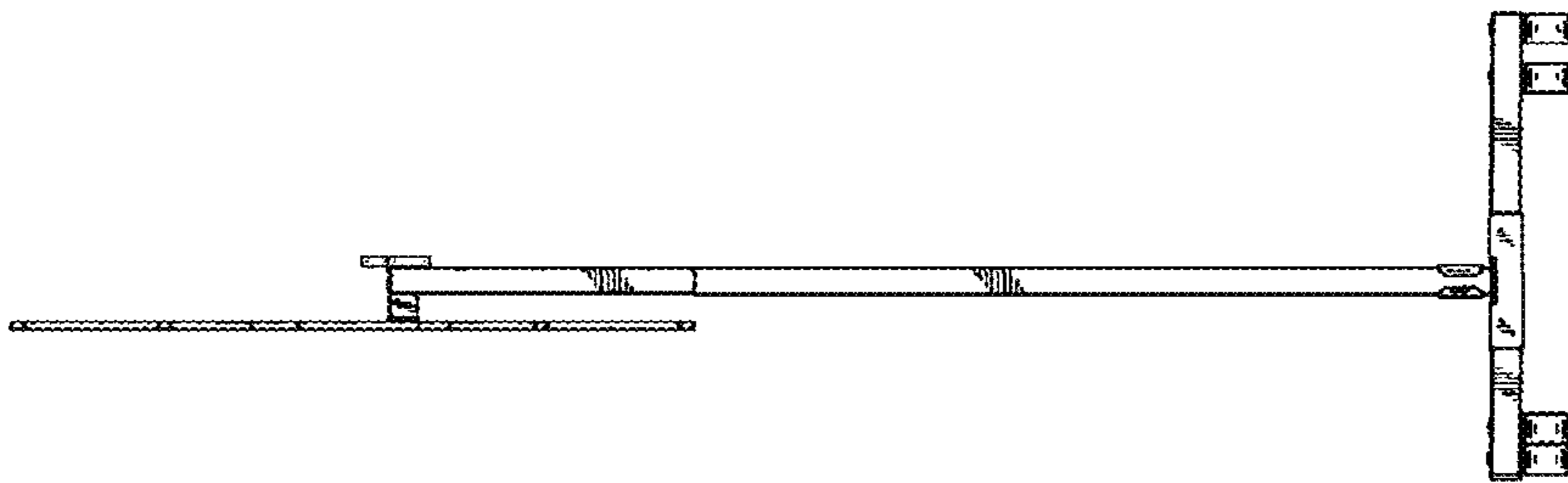


FIG. 4

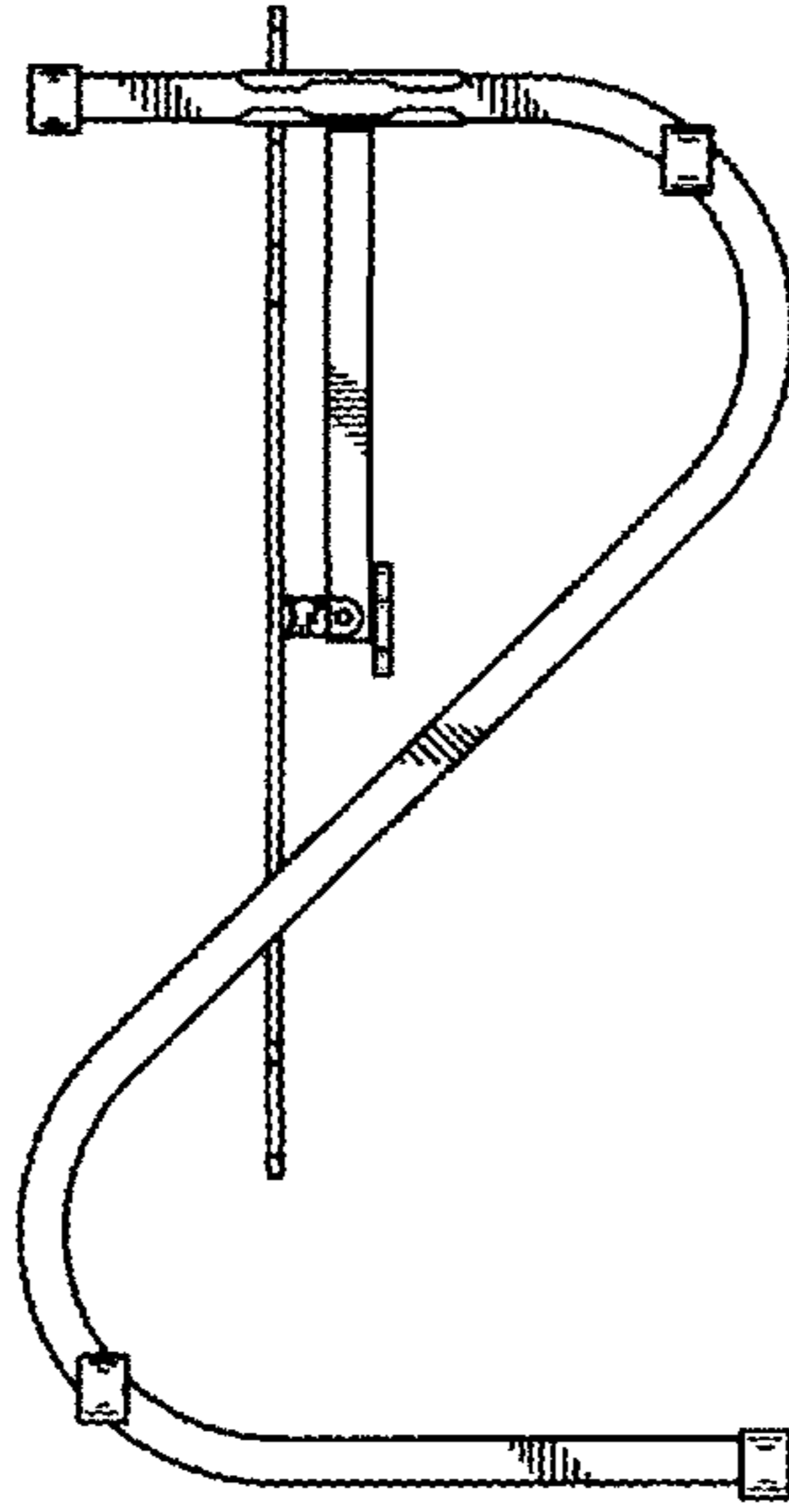


FIG. 6

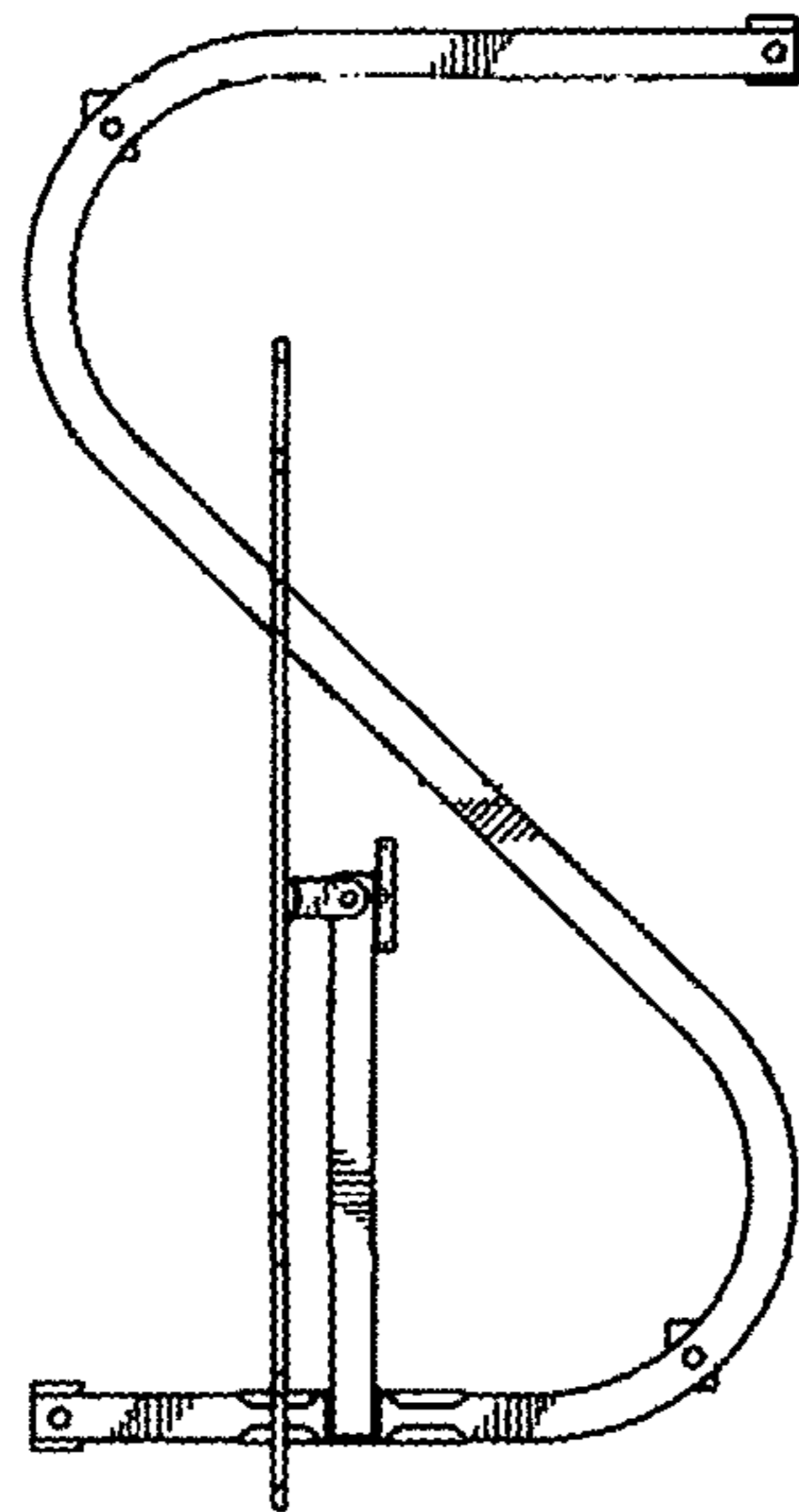


FIG. 7