



US00D771600S

(12) **United States Design Patent**
Hinokio et al.

(10) **Patent No.:** **US D771,600 S**
(45) **Date of Patent:** **** Nov. 15, 2016**

- (54) **MICROPHONE**
- (71) Applicant: **Yamaha Corporation**, Shizuoka (JP)
- (72) Inventors: **Akie Hinokio**, Shizuoka (JP); **Jens Rosbjerg**, Shizuoka (JP)
- (73) Assignee: **Yamaha Corporation** (JP)
- (**) Term: **15 Years**
- (21) Appl. No.: **29/534,609**
- (22) Filed: **Jul. 30, 2015**

D656,130 S *	3/2012	Bailey	D14/227
D671,528 S *	11/2012	Fathollahi	D14/211
D682,805 S *	5/2013	Rath	D14/149
D695,258 S *	12/2013	Hauser	D14/155
D698,765 S *	2/2014	Bremaud	D14/231
D711,345 S *	8/2014	Liu	D14/140
D717,770 S *	11/2014	Yamamoto	D14/216
D718,236 S *	11/2014	Murray	D13/108
9,025,809 B1 *	5/2015	Kallen	H04R 1/00 381/405
D743,382 S *	11/2015	Katori	D14/228
D743,383 S *	11/2015	Hinokio	D14/225
2013/0287246 A1 *	10/2013	Sasaki	H04R 1/06 381/412
2013/0292481 A1 *	11/2013	Filson	G05D 23/1902 236/1 C

Related U.S. Application Data

- (62) Division of application No. 29/488,684, filed on Apr. 22, 2014, now Pat. No. Des. 743,383.

Foreign Application Priority Data

- Oct. 23, 2013 (JP) 2013-024646
- Oct. 23, 2013 (JP) 2013-024647

- (51) **LOC (10) Cl.** **14-01**
- (52) **U.S. Cl.**
USPC **D14/228**

- (58) **Field of Classification Search**
USPC D14/155, 167, 225-228, 238, 243, 249,
D14/497; 381/92, 174, 355, 369; 455/575.1
CPC H04R 1/00; H04R 19/01; H04R 19/04
See application file for complete search history.

(56) **References Cited**

U.S. PATENT DOCUMENTS

D283,891 S *	5/1986	Parshad	D14/228
D327,479 S *	6/1992	Britz	D14/225
D346,598 S *	5/1994	McCay	D14/137
D510,571 S *	10/2005	Cutler	D14/125
D618,667 S *	6/2010	Chiu	D14/218

* cited by examiner

Primary Examiner — Susan Bennett Hattan

Assistant Examiner — Leanne Was

(74) *Attorney, Agent, or Firm* — McDonald Hopkins LLC

(57) **CLAIM**

The ornamental design for a microphone, as shown and described.

DESCRIPTION

FIG. 1 is a perspective view of a microphone showing our new design;
 FIG. 2 is a front view thereof;
 FIG. 3 is a back view thereof;
 FIG. 4 is a plan view thereof;
 FIG. 5 is a bottom view thereof;
 FIG. 6 is a right view thereof; the left view thereof being a mirror image;
 FIG. 7 is a plan view thereof in a mute state; and,
 FIG. 8 is a plan view thereof in an unpowered state.
 The broken lines shown in the figures depict portions of the microphone that form no part of the claimed design.

1 Claim, 8 Drawing Sheets

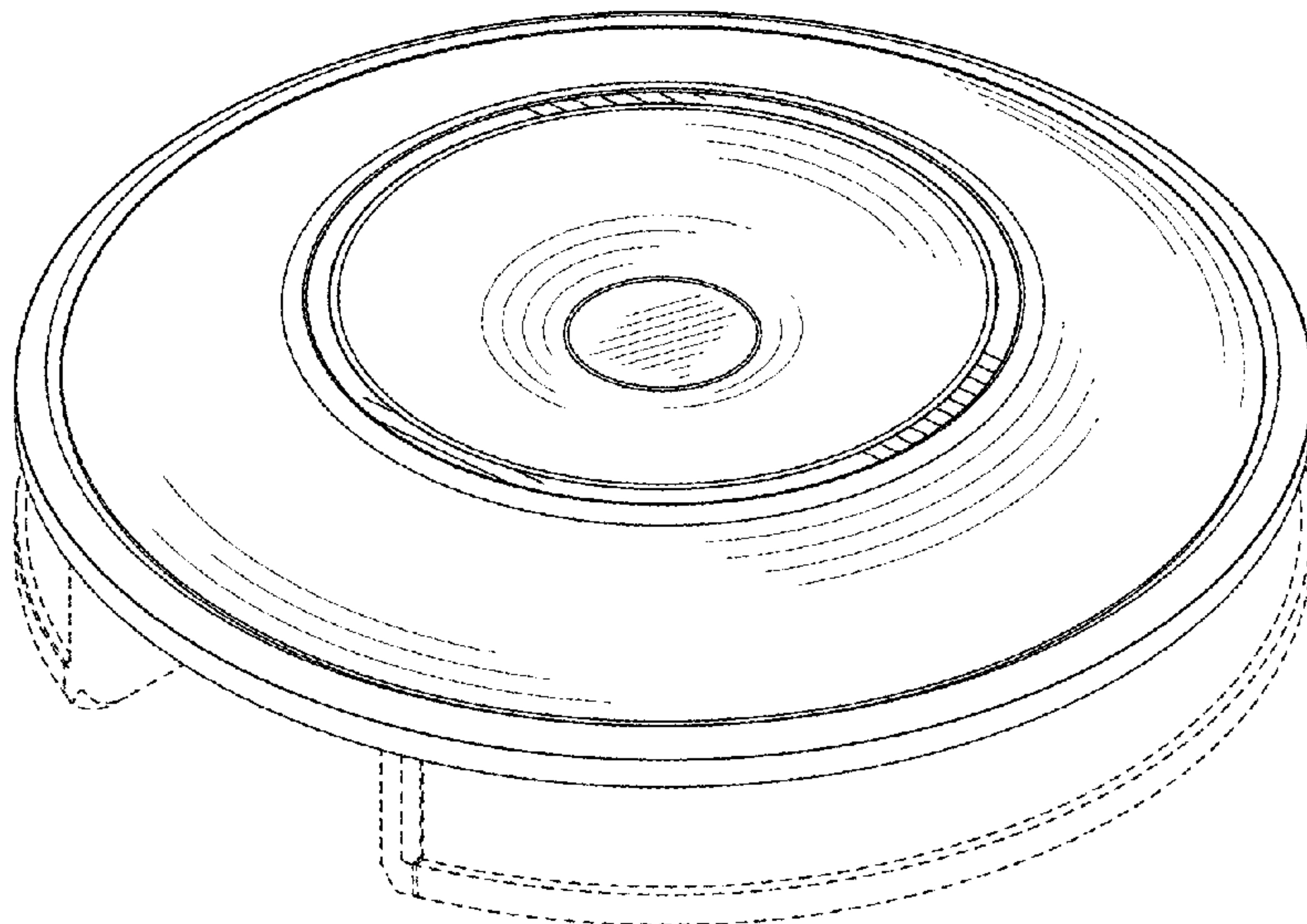


Fig. 1

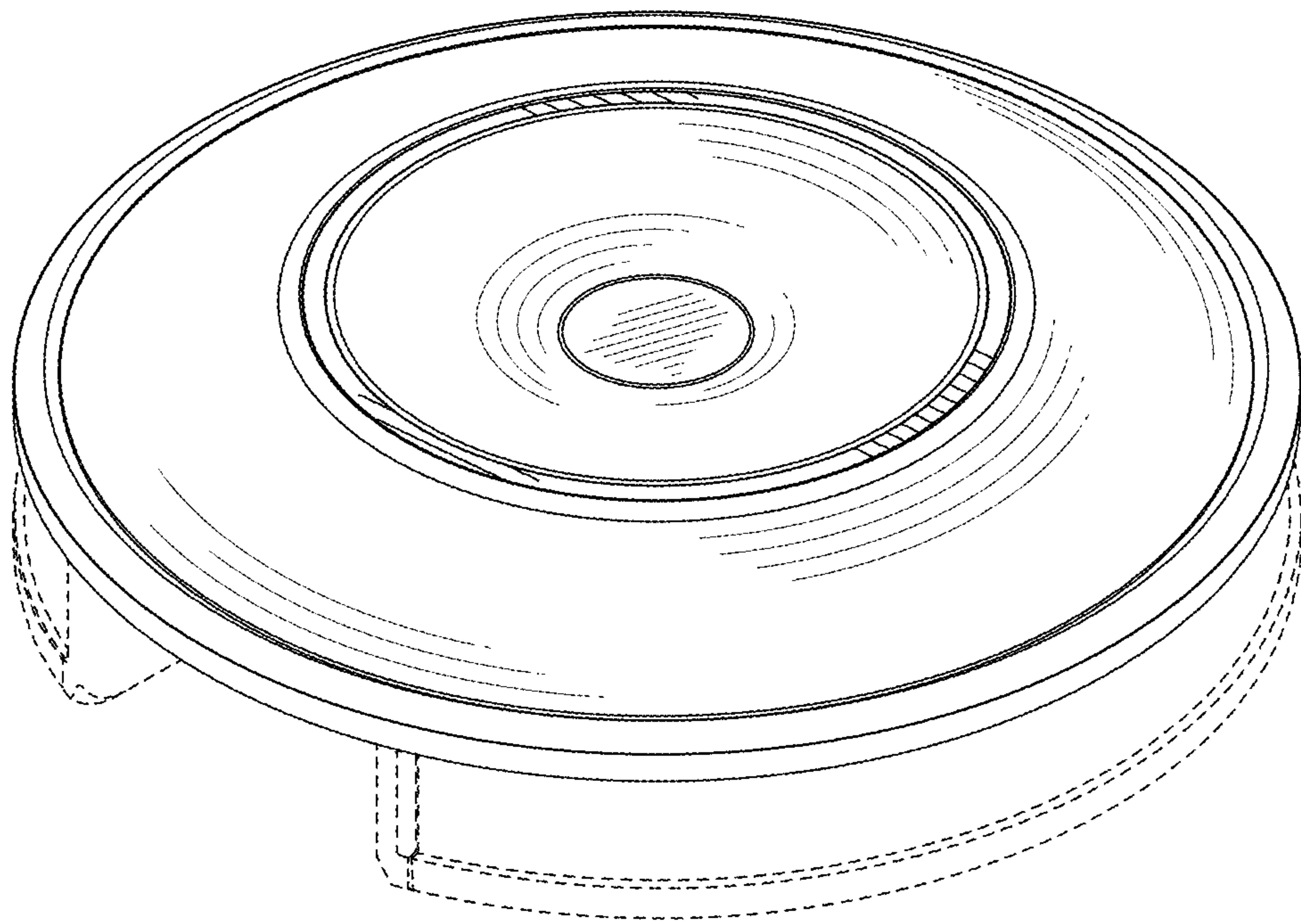


Fig. 2

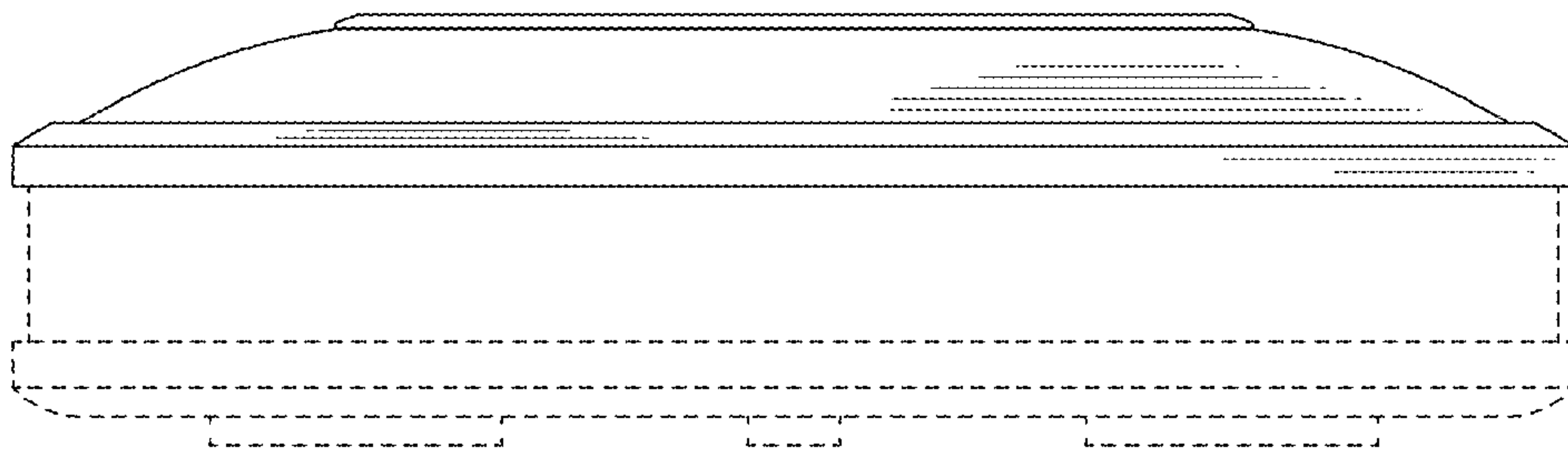


Fig.3

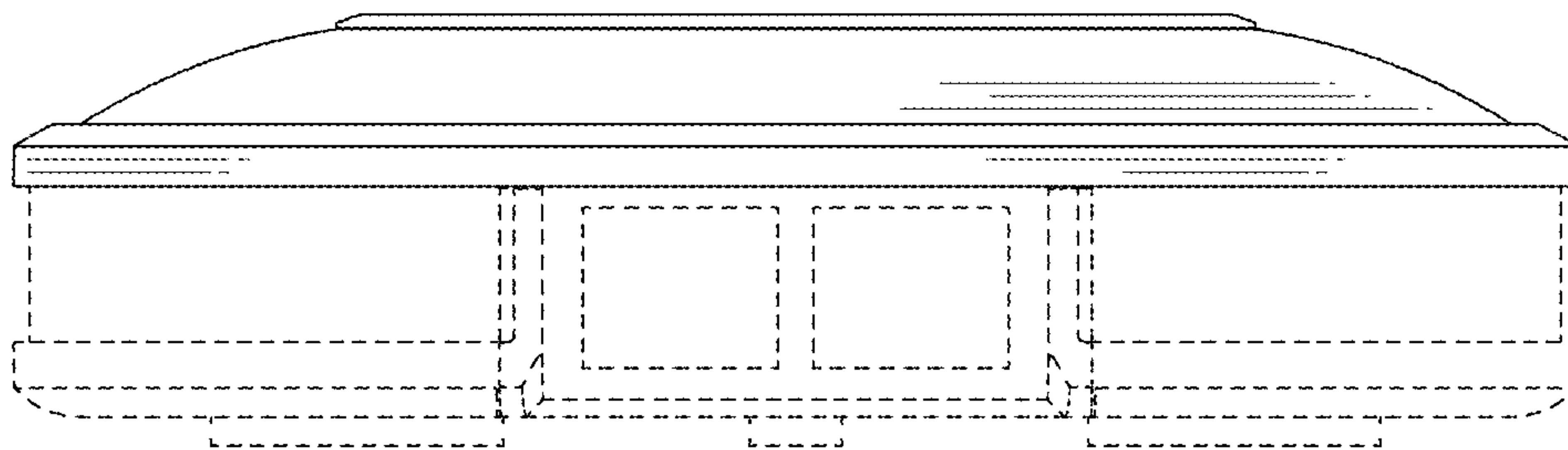


Fig.4

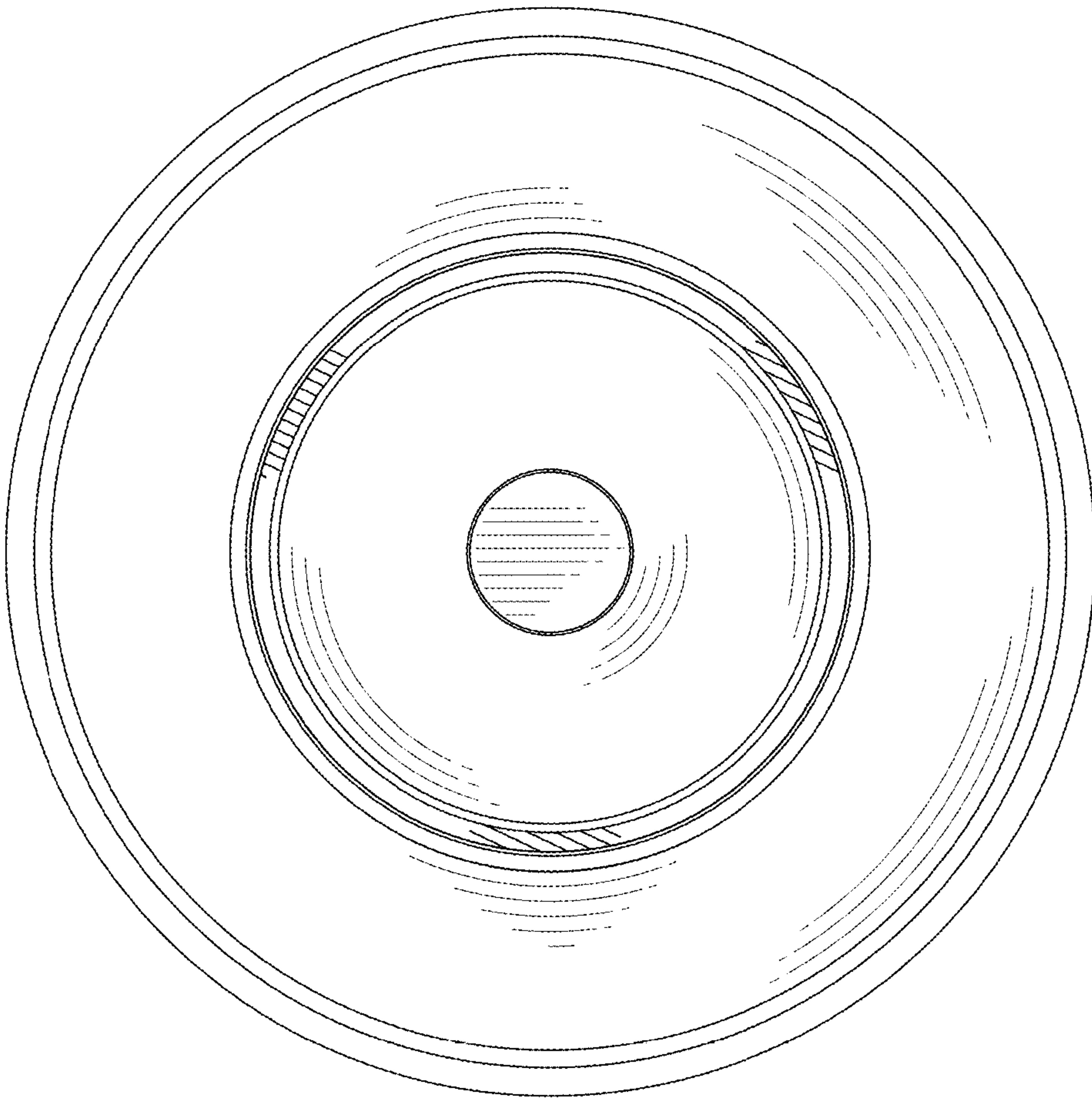


Fig. 5

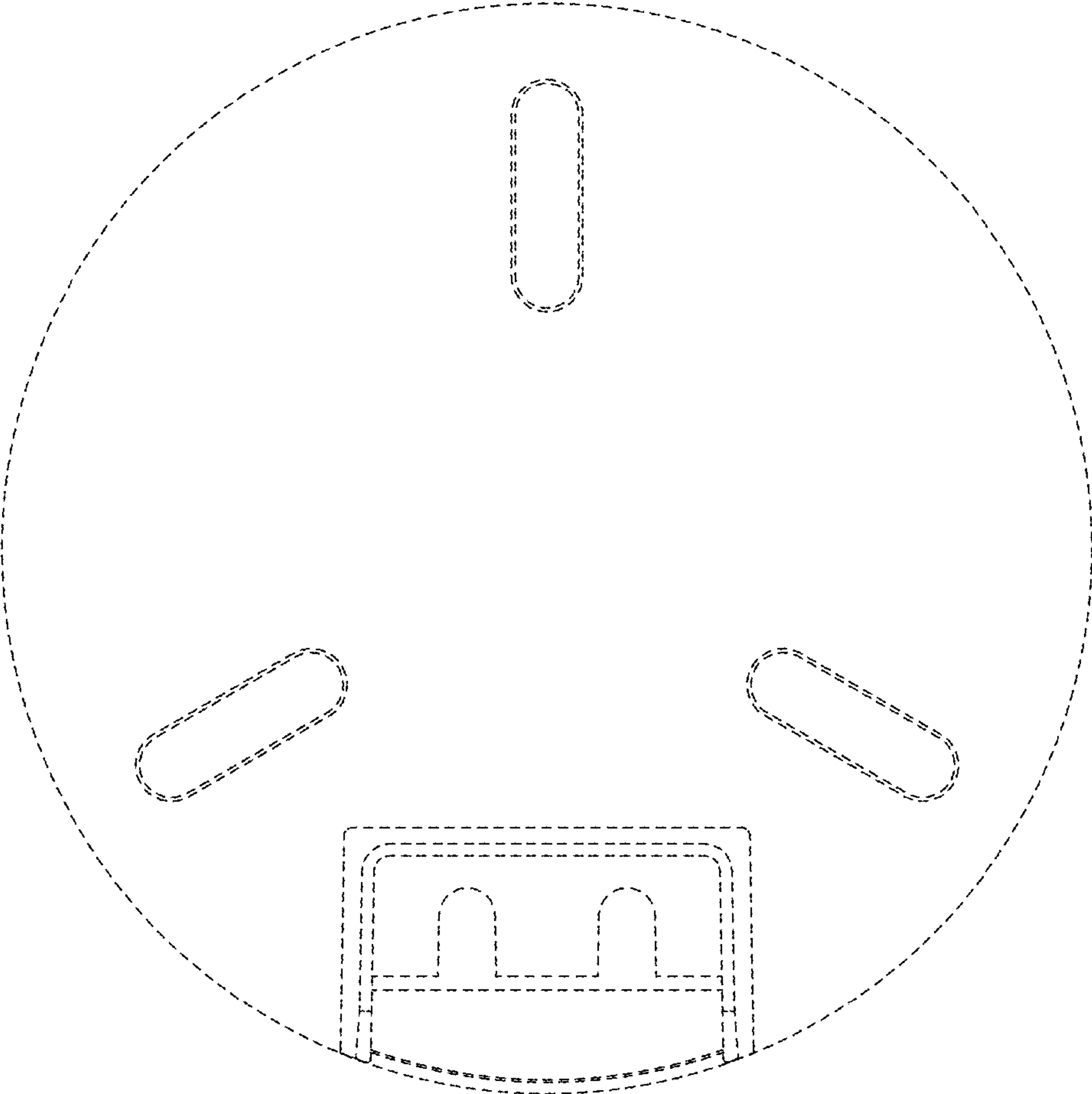


Fig.6

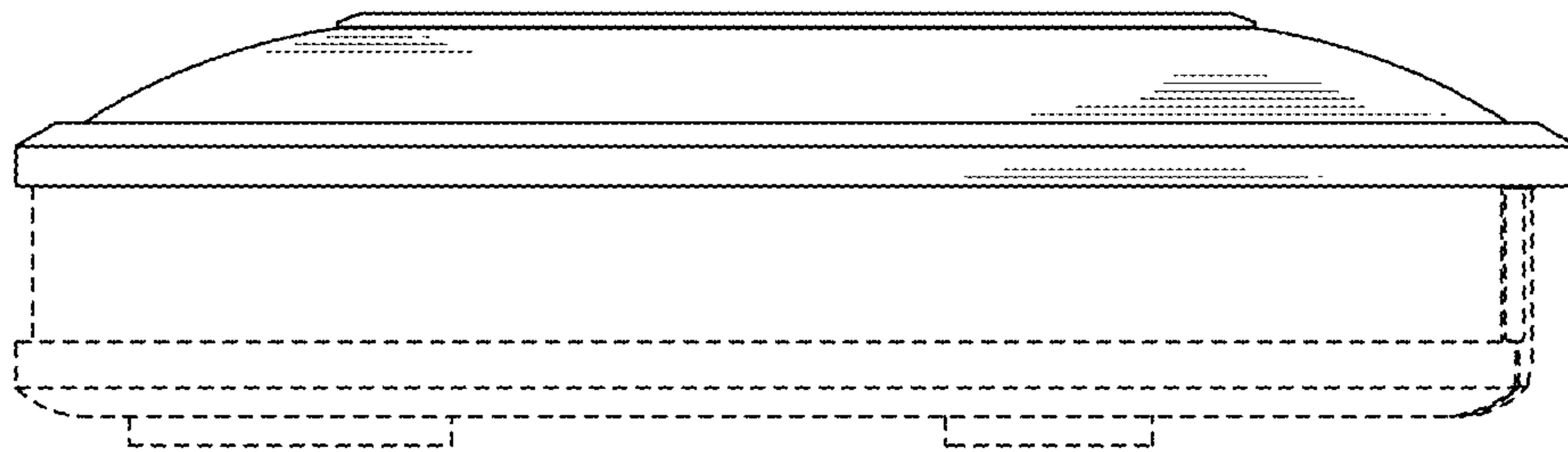


Fig.7

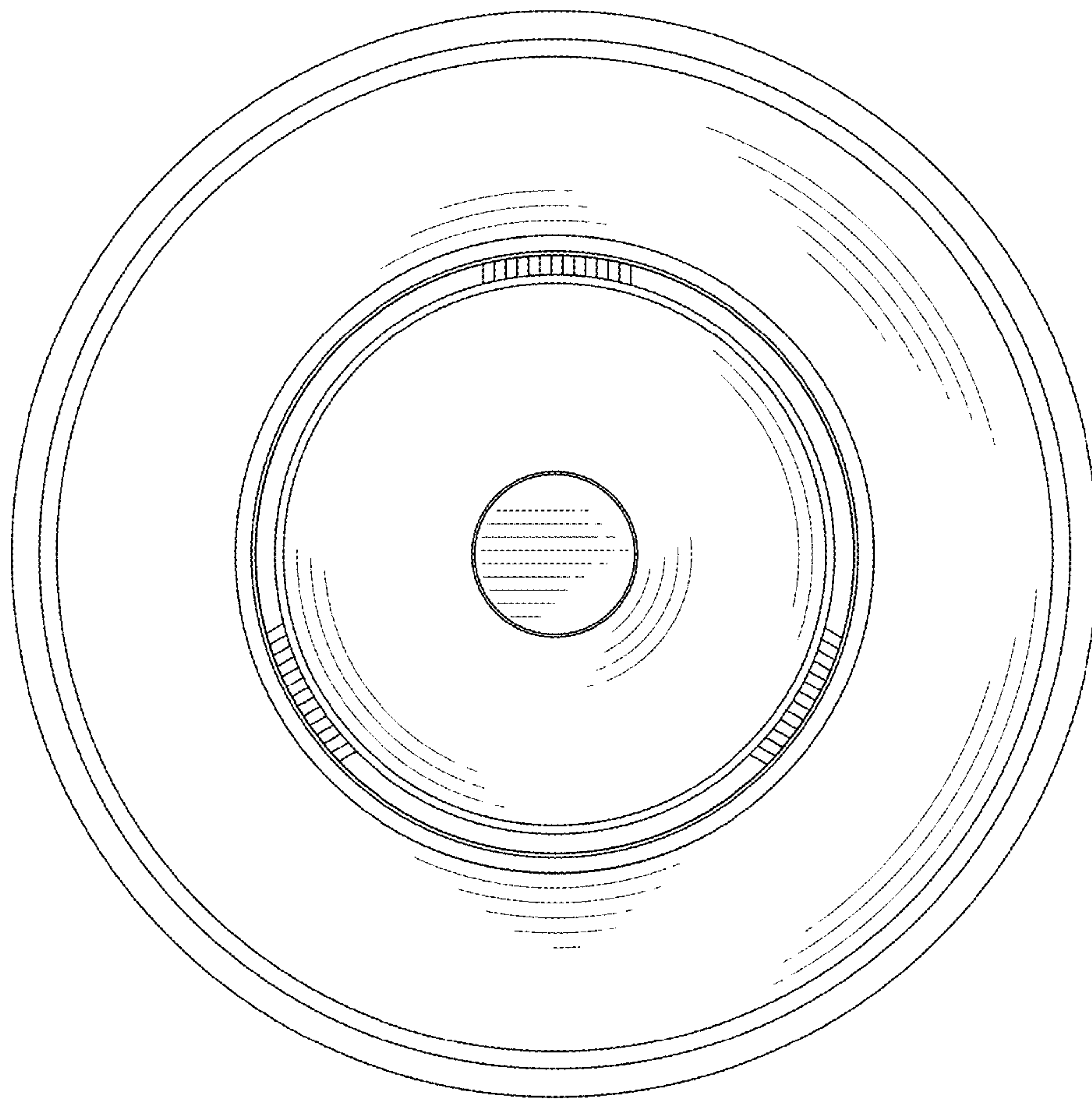


Fig.8

