



US00D771599S

(12) **United States Design Patent**
Kim

(10) **Patent No.:** **US D771,599 S**

(45) **Date of Patent:** **** Nov. 15, 2016**

(54) **EARPHONE**

(71) Applicant: **LG ELECTRONICS INC.**, Seoul
(KR)

(72) Inventor: **Jaeyoung Kim**, Seoul (KR)

(73) Assignee: **LG ELECTRONICS INC.**, Seoul
(KR)

(**) Term: **15 Years**

(21) Appl. No.: **29/532,897**

(22) Filed: **Jul. 10, 2015**

(30) **Foreign Application Priority Data**

Jan. 13, 2015 (KR) 30-2015-0001633

(51) **LOC (10) Cl.** **14-01**

(52) **U.S. Cl.**
USPC **D14/223**

(58) **Field of Classification Search**
USPC D14/223, 205; D8/395, 388; D11/200,
D11/216; 24/3.1, 3.6; 63/12, 14.4; 181/129,
181/130, 135; 379/430, 431; 381/380, 381;
455/90.3, 575.1

CPC H04R 1/10; H04R 25/00; H04R 5/033;
H04R 5/0335

See application file for complete search history.

(56) **References Cited**

U.S. PATENT DOCUMENTS

- D48,610 S * 2/1916 Rourk D3/207
- 1,621,008 A * 3/1927 Fricker B42F 1/06
132/284
- D92,879 S * 7/1934 Canteer D19/65
- 2,377,739 A * 6/1945 Wyckoff A61F 11/008
181/132
- 2,474,135 A * 6/1949 White H04R 25/656
381/330
- D180,695 S * 7/1957 Norris D14/192
- D197,177 S * 12/1963 Swett D28/51
- 4,133,984 A * 1/1979 Akiyama H04R 25/456
181/135

- D295,501 S * 5/1988 Brayford D10/15
- 4,881,616 A * 11/1989 Janssen H04R 25/60
181/129
- D315,675 S * 3/1991 Kennedy D32/64
- D340,932 S * 11/1993 Yan D14/249
- D350,757 S * 9/1994 Carpenter D14/223
- D357,921 S * 5/1995 Ming-Chin D14/223
- D375,959 S * 11/1996 Davis D14/206
- D382,874 S * 8/1997 Peschke D14/142
- D383,757 S * 9/1997 Dobrusskin D14/223
- 5,697,131 A * 12/1997 Hunt B42F 1/06
24/336
- 5,809,159 A * 9/1998 Lee H04M 1/05
381/174
- 5,953,435 A * 9/1999 Mullin H04R 1/105
381/328
- 6,038,329 A * 3/2000 Lee H04R 1/105
379/430

(Continued)

Primary Examiner — Paula Greene

(74) *Attorney, Agent, or Firm* — Birch, Stewart,
Kolasch & Birch, LLP

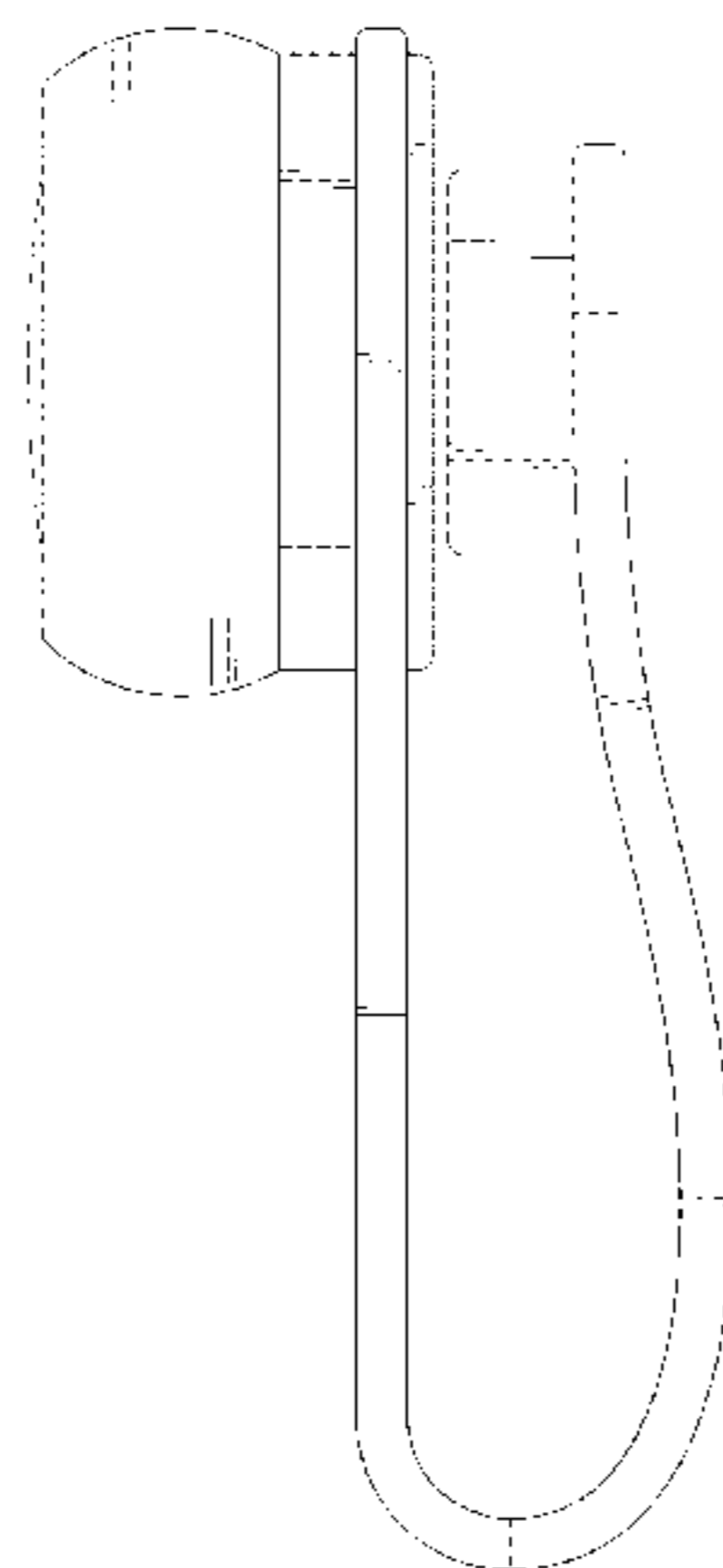
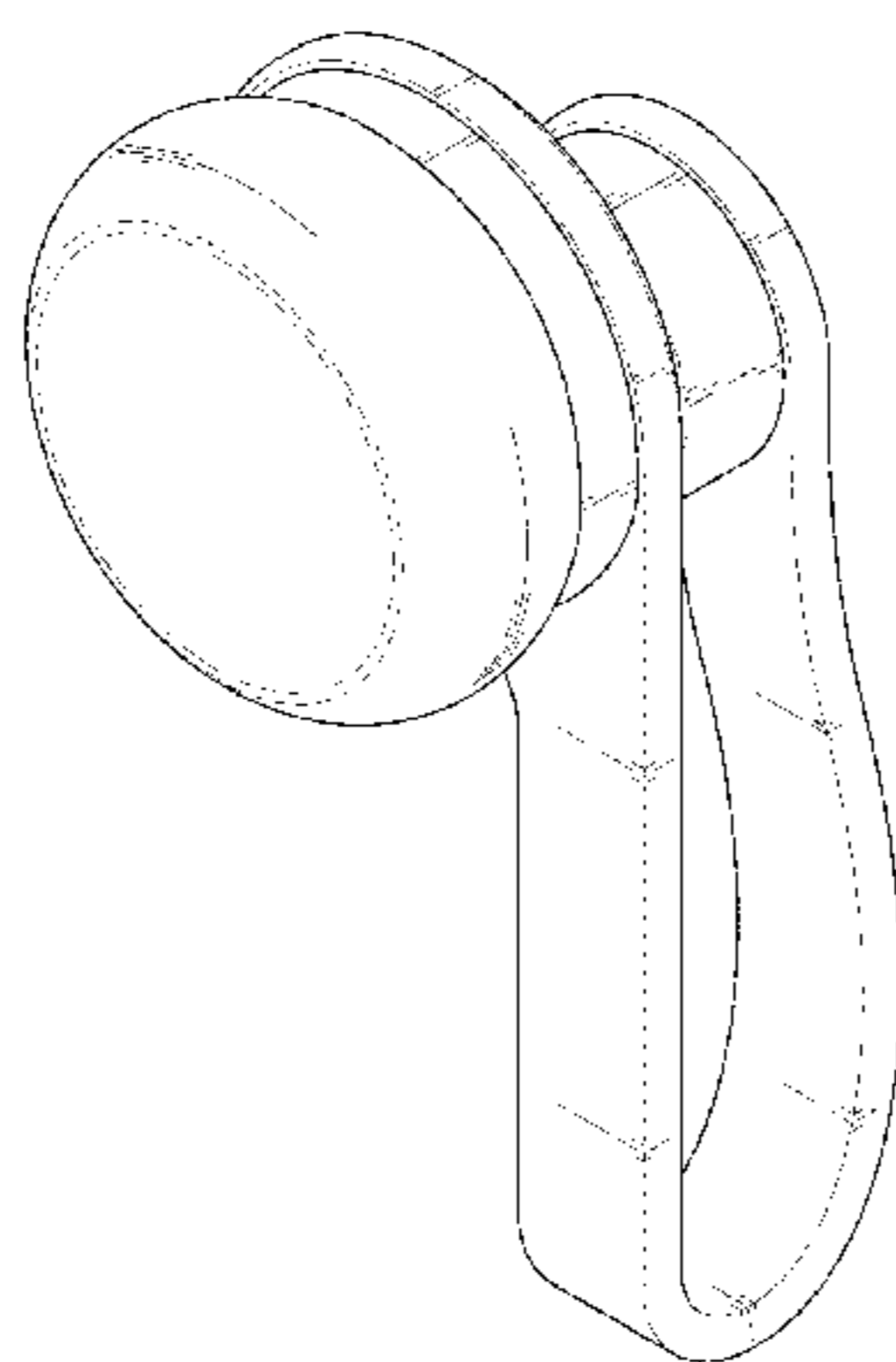
(57) **CLAIM**

The ornamental design for an earphone, as shown and described.

DESCRIPTION

FIG. 1 is a perspective view of an earphone showing my new design;
 FIG. 2 is a front view thereof where the rear view is a mirror image;
 FIG. 3 is a left side view thereof;
 FIG. 4 is a right side view thereof;
 FIG. 5 is a top plan view thereof;
 FIG. 6 is a bottom plan view thereof;
 FIG. 7 is a reference view showing that the outer part and inner part can be spread out;
 FIG. 8 is a reference view thereof showing an example of the usage of the subject design in a condition that the outer part and inner part are not spread out and then inserted into the inside of the ear of the user; and, FIG. 9 is a reference view thereof showing an example of the usage of the subject design in a condition that the outer part and inner part are spread out and then attached to auricle of the user.
 The broken lines depict portions of the earphone that form no part of the claimed design.

1 Claim, 8 Drawing Sheets



(56)

References Cited

U.S. PATENT DOCUMENTS

D472,890 S *	4/2003	Suzuki	D14/223	D561,739 S *	2/2008	Ikeda	D14/206
6,580,800 B1 *	6/2003	Yamasaki	H04R 1/105 381/379	D593,075 S *	5/2009	Williams	D14/223
D512,049 S *	11/2005	Yang	D14/205	D599,781 S *	9/2009	Lee	D14/205
D512,990 S *	12/2005	Yang	D14/205	D618,211 S *	6/2010	Oguro	D14/205
D514,551 S *	2/2006	Lee	D14/205	D633,899 S *	3/2011	Zheng	D14/223
D529,901 S *	10/2006	Ohta	D14/223	D637,182 S *	5/2011	Lee	D14/223
D542,782 S *	5/2007	Pena Angarita	D14/223	D673,531 S *	1/2013	Lee	D14/223
D554,109 S *	10/2007	Ledbetter	D14/223	D717,767 S *	11/2014	Mistry	D14/206
					D727,301 S *	4/2015	Smith	D14/205
					D735,699 S *	8/2015	Yasuda	D14/223
					D751,530 S *	3/2016	Kolton	D14/205
					D756,971 S *	5/2016	Park	D14/223

* cited by examiner

FIG. 1

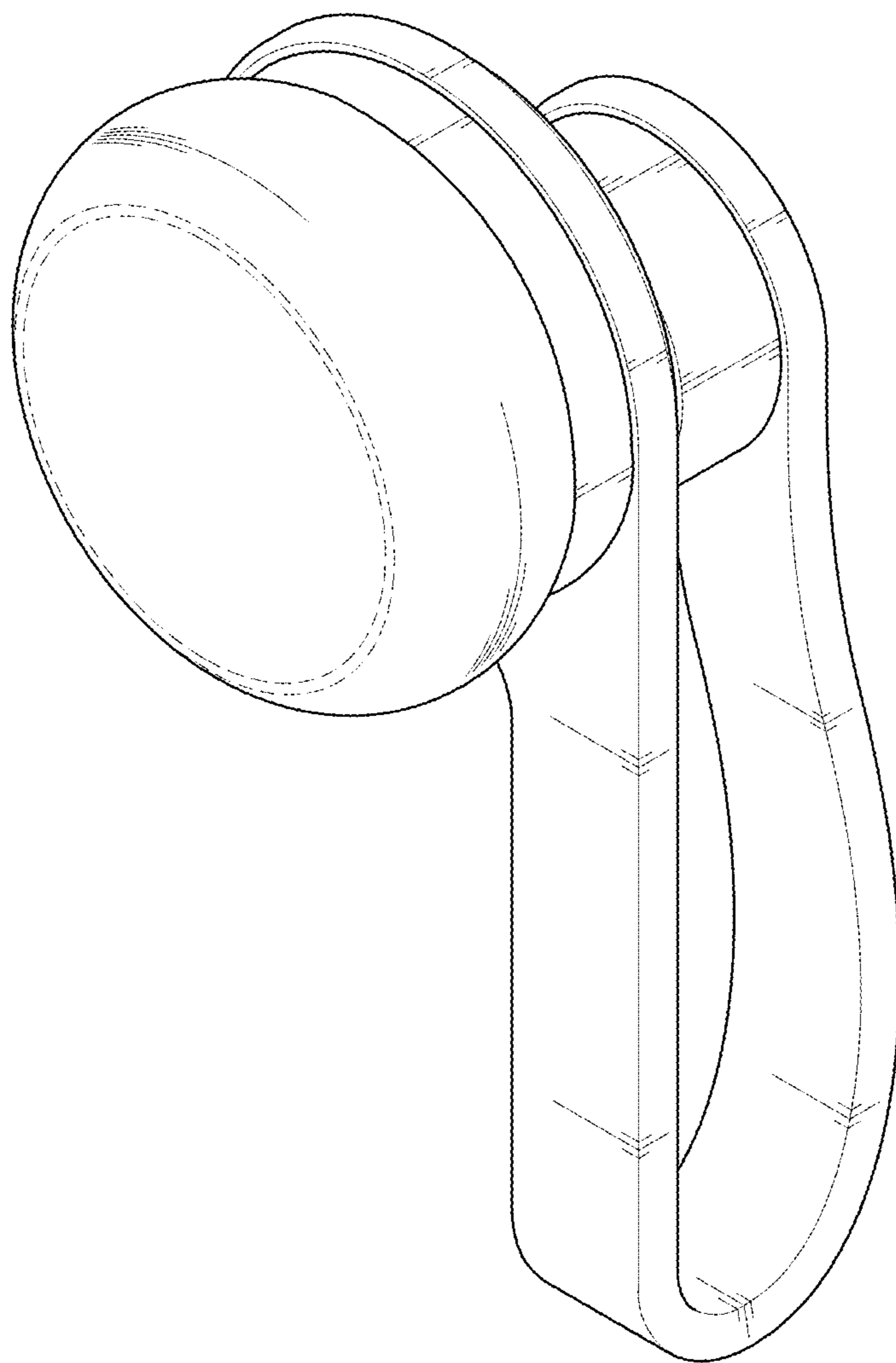


FIG. 2

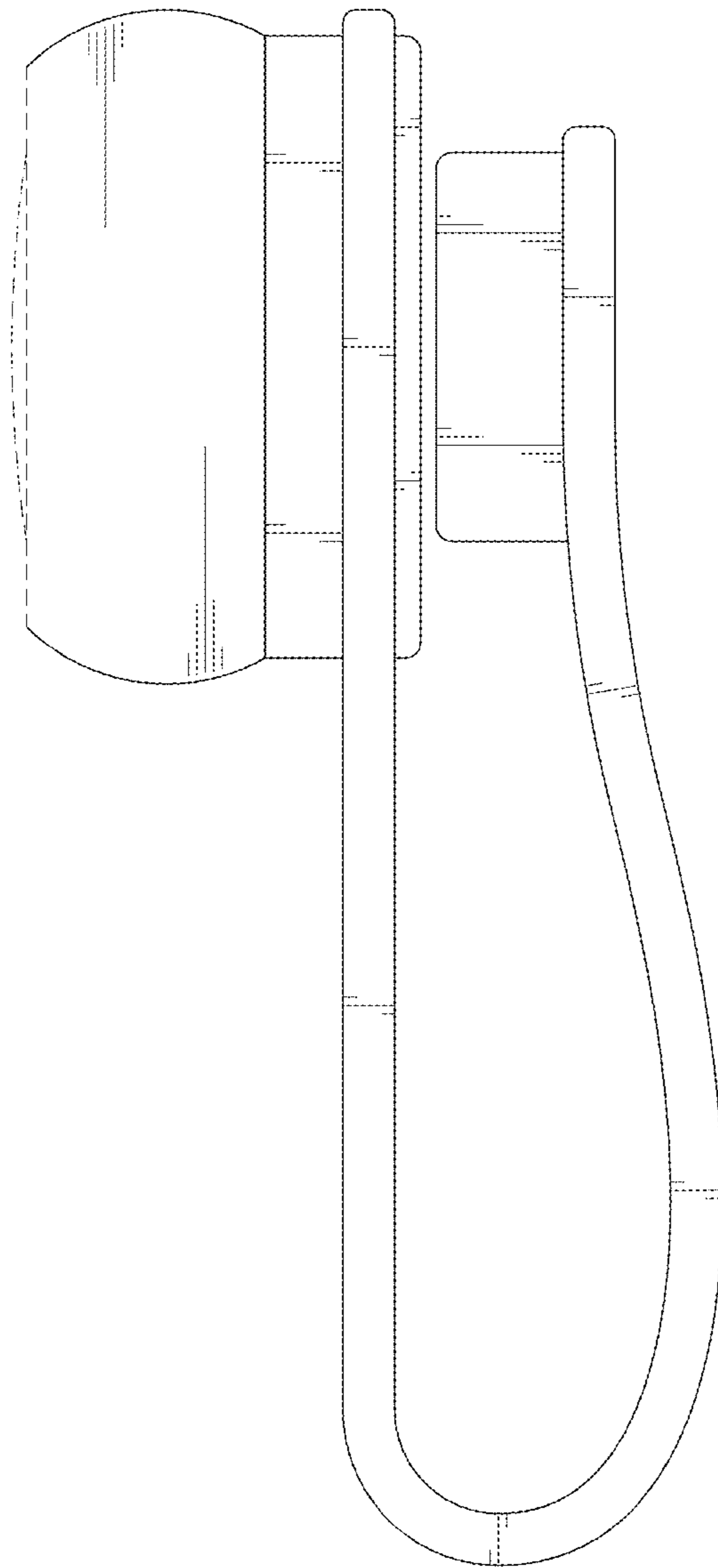


FIG. 3

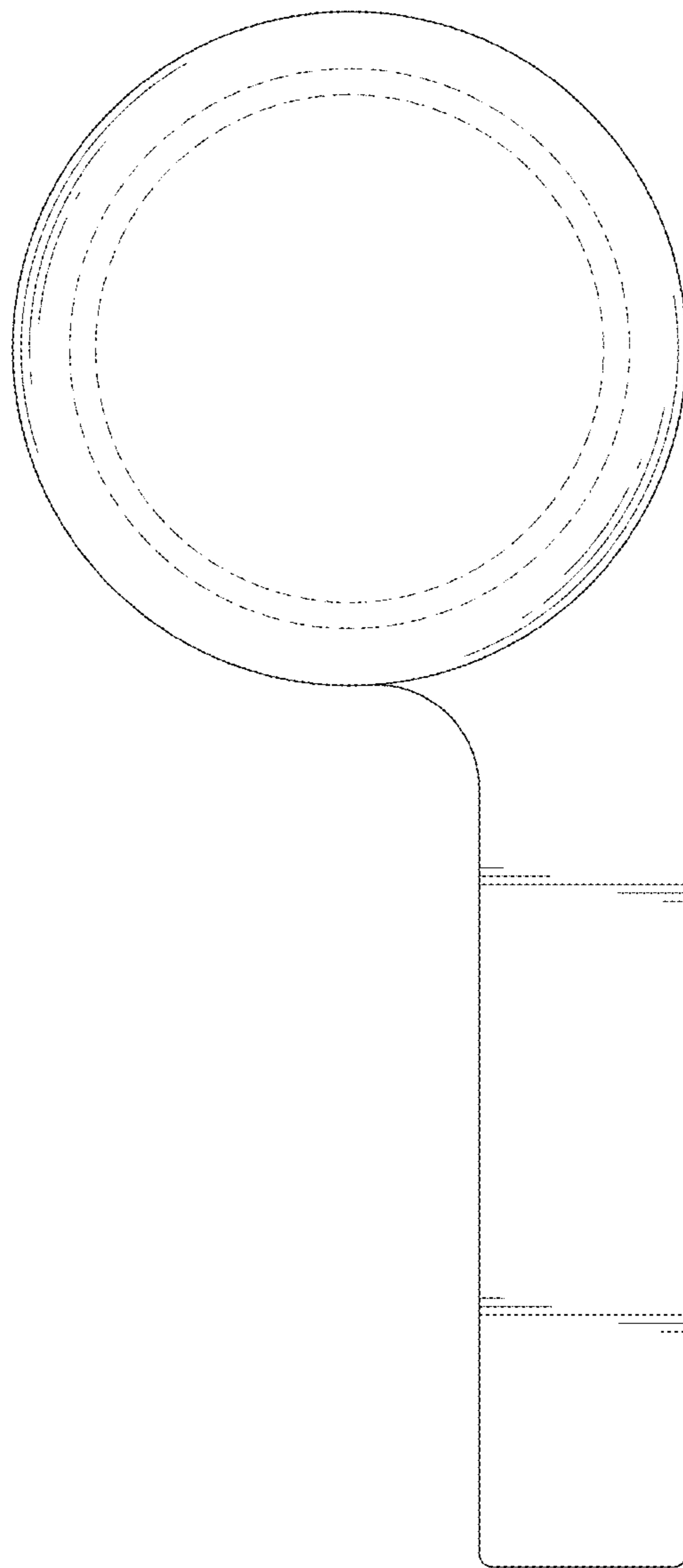


FIG. 4

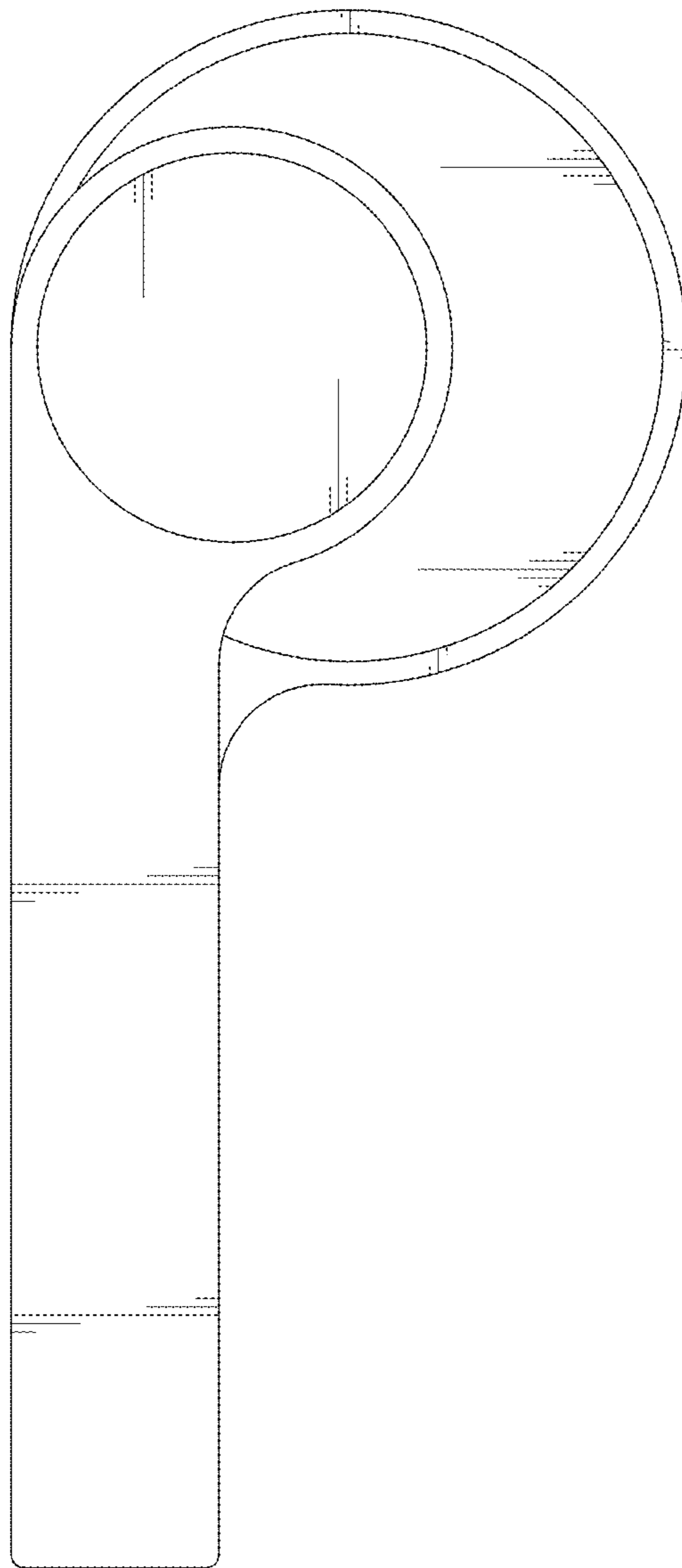


FIG. 5

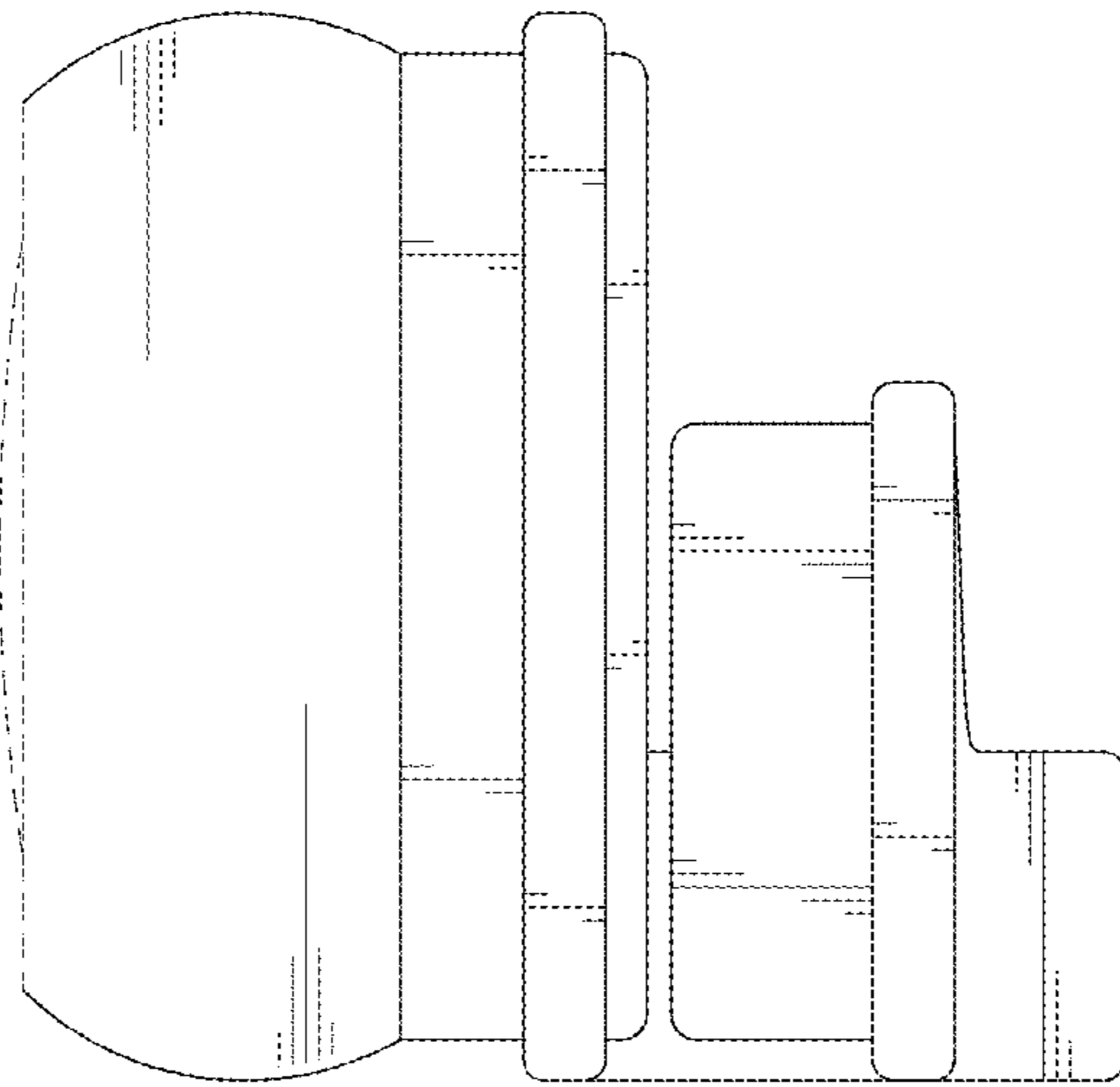


FIG. 6

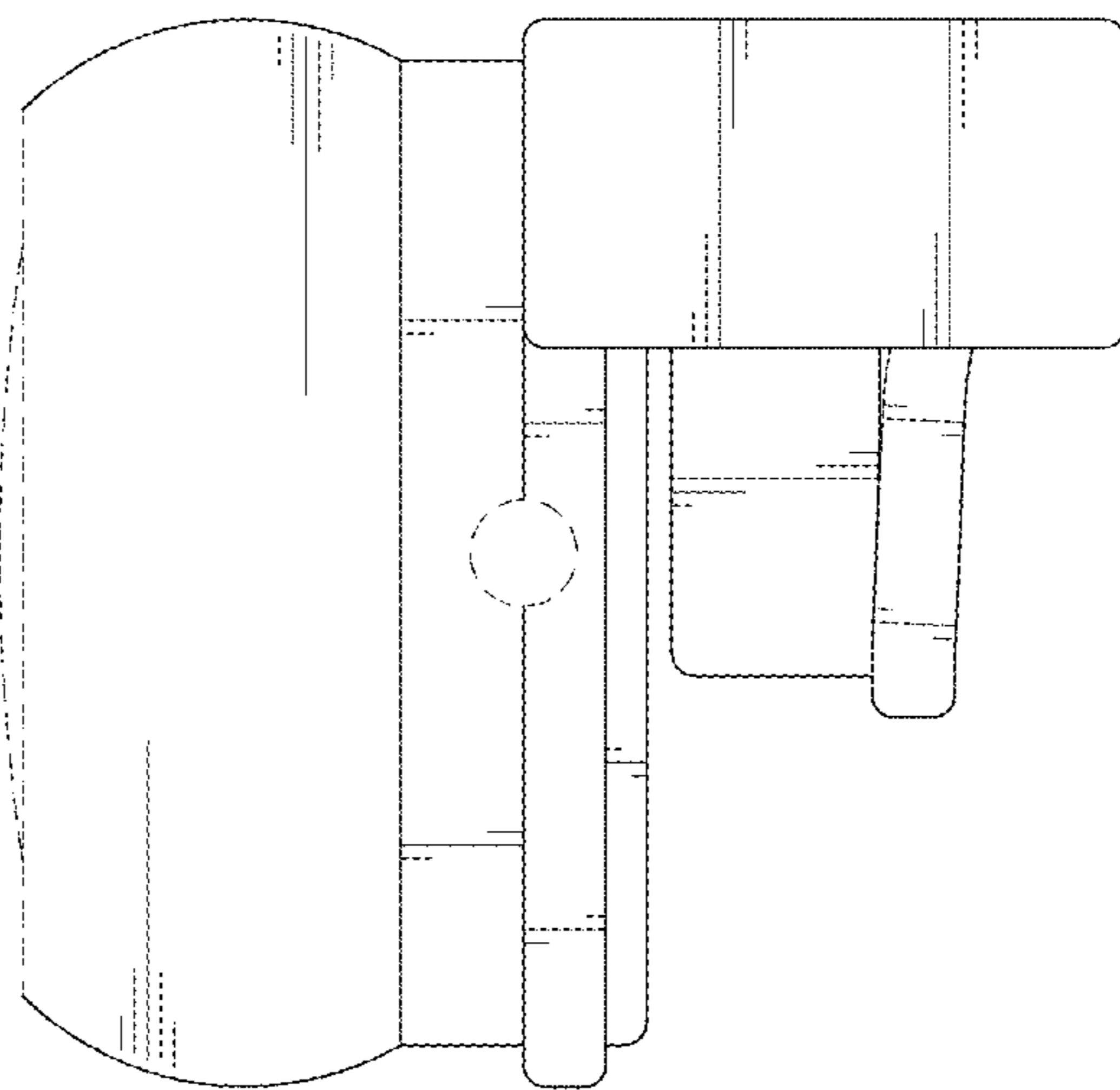


FIG. 7

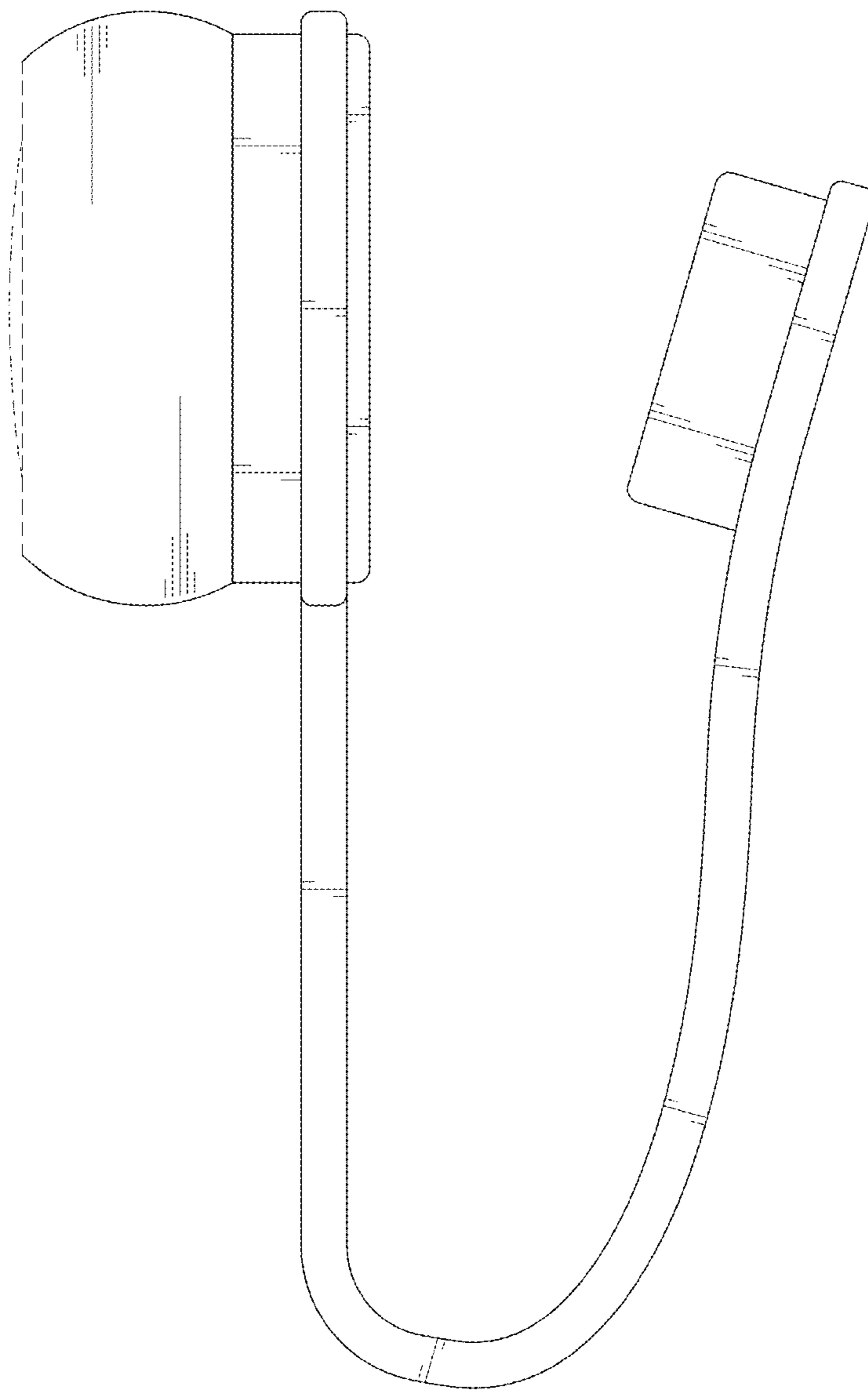


FIG. 8

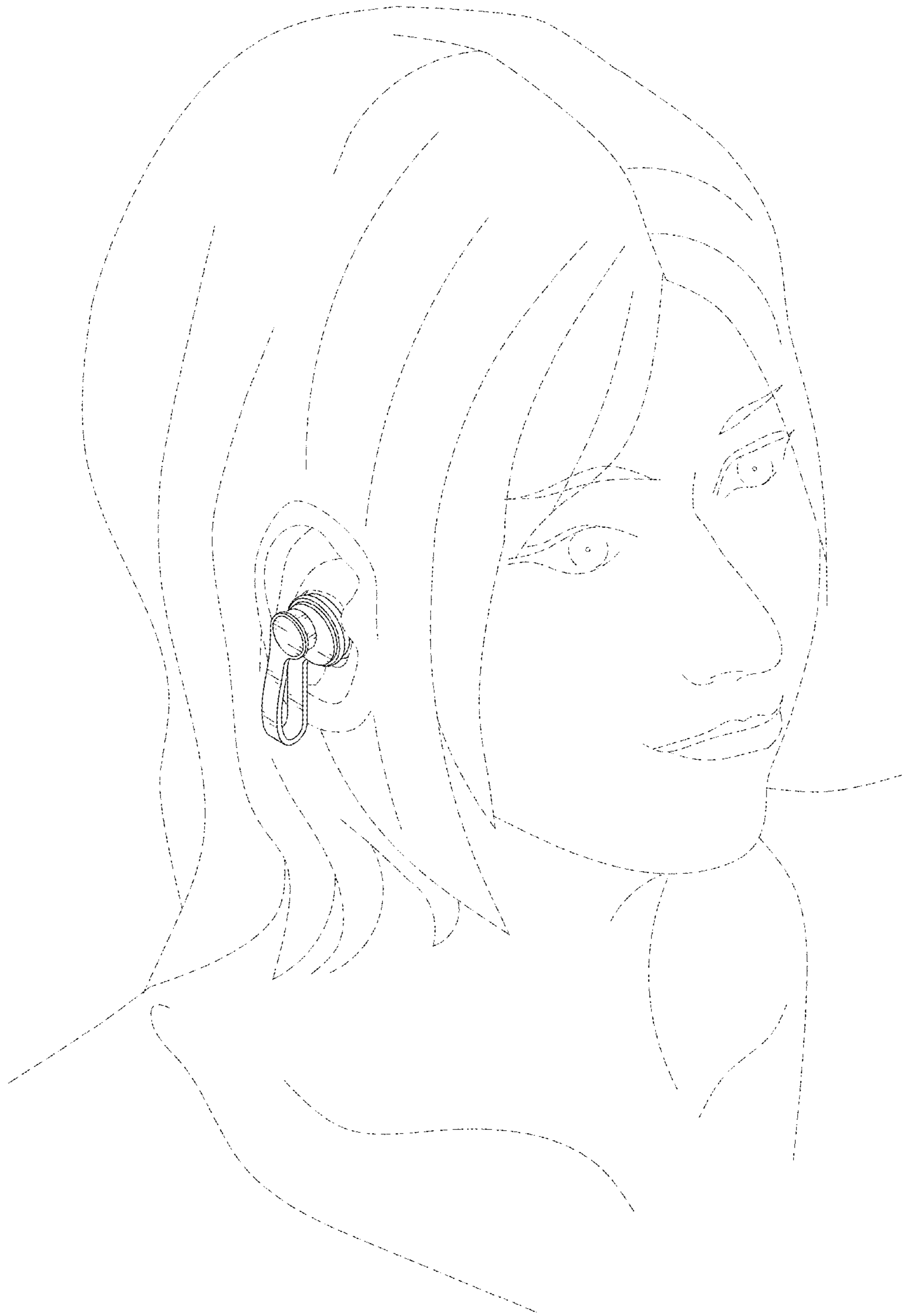


FIG. 9

