



US00D771596S

(12) **United States Design Patent** (10) **Patent No.:** **US D771,596 S**  
**Gelderen et al.** (45) **Date of Patent:** **\*\* Nov. 15, 2016**

(54) **CONTROLLER**

D687,415 S \* 8/2013 Vuillet ..... D11/3  
D717,279 S \* 11/2014 Wai ..... D14/218  
D722,045 S \* 2/2015 Mok ..... D14/218

(71) Applicant: **Nuna International B.V.**, Erp (NL)

\* cited by examiner

(72) Inventors: **Martijn van Gelderen**, Leiderdorp (NL); **Guyot Duquesnoy**, Rotterdam (NL); **Man-qun Cheng**, Erp (NL)

*Primary Examiner* — Ralf Seifert

(73) Assignee: **NUNA INTERNATIONAL B.V.** (NL)

(74) *Attorney, Agent, or Firm* — Bacon & Thomas, PLLC

(\*\*) Term: **14 Years**

(57) **CLAIM**

(21) Appl. No.: **29/524,196**

The ornamental design for a controller, as shown and described.

(22) Filed: **Apr. 17, 2015**

(30) **Foreign Application Priority Data**

**DESCRIPTION**

Nov. 13, 2014 (CN) ..... 2014 3 0446018

(51) **LOC (10) Cl.** ..... **14-03**

(52) **U.S. Cl.**  
USPC ..... **D14/218**

(58) **Field of Classification Search**  
USPC ..... D14/137, 174, 217–218, 240, 247,  
D14/388–390, 396, 511; D21/516;  
D13/162–164, 168; 715/738; 434/350;  
600/323; 348/211.99, 14.05, 114, 734;  
341/175–176; 455/575.1  
CPC ..... G08C 23/04; G08C 19/12; H04N 5/44;  
H04L 17/02  
See application file for complete search history.

FIG. 1 is a perspective view of a controller showing our new design;

FIG. 2 is a front view;

FIG. 3 is a rear view;

FIG. 4 is a top view;

FIG. 5 is a bottom view;

FIG. 6 is a left side view;

FIG. 7 is a right side view;

FIG. 8 is a view showing the controller shown in FIG. 1 in a position of use; and,

FIG. 9 is another view showing the controller shown in FIG. 1 in a position of use.

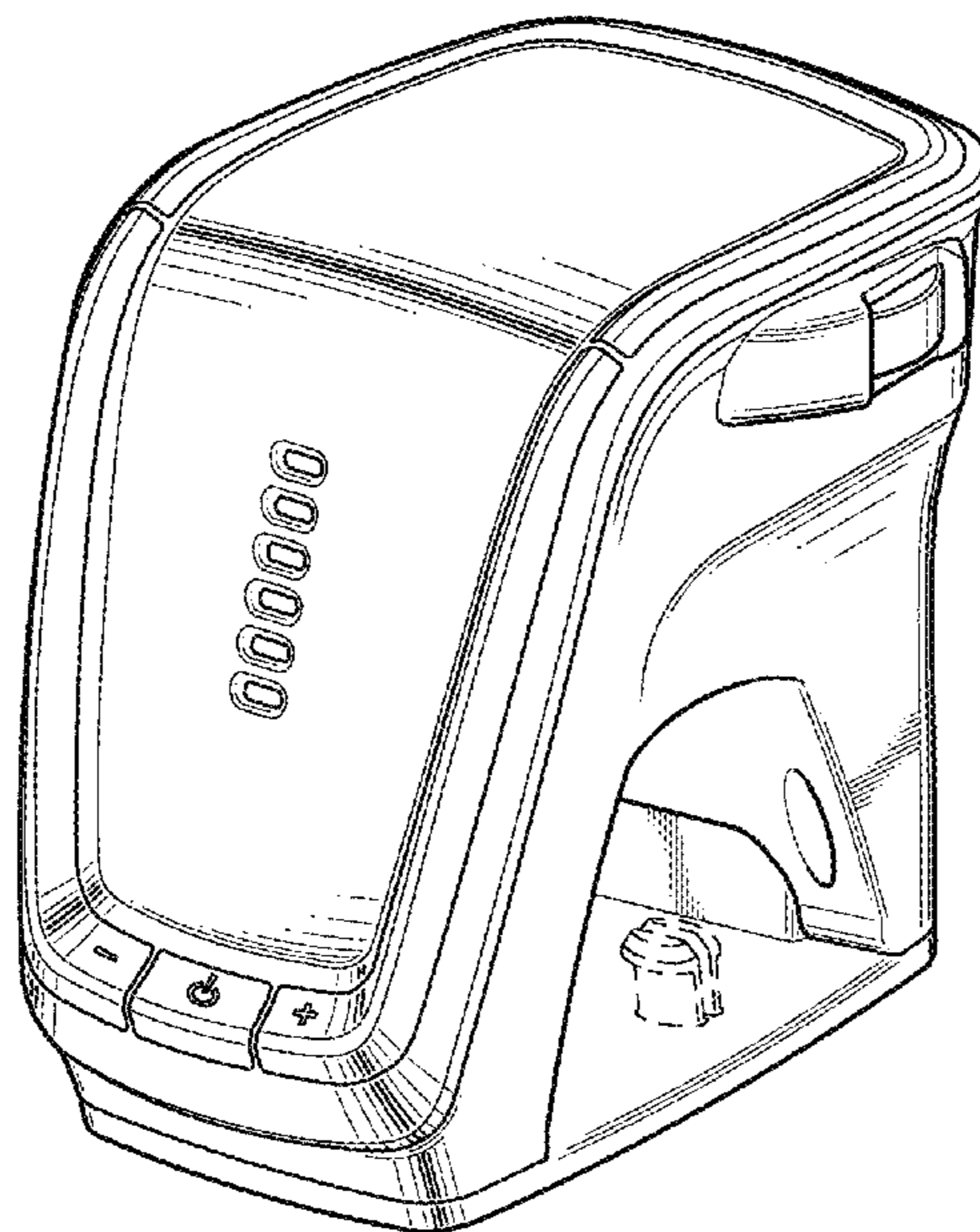
The broken lines shown in the drawings are for illustrative purposes only and form no part of the claimed design.

(56) **References Cited**

**U.S. PATENT DOCUMENTS**

D550,214 S \* 9/2007 Francz ..... D14/218  
7,456,777 B2 \* 11/2008 Piekarz ..... B60R 11/0264  
224/577  
D587,668 S \* 3/2009 Bang ..... D14/138 AD

**1 Claim, 9 Drawing Sheets**



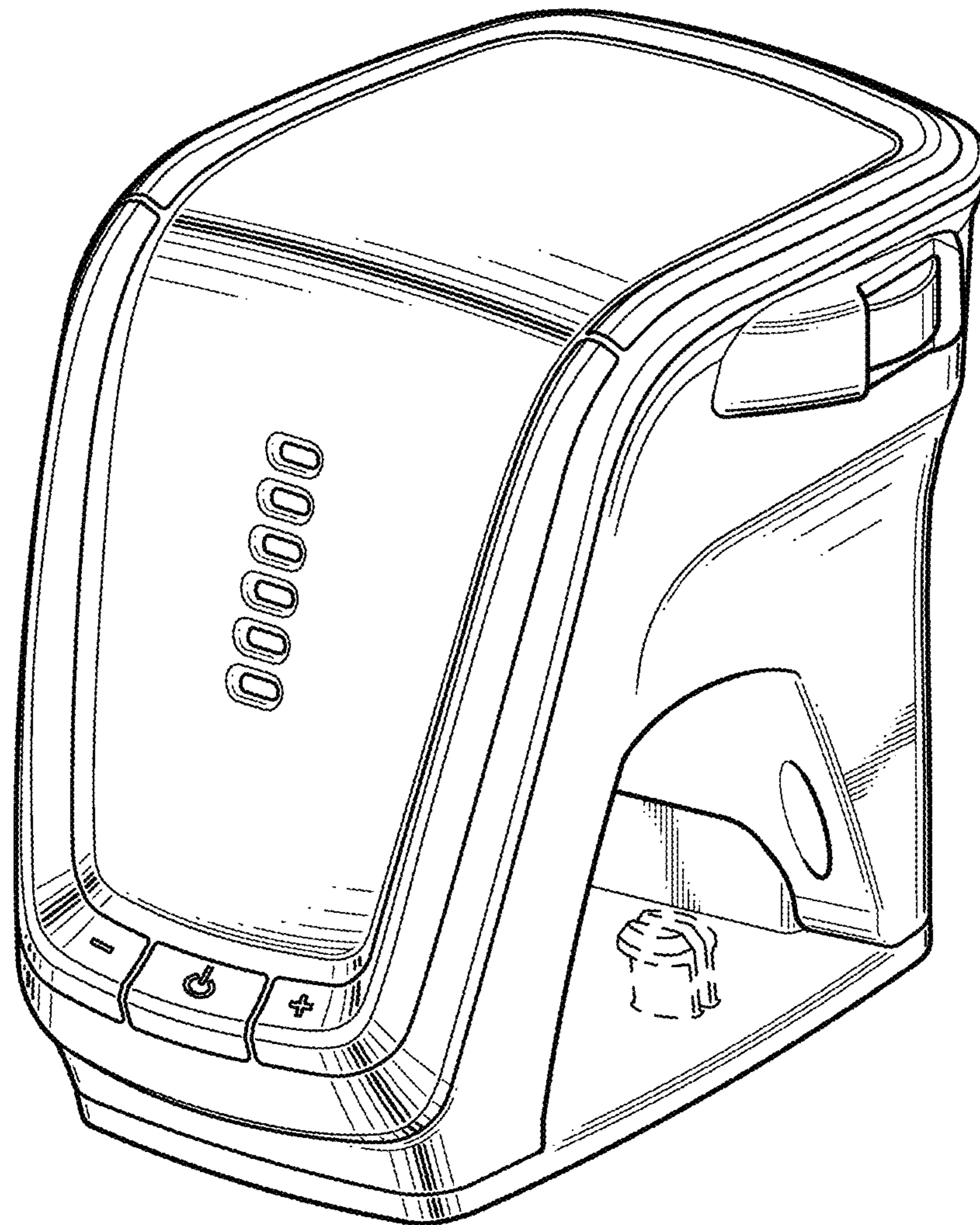


Fig. 1

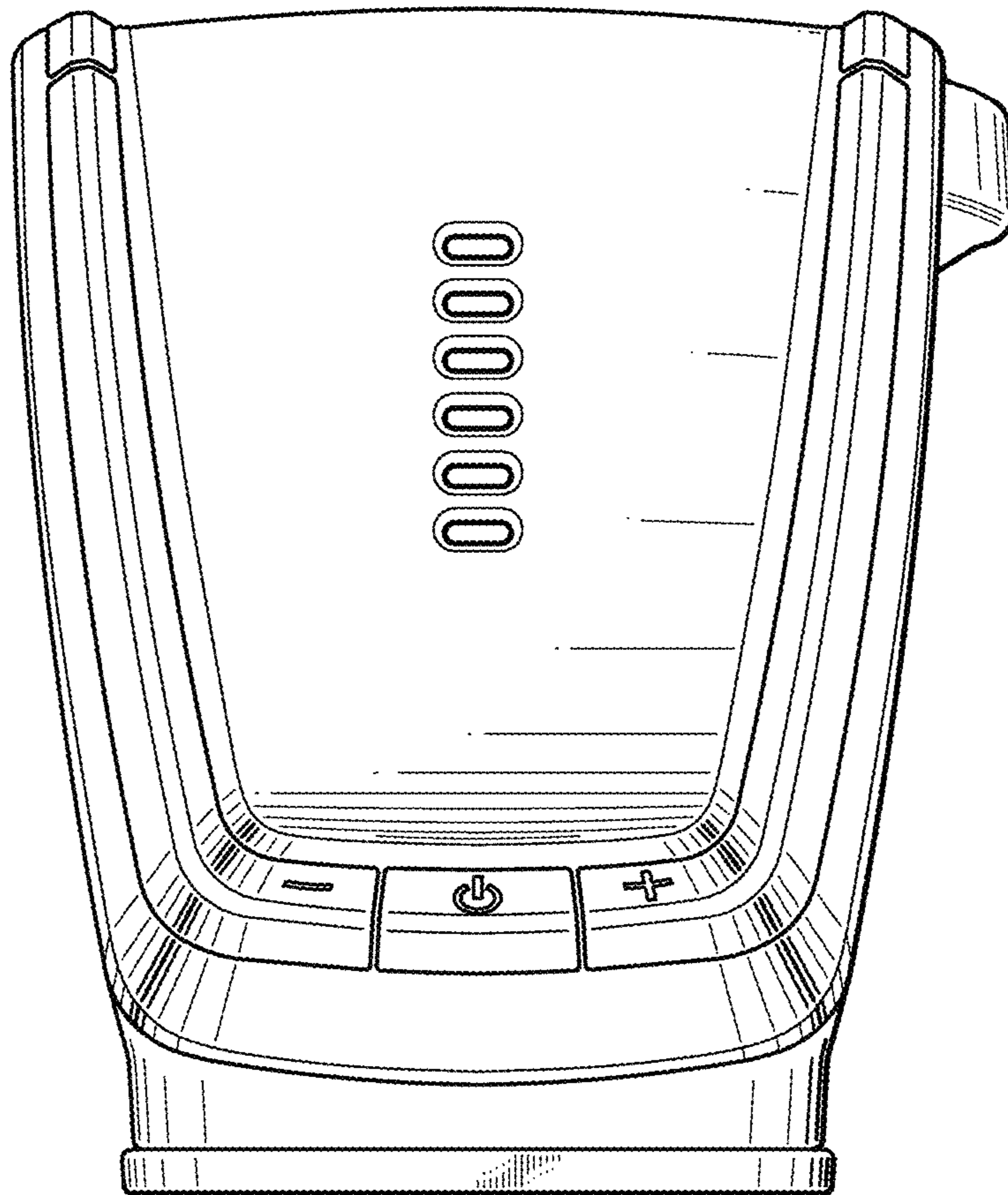


Fig. 2

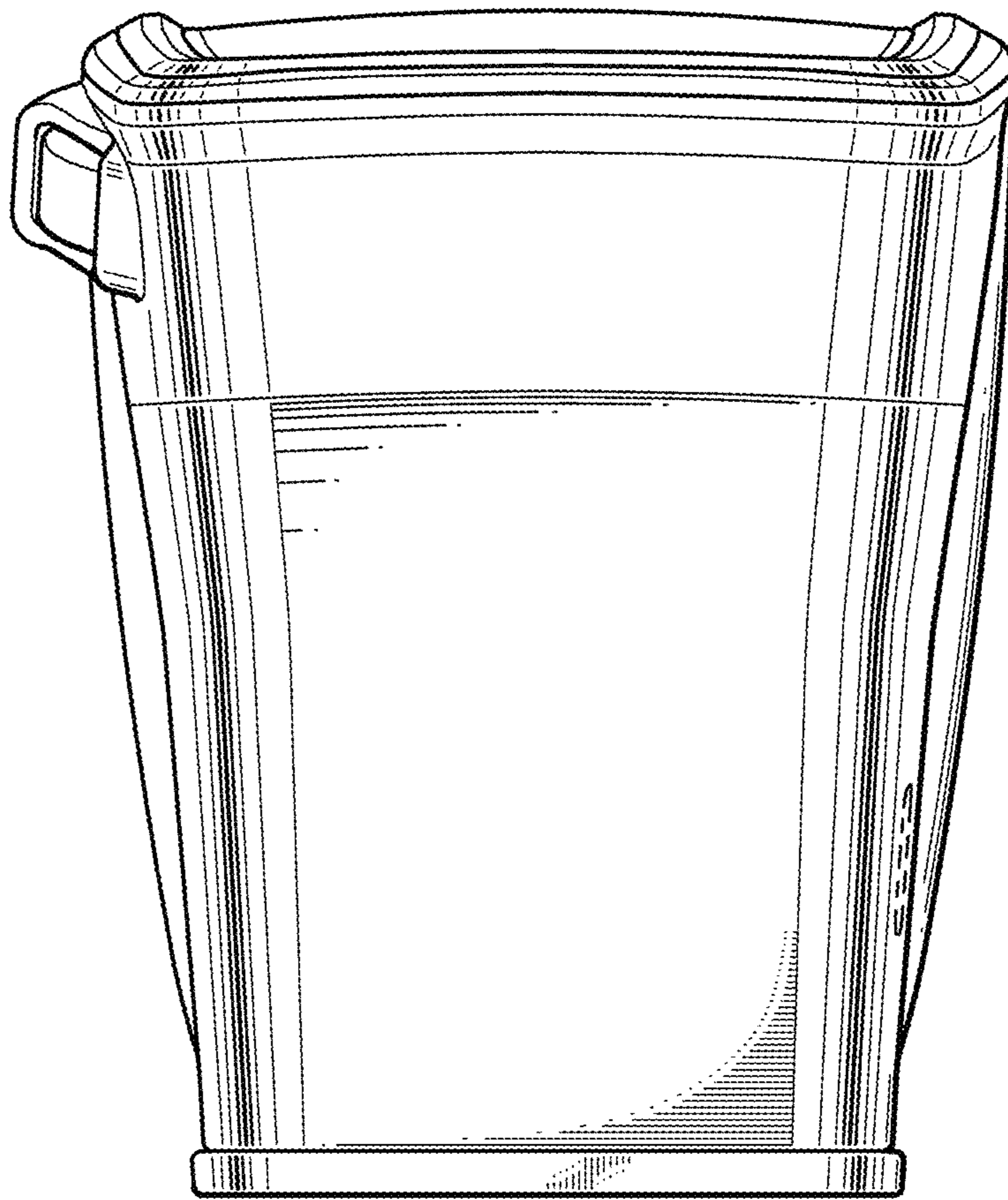


Fig. 3

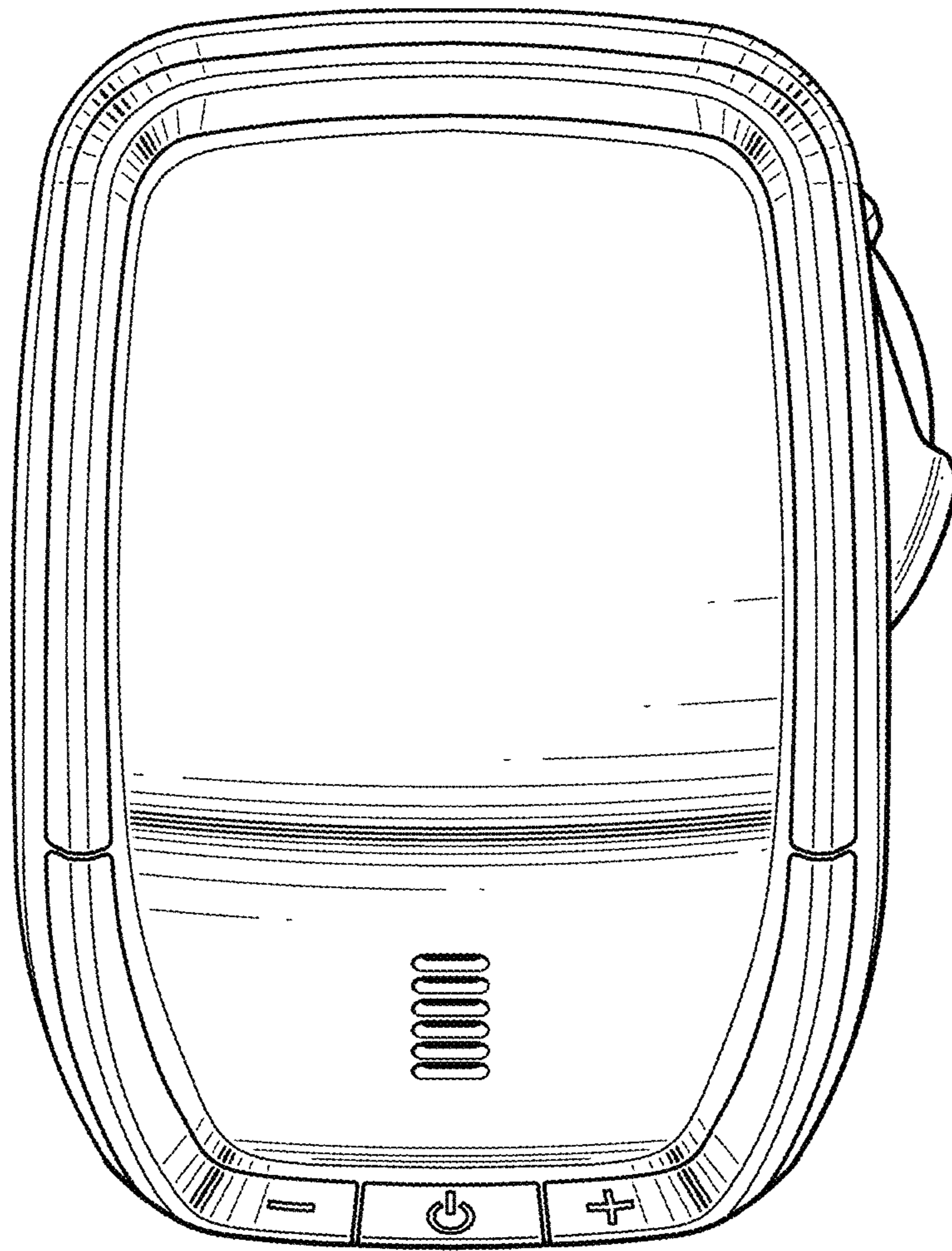


Fig. 4

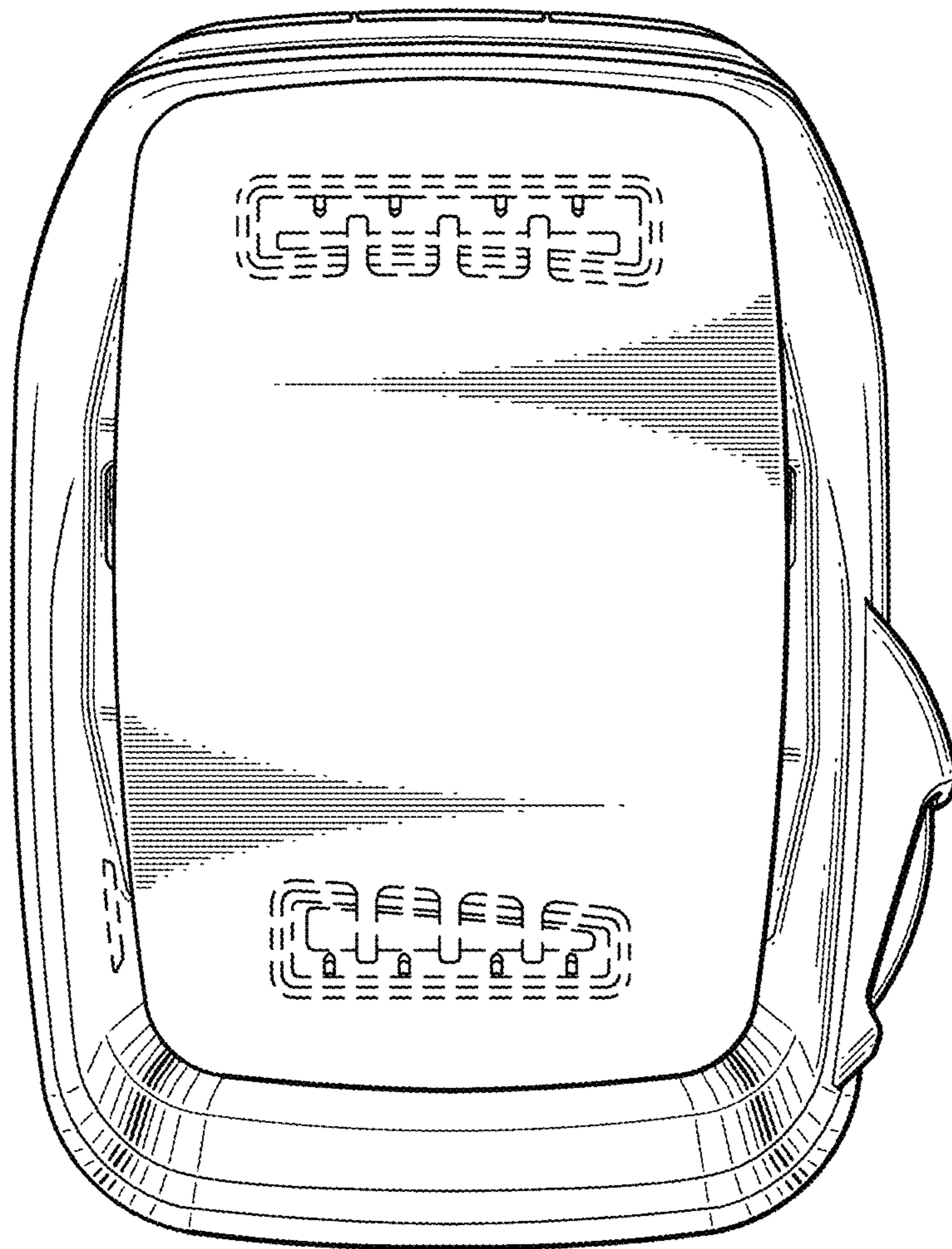


Fig. 5

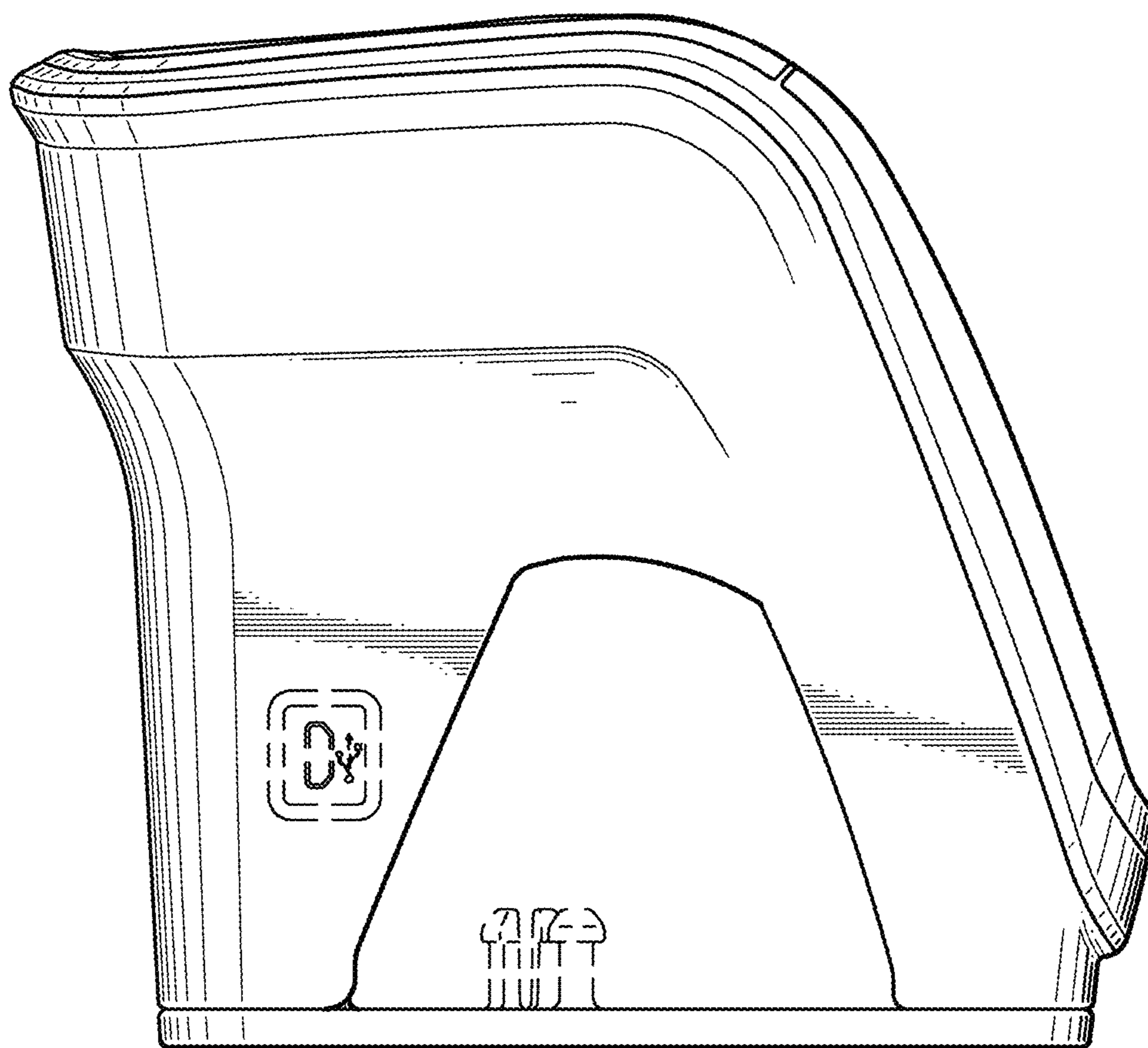


Fig. 6

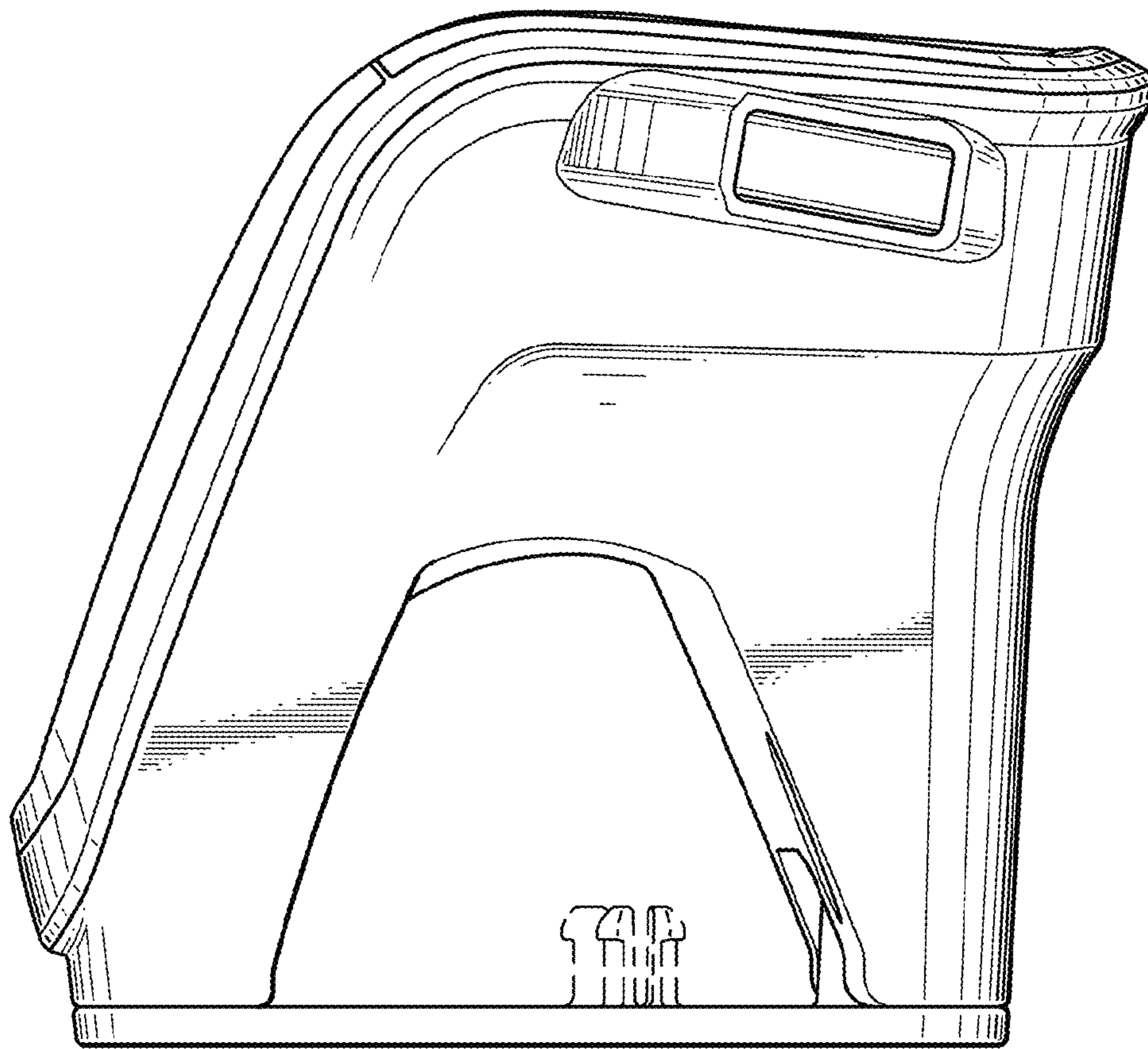


Fig. 7



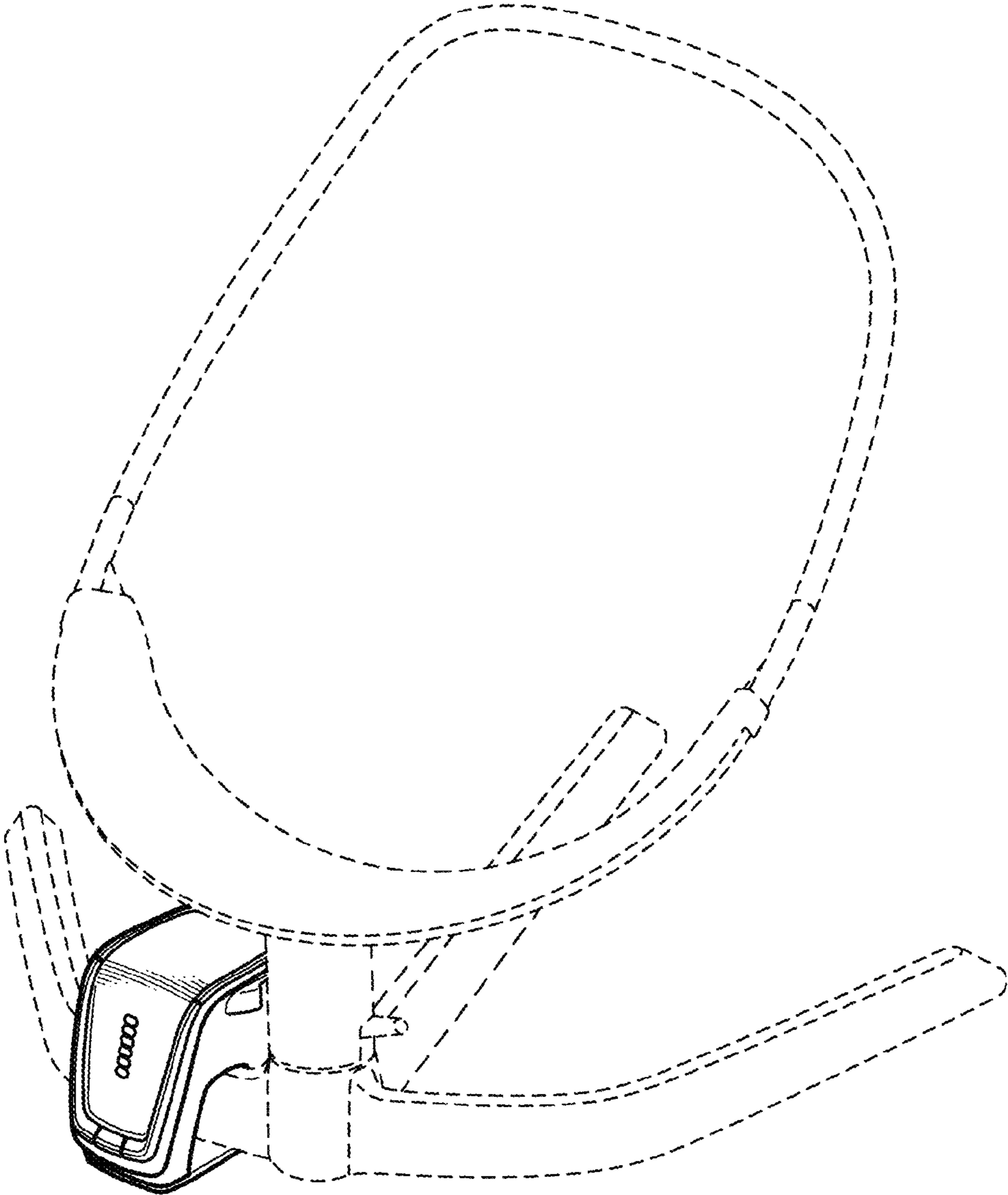


Fig. 8

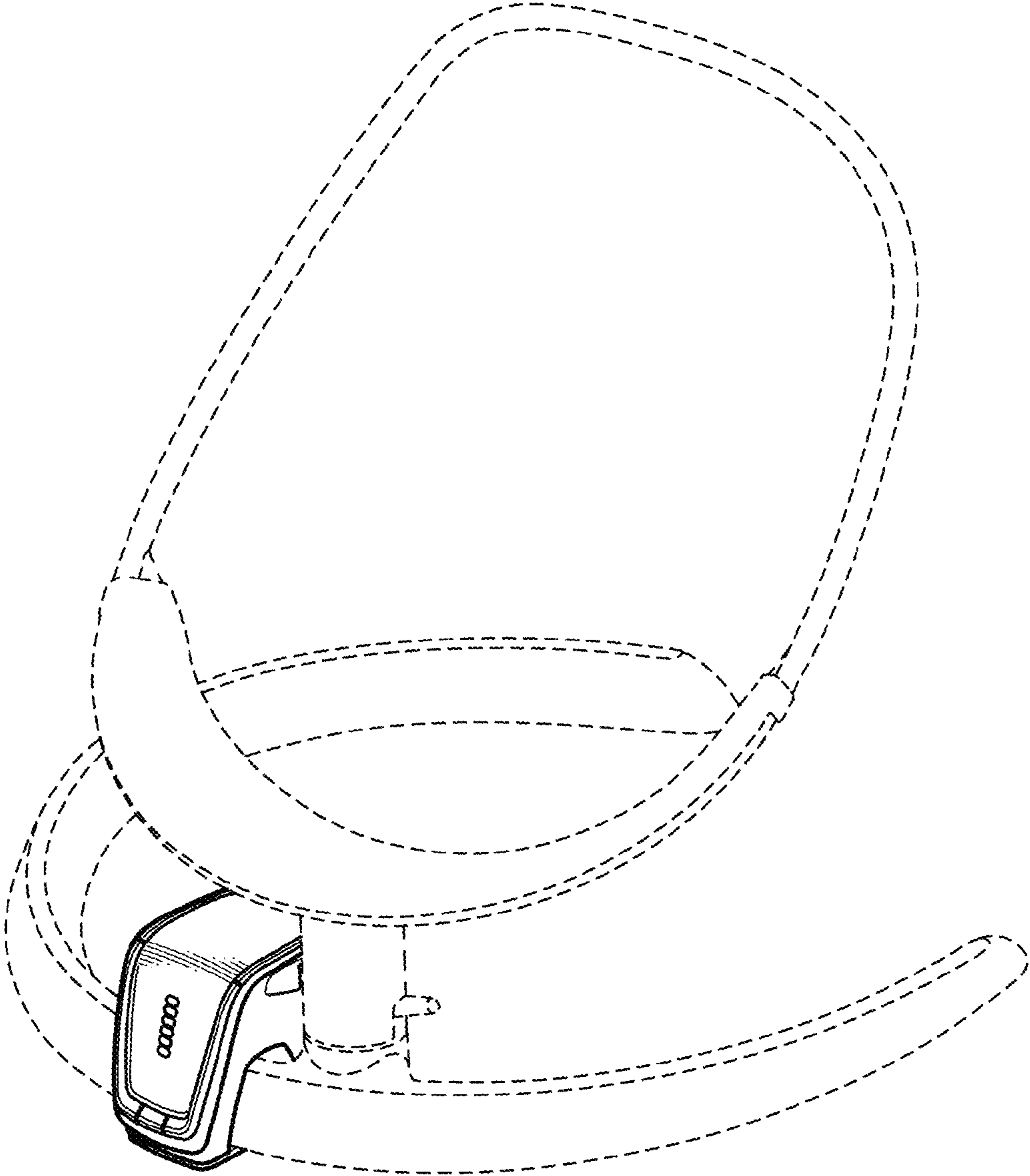


Fig. 9