



US00D771591S

(12) **United States Design Patent**
Carbone et al.

(10) **Patent No.:** **US D771,591 S**
(45) **Date of Patent:** **** Nov. 15, 2016**

- (54) **AUDIO SYSTEM**
- (71) Applicant: **Bose Corporation**, Framingham, MI (US)
- (72) Inventors: **Richard J. Carbone**, Sterling, MA (US); **Jingwei Dang**, Auburn, MA (US); **David H. Pitcher**, Worcester, MA (US)
- (73) Assignee: **Bose Corporation**, Framingham, MA (US)

| | | | | | |
|-----------|------|---------|---------|-------|---------------------------|
| 7,689,199 | B2 * | 3/2010 | Gough | | H04M 1/72577 455/404.1 |
| D659,119 | S * | 5/2012 | Brunner | | D14/209.1 |
| D695,705 | S * | 12/2013 | Shimizu | | D14/172 |
| 8,688,431 | B2 * | 4/2014 | Lyons | | G06F 3/162 703/21 |
| 9,049,518 | B2 * | 6/2015 | Freeman | | H04S 3/008 |
| 9,137,602 | B2 * | 9/2015 | Mayman | | G06F 1/1632 381/109 |
| 9,185,103 | B2 * | 11/2015 | Lang | | H04N 21/25875 |
| 9,277,307 | B2 * | 3/2016 | Conrad | | H04R 1/028 |
| D755,156 | S * | 5/2016 | Pupecki | | D14/204 |
| 9,343,818 | B2 * | 5/2016 | Chen | | H01Q 1/22 |
| D758,994 | S * | 6/2016 | Jang | | D14/214 |

(**) Term: **15 Years**

* cited by examiner

(21) Appl. No.: **29/538,018**

Primary Examiner — Prabhakar Deshmukh

(22) Filed: **Aug. 31, 2015**

(51) **LOC (10) Cl.** **14-03**

(52) **U.S. Cl.**
USPC **D14/209.1**; D14/496; D14/203.8

(58) **Field of Classification Search**
USPC D14/158, 170–172, 188, 194–196, 204, D14/201, 210–216, 209.1, 219, 221, 222, D14/224, 496, 218; 181/143, 144, 147, 148, 181/150, 163, 157, 198, 199; 381/300–303, 381/306, 332, 333, 336, 345, 361–354, 381/385–388
CPC H04M 1/035; H04R 1/02; H04R 1/06; H04R 1/025; H04R 1/323; H04R 2201/021; H04R 2400/00; G06F 1/1688
See application file for complete search history.

(56) **References Cited**

U.S. PATENT DOCUMENTS

| | | | | | |
|-----------|-----|--------|---------|-------|------------------------|
| 3,143,182 | A * | 8/1964 | Sears | | H04R 1/2811 181/153 |
| D514,090 | S * | 1/2006 | Carbone | | D14/168 |

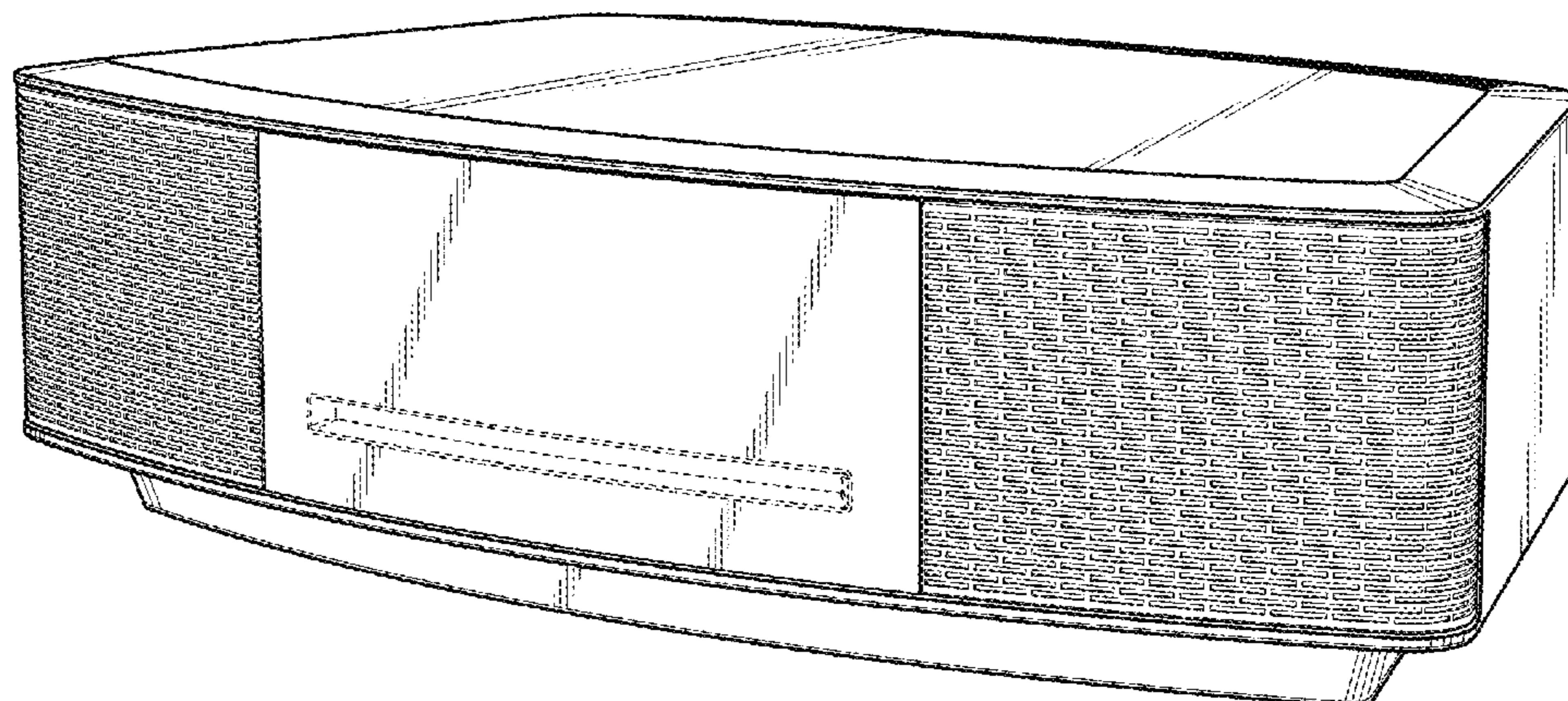
(57) **CLAIM**

The ornamental design for audio system, substantially as shown and described.

DESCRIPTION

FIG. 1 is a perspective view of an audio system as seen from the front, top and side;
FIG. 2 is a front view thereof;
FIG. 3 is a rear view thereof;
FIG. 4 is a top view thereof;
FIG. 5 is a bottom view thereof;
FIG. 6 is an opposite side view thereof; and,
FIG. 7 is a side view thereof.
The dotted line portions of the drawings represent environmental structure only and form no part of the claimed design.

1 Claim, 7 Drawing Sheets



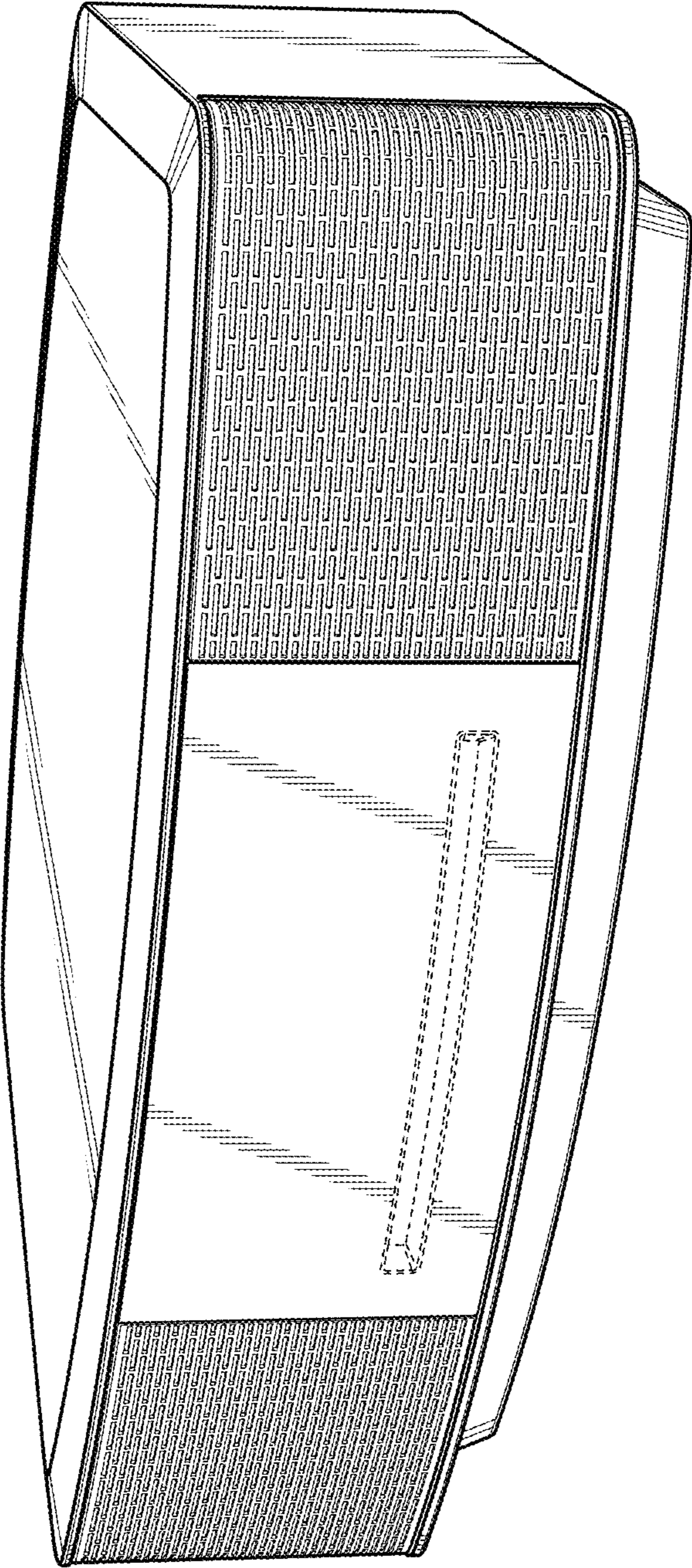


FIG. 1

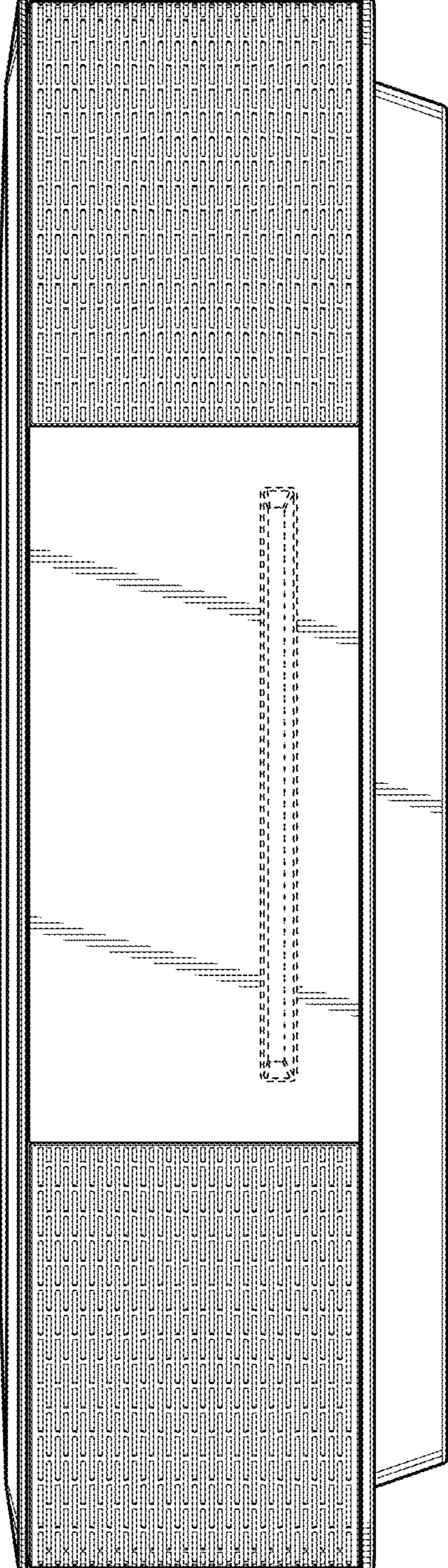


FIG. 2

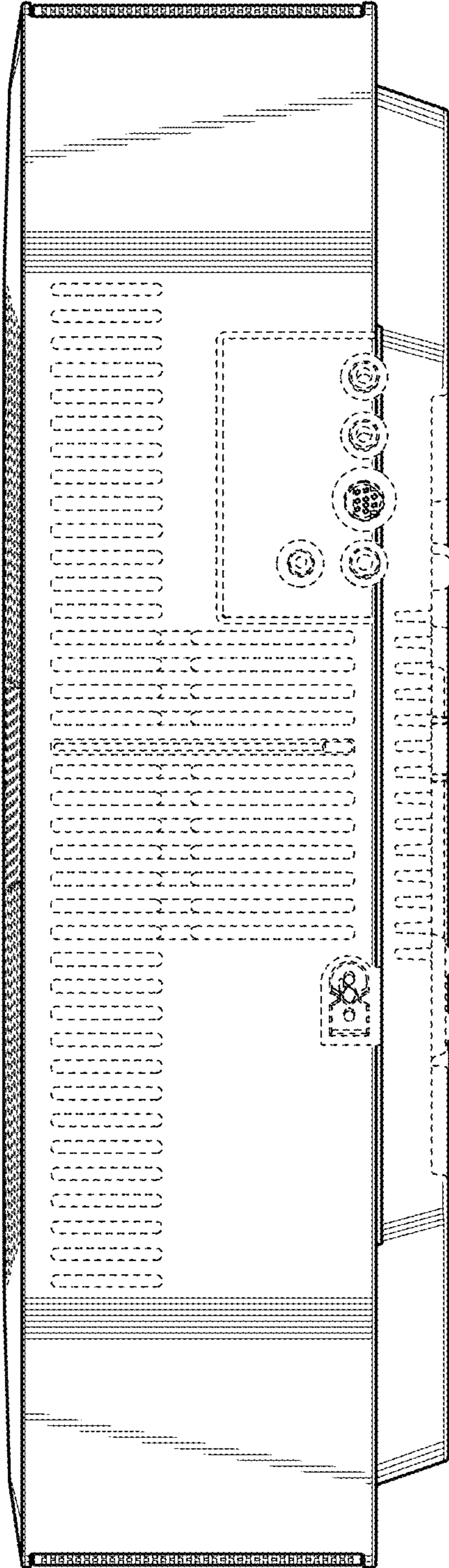


FIG. 3

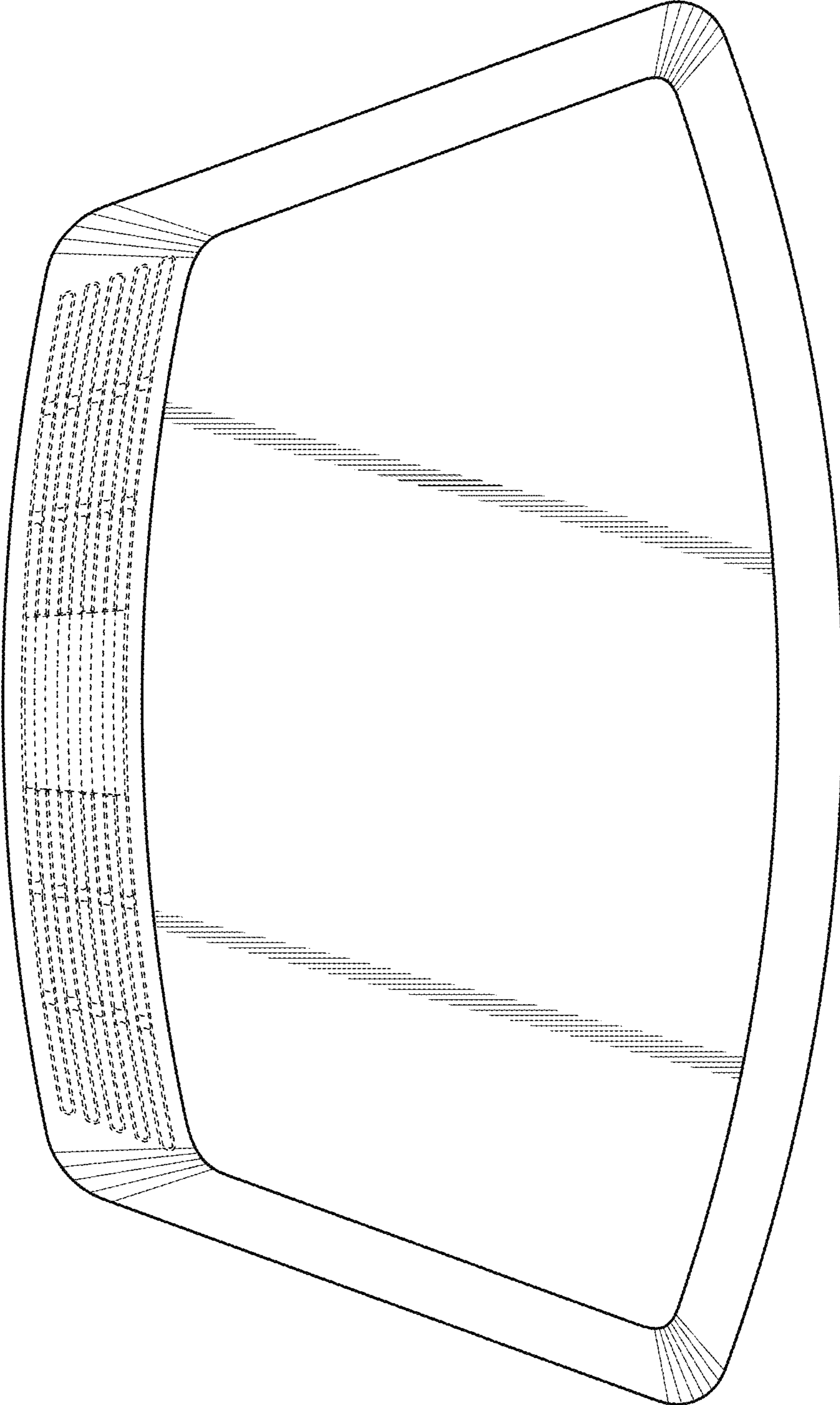


FIG. 4

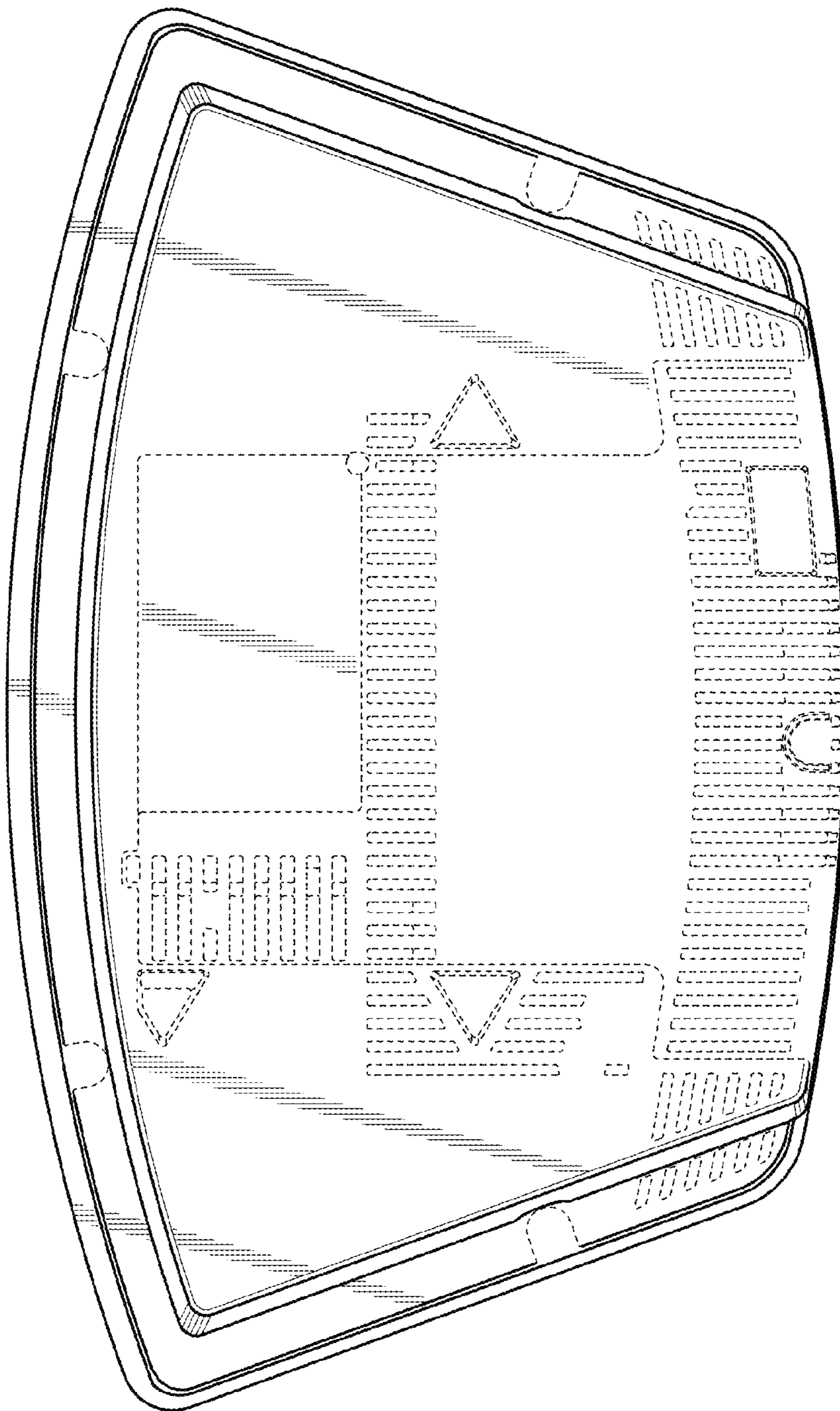


FIG. 5

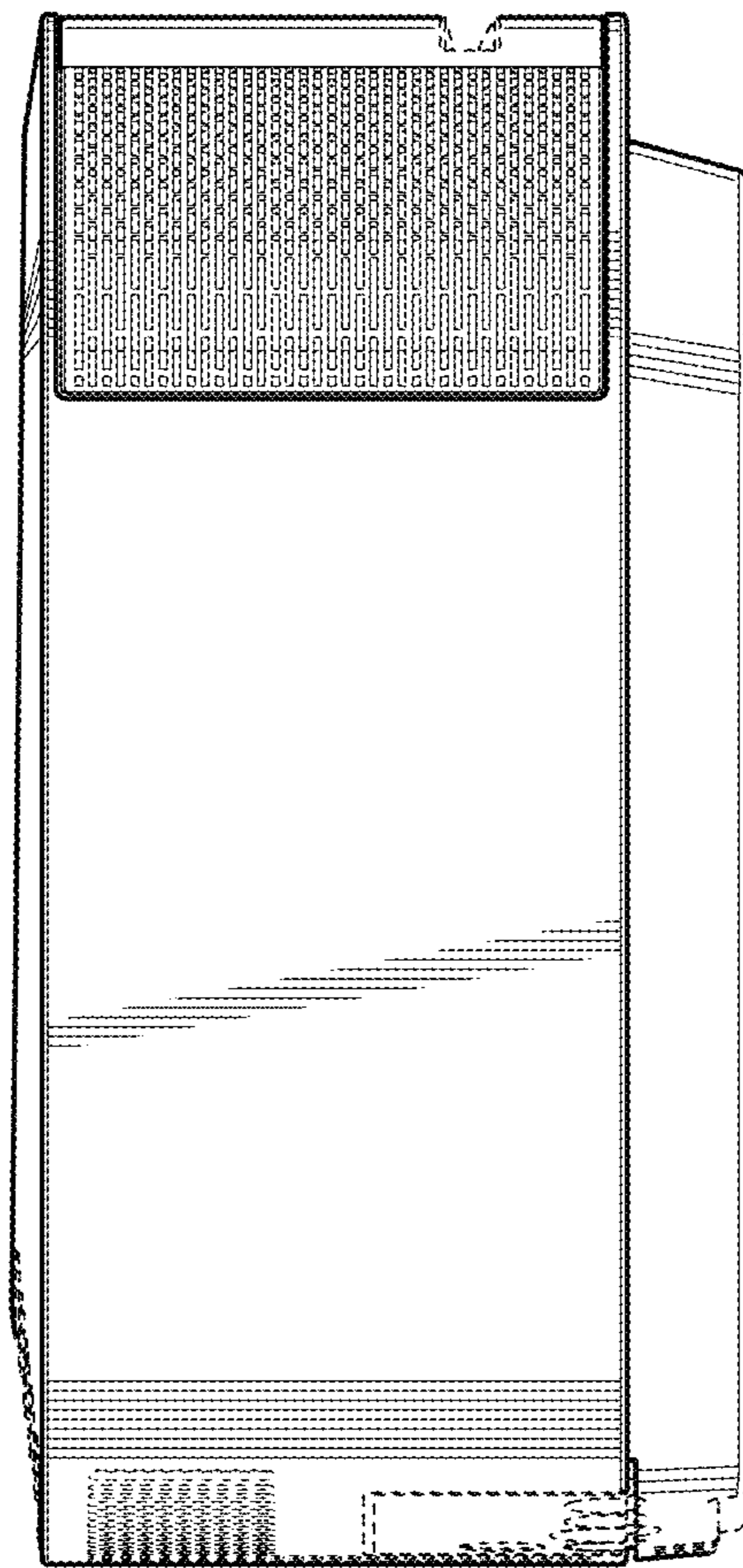


FIG. 6

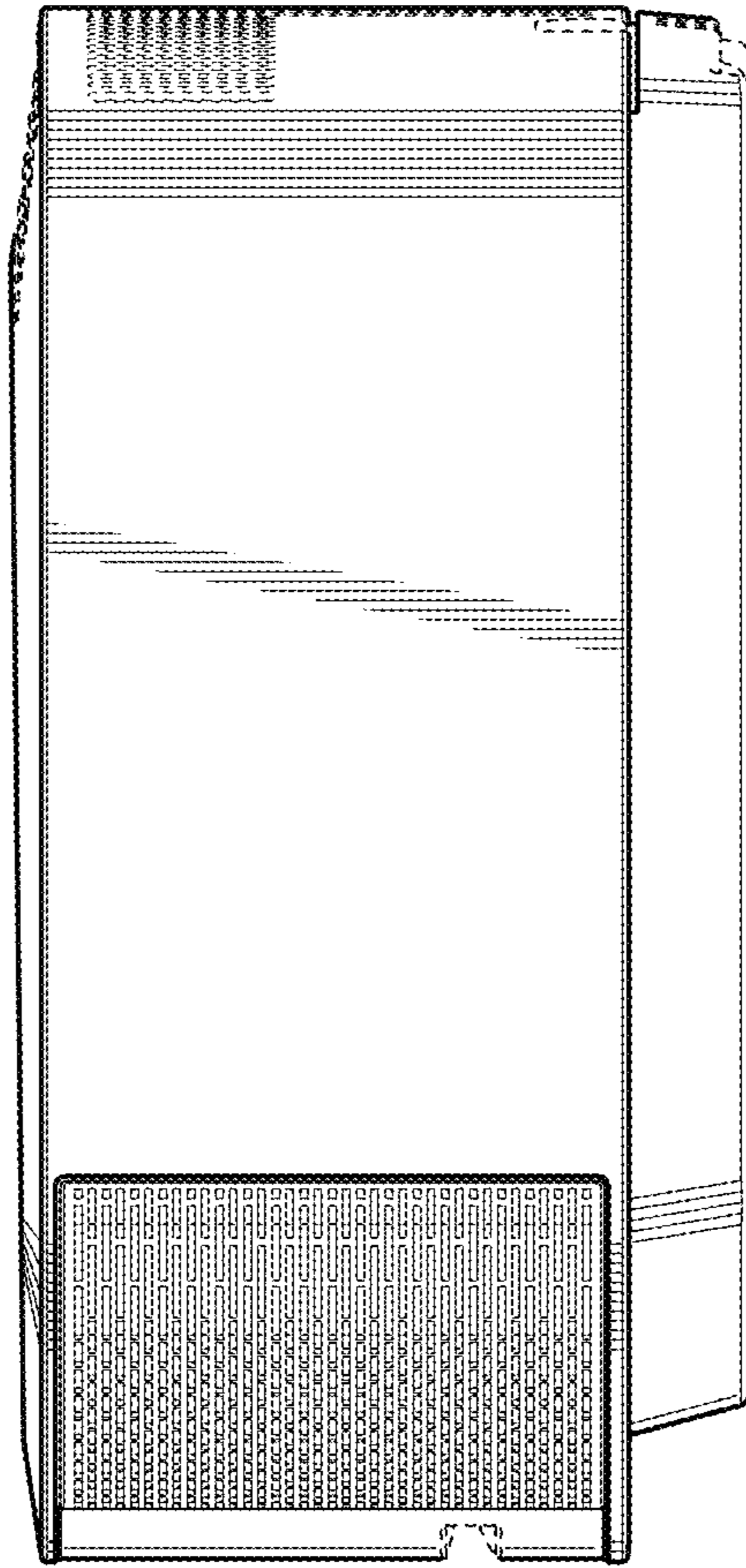


FIG. 7