



US00D771585S

(12) **United States Design Patent** (10) **Patent No.:** **US D771,585 S**  
**Espinosa et al.** (45) **Date of Patent:** **\*\* Nov. 15, 2016**

(54) **LOUDSPEAKER**  
(71) Applicant: **Meyer Sound Laboratories, Incorporated, Berkeley, CA (US)**  
(72) Inventors: **Pablo Espinosa, Pleasanton, CA (US); Paul Bunning, Berkeley, CA (US); John McGhee, Parkdale, OR (US); Michael Schneider, Emeryville, CA (US)**

7,516,932 B2 \* 4/2009 Engebretson ..... H04R 1/026  
248/317  
D594,854 S \* 6/2009 Hawkins ..... D14/217  
D631,867 S 2/2011 Arneson et al.  
D654,474 S \* 2/2012 Hawkins ..... D14/214  
D663,719 S \* 7/2012 Warden ..... D14/214  
D675,188 S \* 1/2013 Hawkins ..... D14/204  
D692,863 S \* 11/2013 Givre ..... D14/214  
D692,864 S \* 11/2013 Givre ..... D14/214  
2007/0000719 A1 \* 1/2007 Bothe ..... H04R 1/403  
181/150

(73) Assignee: **Meyer Sound Laboratories, Incorporated, Berkeley, CA (US)**

(\*\*) Term: **14 Years**

(21) Appl. No.: **29/520,927**

(22) Filed: **Mar. 18, 2015**

(51) **LOC (10) Cl.** ..... **14-01**

(52) **U.S. Cl.**  
USPC ..... **D14/204**

(58) **Field of Classification Search**  
USPC ..... D14/167, 168, 170-172, 188, 204,  
D14/210-214, 219, 221, 222, 224; 181/144,  
181/148, 153, 157, 198; 369/6-12;  
381/301-303, 306, 332, 334, 336, 345,  
381/361-363, 386-388  
CPC ..... G06F 1/1688; H04R 1/02; H04R 1/025;  
H04R 1/026; H04R 1/323; H04R 1/403;  
H04R 1/2803; H04R 1/2834; H04R 5/02;  
H04R 9/06; H04R 2201/021; H04R 2400/00;  
H04R 2400/07; H04R 2499/11  
See application file for complete search history.

(56) **References Cited**

**U.S. PATENT DOCUMENTS**

4,128,738 A 12/1978 Gallery  
D358,818 S \* 5/1995 Rozier ..... D14/214  
5,749,137 A \* 5/1998 Martin ..... H04R 1/026  
29/434  
D505,942 S 6/2005 Meyer et al.  
7,328,769 B1 \* 2/2008 Adamson ..... H04R 1/026  
181/144

**OTHER PUBLICATIONS**

MICA: Compact High-Power Curvilinear Array Loudspeaker, Product Data Sheet, 2005, Meyer Sound Laboratories, Inc. U.S.  
UPA-2P: Compact Narrow Coverage Loudspeaker, Product Data Sheet, 2005, Meyer Sound Laboratories, Inc. U.S.  
UPJ-1P: Compact VariO Loudspeaker, Product Data Sheet, 2005, Meyer Sound Laboratories, Inc. U.S.

(Continued)

*Primary Examiner* — Ian Simmons  
*Assistant Examiner* — Janice Lim

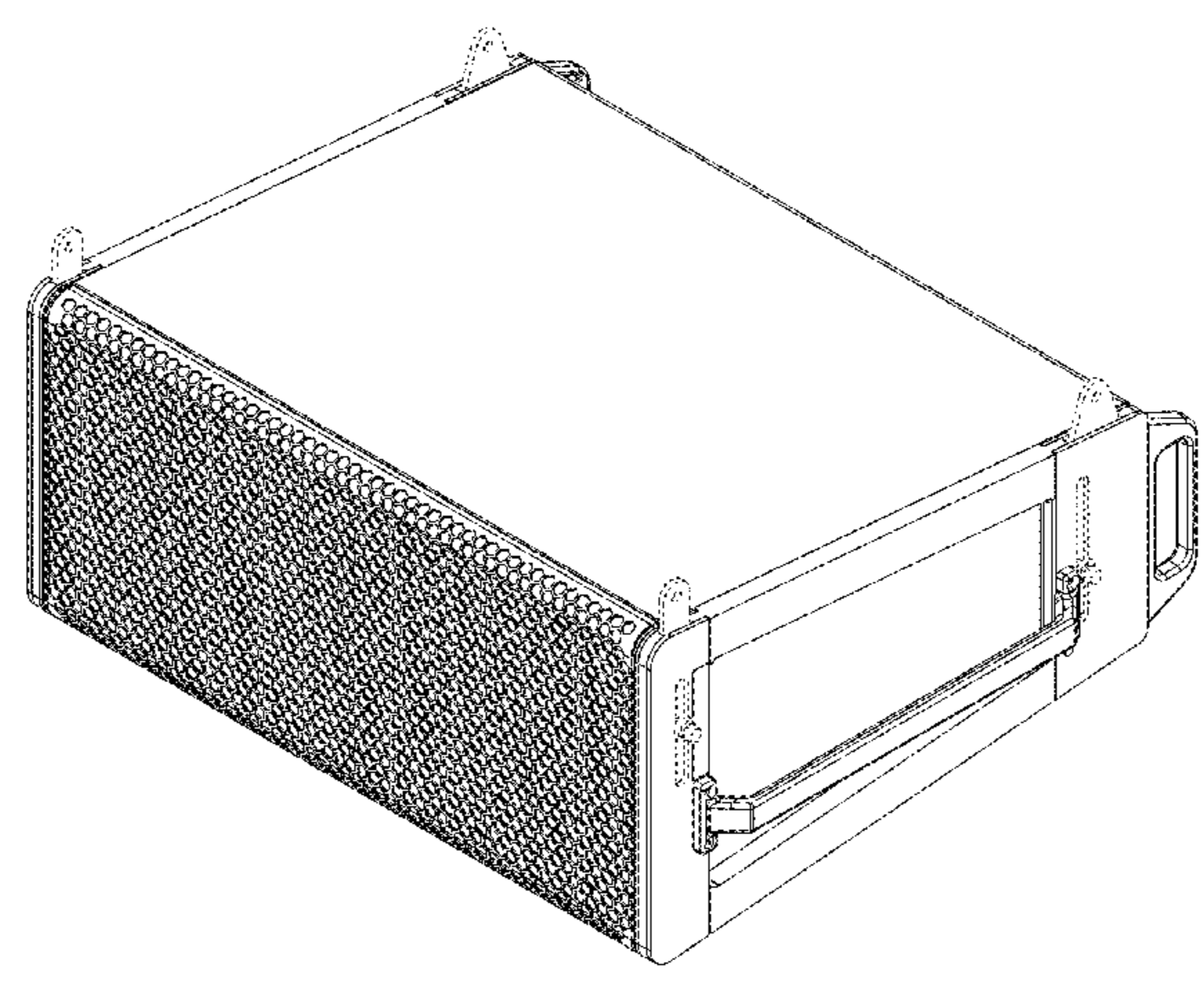
(74) *Attorney, Agent, or Firm* — Beeson Skinner Beverly, LLP

(57) **CLAIM**  
The ornamental design for a loudspeaker, as shown and described.

**DESCRIPTION**

FIG. 1 is a top, front perspective view of a loudspeaker, showing our new design, shown in a reduced scale;  
FIG. 2 is another top, front perspective view thereof, with connecting links in a stowed condition, shown in a reduced scale;  
FIG. 3 is a front elevational view thereof;  
FIG. 4 is a right side elevational view thereof, the left side elevational view being a mirror image thereof;  
FIG. 5 is a rear elevational view thereof;  
FIG. 6 is a top plan view thereof; and,  
FIG. 7 is a bottom plan view thereof.  
The broken line portions are included to show unclaimed subject matter only and form no part of the claimed design.

**1 Claim, 7 Drawing Sheets**



(56)

**References Cited**

OTHER PUBLICATIONS

UPA-1P: Compact Wide Coverage Loudspeaker, Product Data Sheet, 2005, Meyer Sound Laboratories, Inc. U.S.  
M'Elodie: UltraCompact High-Power Curvilinear Array Loudspeaker, Product Data Sheet, 2006, Meyer Sound Laboratories, Inc. U.S.

JM-1P: Arrayable Loudspeaker, Product Data Sheet, 2009, Meyer Sound Laboratories, Inc. U.S.  
MINA: Compact Curvilinear Array Loudspeaker, Product Data Sheet, 2010, Meyer Sound Laboratories, Inc. U.S.  
UP-4XP: UltraCompact Loudspeaker, Product Data Sheet, 2014, Meyer Sound Laboratories, Inc. U.S.  
Leo-M: Advanced Linear Array Loudspeaker, Product Data Sheet, 2014, Meyer Sound Laboratories, Inc. U.S.

\* cited by examiner

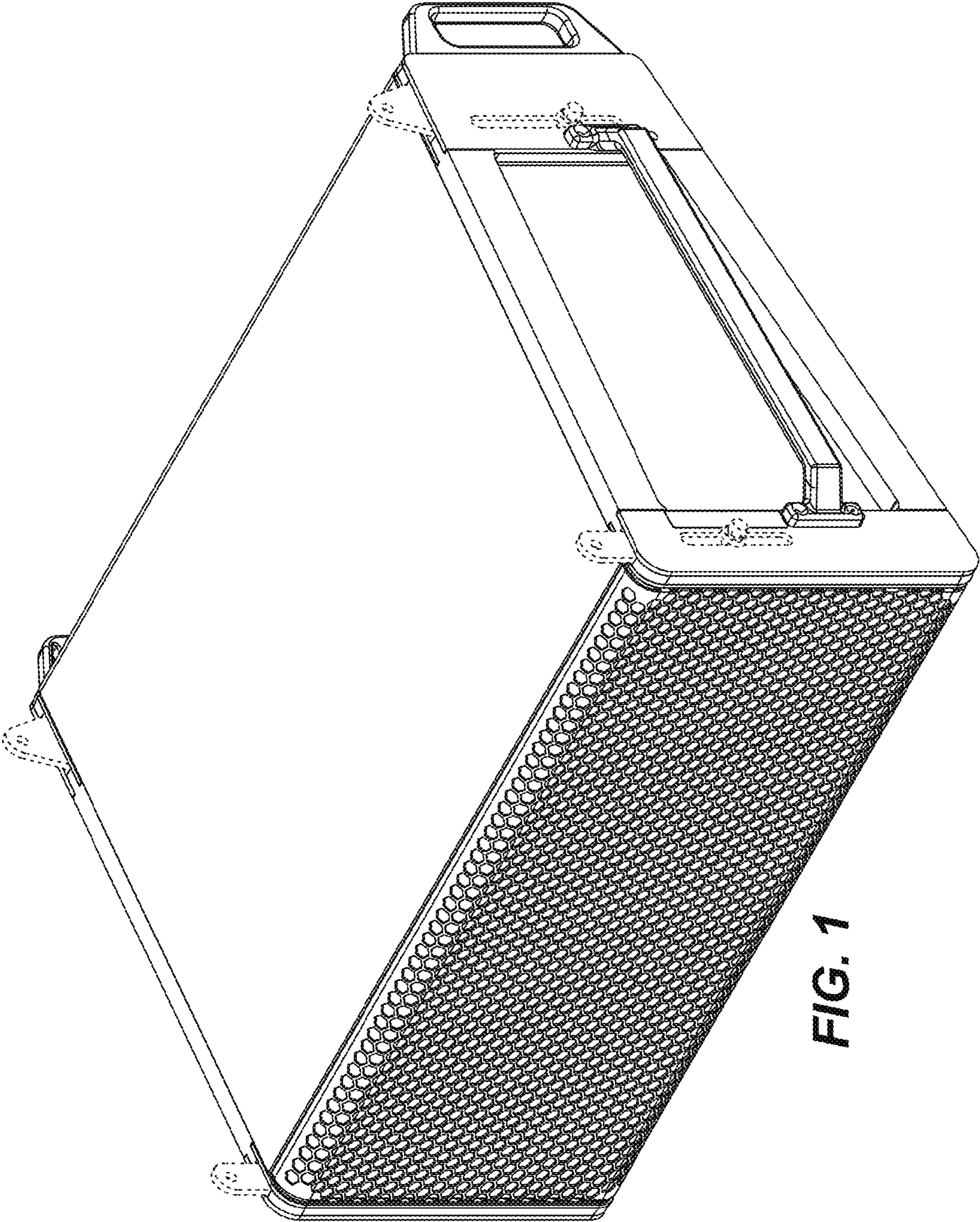


FIG. 1

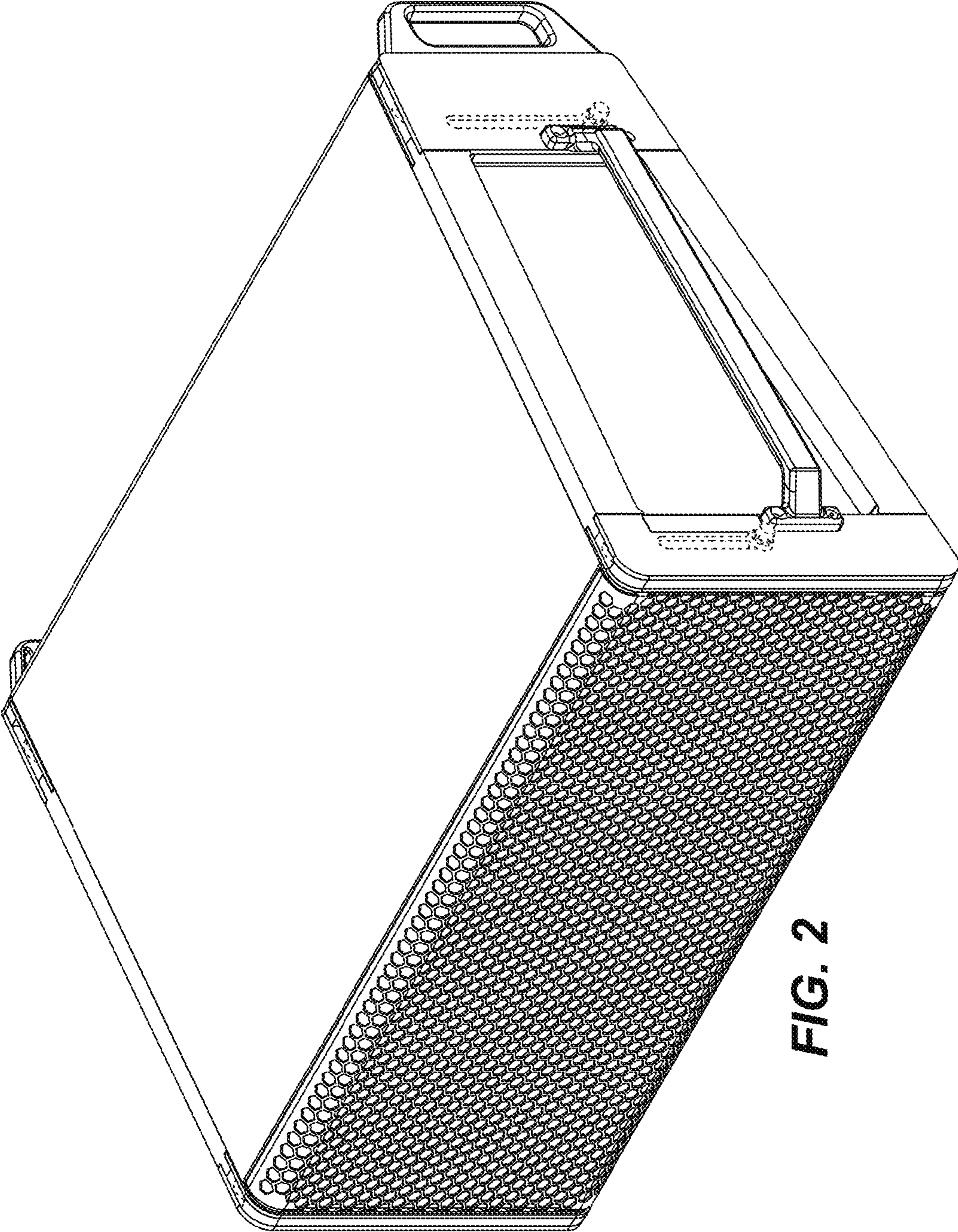


FIG. 2

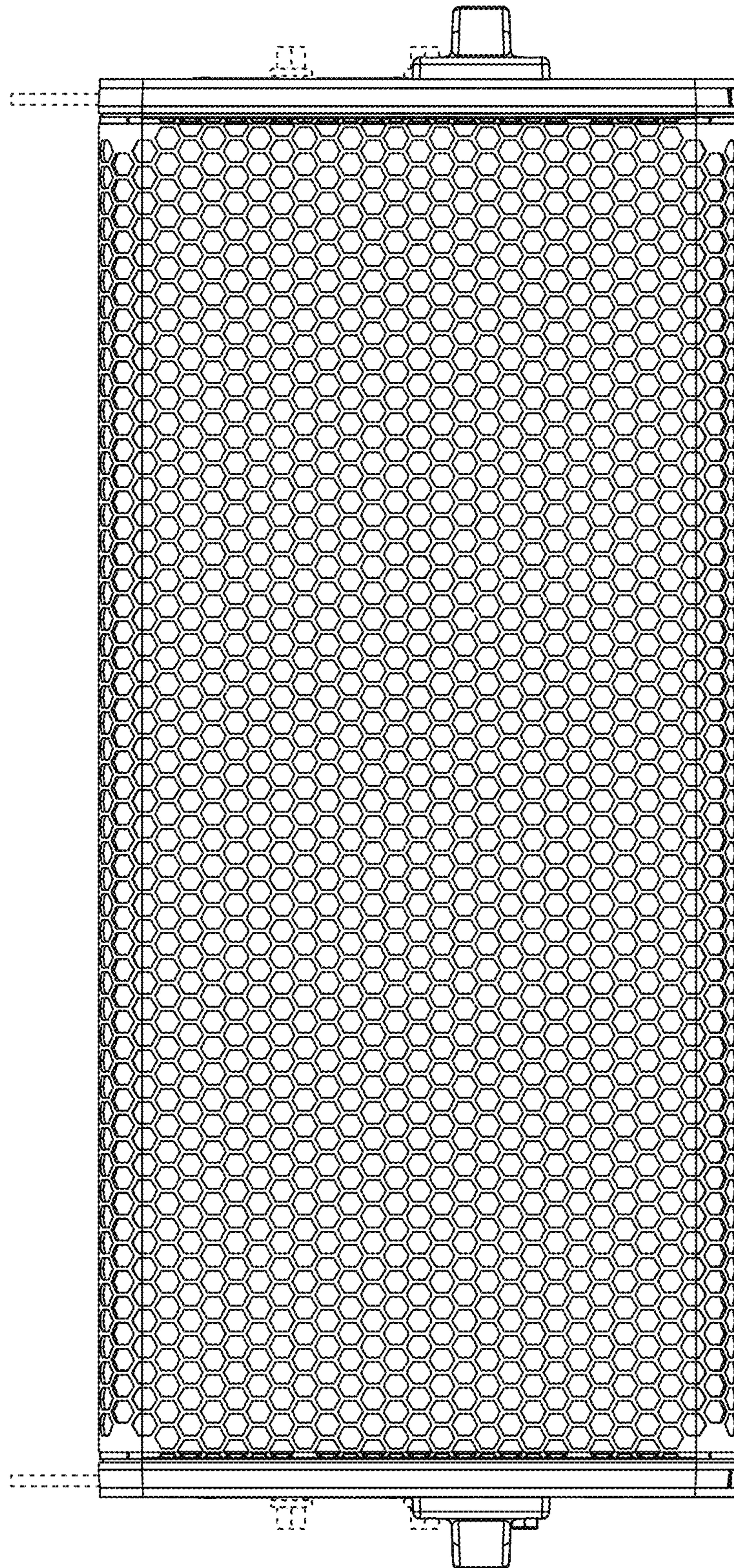
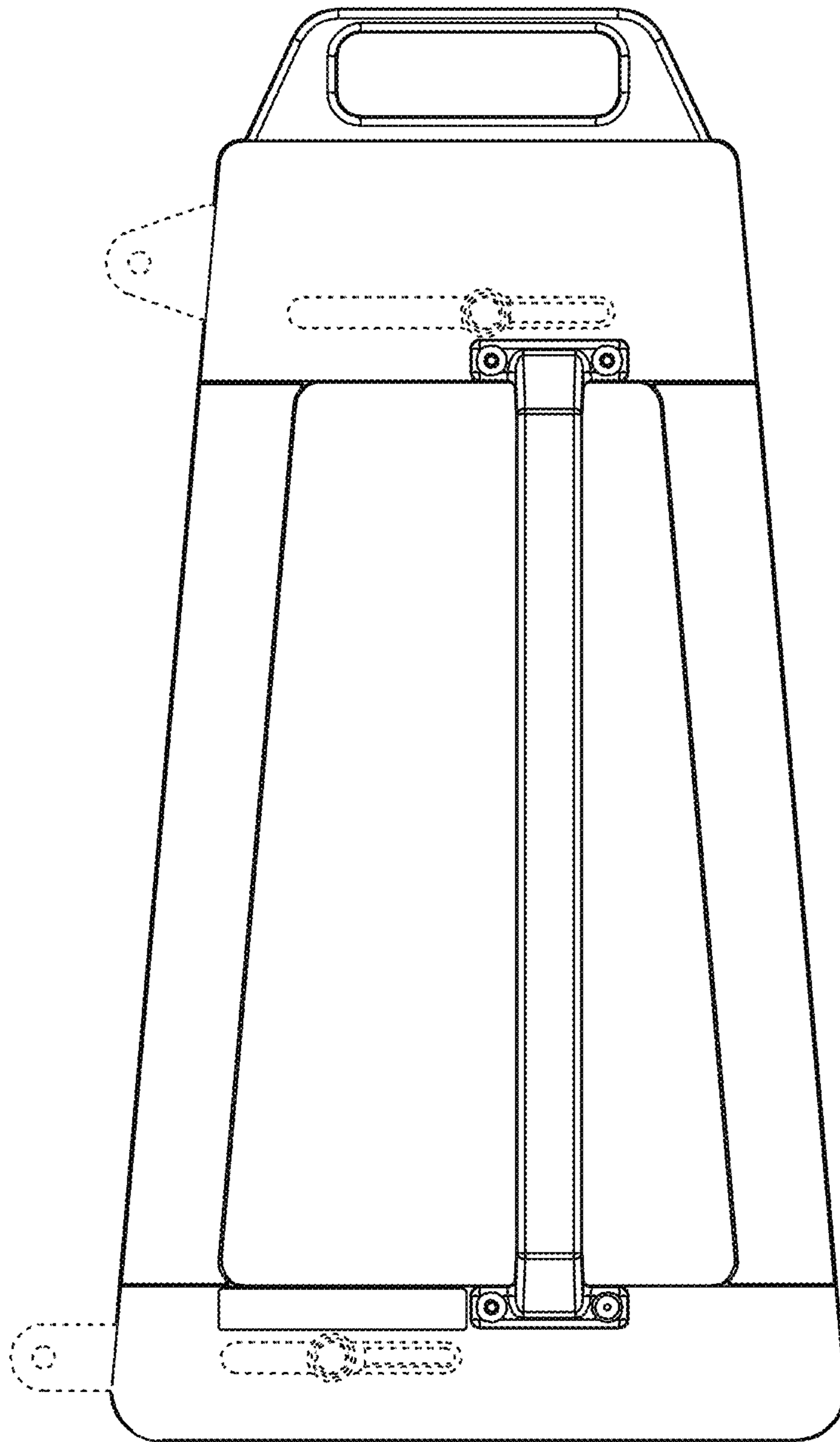


FIG. 3



**FIG. 4**

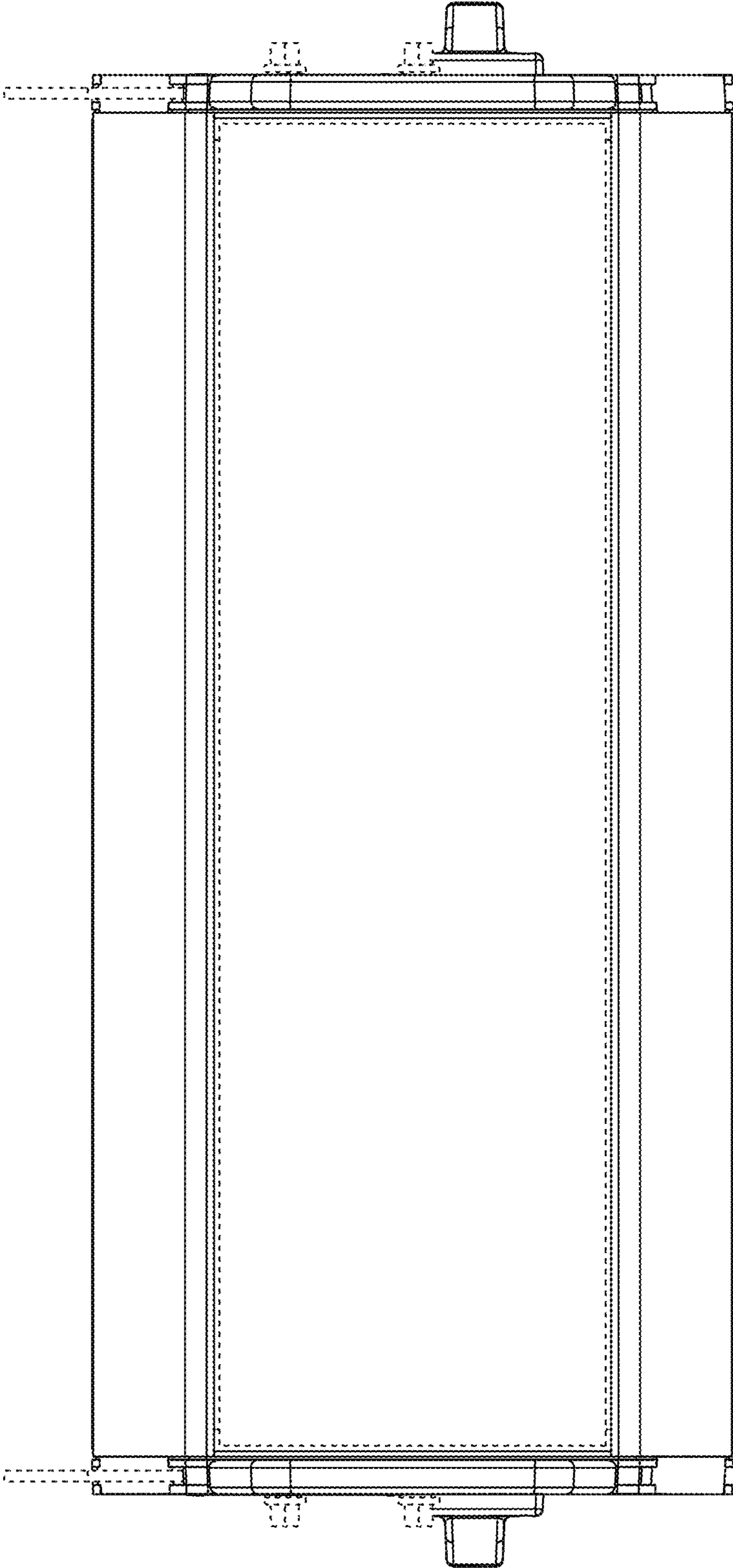


FIG. 5

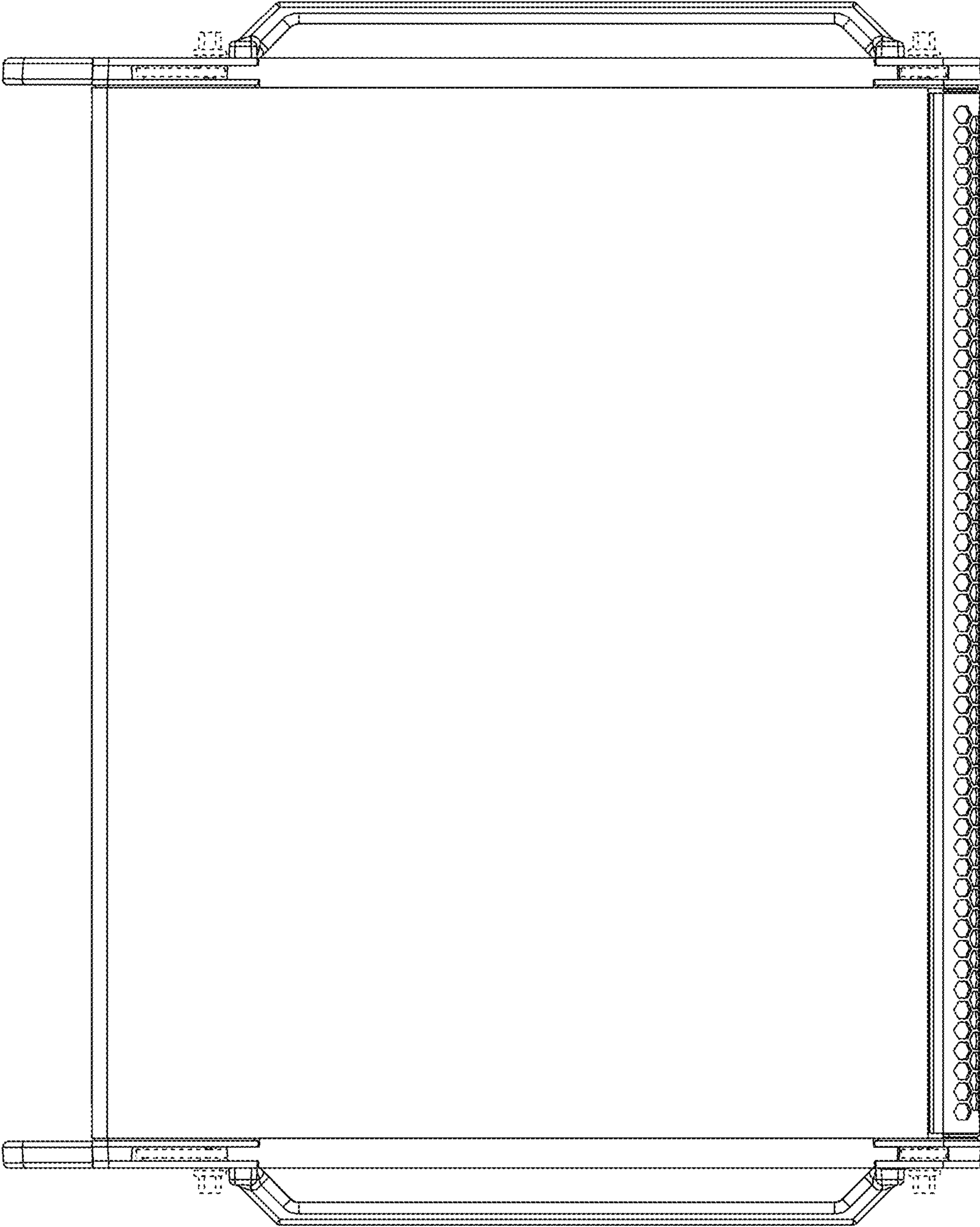


FIG. 6



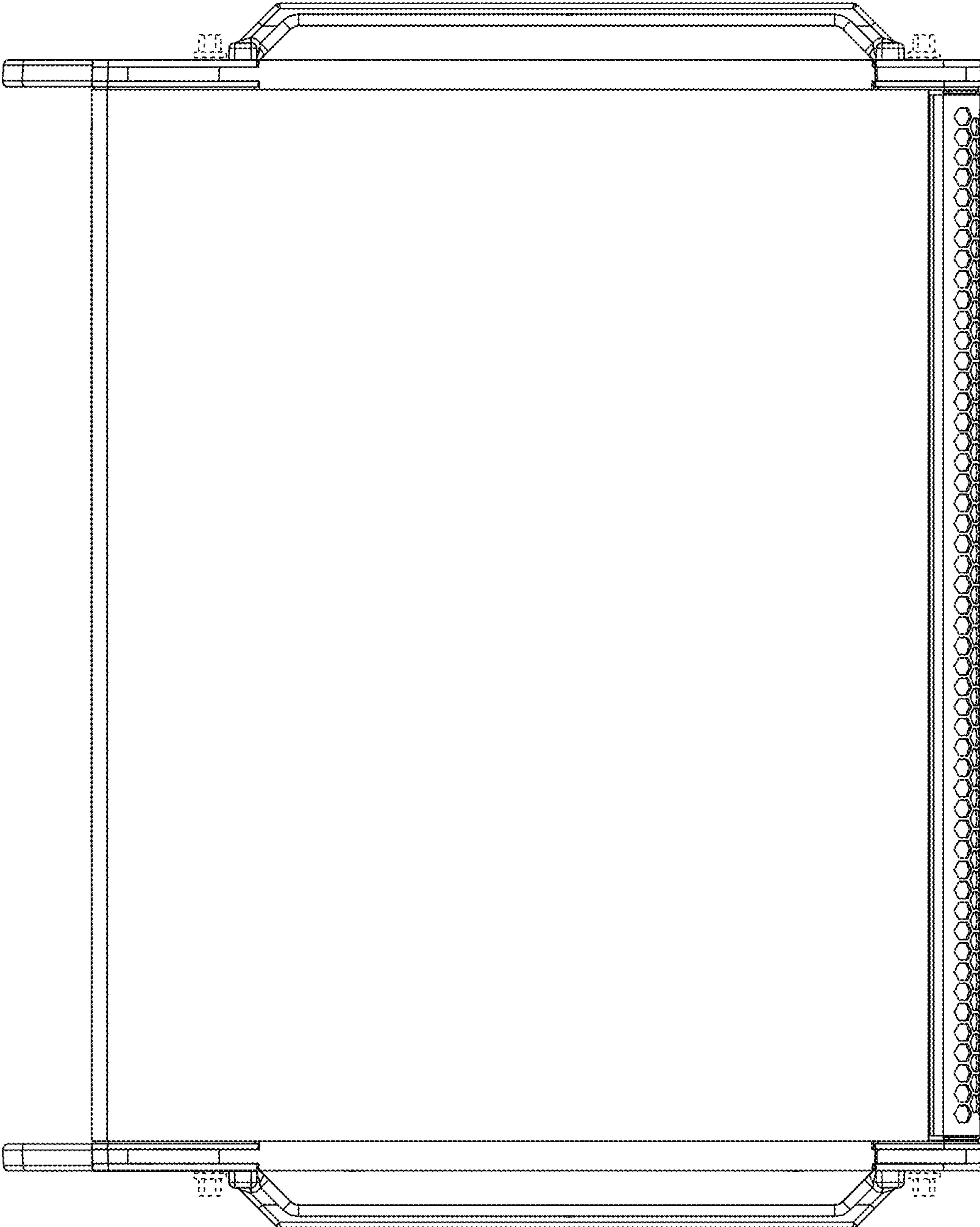


FIG. 7