



US00D771583S

(12) **United States Design Patent** (10) **Patent No.:** **US D771,583 S**
Chan et al. (45) **Date of Patent:** **** Nov. 15, 2016**

(54) **AUDIO COMPONENT**

(71) Applicant: **Harman International Industries, Incorporated**, Northridge, CA (US)
(72) Inventors: **Kasin Chan**, Corona, CA (US); **Myk Lum**, Irvine, CA (US)
(73) Assignee: **Harman International Industries, Incorporated**, Northridge, CA (US)
(**) Term: **14 Years**

(21) Appl. No.: **29/516,666**

(22) Filed: **Feb. 4, 2015**

Related U.S. Application Data

(63) Continuation-in-part of application No. 29/496,384, filed on Jul. 11, 2014, now abandoned.
(51) **LOC (10) Cl.** **14-03**
(52) **U.S. Cl.**
USPC **D14/188**
(58) **Field of Classification Search**
USPC D14/162, 167-169, 175, 179, 188, D14/194-198, 217, 257, 265, 299, 496; 330/1 R, 3, 4, 250; 381/86, 120; 455/344-351
CPC B60R 11/02; B60R 11/0205; B60R 11/0217; G10K 9/22; G10K 15/04; H03F 1/26; H03F 1/3247; H03F 3/24; H03F 3/181; H03F 3/189; H03F 3/45197; H03F 2200/03; H03F 2200/324; H03F 2200/336; H03F 2200/543; H03F 2203/45488; H03G 3/02; H03G 3/20; H04R 1/028; H04R 3/00; H04R 3/12; H04R 2420/07; H04R 2499/13
See application file for complete search history.

(56) **References Cited**

U.S. PATENT DOCUMENTS

D568,289 S *	5/2008	Solland	D14/204
D623,628 S *	9/2010	Solland	D14/214
D636,376 S *	4/2011	Yagihashi	D14/188
D678,865 S *	3/2013	Behar	D14/214
D695,710 S *	12/2013	Szymanski	D14/214
D697,894 S *	1/2014	Krisztal	D14/204
D712,869 S *	9/2014	Muramoto	D14/188
D734,300 S *	7/2015	Fujioka	D14/214
D741,294 S *	10/2015	Zhu	D14/214
D744,454 S *	12/2015	Ou Yang	D14/207

* cited by examiner

Primary Examiner — Keli L Hill

(74) *Attorney, Agent, or Firm* — Plumsea Law Group, LLC

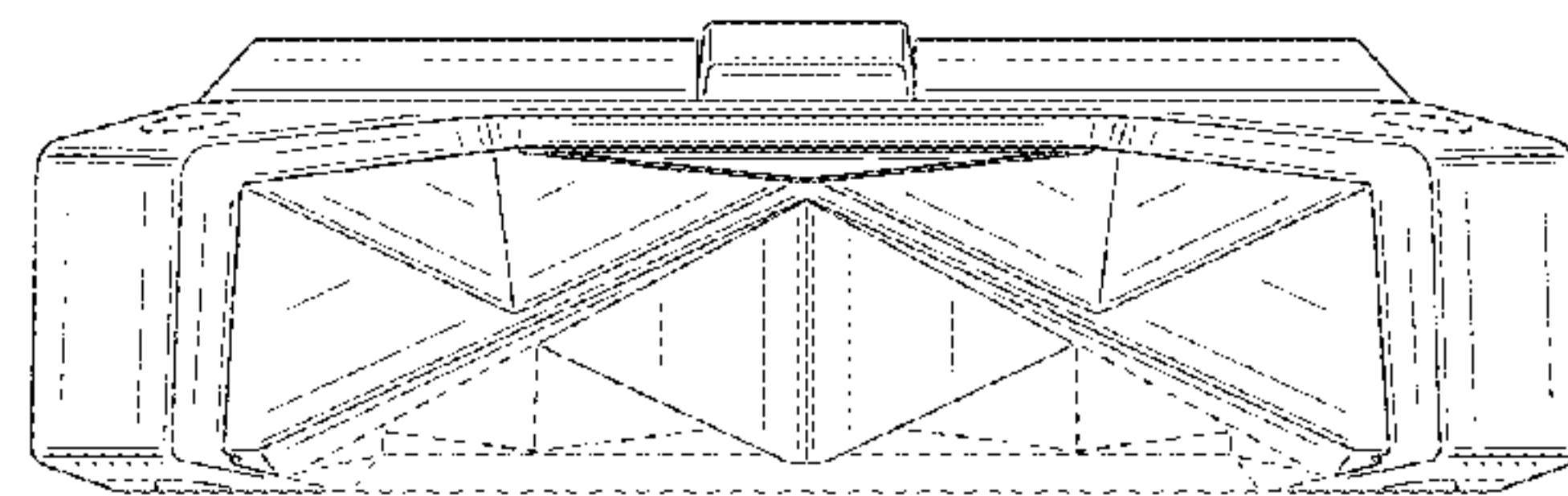
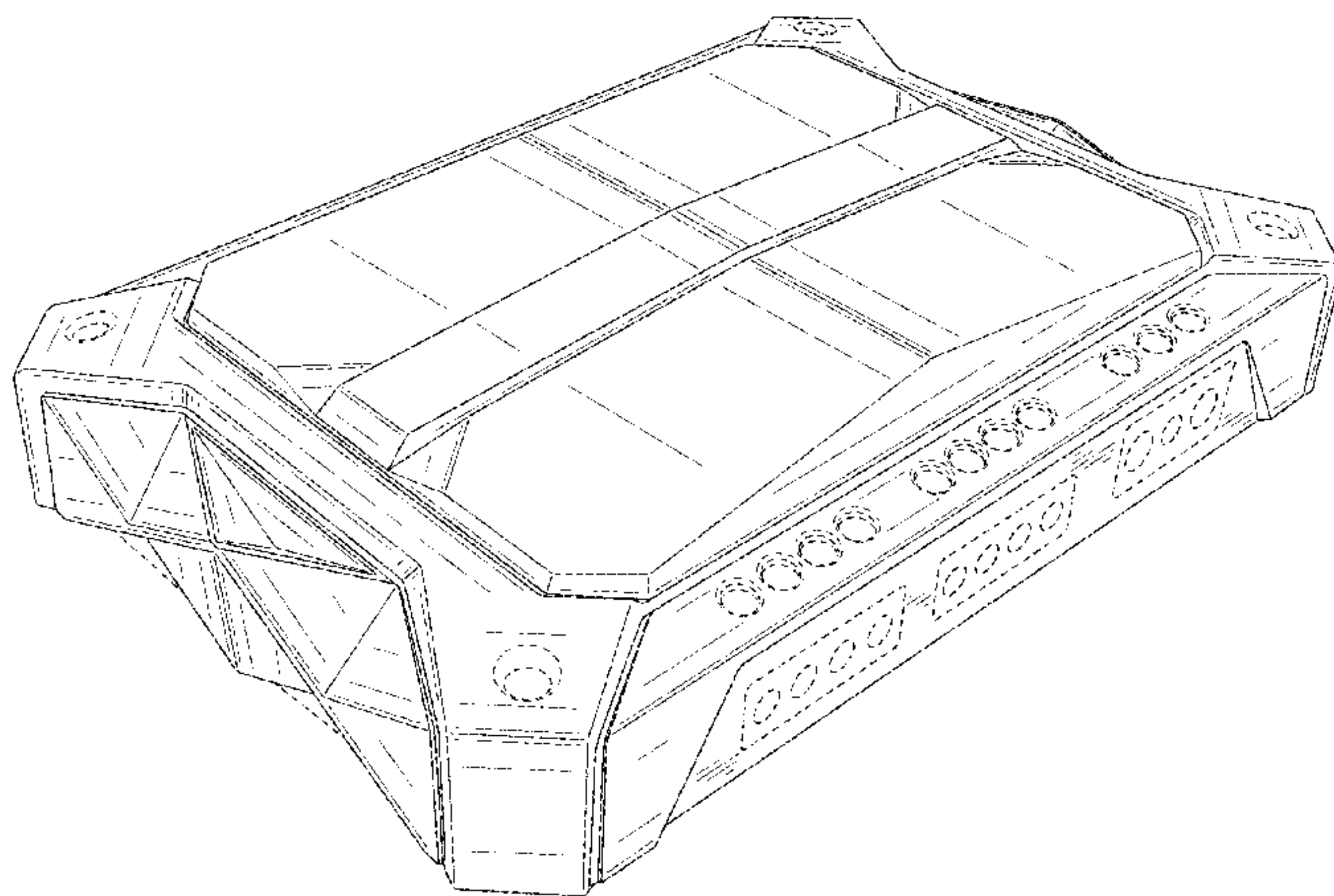
(57) **CLAIM**

The ornamental design for an audio component, as shown and described.

DESCRIPTION

FIG. 1 is a perspective view of an audio component showing our new design;
FIG. 2 is a top plan view thereof;
FIG. 3 is a front elevational view thereof;
FIG. 4 is a side elevational view thereof;
FIG. 5 is an opposite side elevational view thereof; and,
FIG. 6 is a rear elevational view thereof.
The broken line showings form no part of the claimed design.

1 Claim, 5 Drawing Sheets



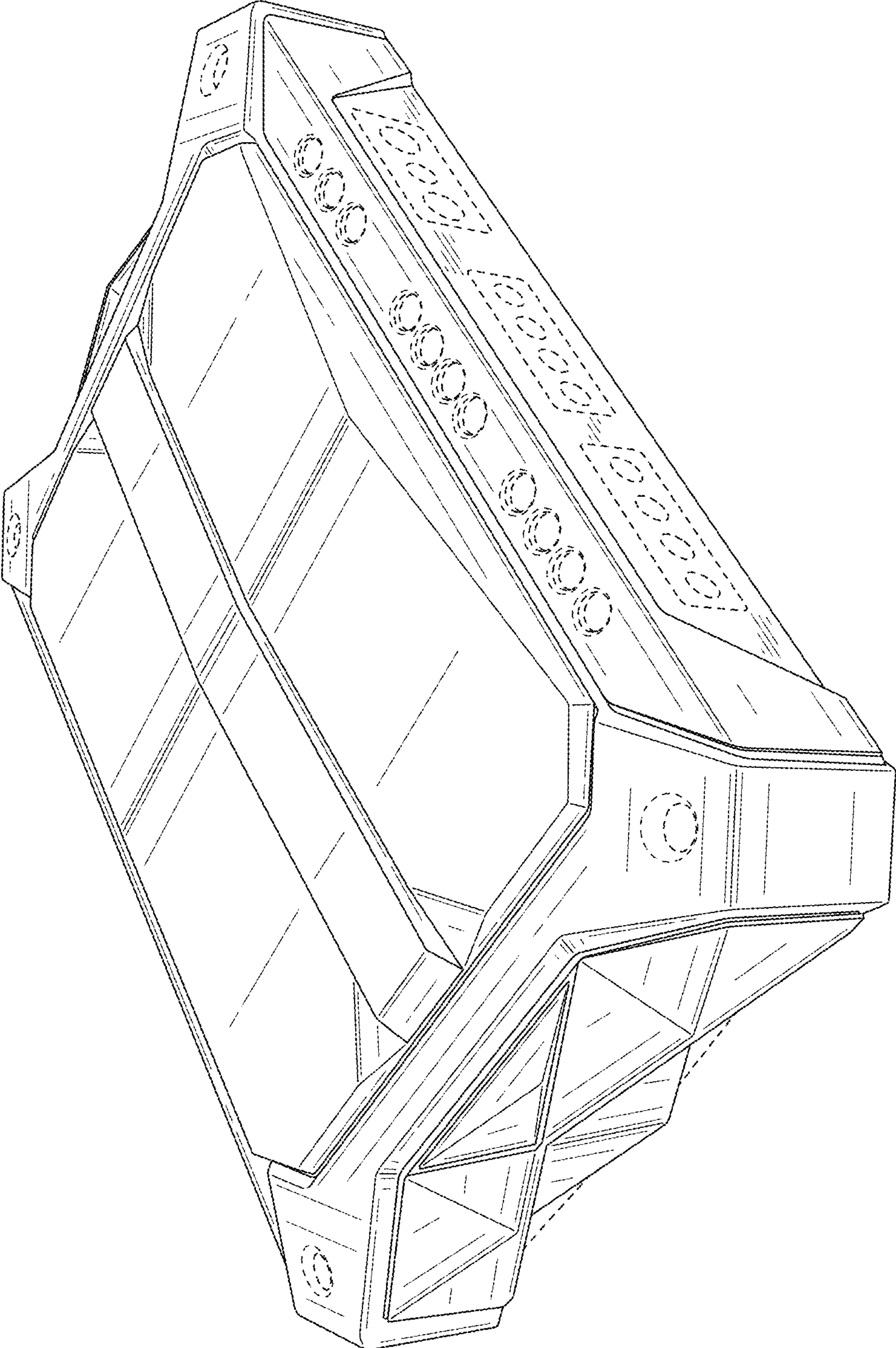


FIG. 1

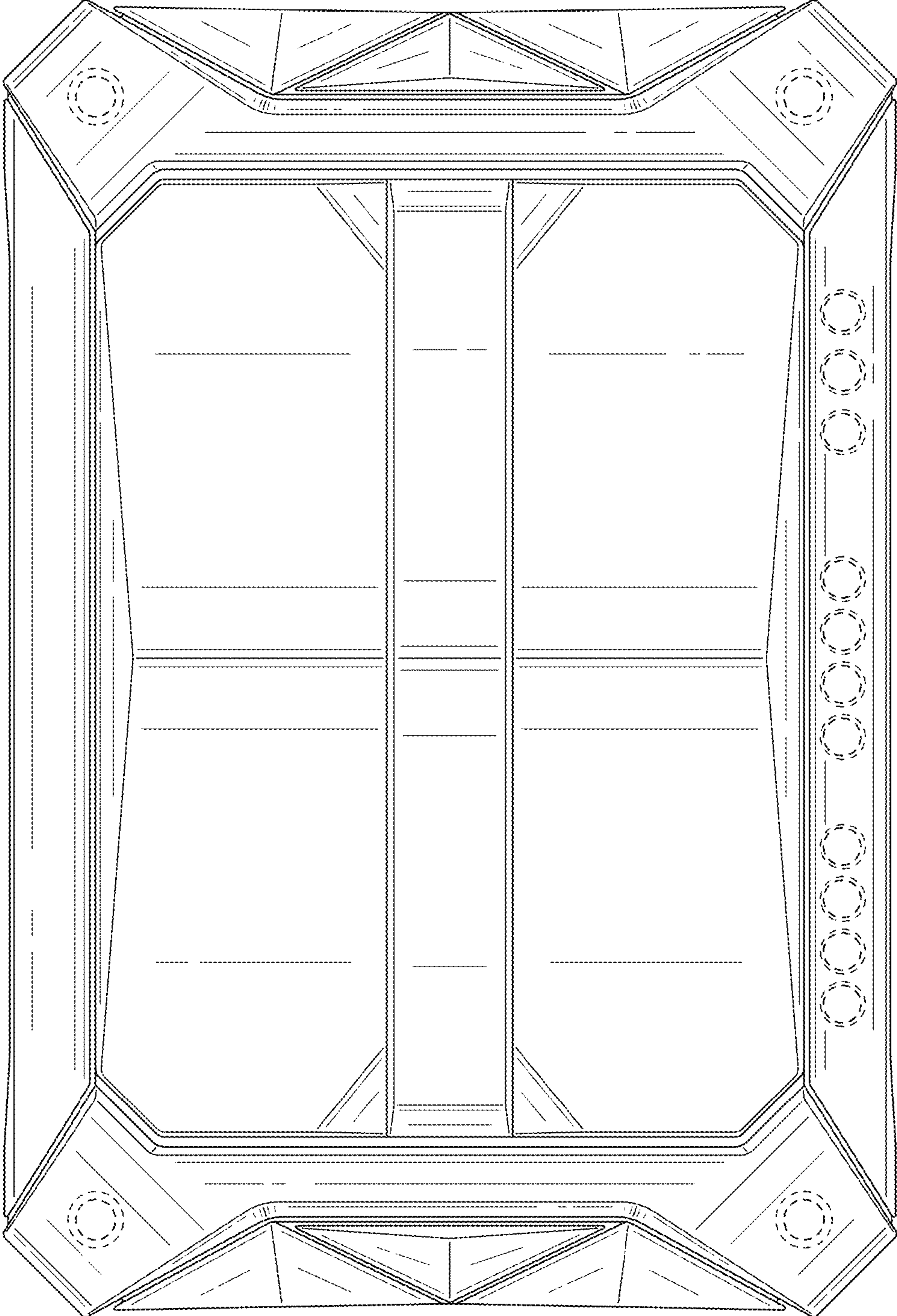


FIG. 2

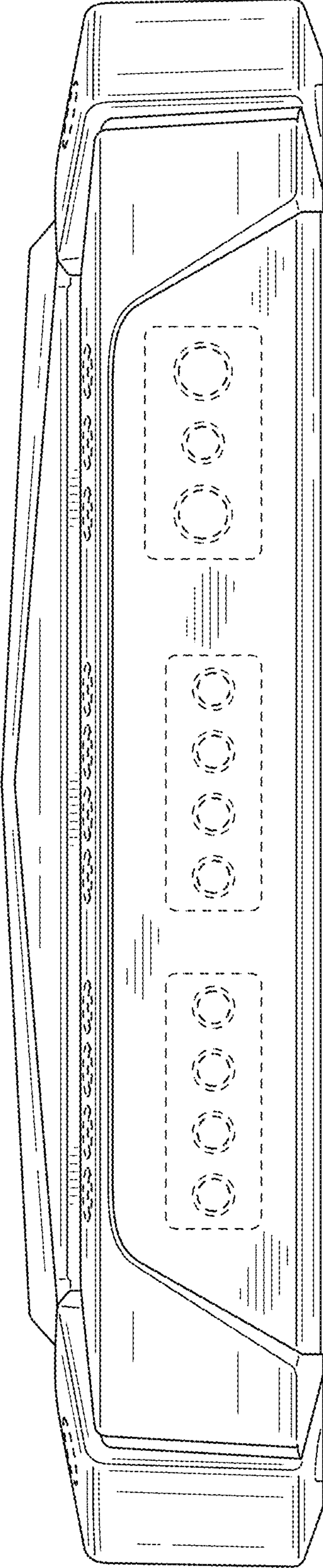


FIG. 3

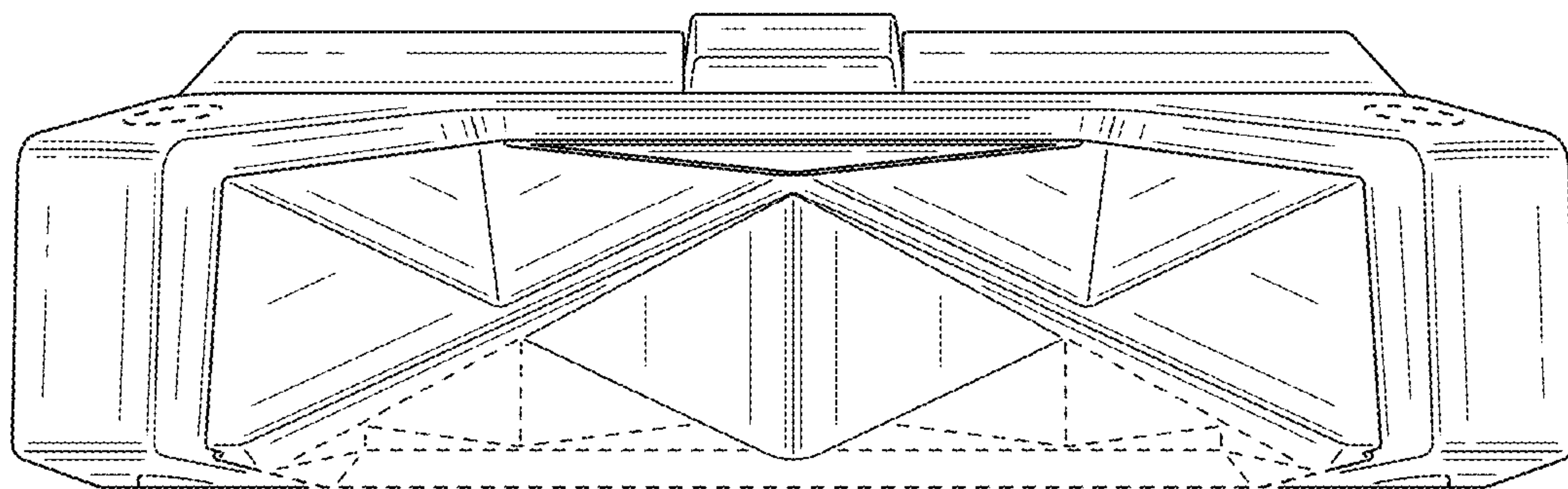


FIG. 4

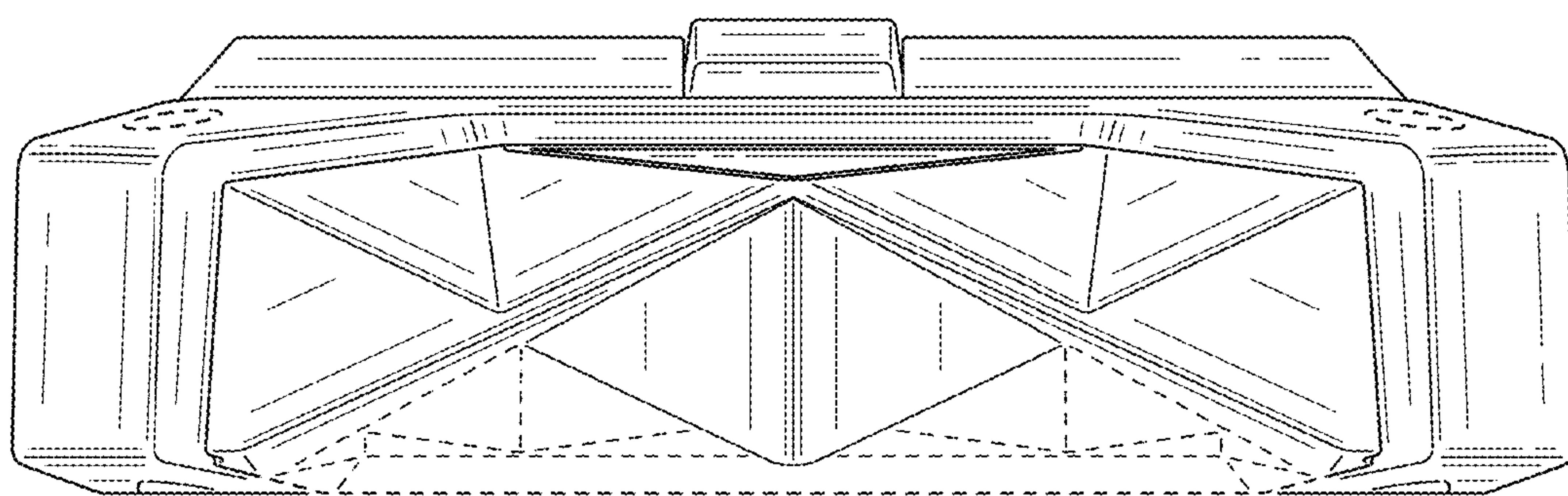


FIG. 5

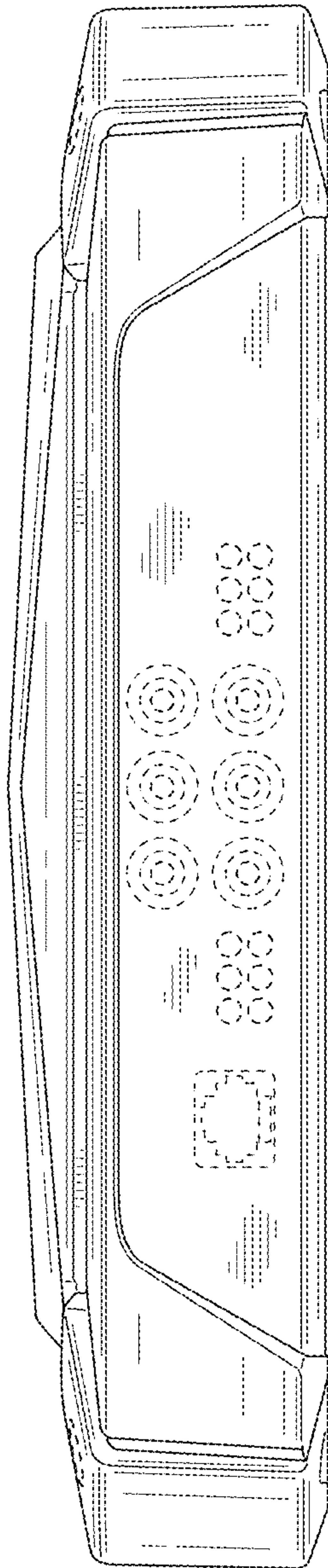


FIG. 6