



US00D771581S

(12) **United States Design Patent** (10) **Patent No.:** **US D771,581 S**
Son et al. (45) **Date of Patent:** **** Nov. 15, 2016**

(54) **TV RECEIVER**

(71) Applicant: **Samsung Electronics Co., Ltd.**,
Suwon-si (KR)

(72) Inventors: **Chaejoo Son**, Seoul (KR); **Taehun Kim**, Seoul (KR)

(73) Assignee: **SAMSUNG ELECTRONICS CO., LTD.**, Suwon-Si (KR)

(**) Term: **14 Years**

(21) Appl. No.: **29/526,615**

(22) Filed: **May 12, 2015**

Related U.S. Application Data

(63) Continuation of application No. 29/510,543, filed on Dec. 1, 2014, now Pat. No. Des. 733,084, which is a continuation of application No. 29/494,030, filed on Jun. 17, 2014, now Pat. No. Des. 721,666.

(51) **LOC (10) Cl.** **14-03**

(52) **U.S. Cl.**
USPC **D14/126**

(58) **Field of Classification Search**

USPC D14/125-134, 239, 371, 136, 374-377,
D14/440, 450, 448, 336, 342, 159; 312/7.2;
348/836, 838, 180, 184, 325, 739;
248/917-924, 465; 345/104, 133, 156,
345/168, 87, 173; D21/329, 515, 577, 622,
D21/333, 433, 448, 452, 450, 331, 505;
D10/15, 26; 446/484, 175, 356;
D6/477, 479, 300; D20/10, 19, 39
CPC . G06F 1/1601; G06F 1/1643; H05K 5/0004;
H05K 5/0017; H05K 5/02; H05K 5/0217;
H04N 13/0459

See application file for complete search history.

(56) **References Cited**

U.S. PATENT DOCUMENTS

D419,977 S *	2/2000	Chuo	D14/126
D534,138 S *	12/2006	Lee	D14/126
D548,708 S *	8/2007	Park	D14/126
D554,599 S *	11/2007	Otsuka	D14/126
D624,036 S *	9/2010	Lee	D14/126
D626,927 S	11/2010	Honda		
D630,599 S	1/2011	Lim et al.		
D637,573 S	5/2011	Lee et al.		
D670,256 S *	11/2012	Kim	D14/126

(Continued)

Primary Examiner — Raphael Barkai

(74) *Attorney, Agent, or Firm* — McAndrews Held & Malloy, Ltd.

(57) **CLAIM**

The ornamental design for a TV receiver, as shown and described.

DESCRIPTION

FIG. 1 is a front perspective view of a TV receiver showing our new design;

FIG. 2 is a front elevation view thereof;

FIG. 3 is a rear elevation view thereof;

FIG. 4 is a left side elevation view thereof;

FIG. 5 is a right side elevation view thereof;

FIG. 6 is a top plan view thereof;

FIG. 7 is a bottom plan view thereof;

FIG. 8 is a rear perspective view thereof; and,

FIG. 9 is an enlarged view of the portion 9 encircled in FIG. 1.

The dashed broken lines in the figures represent unclaimed portions of the TV receiver. The dot-dash broken lines in FIGS. 1 and 9 encircle portions of the claimed design that are illustrated in enlargements. The broken lines form no part of the claimed design.

The dense stipple shading and solid lines represent the claimed portions of the design, and the dense stippling and shade lines shown in the figures represent the three-dimensional contour of the design, and do not represent surface decoration.

1 Claim, 9 Drawing Sheets

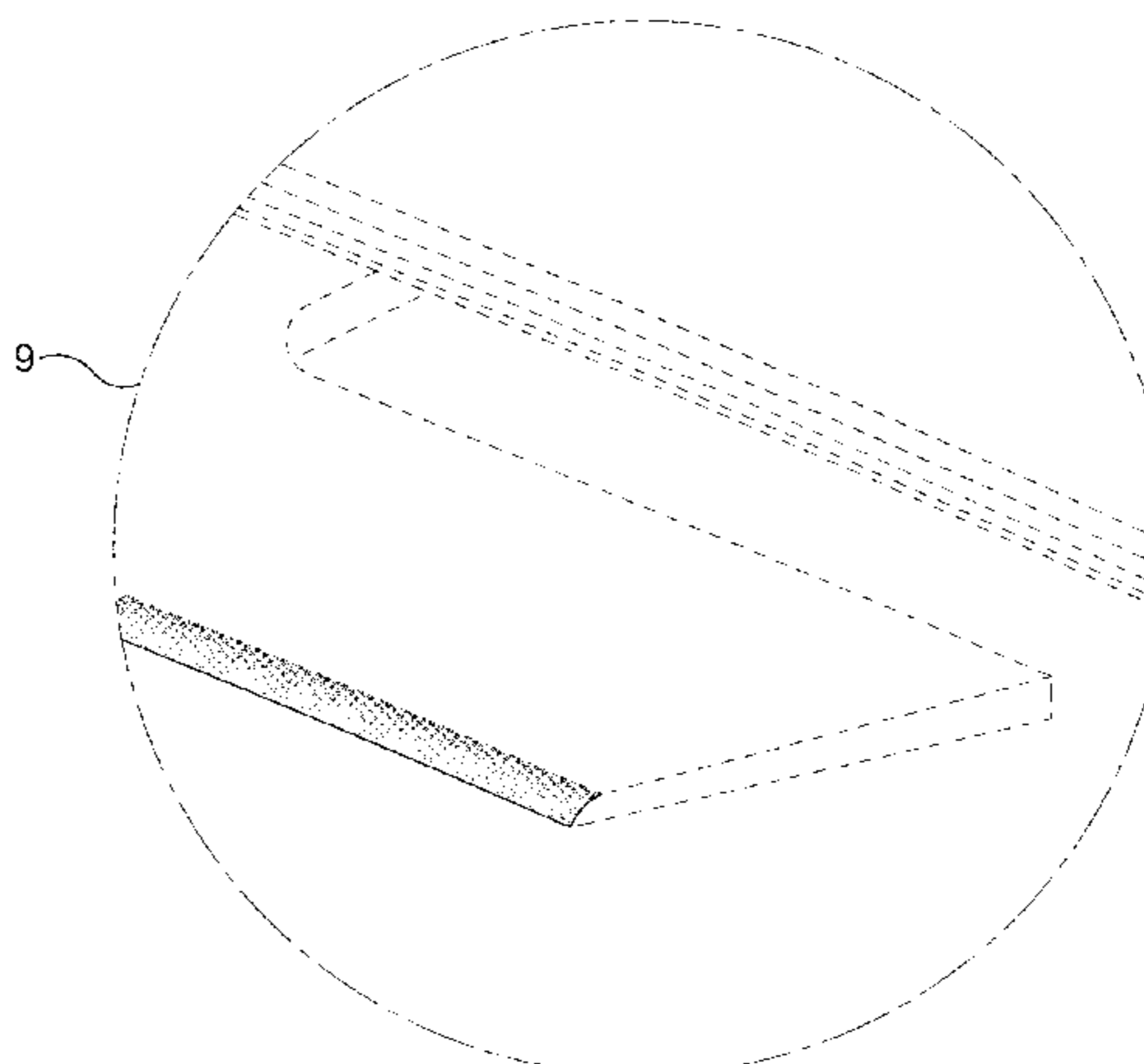
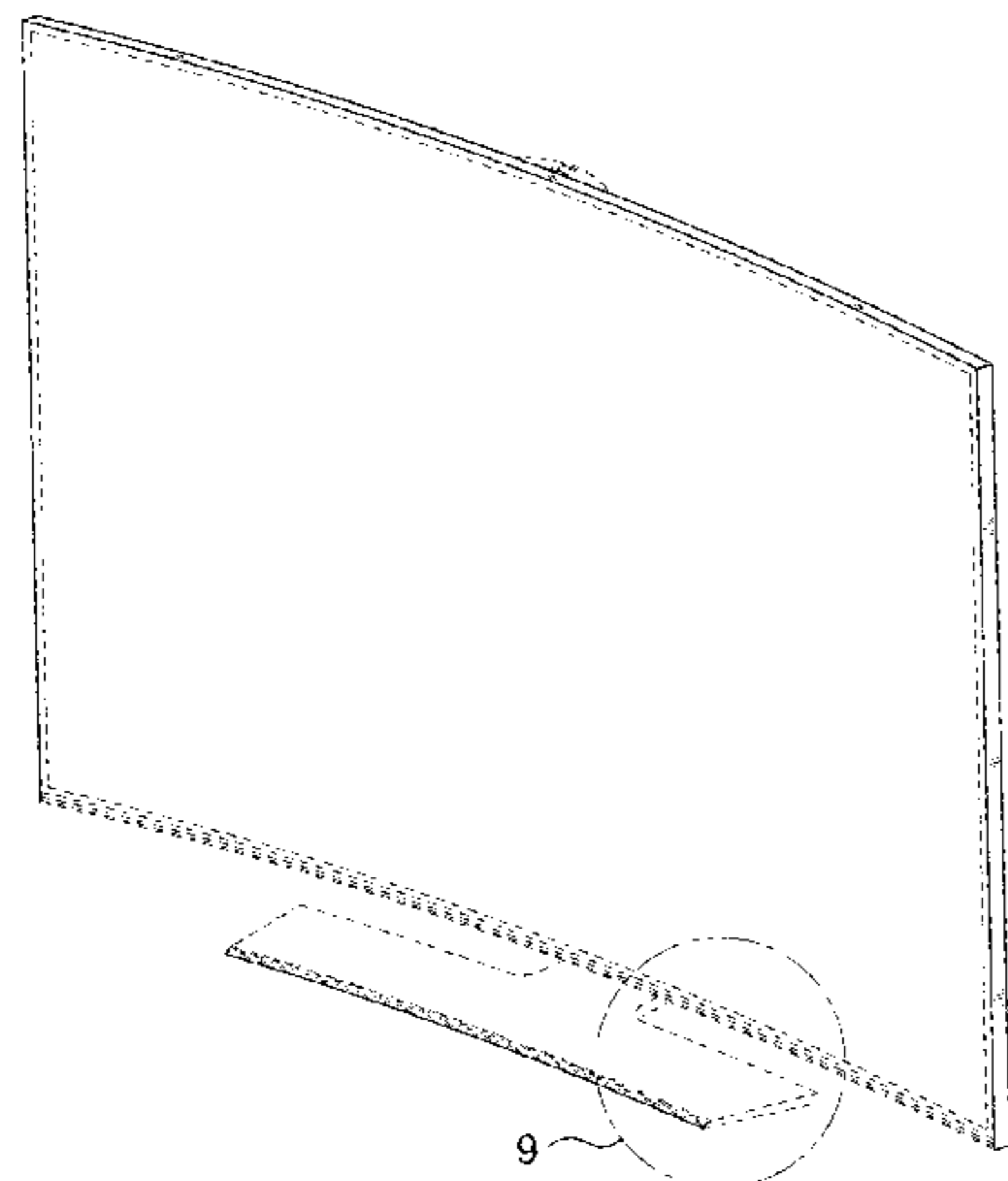


FIG. 1

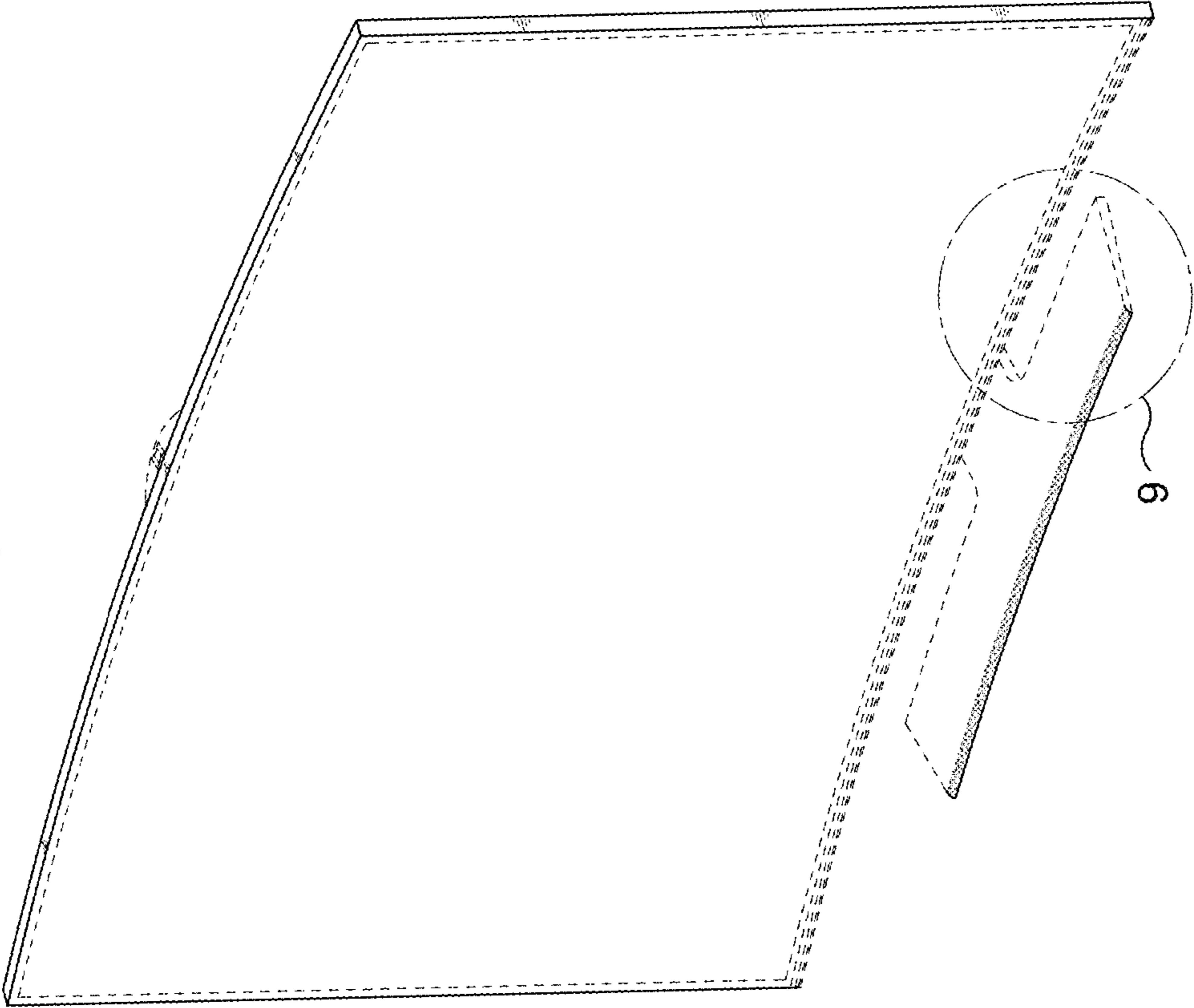


FIG. 2

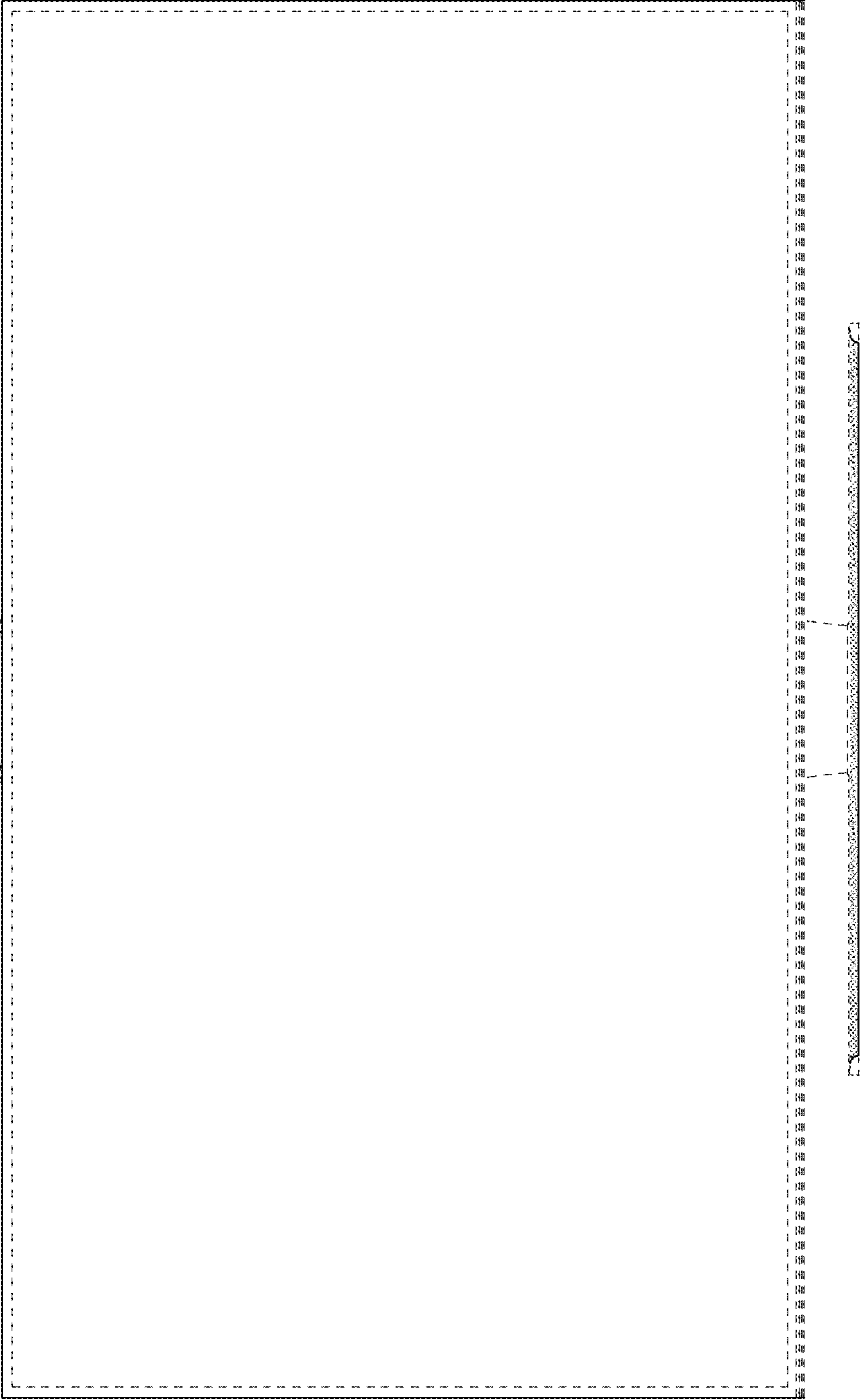


FIG. 3

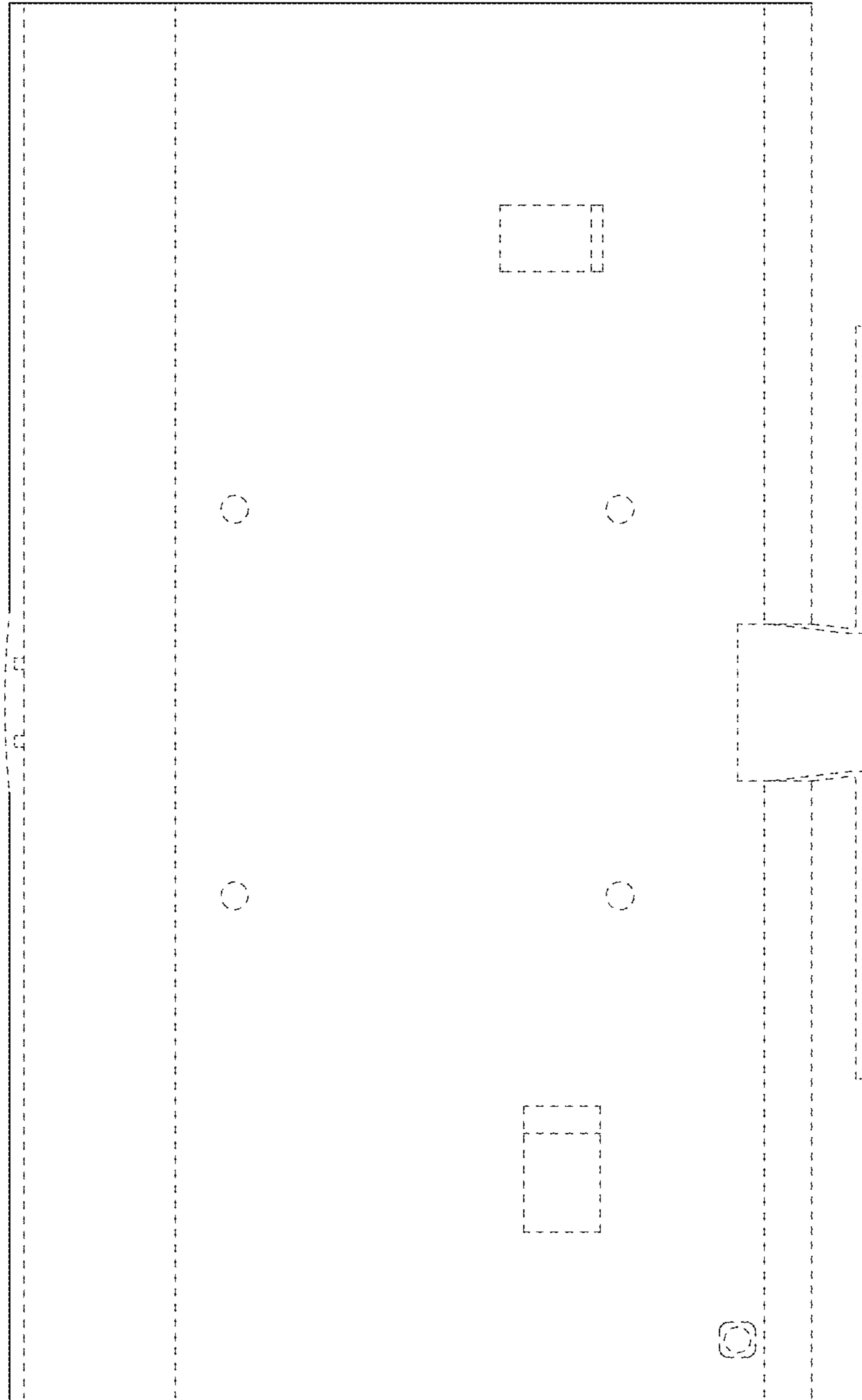


FIG. 4

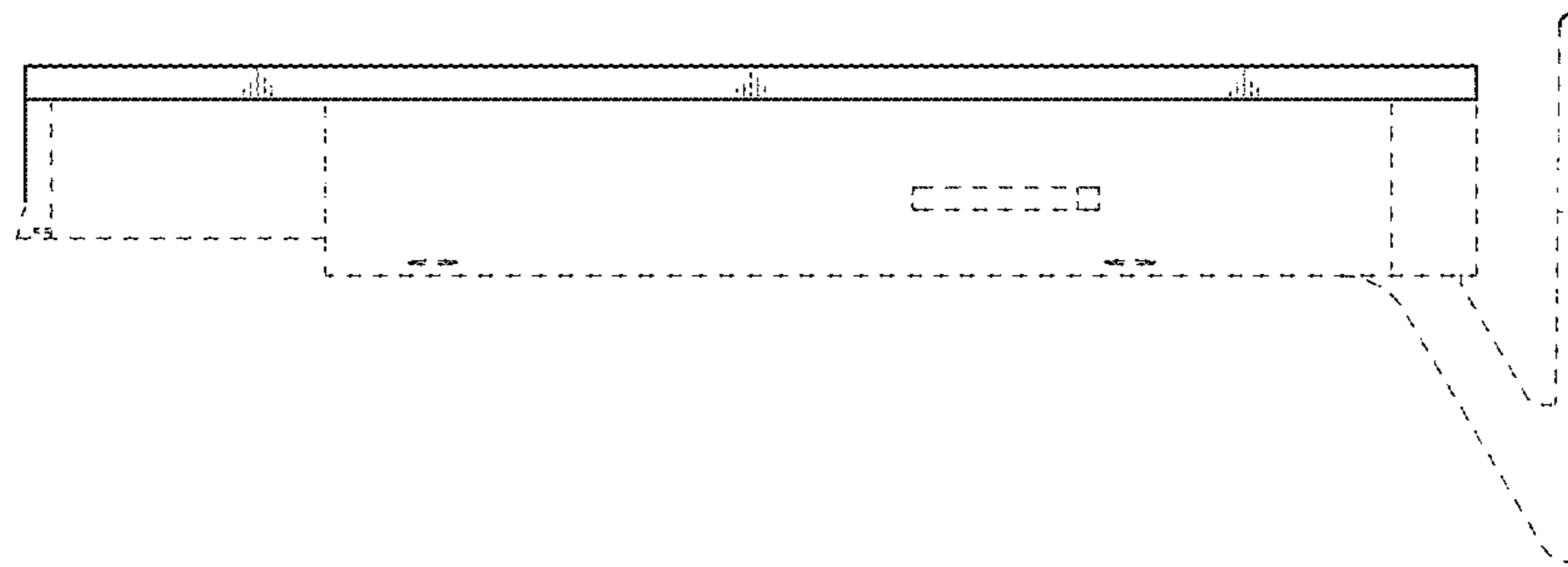


FIG. 5

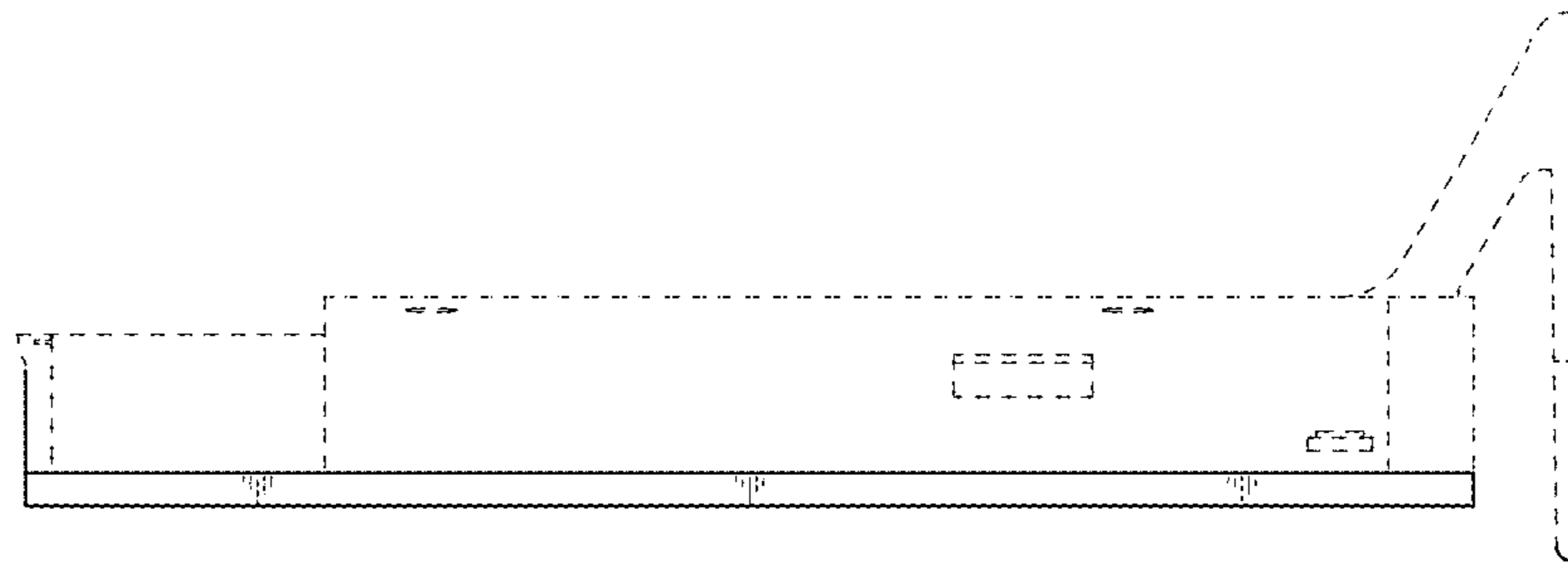


FIG. 6

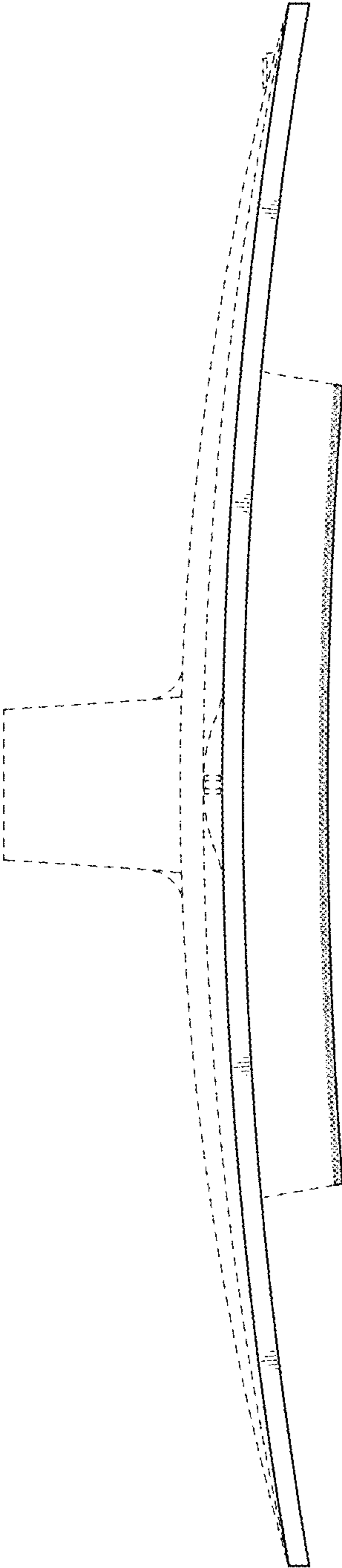


FIG. 7

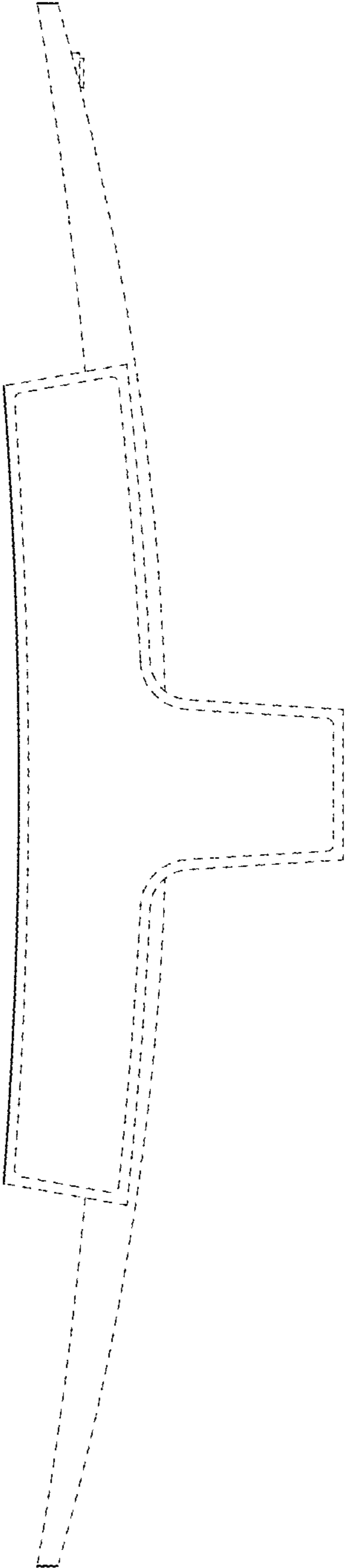


FIG. 8

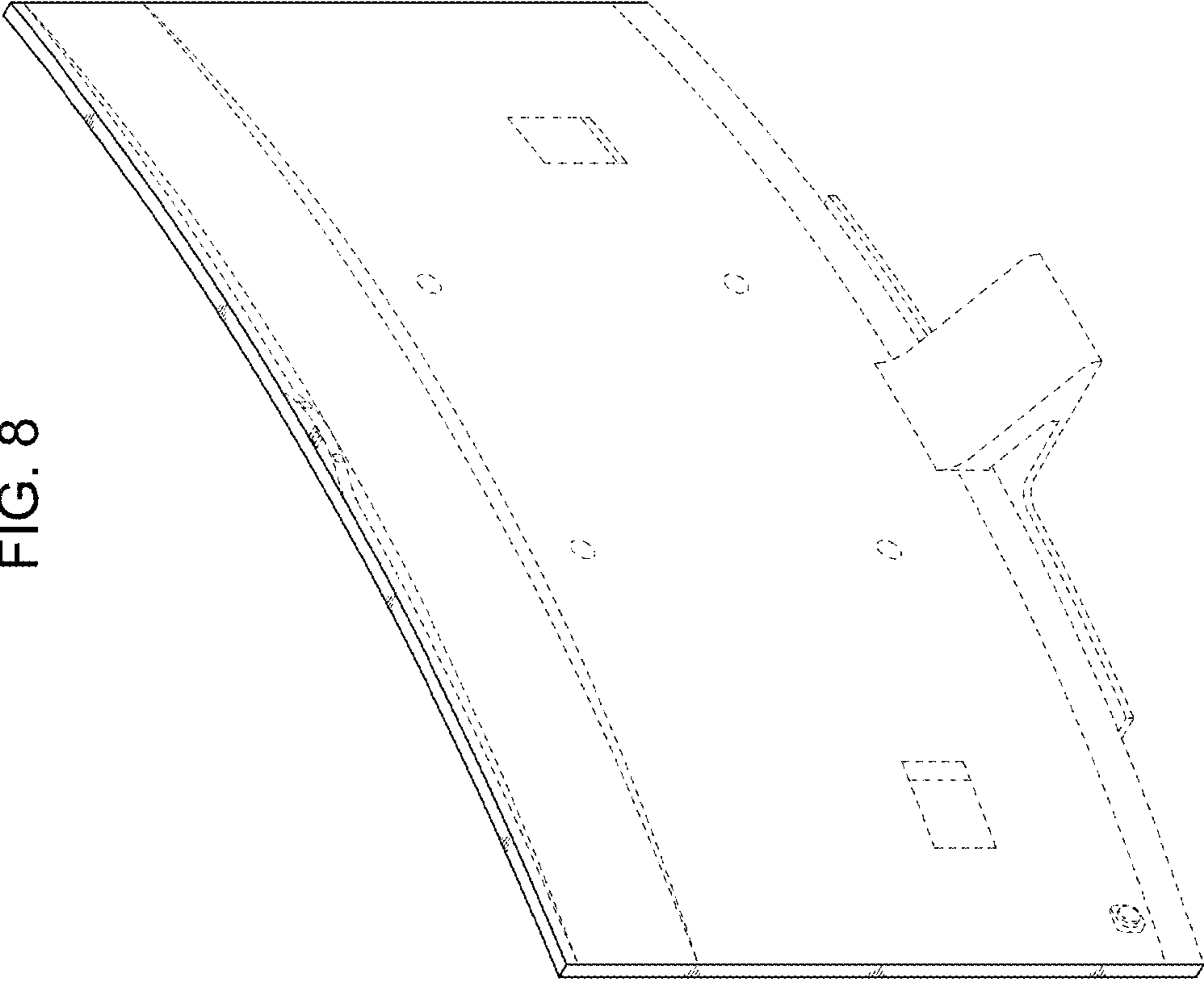


FIG. 9

