



US00D771580S

(12) **United States Design Patent**  
**Kerman**

(10) **Patent No.:** **US D771,580 S**  
(45) **Date of Patent:** **\*\* Nov. 15, 2016**

(54) **DECORATIVE DOOR FOR ELECTRICAL BOX**

D578,965 S \* 10/2008 Dively ..... D13/152  
8,089,747 B2 \* 1/2012 Storck ..... B60L 11/1818  
174/38

(71) Applicant: **Adam Kerman**, Northbrook, IL (US)

9,059,576 B2 \* 6/2015 Isaacks  
9,385,514 B2 \* 7/2016 Dively ..... H02G 3/0493

(72) Inventor: **Adam Kerman**, Northbrook, IL (US)

\* cited by examiner

(73) Assignee: **Steiner Electric Company**, Elk Grove Village, IL (US)

*Primary Examiner* — Lakiya Rogers

*Assistant Examiner* — Harold Blackwell, II

(\*\*) Term: **14 Years**

(74) *Attorney, Agent, or Firm* — Knechtel, Demeur & Samlan

(21) Appl. No.: **29/519,234**

(22) Filed: **Mar. 3, 2015**

(57) **CLAIM**

(51) **LOC (10) Cl.** ..... **13-99**

I claim the ornamental design for a decorative door for electrical box, as shown and described.

(52) **U.S. Cl.**

USPC ..... **D13/184**

(58) **Field of Classification Search**

**DESCRIPTION**

USPC ..... D13/133, 139.3, 139.4, 139.5, 152, 156,  
D13/177, 184, 187; 174/50, 53-55, 58,  
174/66-67; 361/622, 679, 724, 728, 736;  
439/135-136, 138, 142, 535-536

CPC ..... H02G 3/0418

See application file for complete search history.

FIG. 1 is a front view showing the new design;  
FIG. 2 is a right side view of the door with the left side view being a mirror image thereof;  
FIG. 3 is a front perspective view of the door;  
FIG. 4 is a perspective view taken from the right front bottom corner; and,  
FIG. 5 is a rear perspective view of the door.  
The broken lines in the drawings depict environmental subject matter only and form no part of the claimed design.

(56) **References Cited**

**U.S. PATENT DOCUMENTS**

D422,564 S \* 4/2000 Arizpe ..... D13/152  
7,361,832 B2 \* 4/2008 Dively ..... H02G 3/088  
174/37

**1 Claim, 4 Drawing Sheets**

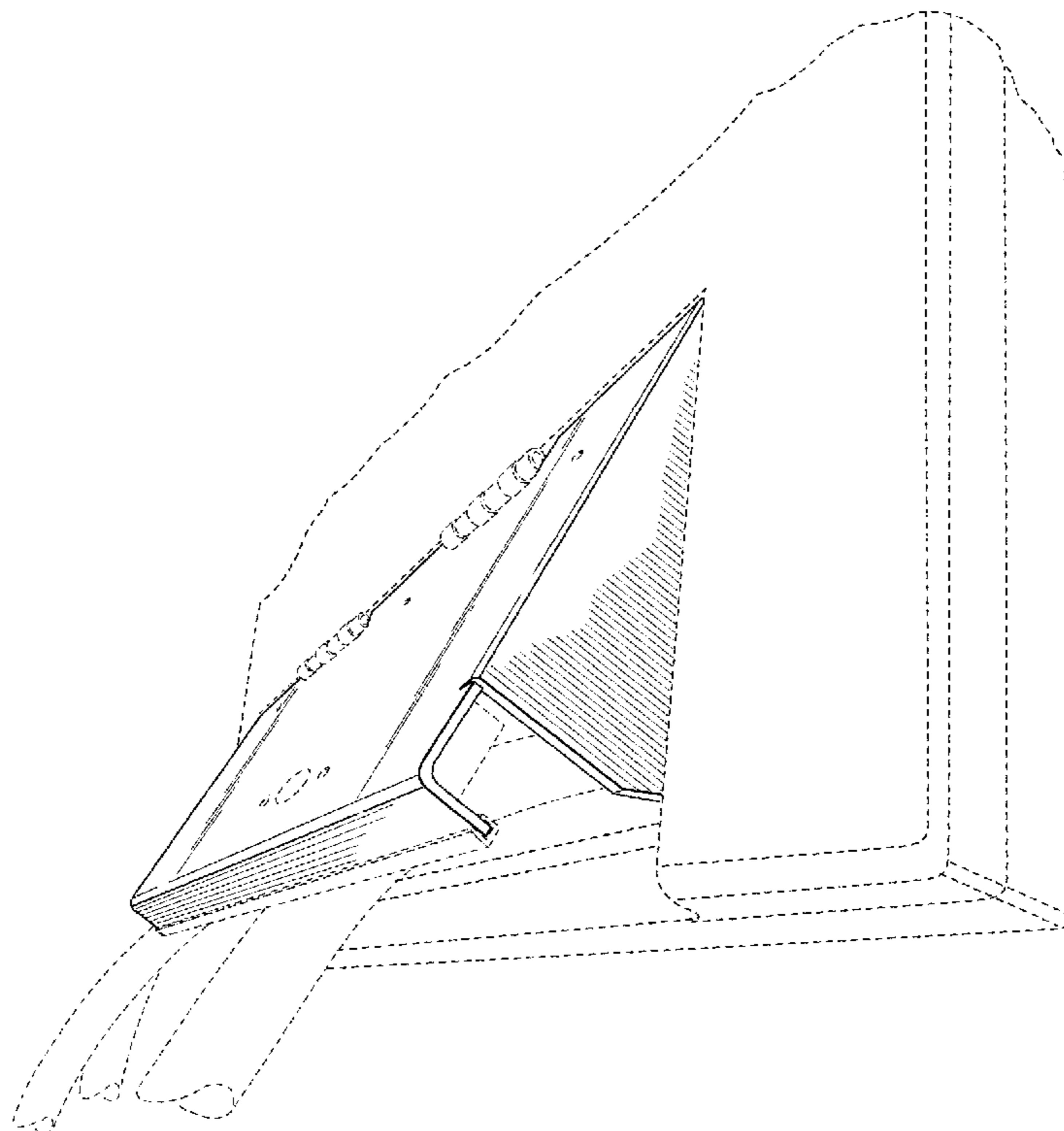


Fig. 1

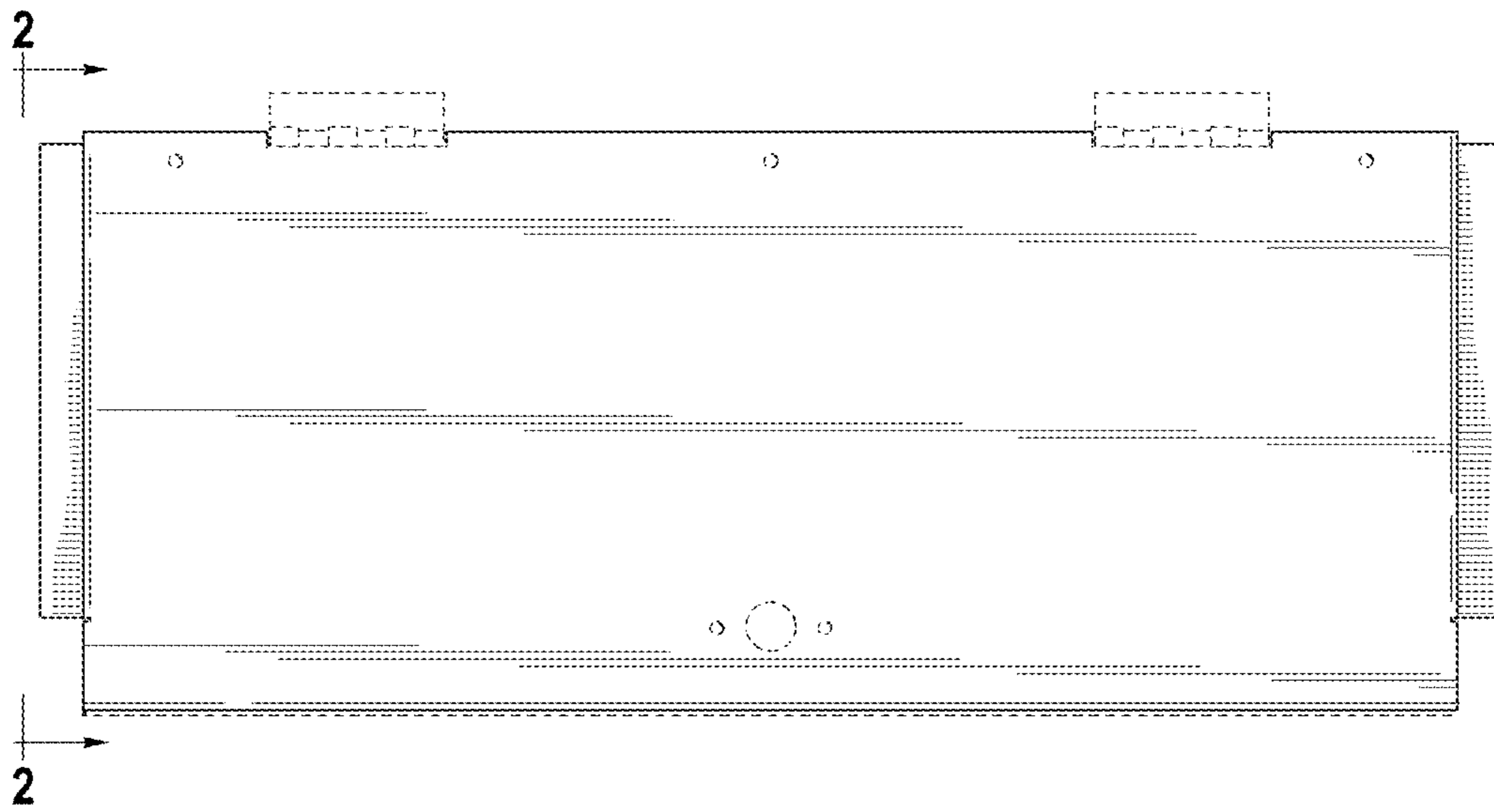


Fig. 2

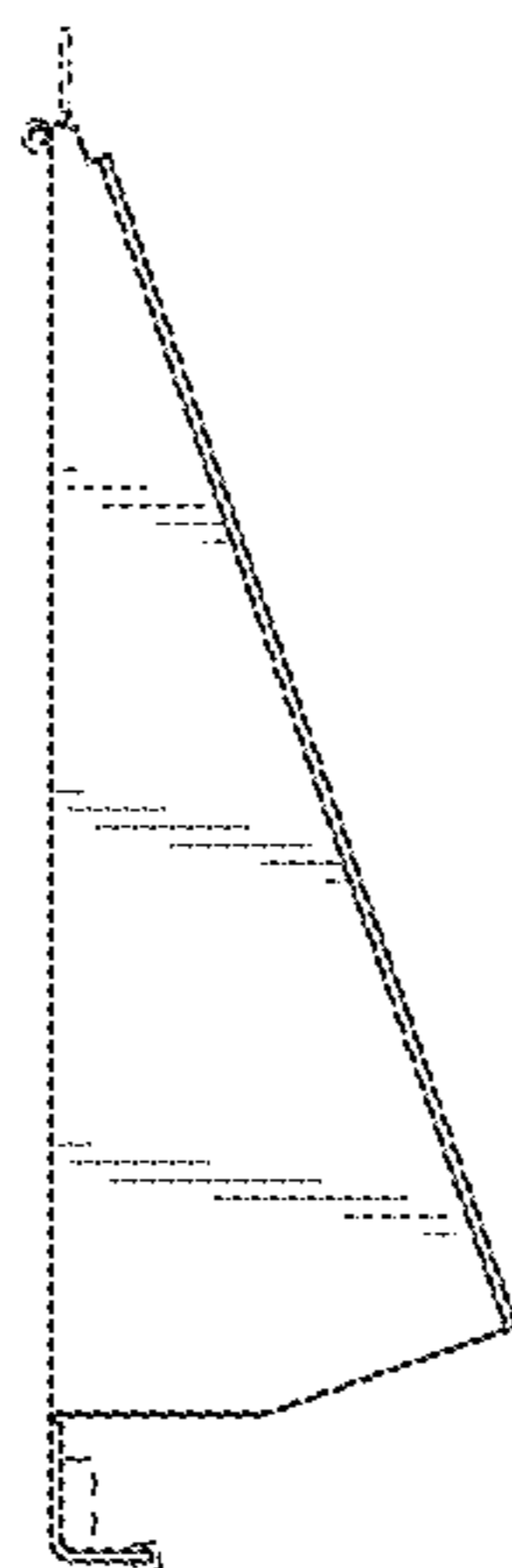


Fig. 3

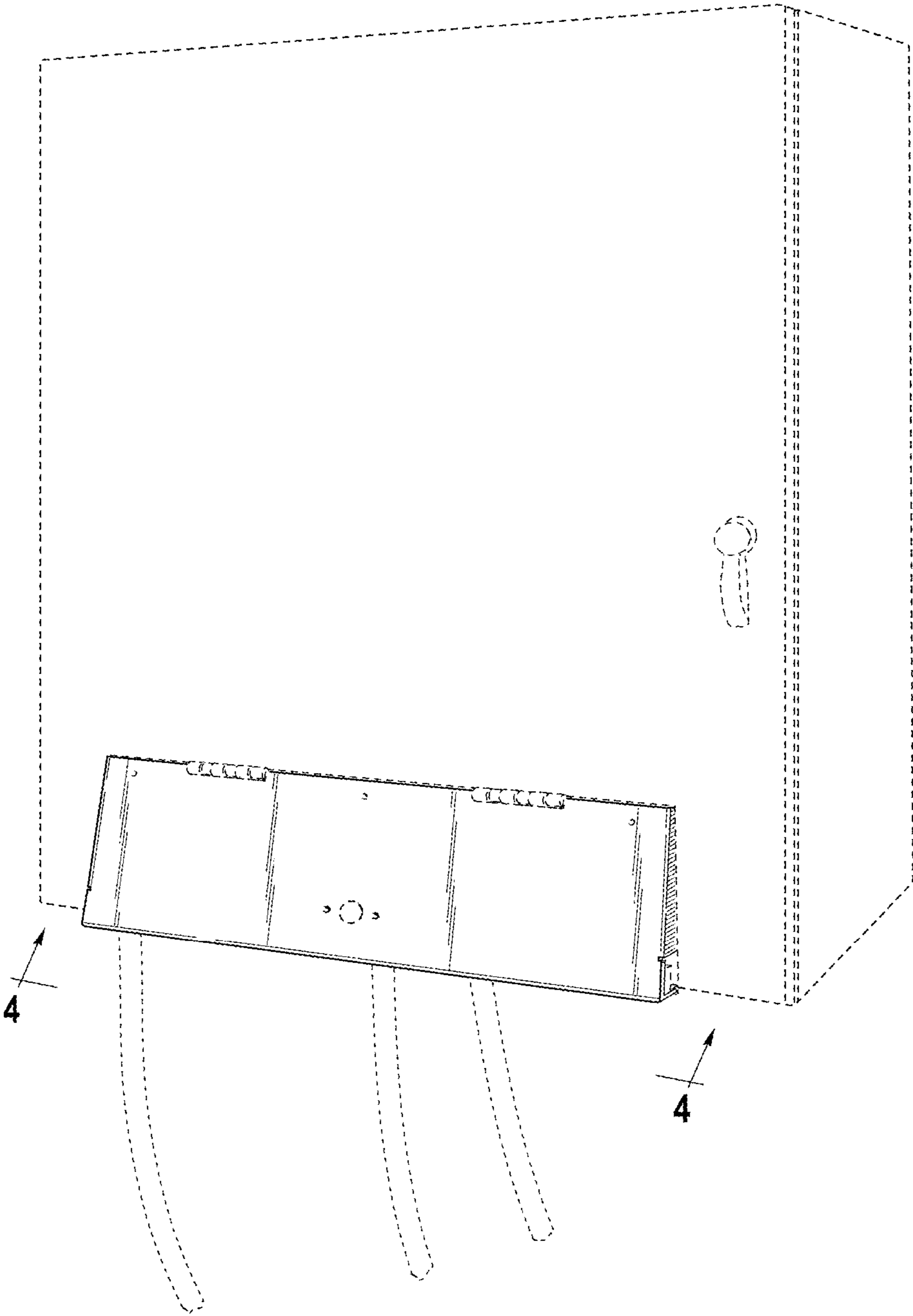


Fig. 4

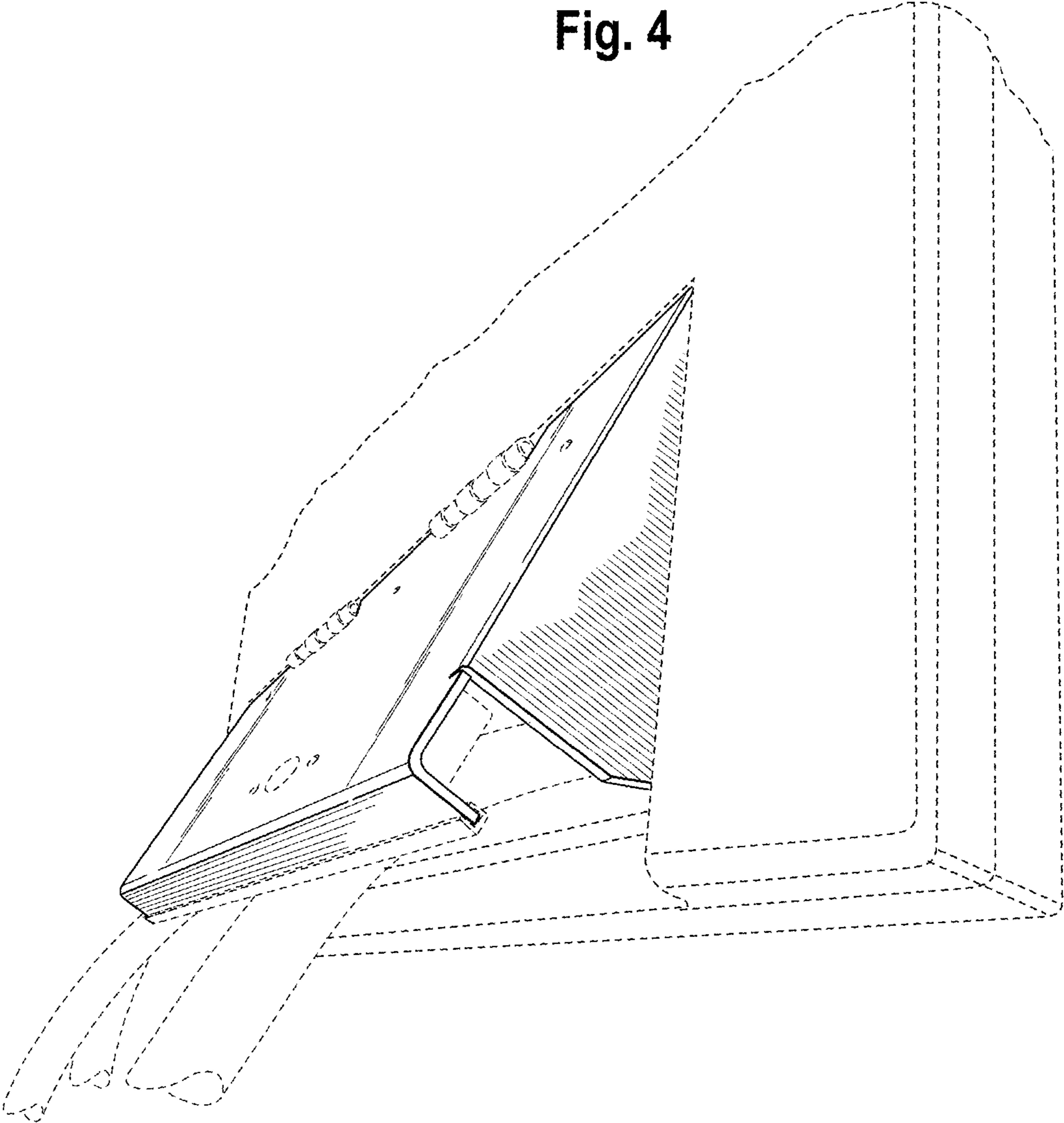


Fig. 5

