



US00D771574S

(12) **United States Design Patent**
Hultquist

(10) **Patent No.:** **US D771,574 S**

(45) **Date of Patent:** **** Nov. 15, 2016**

(54) **COVER FOR A POWER DISTRIBUTION
MODULE**

(71) Applicant: **Chief Enterprises, Inc.**, Elmhurst, IL
(US)

(72) Inventor: **Kevin Hultquist**, Bartlett, IL (US)

(73) Assignee: **Chief Enterprises, Inc.**, Elmhurst, IL
(US)

(**) Term: **15 Years**

(21) Appl. No.: **29/538,147**

(22) Filed: **Sep. 1, 2015**

(51) **LOC (10) Cl.** **13-03**

(52) **U.S. Cl.**
USPC **D13/156**

(58) **Field of Classification Search**
USPC D13/110, 123, 133, 137.1, 139.1, 139.4,
D13/152, 154, 155, 156, 158, 162, 164, 173,
D13/177, 184; D8/349-351, 353; 174/67,
174/66; D10/49; 439/147-149, 373, 391,
439/535, 536, 538; 220/241, 242; 361/600,
361/707, 752
CPC .. H05K 5/0013; H05K 5/006; H05K 5/0073;
H05K 7/1417
See application file for complete search history.

(56) **References Cited**

U.S. PATENT DOCUMENTS

D217,672 S * 5/1970 Vilegi et al. D13/152
D238,580 S * 1/1976 Sonderborg D13/179
D245,102 S * 7/1977 Gross D25/36
D342,235 S * 12/1993 Shotey D13/156
5,357,565 A * 10/1994 Butler, III E05D 11/0054
16/250

D390,825 S * 2/1998 Chen D13/110
D425,488 S * 5/2000 Byrd D13/154
D432,996 S * 10/2000 Monaco D13/162
D444,572 S * 7/2001 Howe D25/36
D462,329 S * 9/2002 Hughes D13/152
D485,810 S * 1/2004 Flocchi D13/184
D556,143 S * 11/2007 Ni D13/152
D560,170 S * 1/2008 Ni D13/152
D561,708 S * 2/2008 Anzai D13/177
D597,035 S * 7/2009 Libby D13/156
D602,442 S * 10/2009 Allwood D13/156
D709,835 S * 7/2014 Jones D13/152
D745,455 S * 12/2015 Nook D13/103
D758,979 S * 6/2016 Moon D13/184

* cited by examiner

Primary Examiner — Derrick Holland

Assistant Examiner — Jennifer O King

(74) *Attorney, Agent, or Firm* — Meroni & Meroni, PC;
Charles F. Meroni, Jr.

(57) **CLAIM**

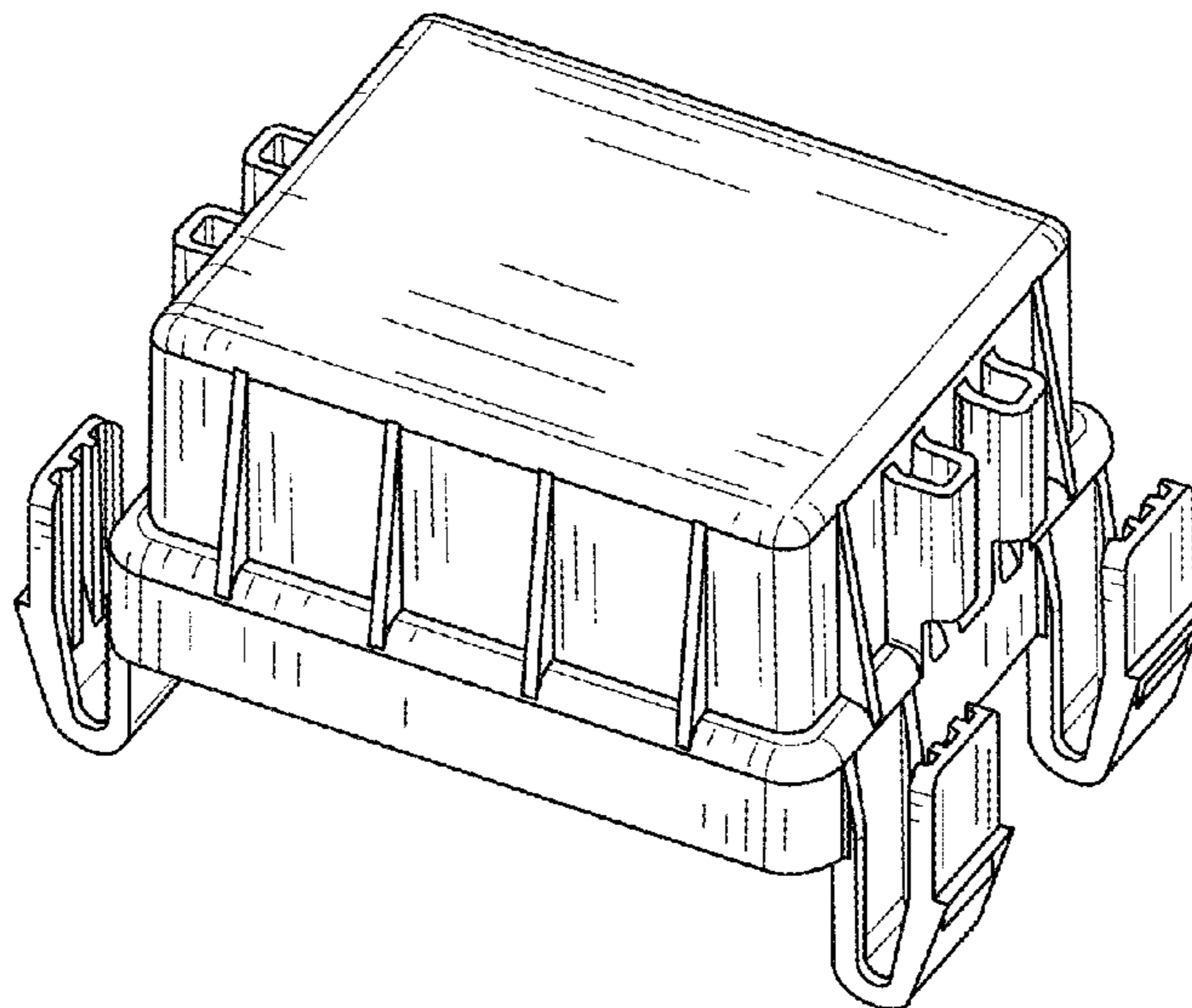
The ornamental design of a cover for a power distribution module, as shown and described.

DESCRIPTION

FIG. 1 is a perspective view of a cover for a power distribution module;
FIG. 2 is a right side view thereof;
FIG. 3 is a left side view thereof;
FIG. 4 is a front end view thereof;
FIG. 5 is a rear end view thereof;
FIG. 6 is a top view thereof; and,
FIG. 7 is a bottom view thereof.

The broken lines shown represent unclaimed subject matter and form no part of the claimed design.

1 Claim, 3 Drawing Sheets



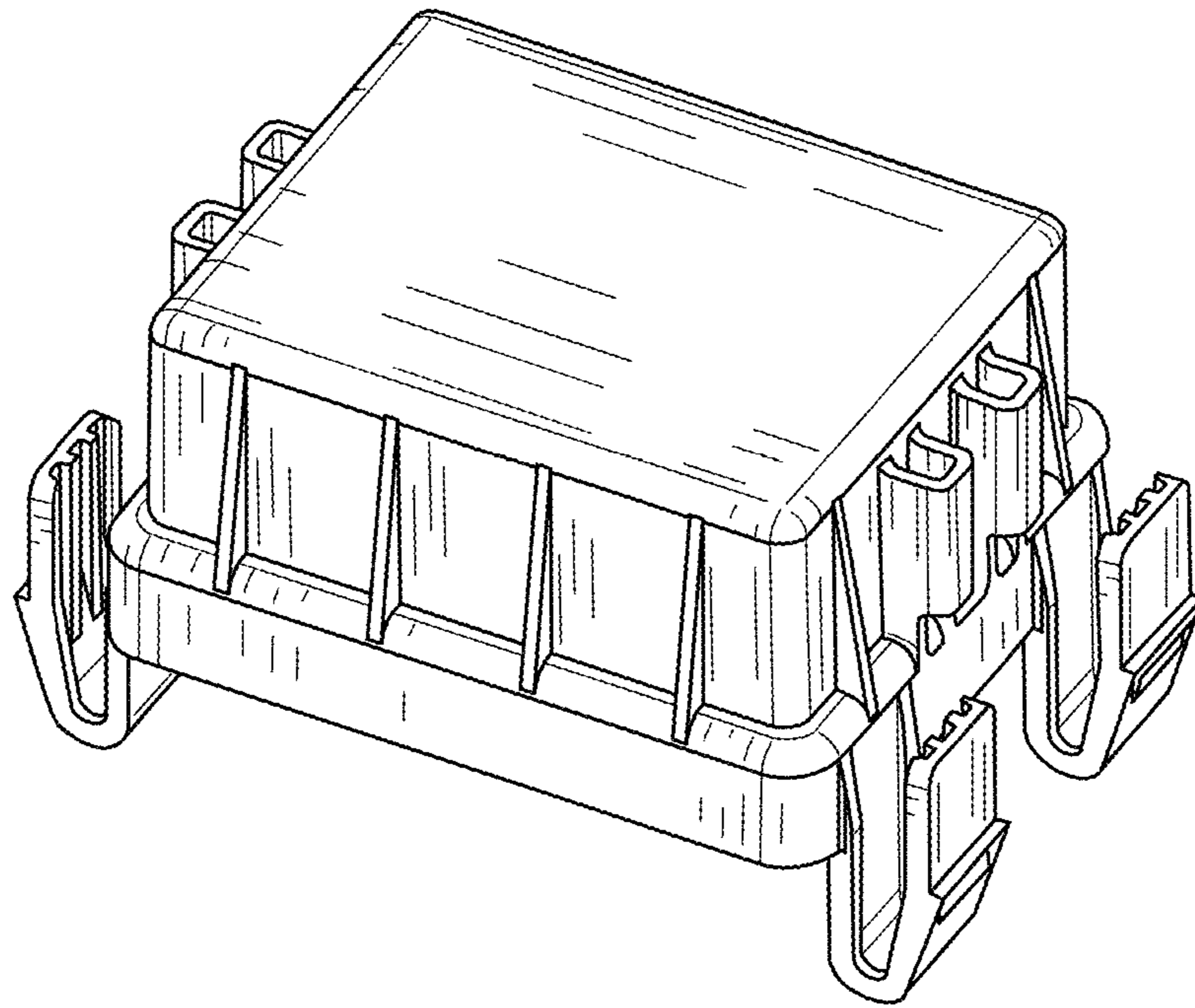


FIG. 1

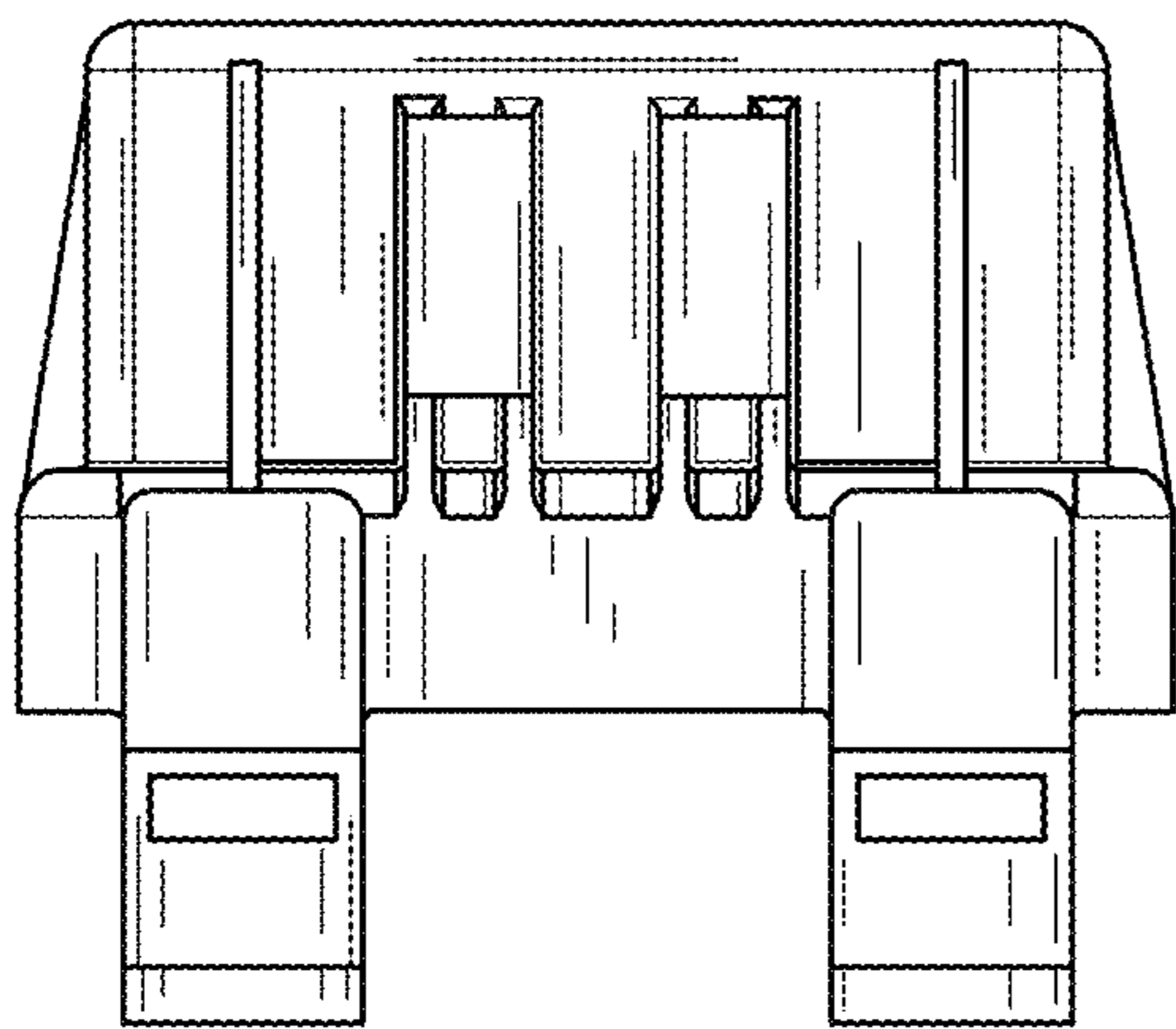


FIG. 2

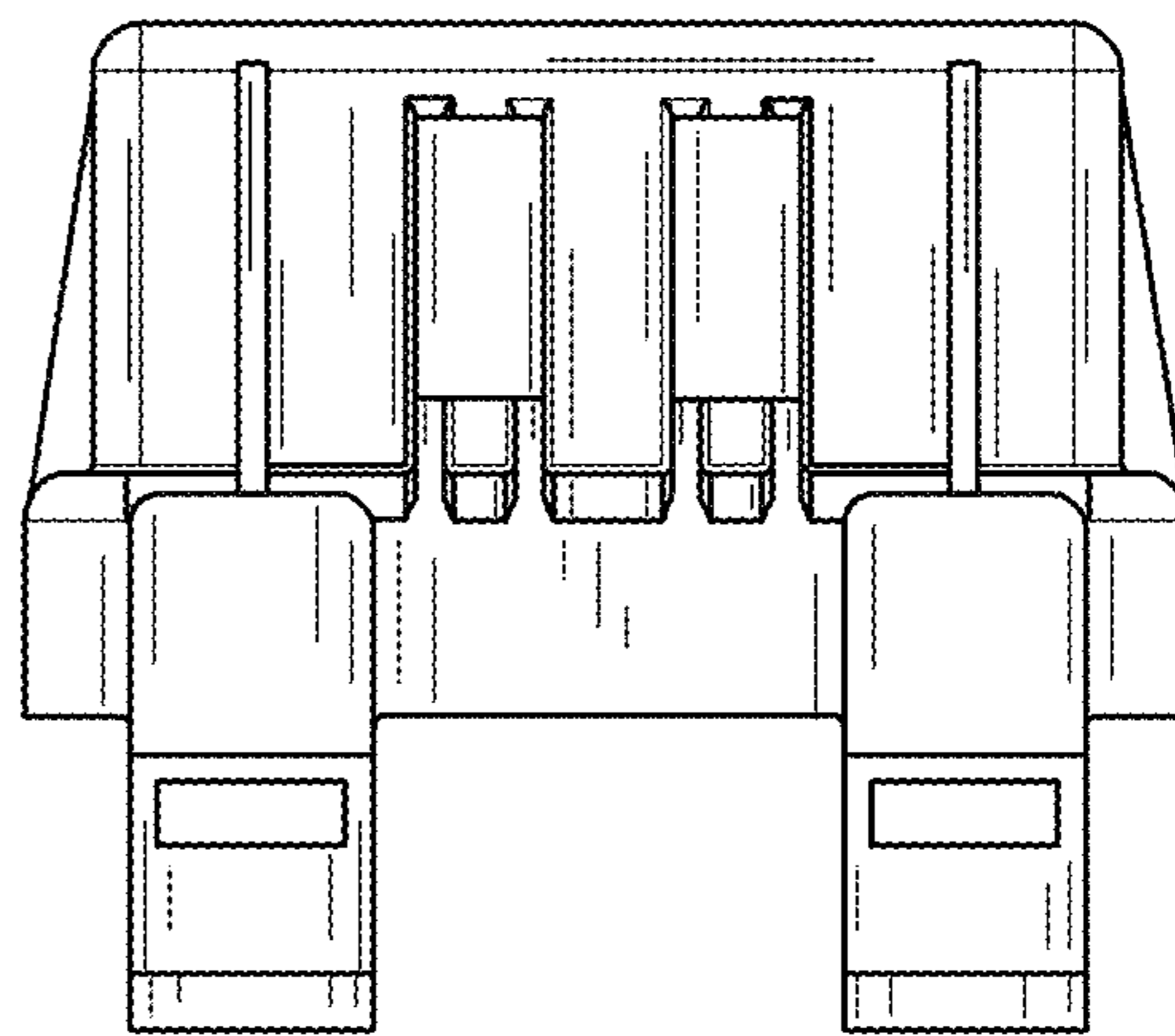


FIG. 3

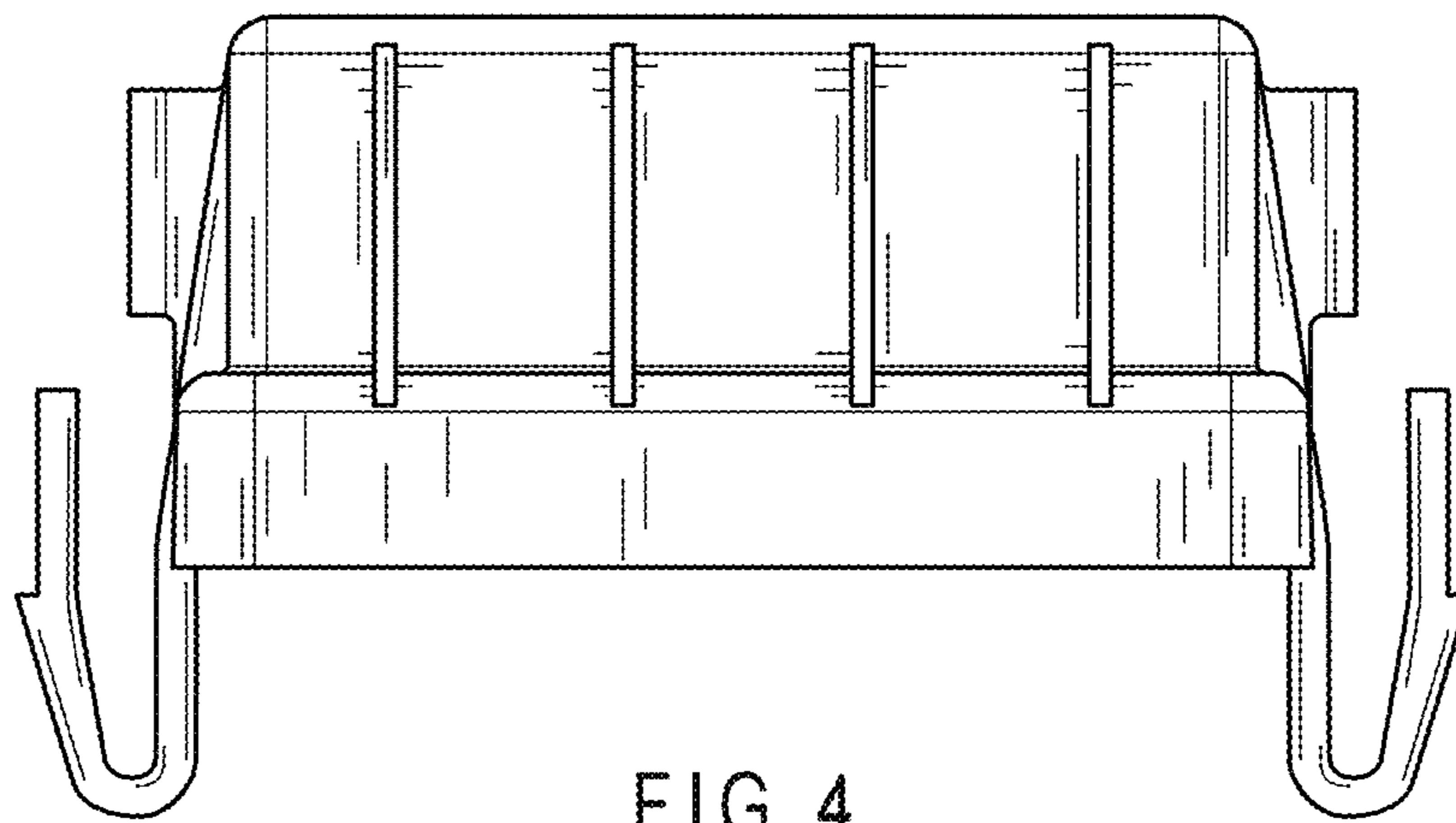


FIG. 4

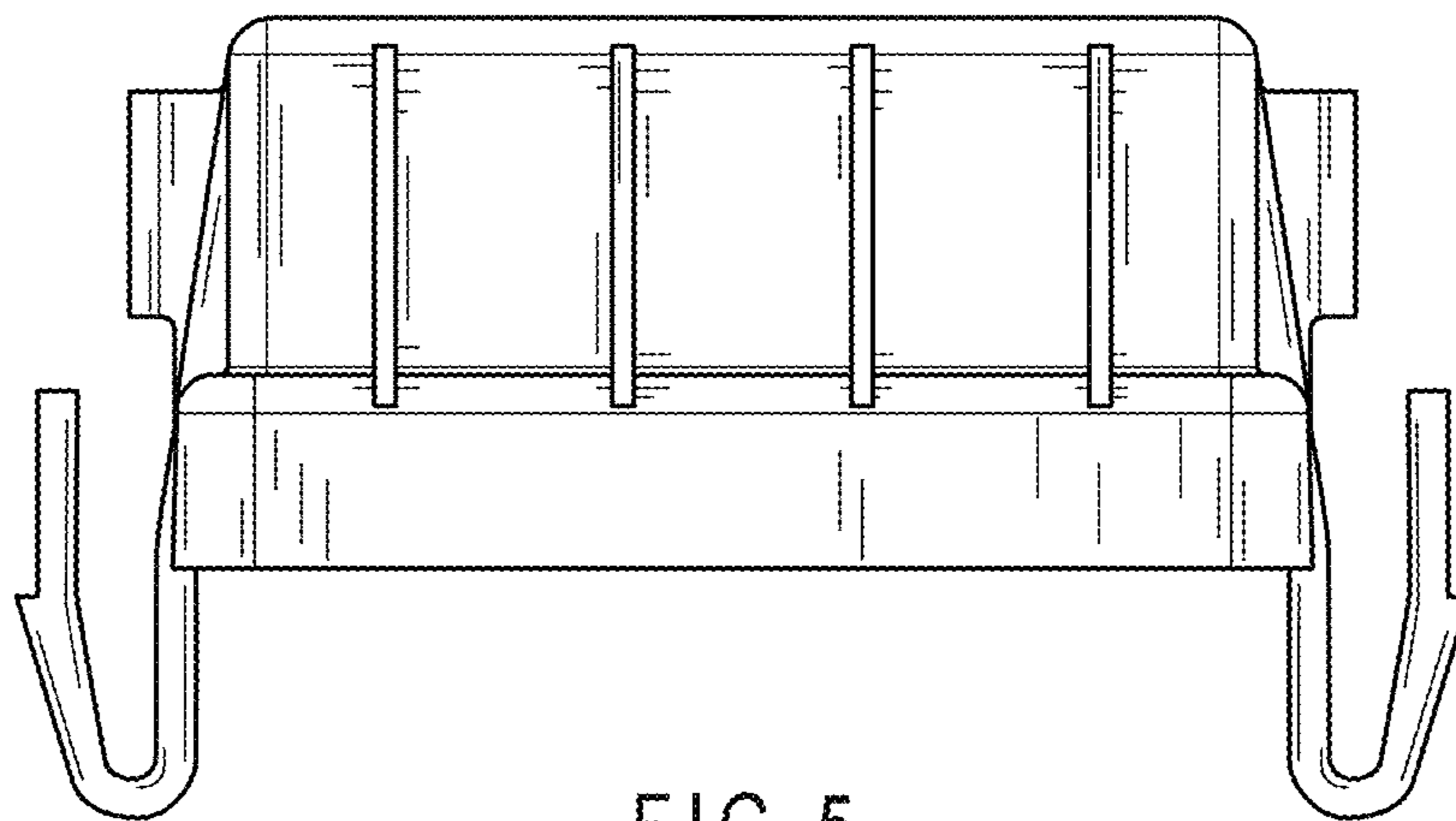


FIG. 5

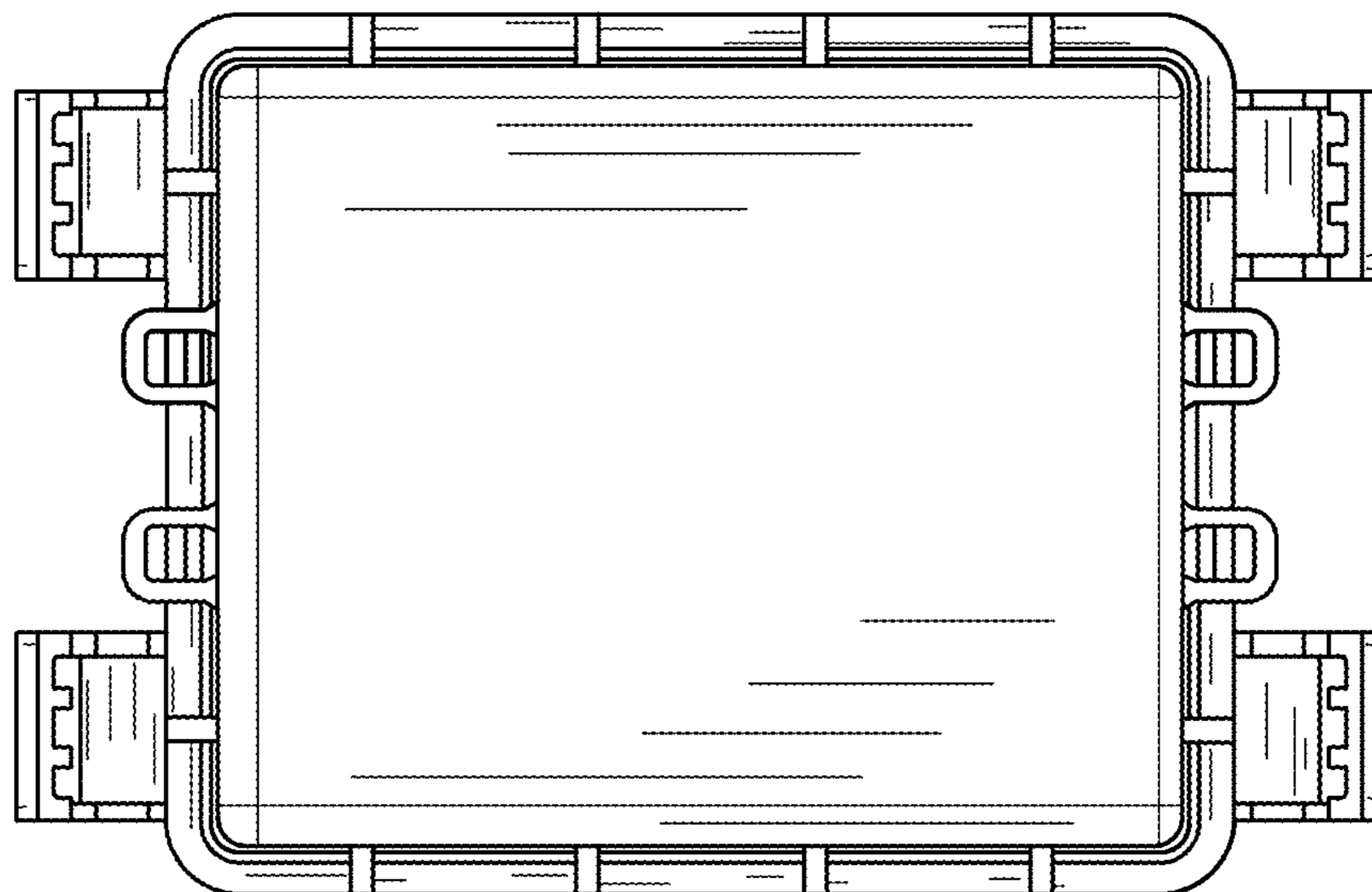


FIG. 6

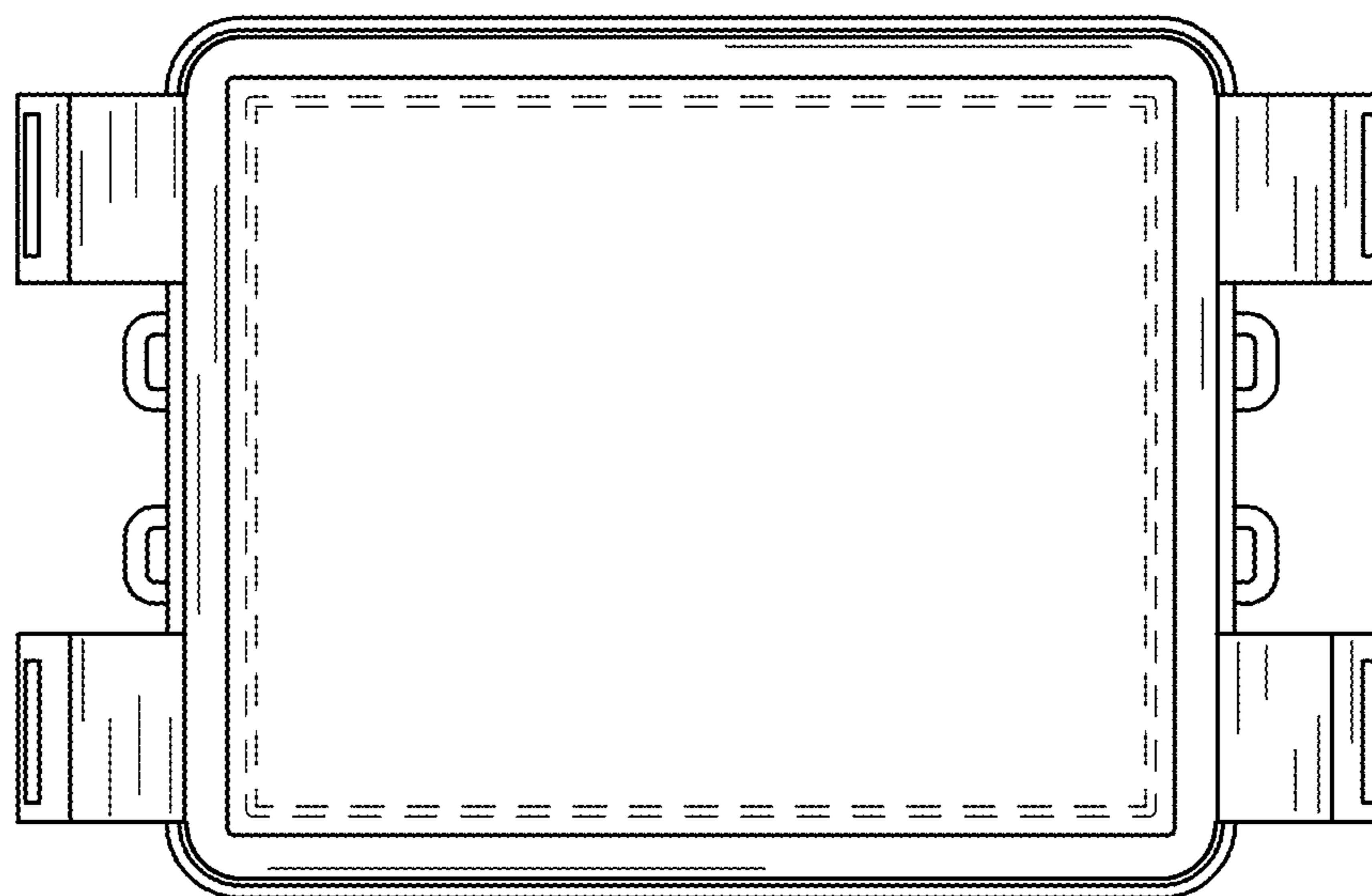


FIG. 7