



US00D771573S

(12) **United States Design Patent** (10) **Patent No.:** **US D771,573 S**  
**Lowchareonkul et al.** (45) **Date of Patent:** **\*\* Nov. 15, 2016**

- (54) **DIAGNOSTIC PORT PLUG** D399,484 S \* 10/1998 Higgins ..... D13/103
- (71) Applicants: **Phahol Lowchareonkul**, Los Altos Hills, CA (US); **Ivana Trajanovska**, Los Altos Hills, CA (US) D475,014 S \* 5/2003 Kano ..... D13/133
- (72) Inventors: **Phahol Lowchareonkul**, Los Altos Hills, CA (US); **Ivana Trajanovska**, Los Altos Hills, CA (US) 6,832,141 B2 \* 12/2004 Skeen ..... G07C 5/008
- (\*\*) Term: **15 Years** D589,444 S \* 3/2009 Kok ..... D13/133
- (21) Appl. No.: **29/530,486** 7,553,173 B2 \* 6/2009 Kowalick ..... H01R 13/443
- (22) Filed: **Jun. 17, 2015** 7,584,030 B1 \* 9/2009 Graham ..... H01R 13/665
- (51) **LOC (10) Cl.** ..... **13-03** 7,805,228 B2 \* 9/2010 Liebl ..... G07C 5/008
- (52) **U.S. Cl.** ..... **D13/156** 8,480,433 B2 \* 7/2013 Huang ..... B60R 16/0232
- (58) **Field of Classification Search** 9,026,306 B2 \* 5/2015 Wu ..... G07C 5/085

USPC ..... **D13/156**  
 429/175, 151  
 CPC ..... H01R 13/641; H01M 2/1027; H01M 2/1022; H01M 2/1072; H01M 2/105; H01M 2/1077; G07C 5/008; G07C 5/085; G07C 5/08; G07C 5/0808  
 See application file for complete search history.

(56) **References Cited**  
 U.S. PATENT DOCUMENTS

- D198,529 S \* 6/1964 Lewis ..... D13/145
- D308,513 S \* 6/1990 Endo ..... D13/147
- D319,813 S \* 9/1991 Kozono ..... D13/133
- 5,127,848 A \* 7/1992 Taguchi ..... H01R 13/641
- D344,065 S \* 2/1994 Hughes ..... D13/147
- D354,273 S \* 1/1995 Reed ..... D13/156

\* cited by examiner

*Primary Examiner* — Derrick Holland  
*Assistant Examiner* — Jennifer O King  
 (74) *Attorney, Agent, or Firm* — R&D Patent Attorneys

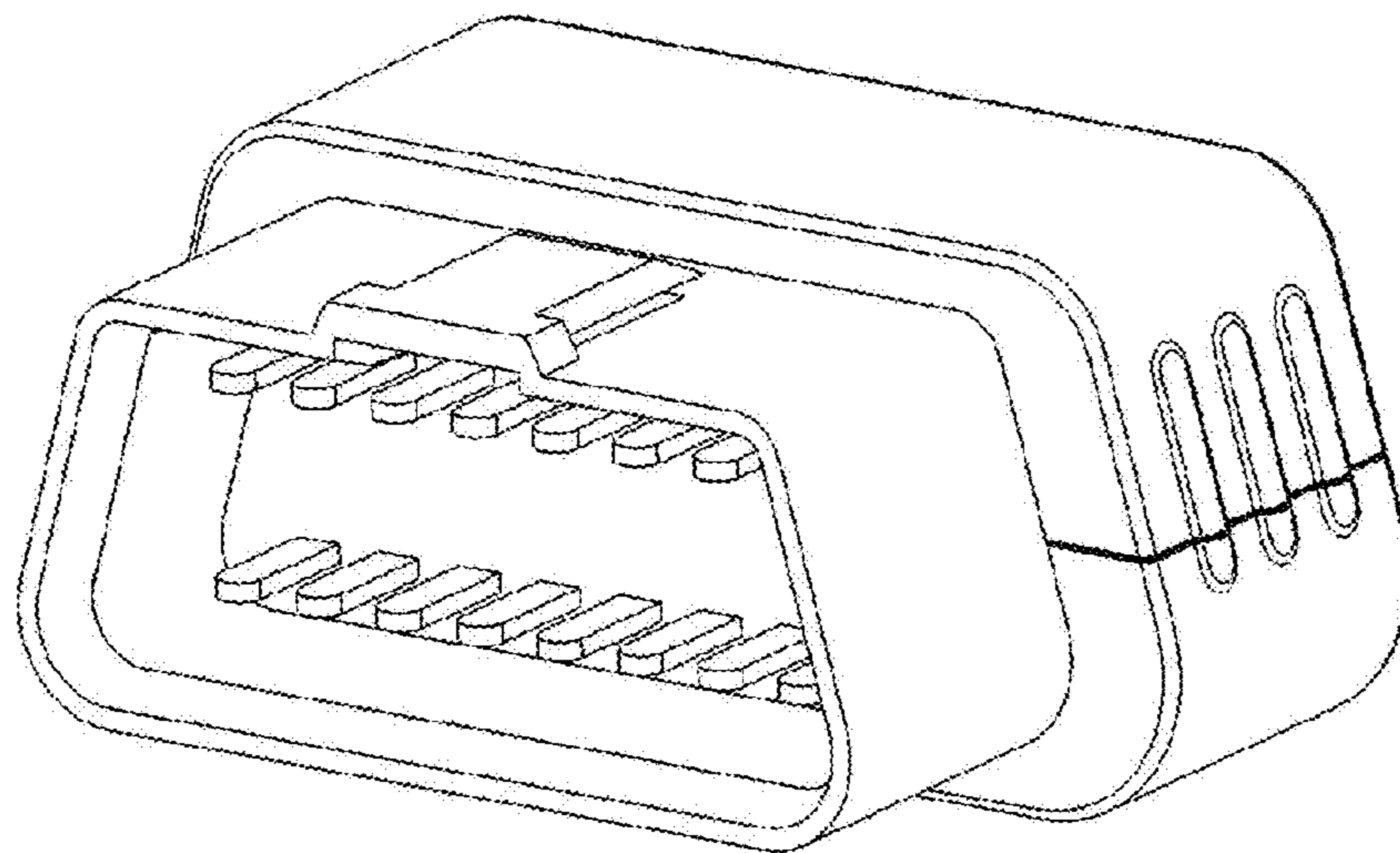
(57) **CLAIM**

The ornamental design for a diagnostic port plug, as shown and described.

**DESCRIPTION**

FIG. 1 is a front view of a diagnostic port plug showing my new design;  
 FIG. 2 is a left side view thereof;  
 FIG. 3 is a right side view thereof;  
 FIG. 4 is a rear view thereof;  
 FIG. 5 is a front-left angled isometric view thereof;  
 FIG. 6 is a rear-right angled isometric view thereof;  
 FIG. 7 is a top plan view thereof; and,  
 FIG. 8 is a bottom plan view thereof.

**1 Claim, 8 Drawing Sheets**



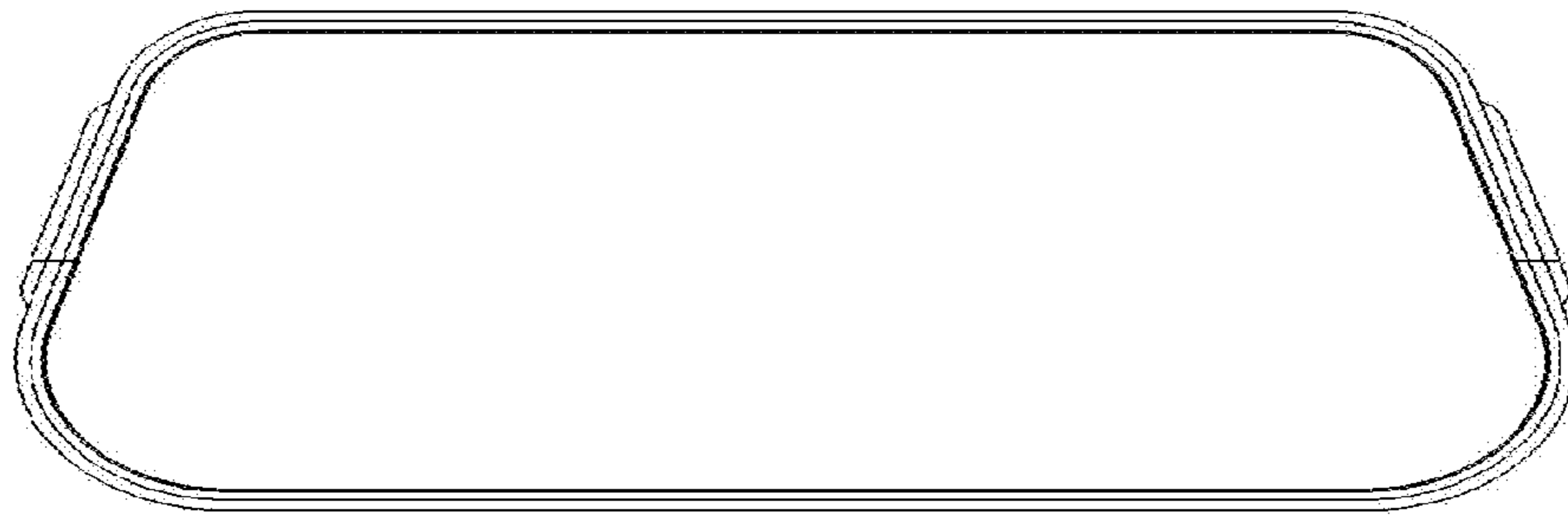


FIG. 1

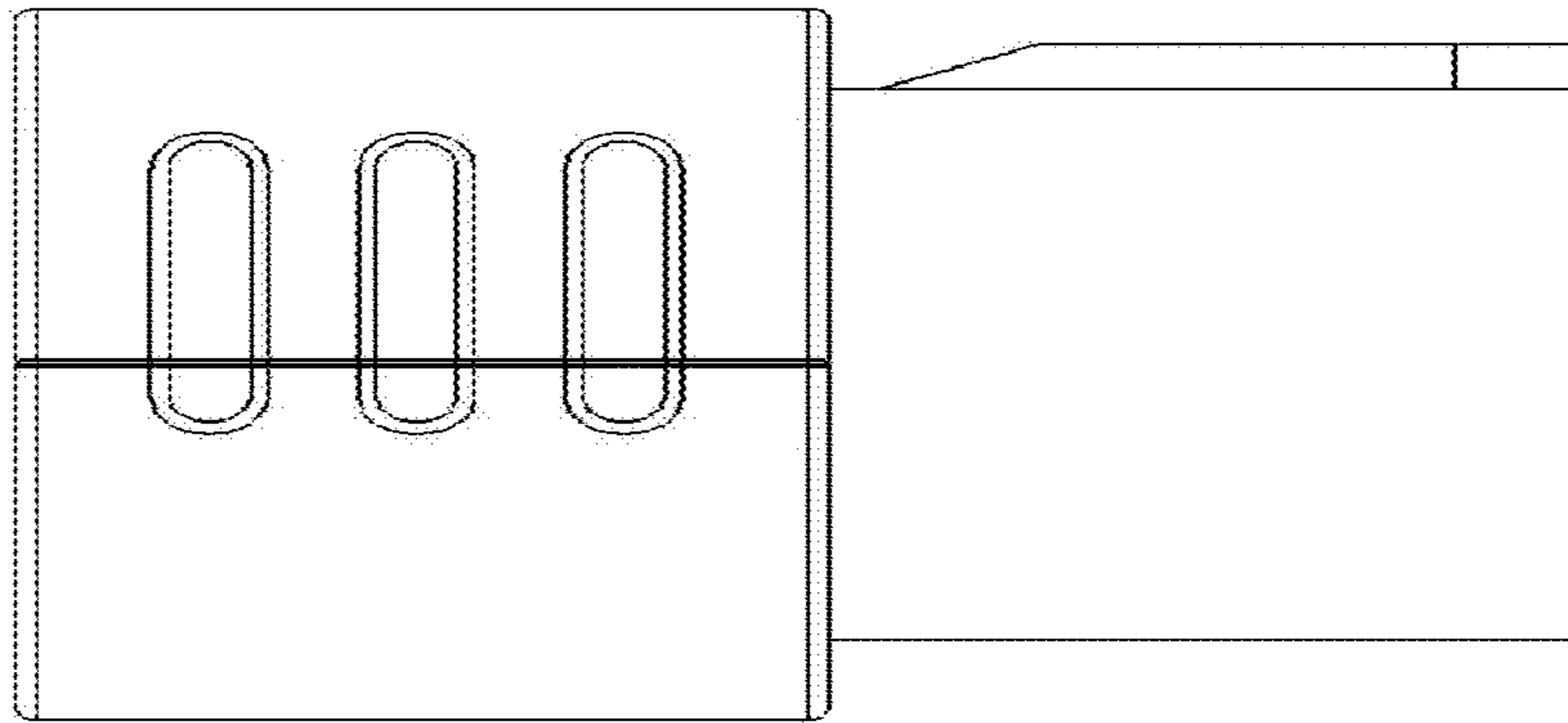


FIG. 2

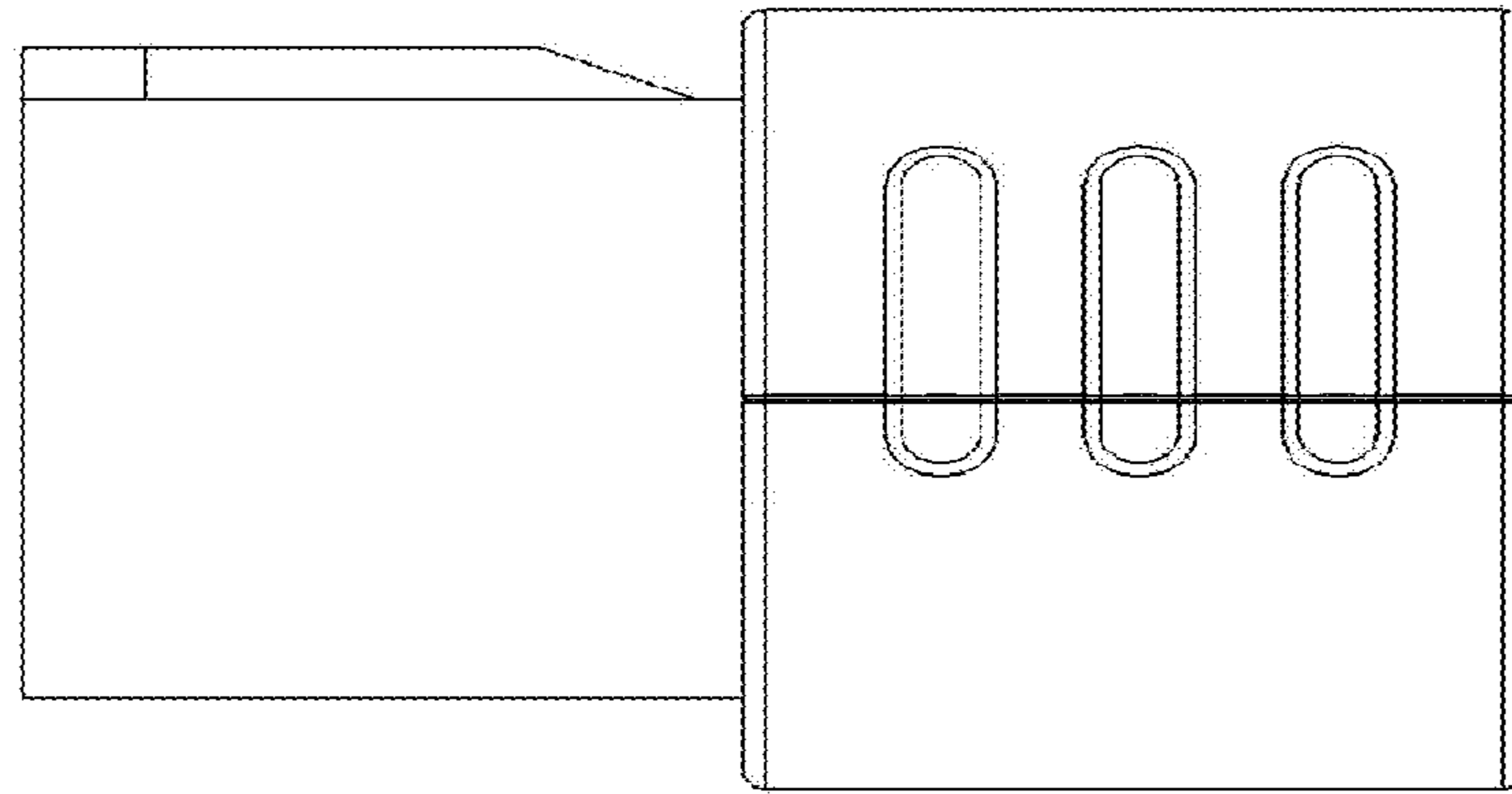


FIG. 3

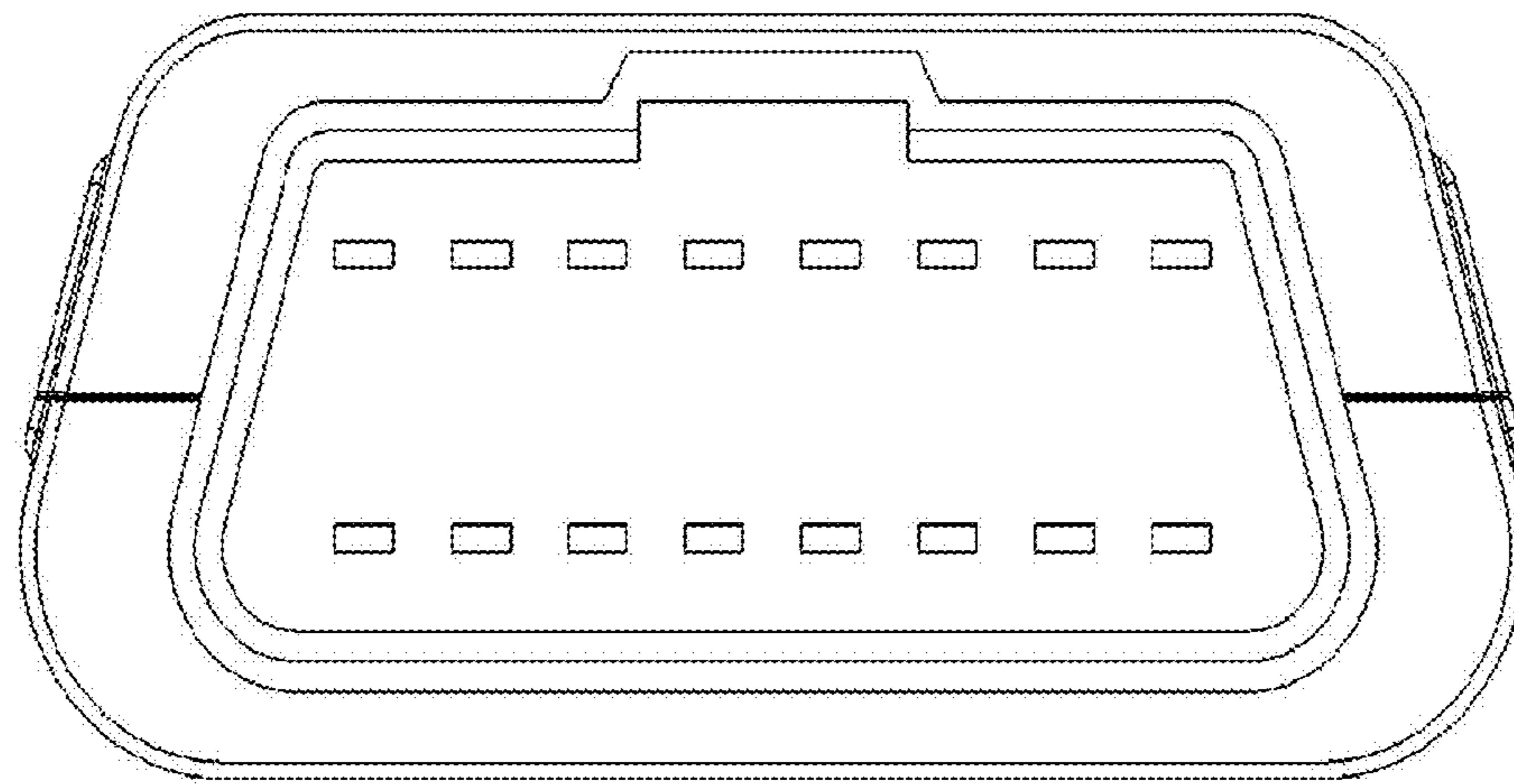


FIG. 4

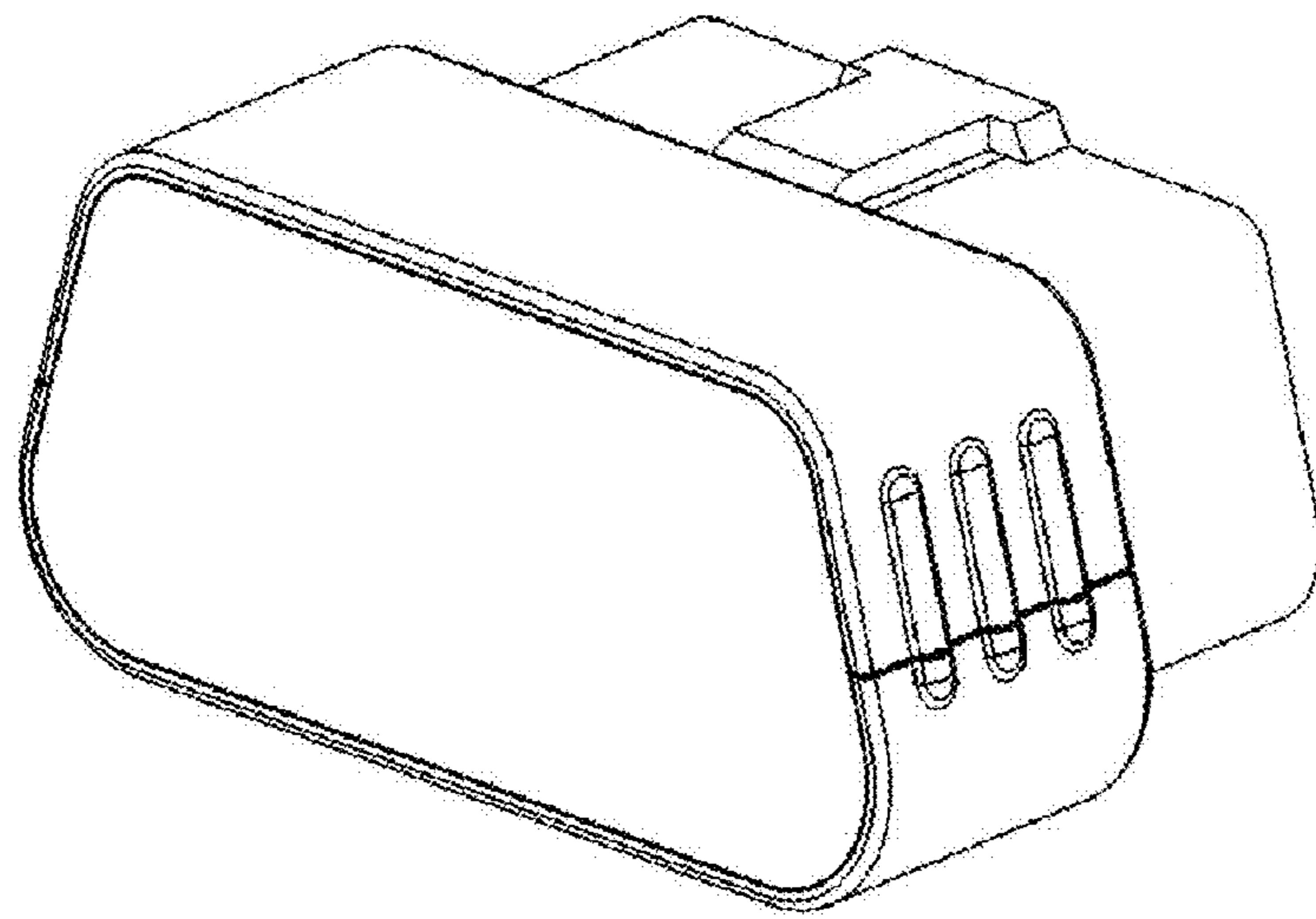


FIG. 5

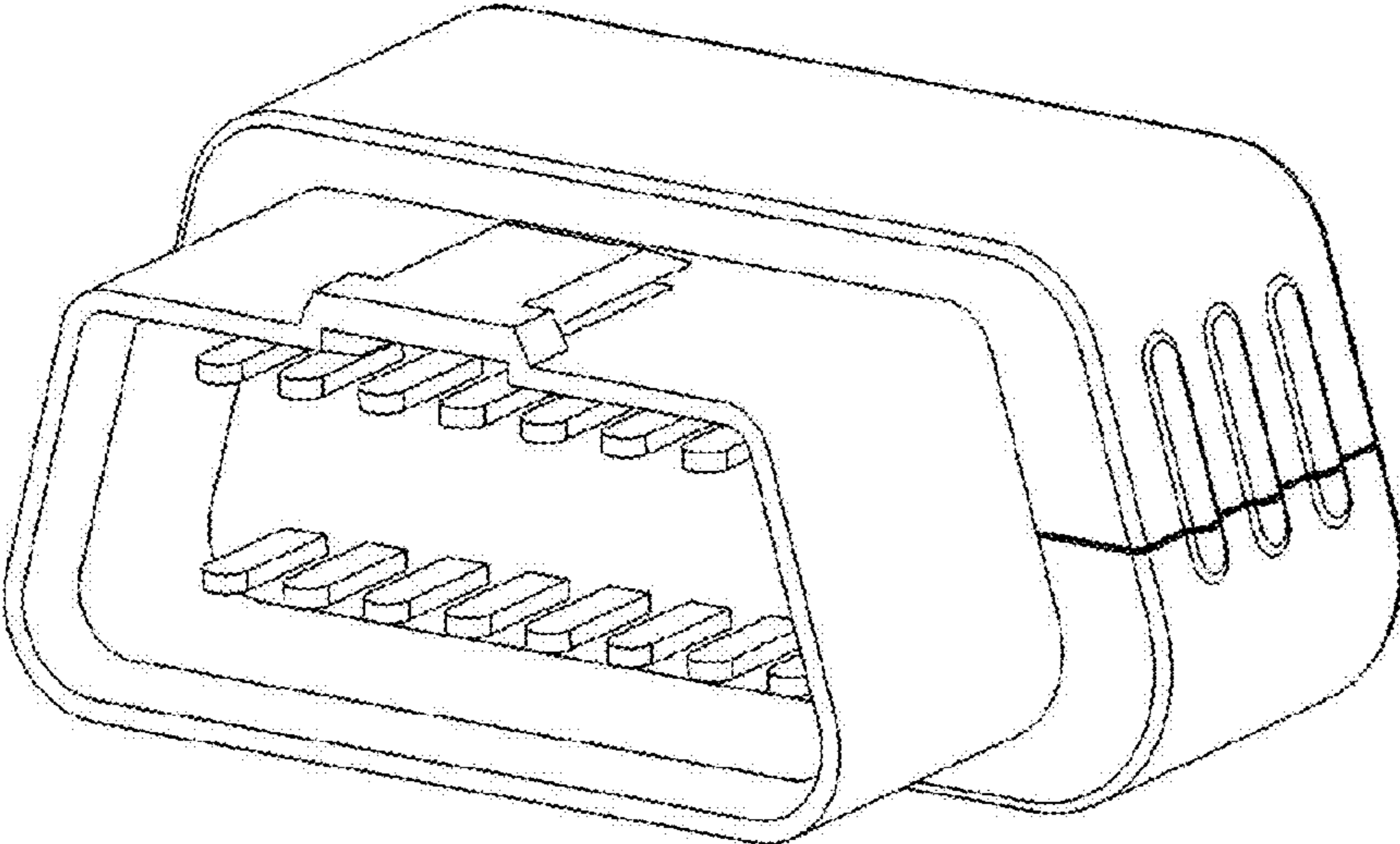


FIG. 6

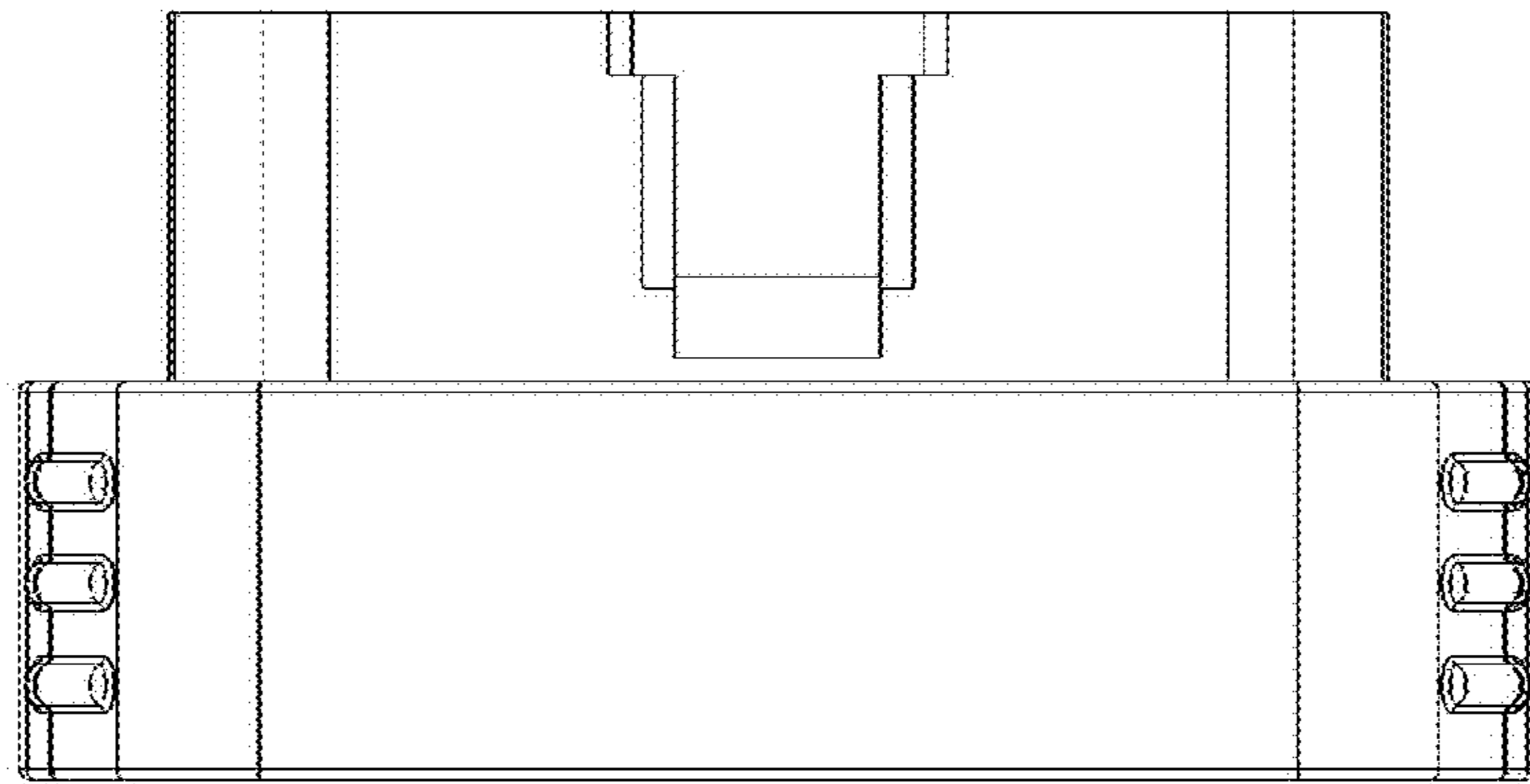


FIG. 7





FIG. 8