



US00D771572S

(12) **United States Design Patent** (10) **Patent No.:** **US D771,572 S**
Katagiyama et al. (45) **Date of Patent:** **** Nov. 15, 2016**

(54) **CAP FOR OPTICAL CONNECTOR**
 (71) Applicant: **Japan Aviation Electronics Industry, Limited**, Tokyo (JP)
 (72) Inventors: **Naoki Katagiyama**, Tokyo (JP); **Yuichi Koreeda**, Tokyo (JP)
 (73) Assignee: **JAPAN AVIATION ELECTRONICS INDUSTRY, LIMITED**, Tokyo (JP)

(**) Term: **15 Years**

(21) Appl. No.: **29/528,176**

(22) Filed: **May 27, 2015**

(30) **Foreign Application Priority Data**

Dec. 10, 2014 (JP) 2014-027521

(51) **LOC (10) Cl.** **13-03**

(52) **U.S. Cl.**
USPC **D13/156**

(58) **Field of Classification Search**
 USPC D13/120–122, 133, 154, 156, 158, 160, D13/173, 178, 184, 199; 174/50, 520, 67, 174/92, 93; 361/600; 439/723, 752, 135, 439/149, 367; 385/134, 35
 CPC H01R 13/424; H01R 13/436; H01R 13/4362; H01R 13/5213; H01R 13/6392; G02B 6/3831
 See application file for complete search history.

(56) **References Cited**

U.S. PATENT DOCUMENTS

3,686,616 A * 8/1972 Bowerman H01R 13/443 24/511
 D244,027 S * 4/1977 Mooney D13/156
 D251,491 S * 4/1979 Snyder, Jr. D13/146
 D316,402 S * 4/1991 Baker D13/156
 6,022,150 A * 2/2000 Erdman G02B 6/3843 385/62
 6,062,739 A * 5/2000 Blake G02B 6/3831 385/56

6,491,443 B1 * 12/2002 Serizawa G02B 6/4204 385/33
 6,524,015 B1 * 2/2003 Cheng G02B 6/3846 385/76
 D675,167 S * 1/2013 Smith D13/156
 8,824,841 B1 * 9/2014 Mullen G02B 6/3878 29/428
 D722,024 S * 2/2015 Smith D13/147
 D733,655 S * 7/2015 Sato D13/133
 D734,266 S * 7/2015 Sato D13/133
 D747,634 S * 1/2016 Katagiyama D8/14
 D751,505 S * 3/2016 Katagiyama D13/133
 2009/0305542 A1 * 12/2009 Masuzaki H01R 13/625 439/335
 2014/0065872 A1 * 3/2014 Yamada H01R 13/6271 439/357

* cited by examiner

Primary Examiner — Derrick Holland
Assistant Examiner — Jennifer O King
 (74) *Attorney, Agent, or Firm* — Manabu Kanesaka

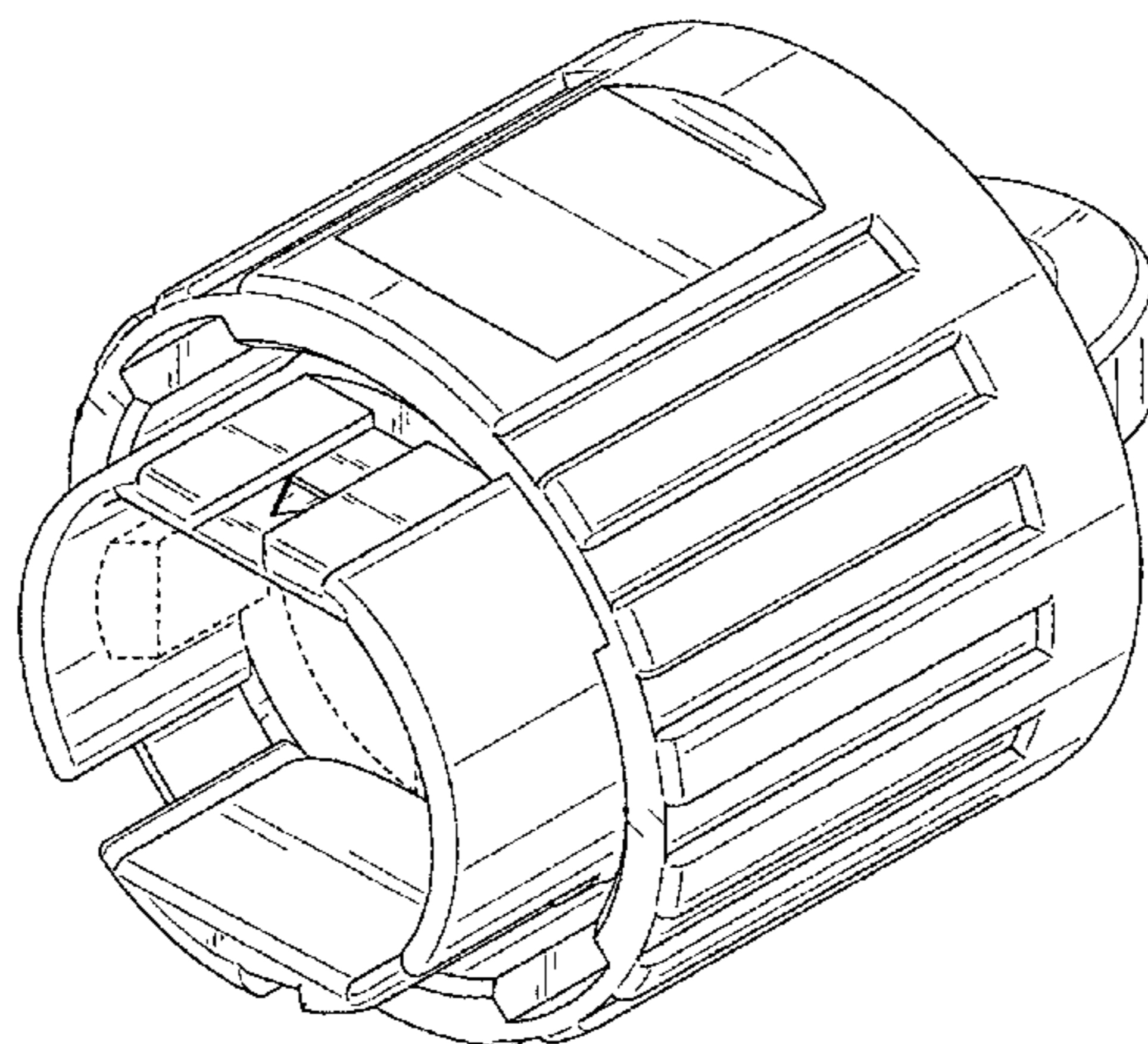
(57) **CLAIM**

The ornamental design for a cap for optical connector, as shown and described.

DESCRIPTION

FIG. 1 is a front view of a cap for optical connector showing our new design;
 FIG. 2 is a rear view thereof;
 FIG. 3 is a right side view thereof;
 FIG. 4 is a left side view thereof;
 FIG. 5 is a top plan view thereof;
 FIG. 6 is a bottom plan view thereof;
 FIG. 7 is a perspective view showing a front, top and right side thereof;
 FIG. 8 is a perspective view showing a rear, bottom and left side thereof;
 FIG. 9 is a perspective view showing a front, right side and bottom thereof; and,
 FIG. 10 is a perspective view showing a rear, left side and top thereof.
 The broken lines shown represent unclaimed subject matter only and form no part of the claim. Where the dot-dash broken lines abut the shaded surface it is understood that those broken lines represent an unclaimed boundary between claimed and unclaimed surfaces. None of the broken lines form any part of the claimed design.

1 Claim, 10 Drawing Sheets



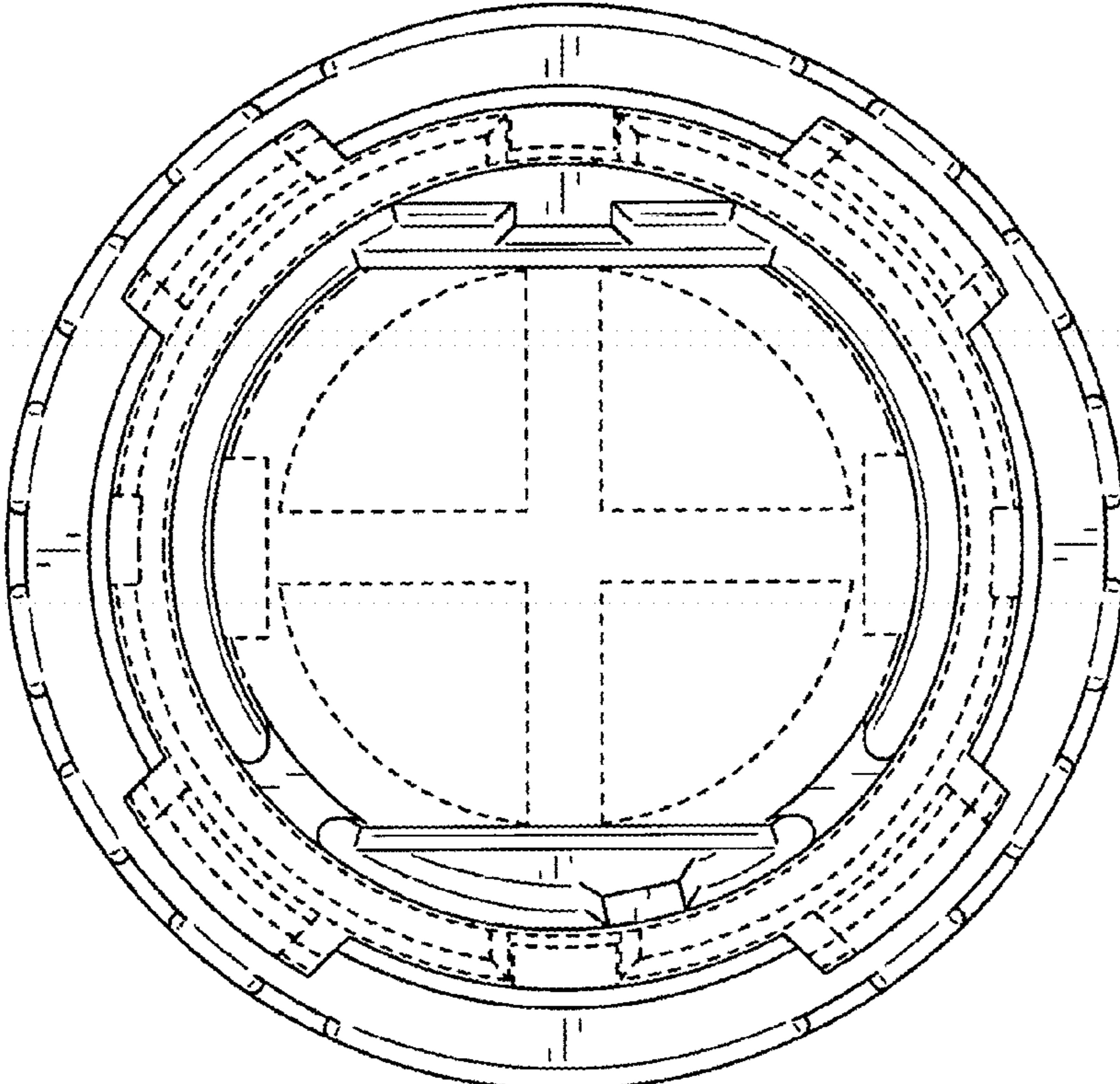


FIG. 1

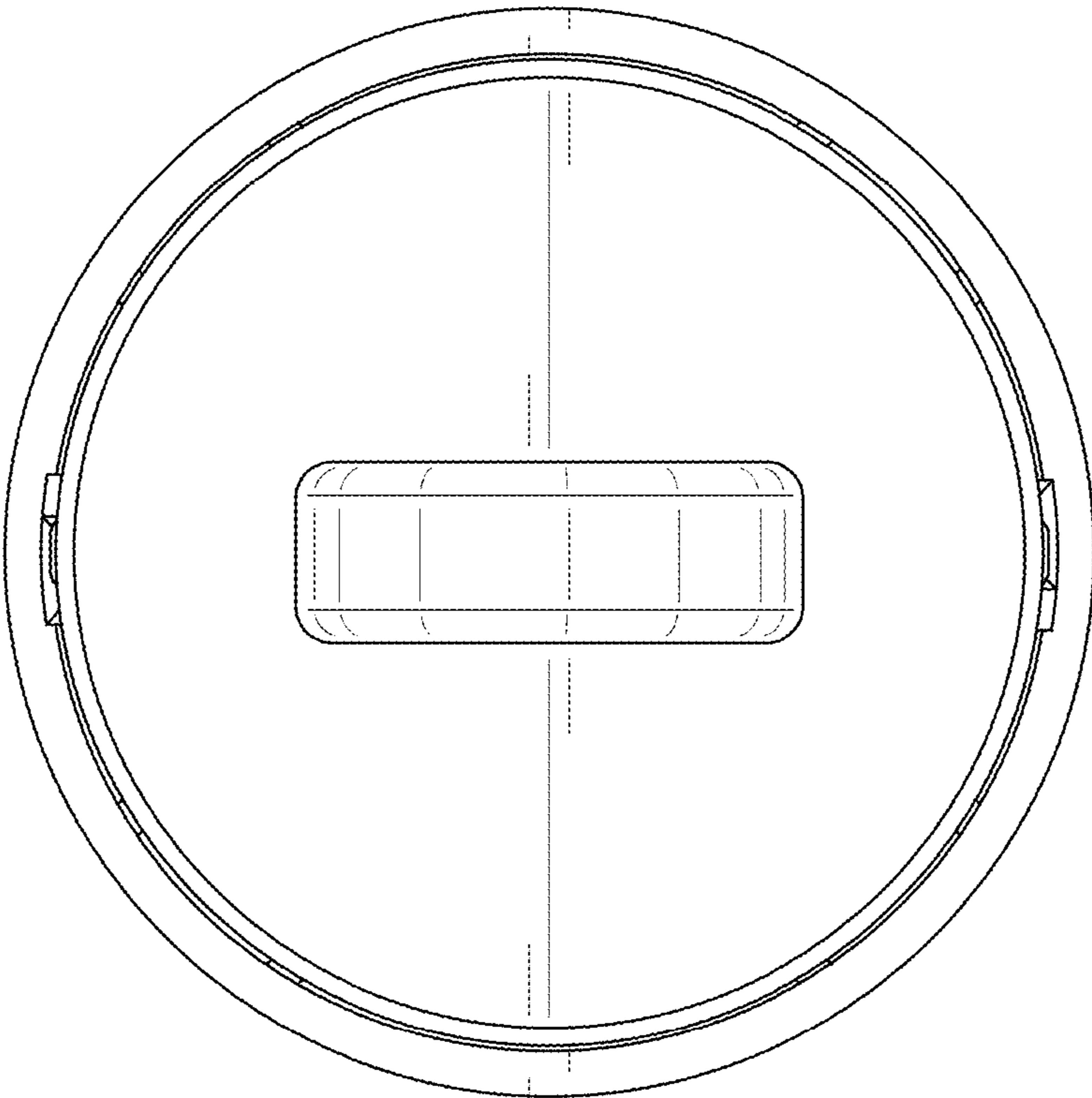


FIG. 2

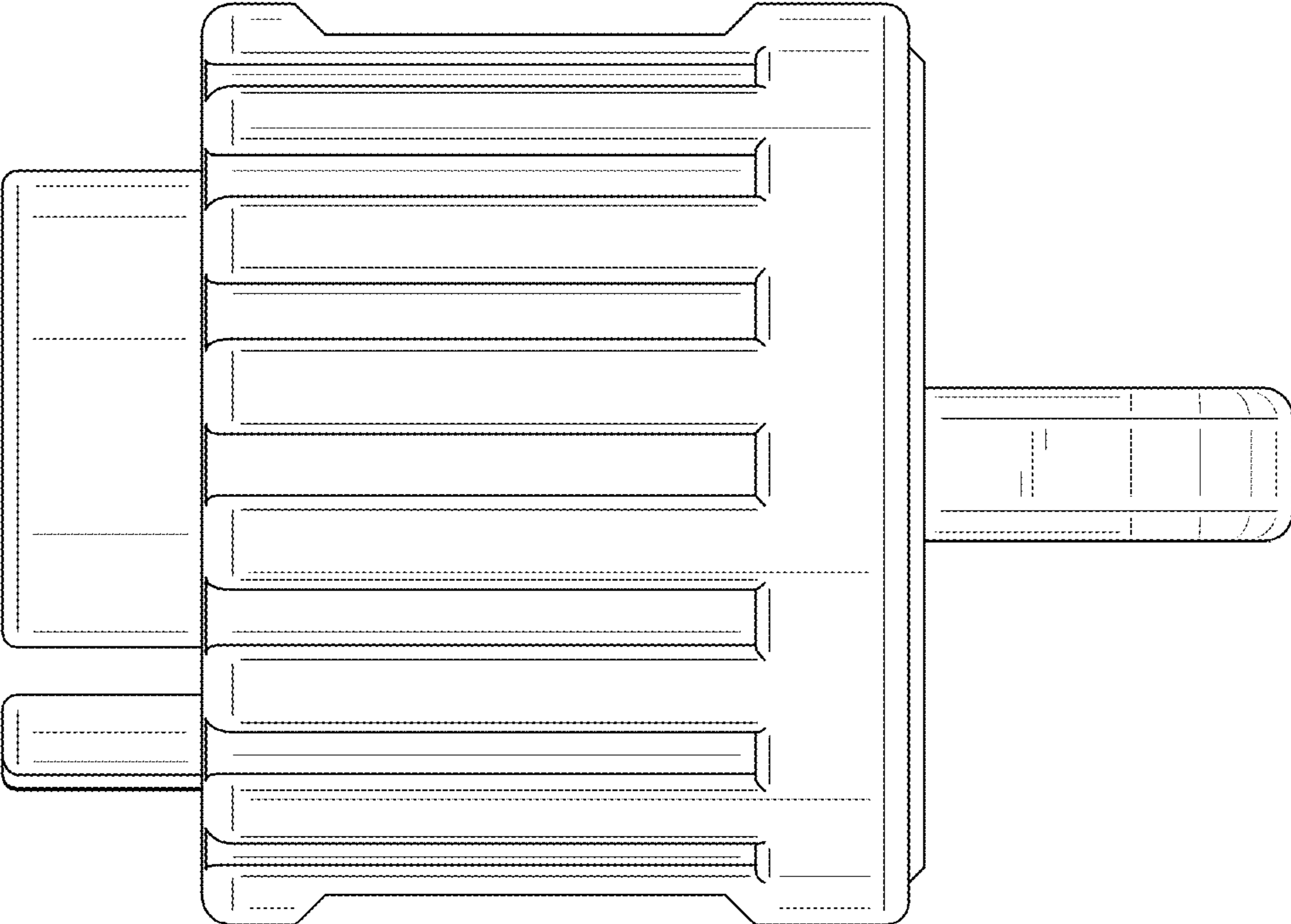


FIG. 3

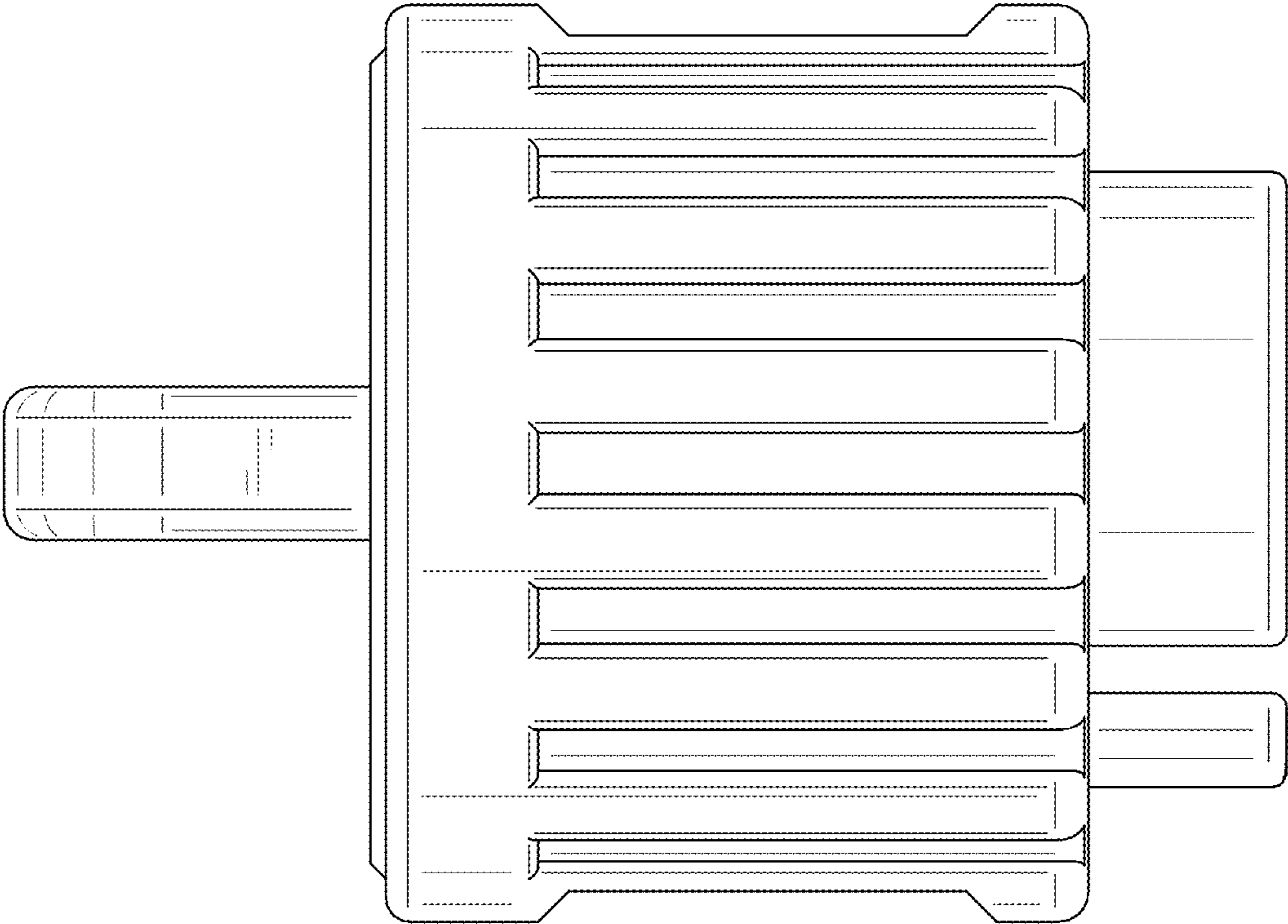


FIG. 4

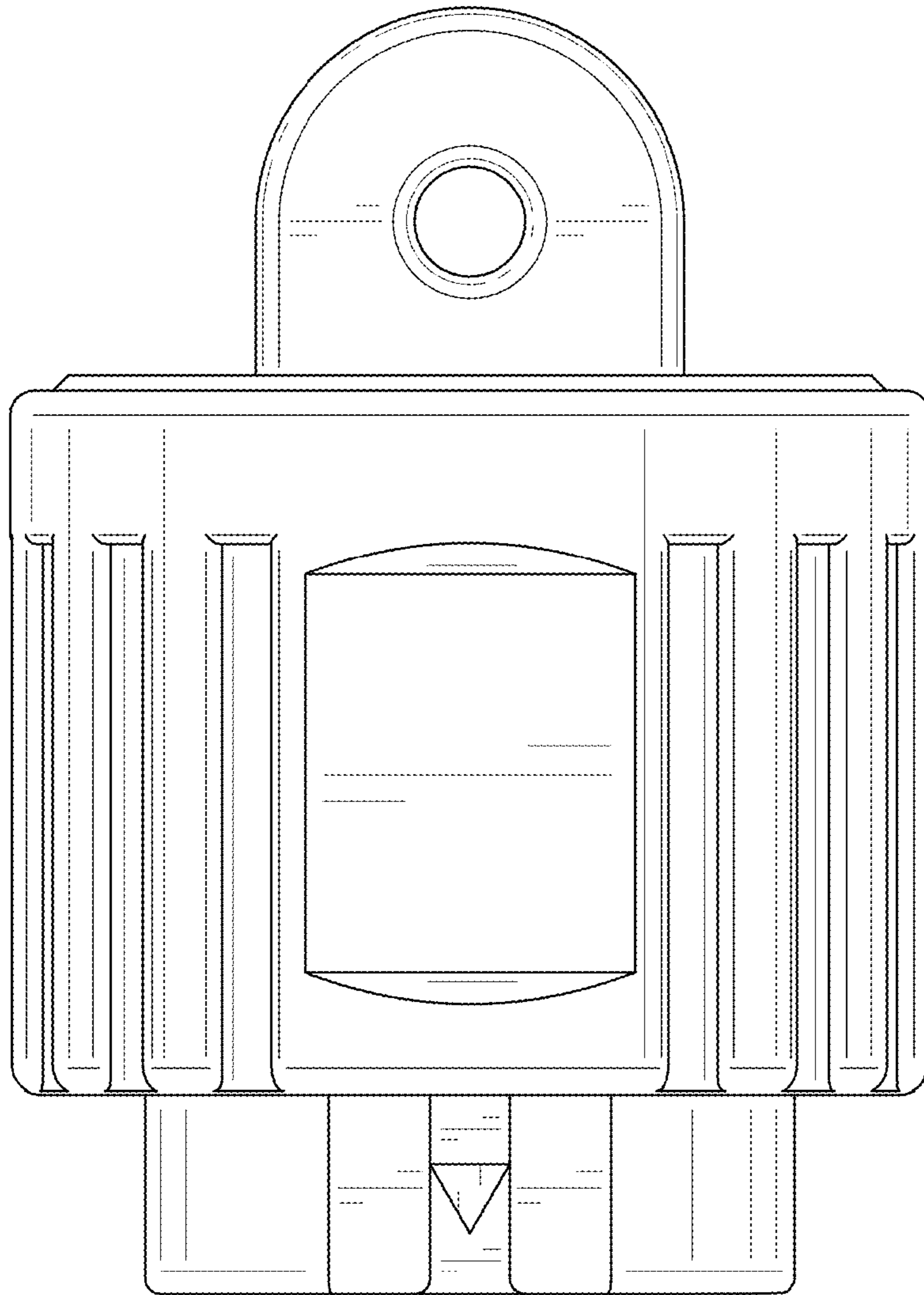


FIG. 5

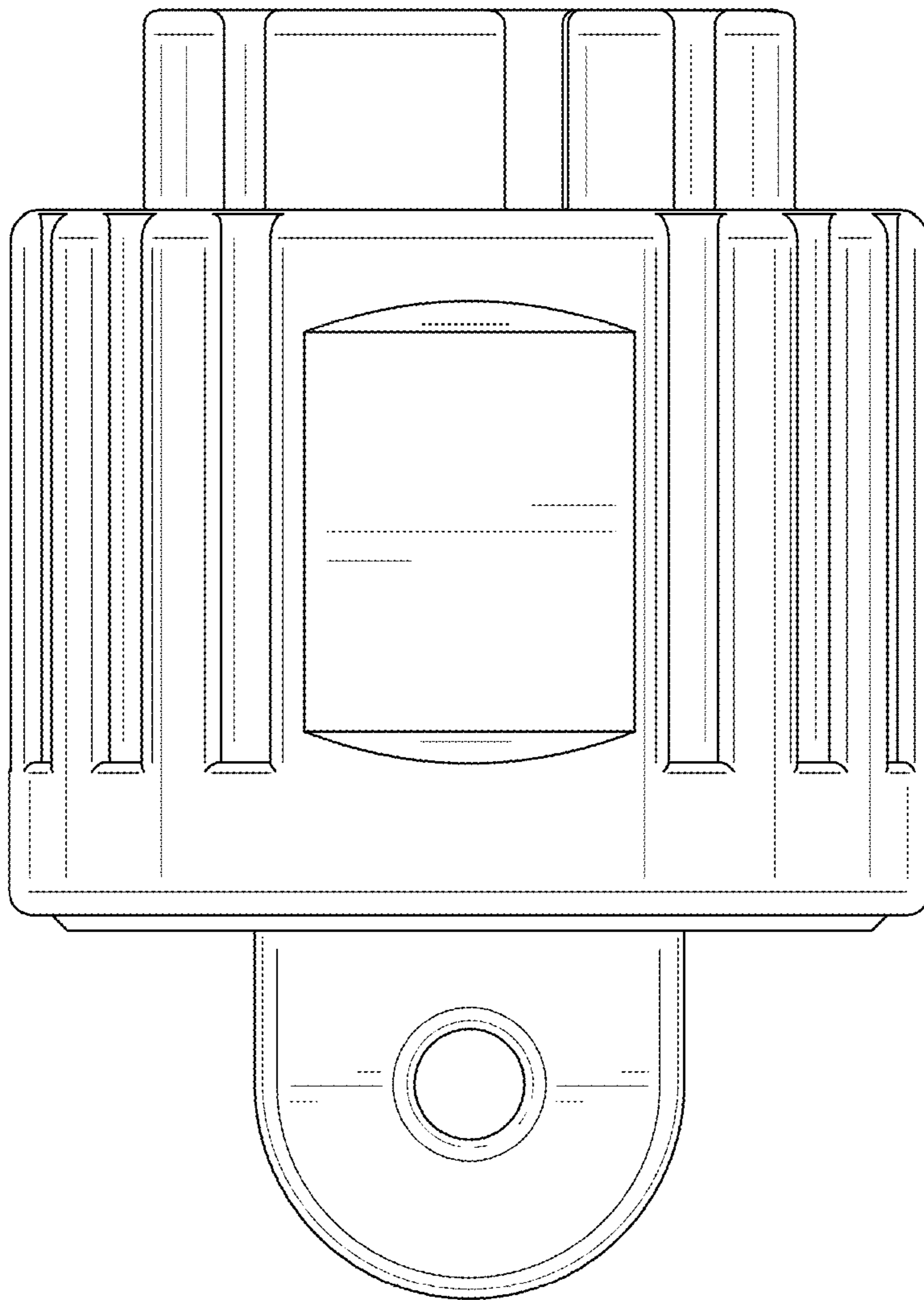


FIG. 6

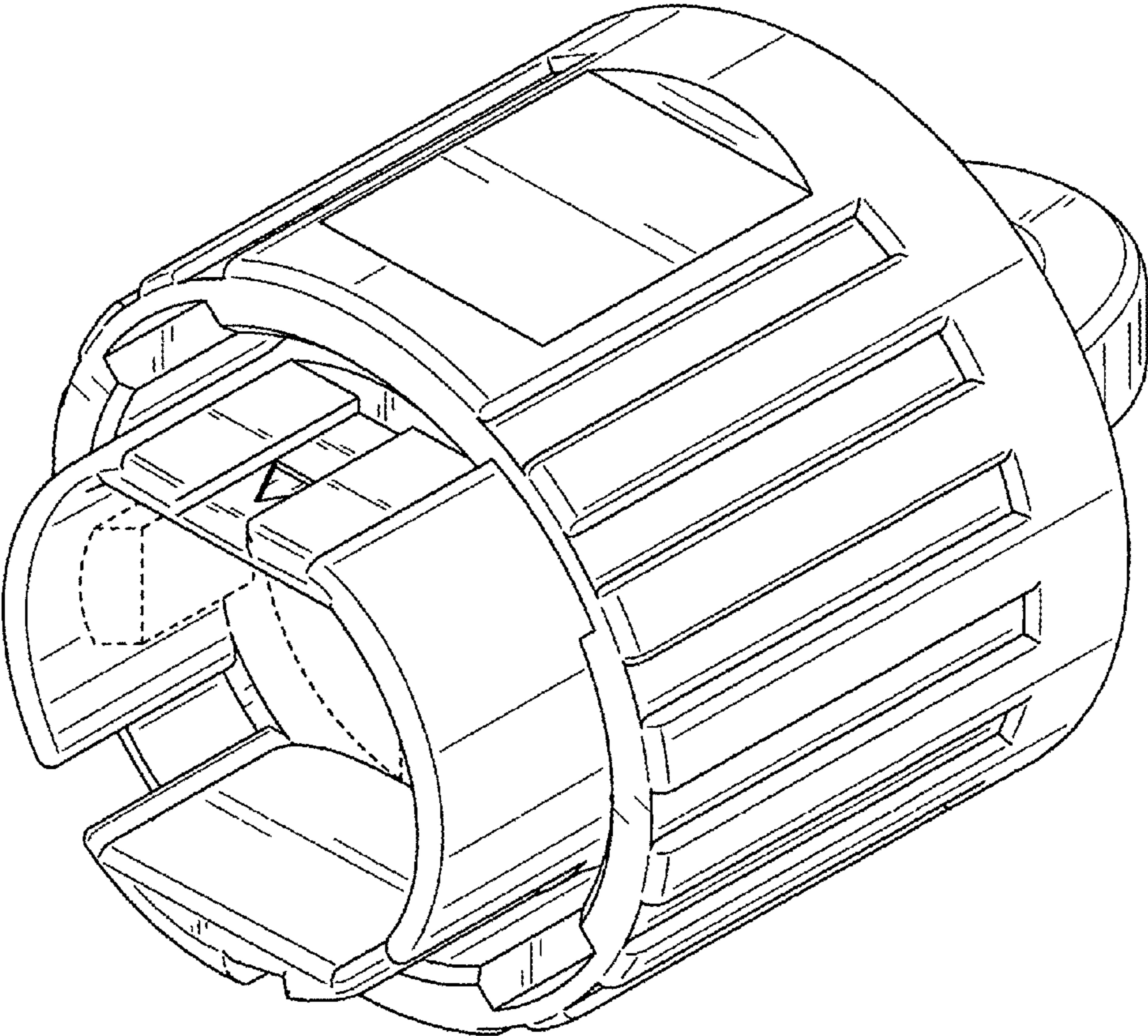


FIG. 7

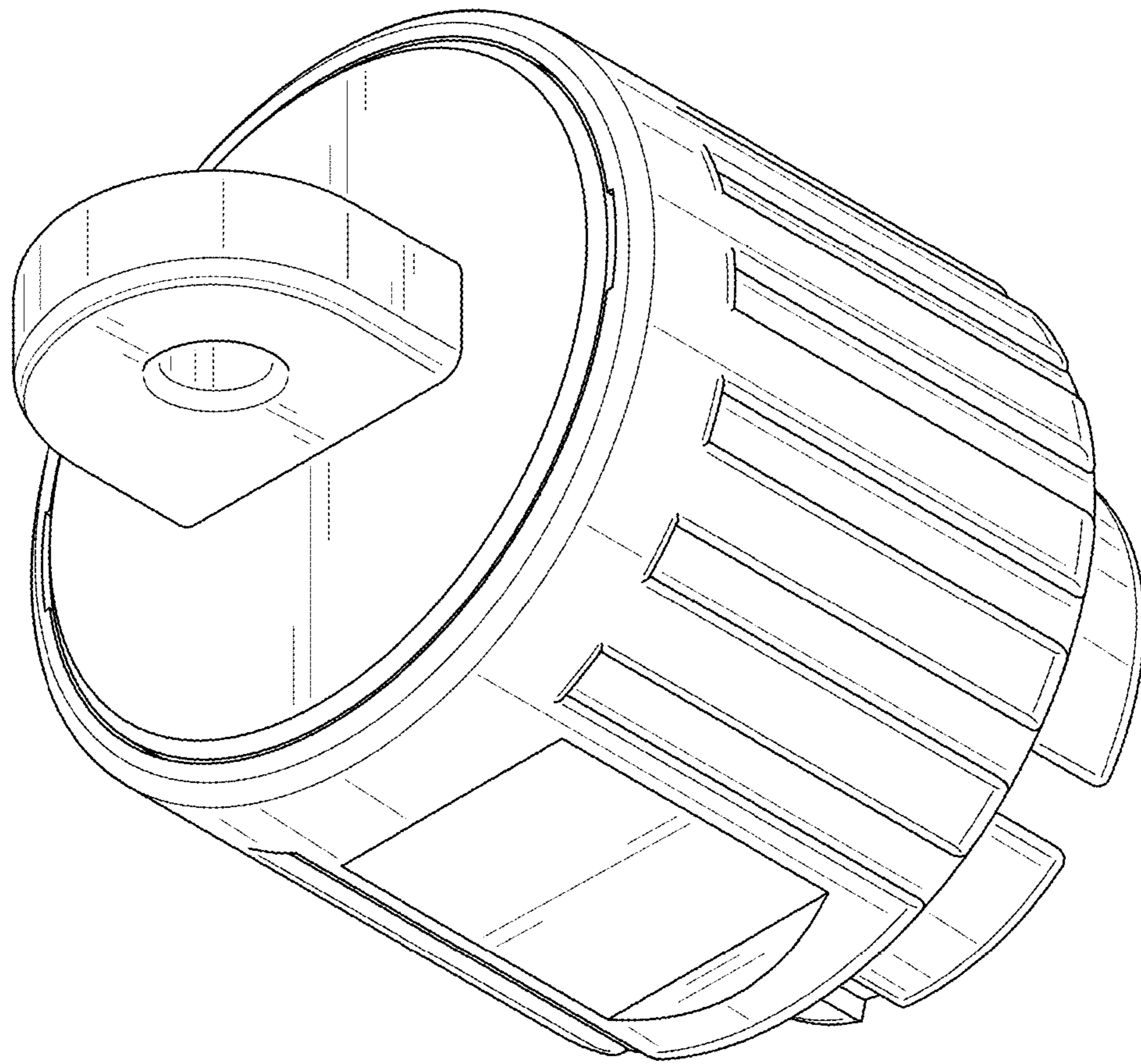


FIG. 8

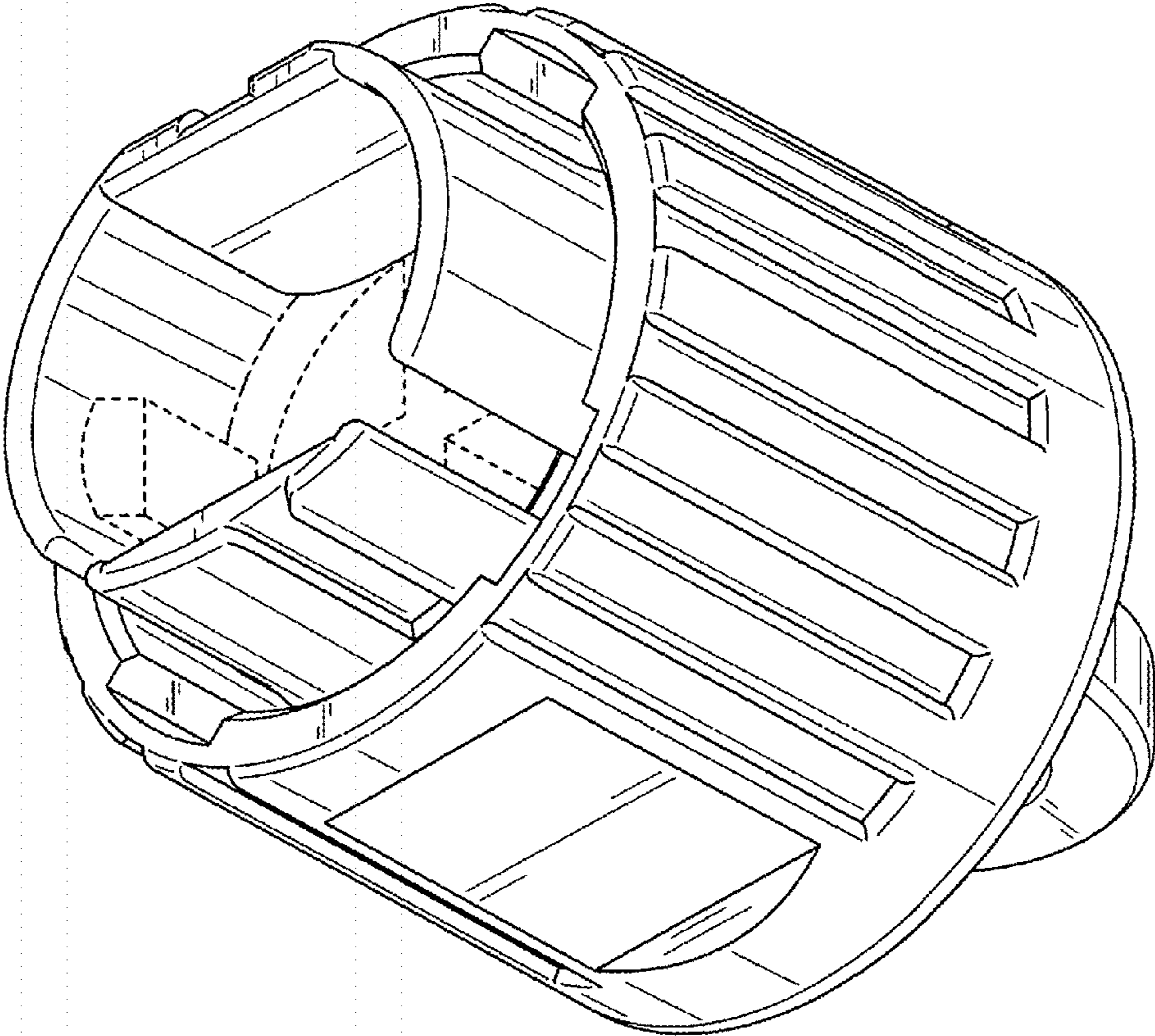


FIG. 9

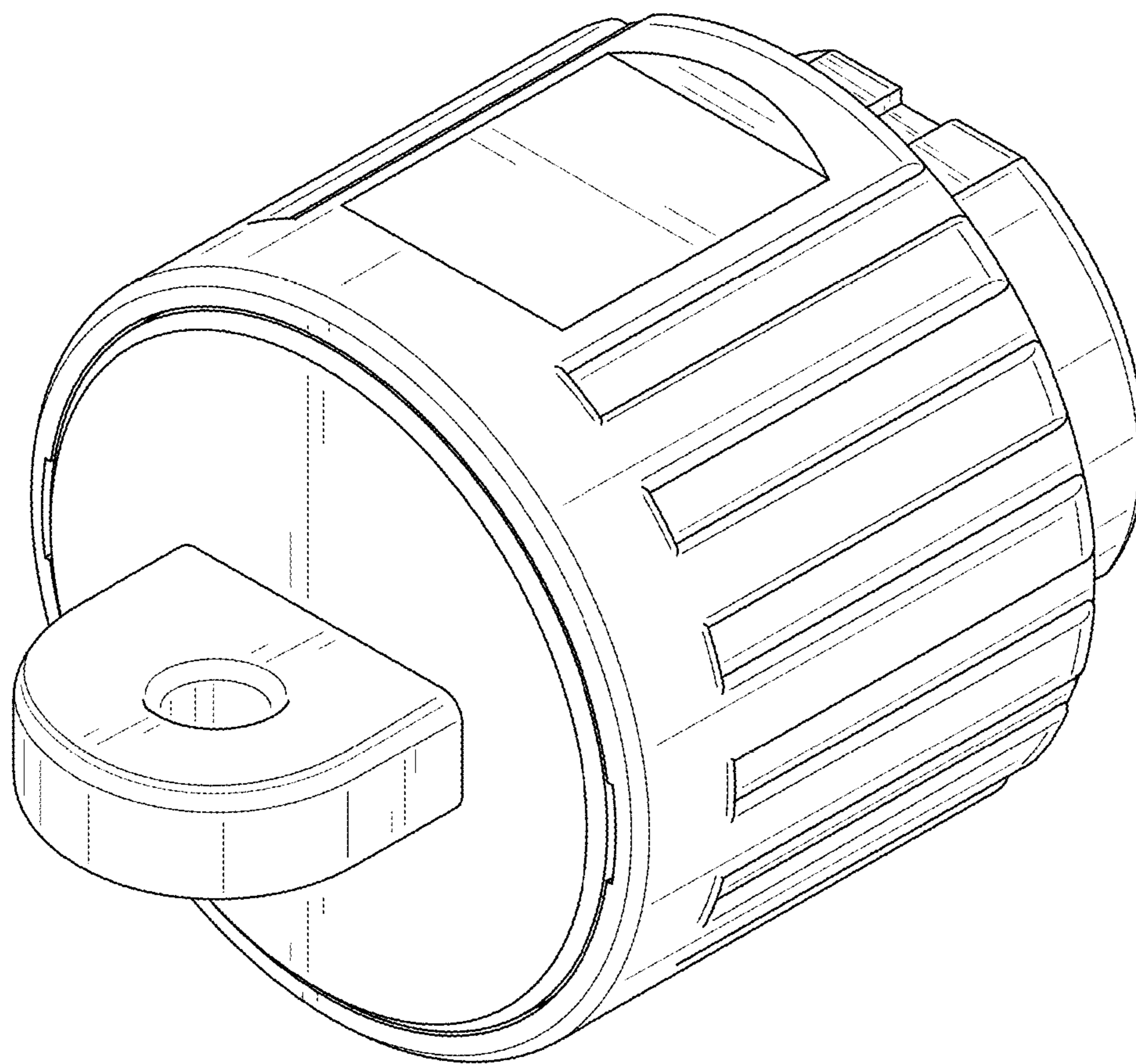


FIG. 10