



US00D771571S

(12) **United States Design Patent** (10) **Patent No.:** **US D771,571 S**
Miyamoto (45) **Date of Patent:** **** Nov. 15, 2016**

(54) **ELECTRICAL CONTACT**

(71) Applicant: **EBARA CORPORATION**, Tokyo (JP)

(72) Inventor: **Matsutaro Miyamoto**, Tokyo (JP)

(73) Assignee: **EBARA CORPORATION**, Tokyo (JP)

(**) Term: **15 Years**

(21) Appl. No.: **29/533,483**

(22) Filed: **Jul. 17, 2015**

(30) **Foreign Application Priority Data**

Jan. 22, 2015 (JP) 2015-001097

(51) **LOC (10) Cl.** **13-03**

(52) **U.S. Cl.**
USPC **D13/154**

(58) **Field of Classification Search**
USPC D13/110, 133, 146, 147, 154, 184, 199
CPC H01R 12/55; H01R 12/58; H01R 12/592;
H01R 12/65; H01R 12/675; H01R 12/77;
H01R 12/777

See application file for complete search history.

(56) **References Cited**

U.S. PATENT DOCUMENTS

D428,598 S *	7/2000	Carter-Williams	D13/154
D726,661 S *	4/2015	Sakae	D13/154
D758,973 S *	6/2016	Fujikata	D13/154
D760,655 S *	7/2016	Murphy	D13/147

* cited by examiner

Primary Examiner — Daniel Bui

(74) *Attorney, Agent, or Firm* — Pearne & Gordon LLP

(57) **CLAIM**

The ornamental design for an electrical contact, as shown and described.

DESCRIPTION

FIG. 1 is a perspective view of an electrical contact showing my new design;
FIG. 2 is a top plan view thereof;
FIG. 3 is a rear view thereof;
FIG. 4 is a front view thereof; and,
FIG. 5 is a right side view thereof, a left side view being a mirror image.

1 Claim, 2 Drawing Sheets

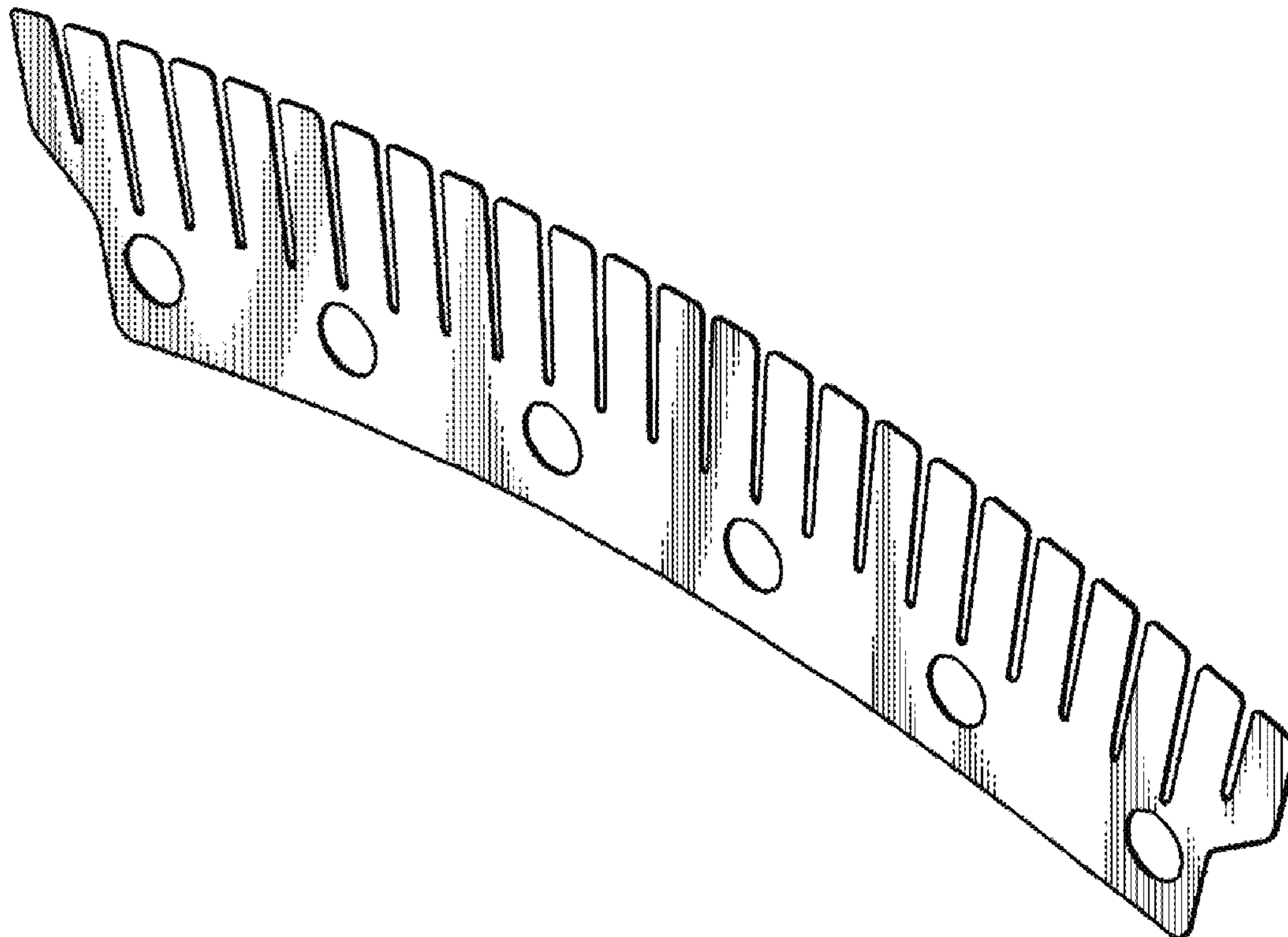


FIG. 1

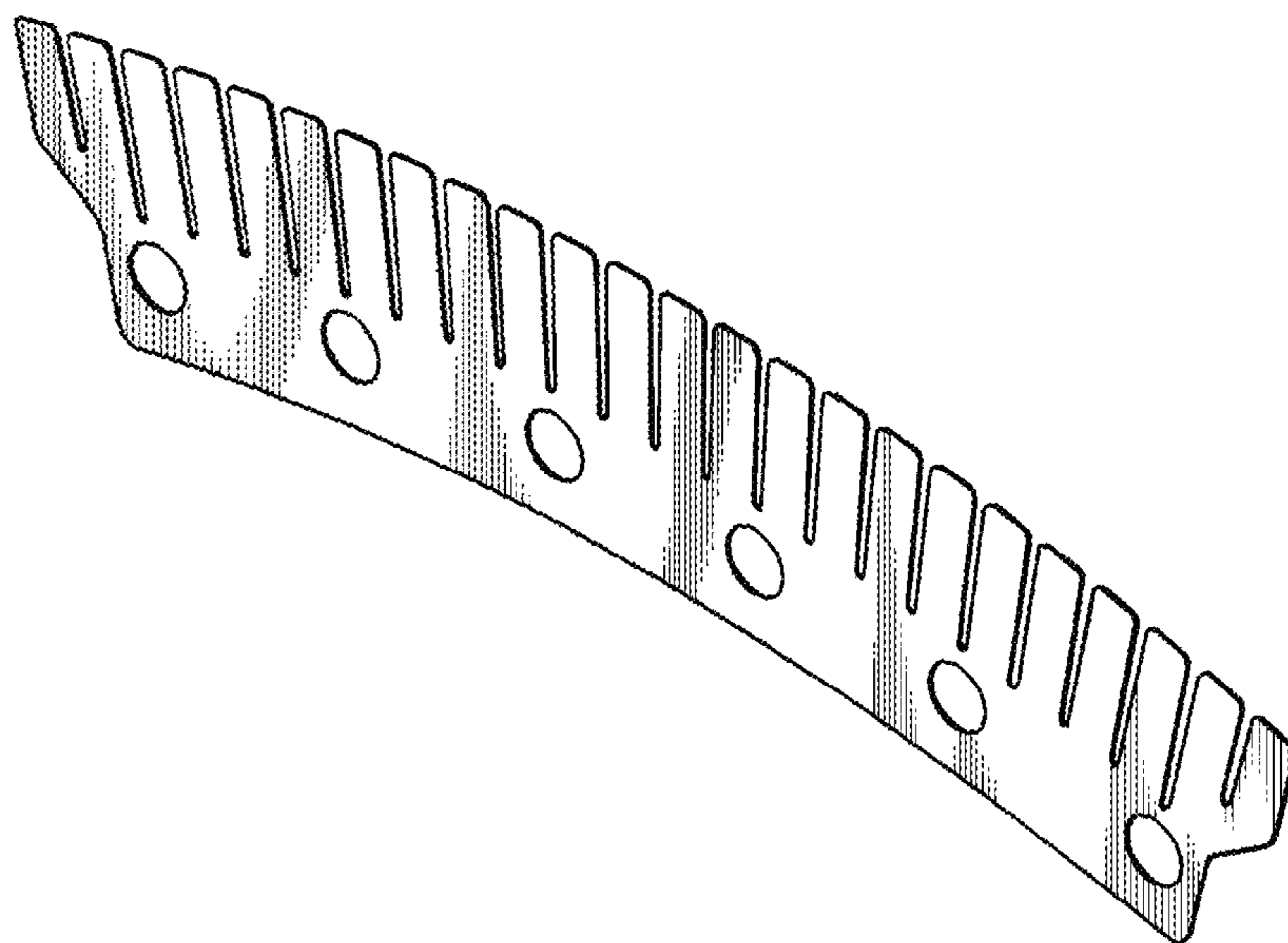


FIG. 2

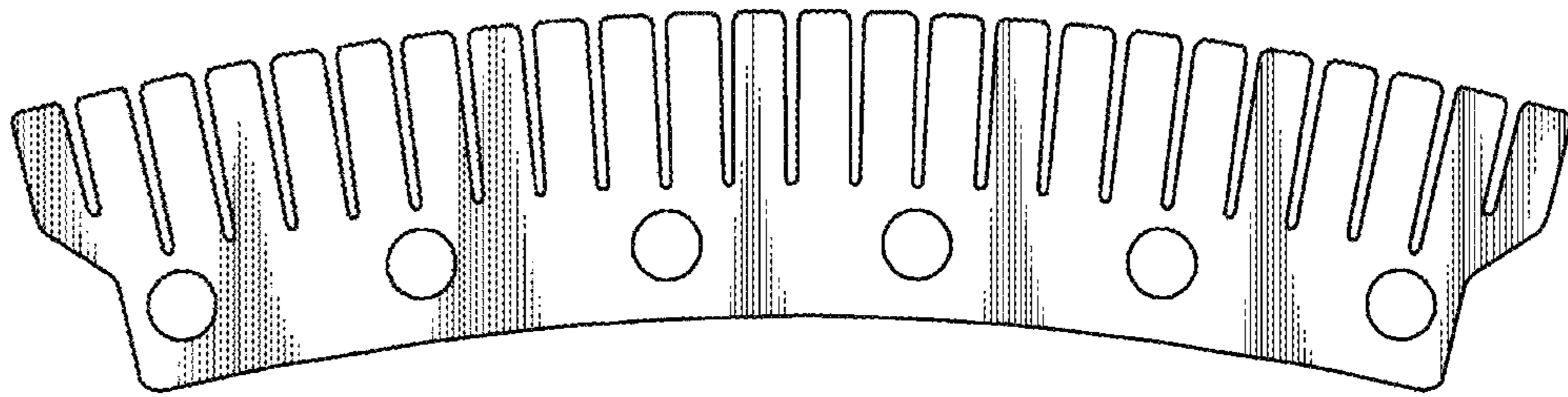


FIG. 3



FIG. 4



FIG. 5

