



US00D771569S

(12) **United States Design Patent** (10) **Patent No.:** **US D771,569 S**  
**Smith** (45) **Date of Patent:** **\*\* Nov. 15, 2016**

(54) **ELECTRICAL CONNECTOR WITH CABLE ARMOR STOP**

(71) Applicant: **Bridgeport Fittings, Inc.**, Stratford, CT (US)

(72) Inventor: **Lawrence J. Smith**, Stamford, CT (US)

(73) Assignee: **BRIDGEPORT FITTINGS, INC.**, Stratford, CT (US)

(\*\*) Term: **15 Years**

(21) Appl. No.: **29/554,623**

(22) Filed: **Feb. 12, 2016**

(51) **LOC (10) Cl.** ..... **13-03**

(52) **U.S. Cl.**  
USPC ..... **D13/151**

(58) **Field of Classification Search**  
USPC ..... D13/101, 103, 110, 118, 123, 133-136,  
D13/146, 147, 149, 151-156, 173, 184, 199  
CPC ..... F16B 7/00; H01R 4/66; H01R 9/00;  
H01R 9/05; H01R 9/24; H01R 13/62; H01R  
13/79; H02G 3/00; H02G 3/02; H02G 3/06;  
H02G 3/18  
See application file for complete search history.

(56) **References Cited**

**U.S. PATENT DOCUMENTS**

1,816,668 A 7/1931 Church  
2,490,253 A 12/1949 Buchanan  
2,506,398 A 5/1950 Thomas, Jr.  
2,540,999 A \* 2/1951 Thomas, Jr. .... H02G 3/0683  
285/149.1  
2,600,371 A 6/1952 Bergan  
2,657,251 A 10/1953 Bergan  
D188,025 S \* 5/1960 Curtiss ..... D23/265  
3,006,981 A \* 10/1961 Weber ..... H02G 3/0683  
174/541  
D243,405 S \* 2/1977 Mooney ..... D13/149  
D339,793 S \* 9/1993 Nardi ..... D13/149  
5,315,684 A 5/1994 Szegda  
D360,188 S \* 7/1995 Kiely ..... D13/152

D404,362 S \* 1/1999 Auray ..... D13/152  
6,299,485 B1 10/2001 Marik  
6,354,851 B1 3/2002 Bachle  
6,848,834 B1 2/2005 Roehrs et al.  
6,849,803 B1 \* 2/2005 Gretz ..... H02G 3/0691  
16/2.1  
D543,947 S \* 6/2007 Phung ..... D13/151  
7,238,894 B1 7/2007 Gretz  
7,307,218 B2 12/2007 Van Den Berg et al.

(Continued)

**FOREIGN PATENT DOCUMENTS**

DE 202005021930 U1 8/2011

**OTHER PUBLICATIONS**

“Zinc Die Cast Saddle Grip Snap-Tite MC Cable Connector with Insulated Throat,” Graybar, graybar.com, accessed: Sep. 2015; <http://www.graybar.com/store/en/gb/zinc-die-cast-saddle-grip-snap-tite-mc-cable-connector-with-insulated-throat>; whole document.

(Continued)

*Primary Examiner* — Thomas Johannes  
*Assistant Examiner* — Shawn T Gingrich  
(74) *Attorney, Agent, or Firm* — Ware, Fressola, Maguire & Barber, LLP

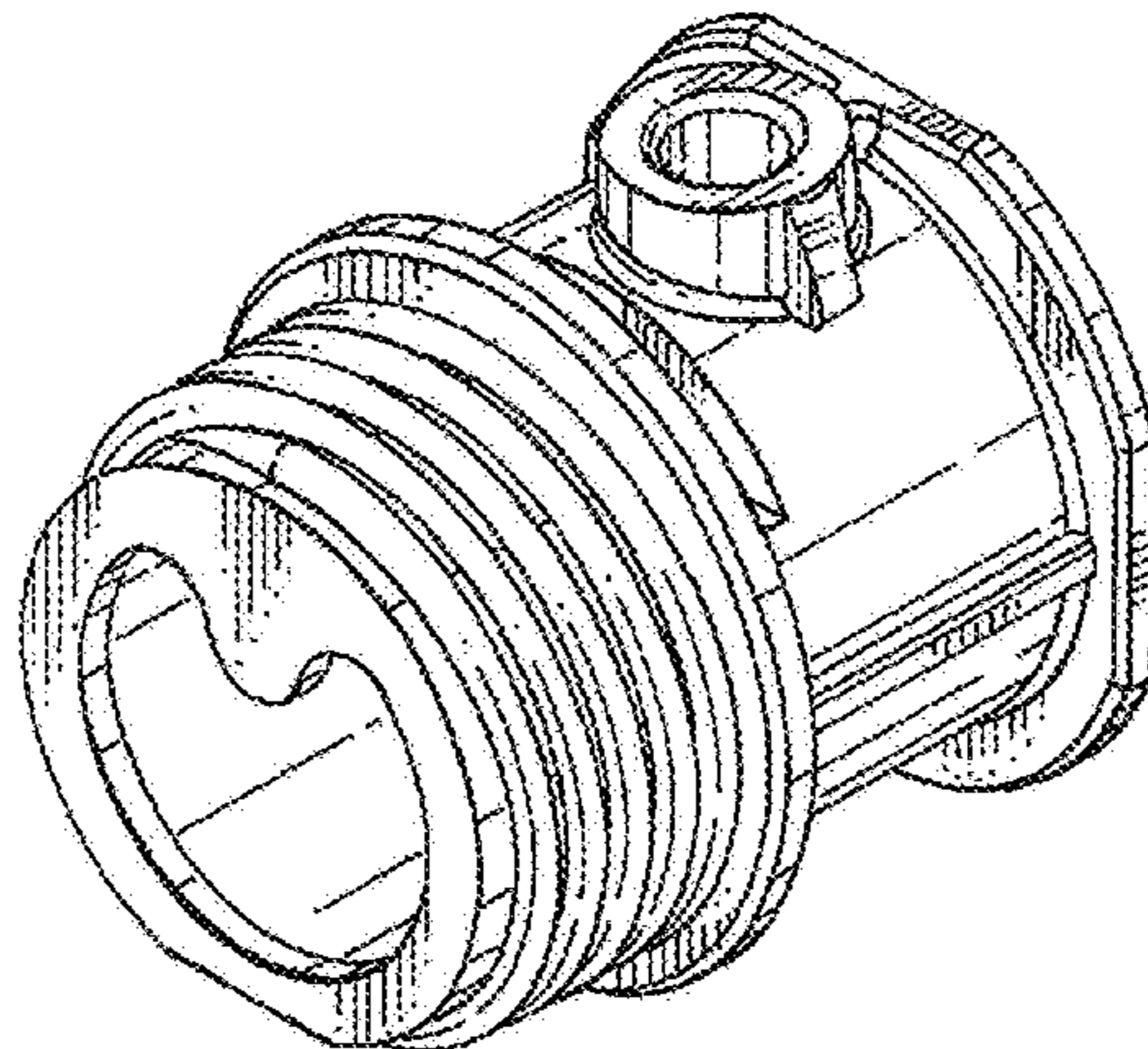
(57) **CLAIM**

The ornamental design for an electrical connector with cable armor stop, as shown and described.

**DESCRIPTION**

FIG. 1 is a front perspective view of an electrical connector with cable armor stop showing my new design.  
FIG. 2 is a right side view thereof.  
FIG. 3 is a left side view thereof.  
FIG. 4 is a front view thereof.  
FIG. 5 is a rear view thereof.  
FIG. 6 is a top view thereof; and,  
FIG. 7 is a bottom view thereof.

**1 Claim, 2 Drawing Sheets**



(56)

References Cited

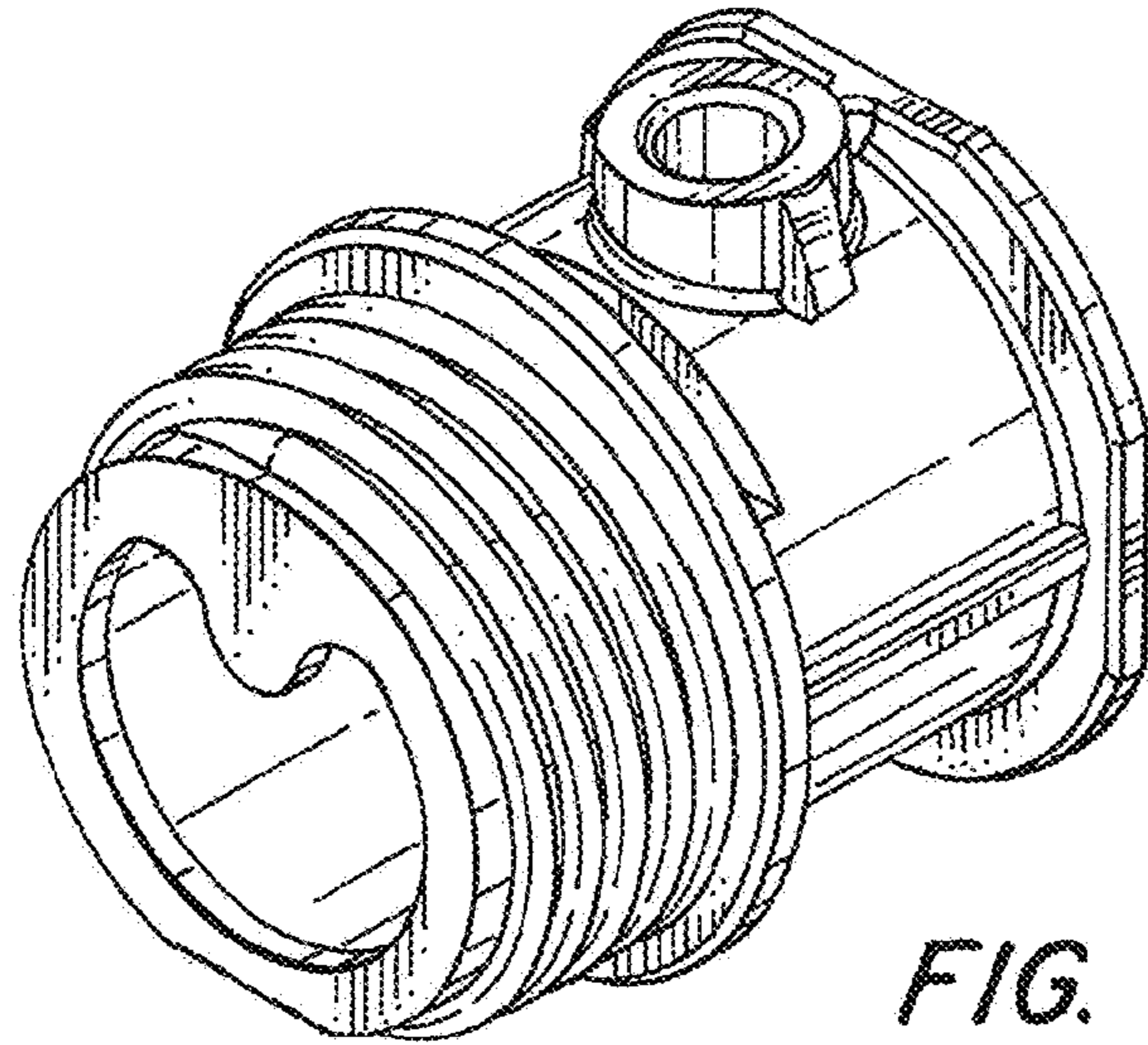
U.S. PATENT DOCUMENTS

7,485,806 B1 2/2009 Gretz  
7,723,623 B2 5/2010 Kiely et al.  
7,824,213 B1 11/2010 Korcz et al.  
D635,520 S \* 4/2011 Kiely ..... D13/133  
D648,279 S \* 11/2011 Kiely ..... D13/149  
D668,617 S \* 10/2012 Kiely ..... D13/149  
D668,618 S \* 10/2012 Smith ..... D13/149  
8,622,768 B2 1/2014 Van Swearingen et al.  
8,791,374 B1 7/2014 Smith  
9,373,919 B1 \* 6/2016 Smith ..... H01R 13/73  
2003/0040214 A1 \* 2/2003 Kiely ..... H01R 9/2475  
439/491  
2011/0290550 A1 \* 12/2011 Kiely ..... H02G 3/0691  
174/480

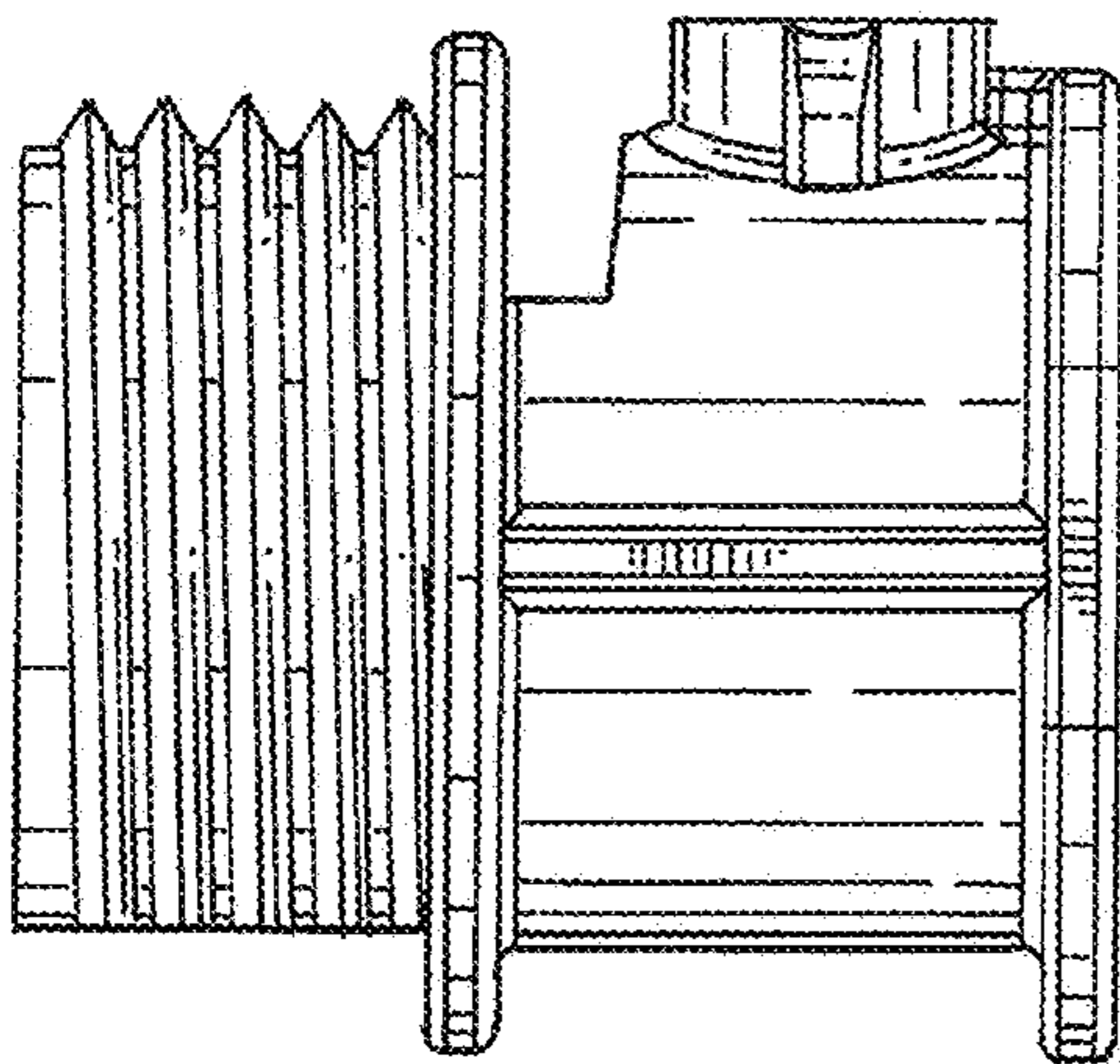
OTHER PUBLICATIONS

“Arlington Industries Snap2It Connectors with Insulated Throat,”  
CableOrganizer.com, Dec. 23, 2008; <https://web.archive.org/web/20081223042736/http://cableorganizer.com/arlington-industries/snap-2it-connectors.html>; whole document.  
“NEER C550,” McNaughton-McKay, mc-mc.com, accessed: Sep. 2015; [https://www.mc-mc.com/2497818/Product/Appleton\\_Group\\_C550](https://www.mc-mc.com/2497818/Product/Appleton_Group_C550); whole document.

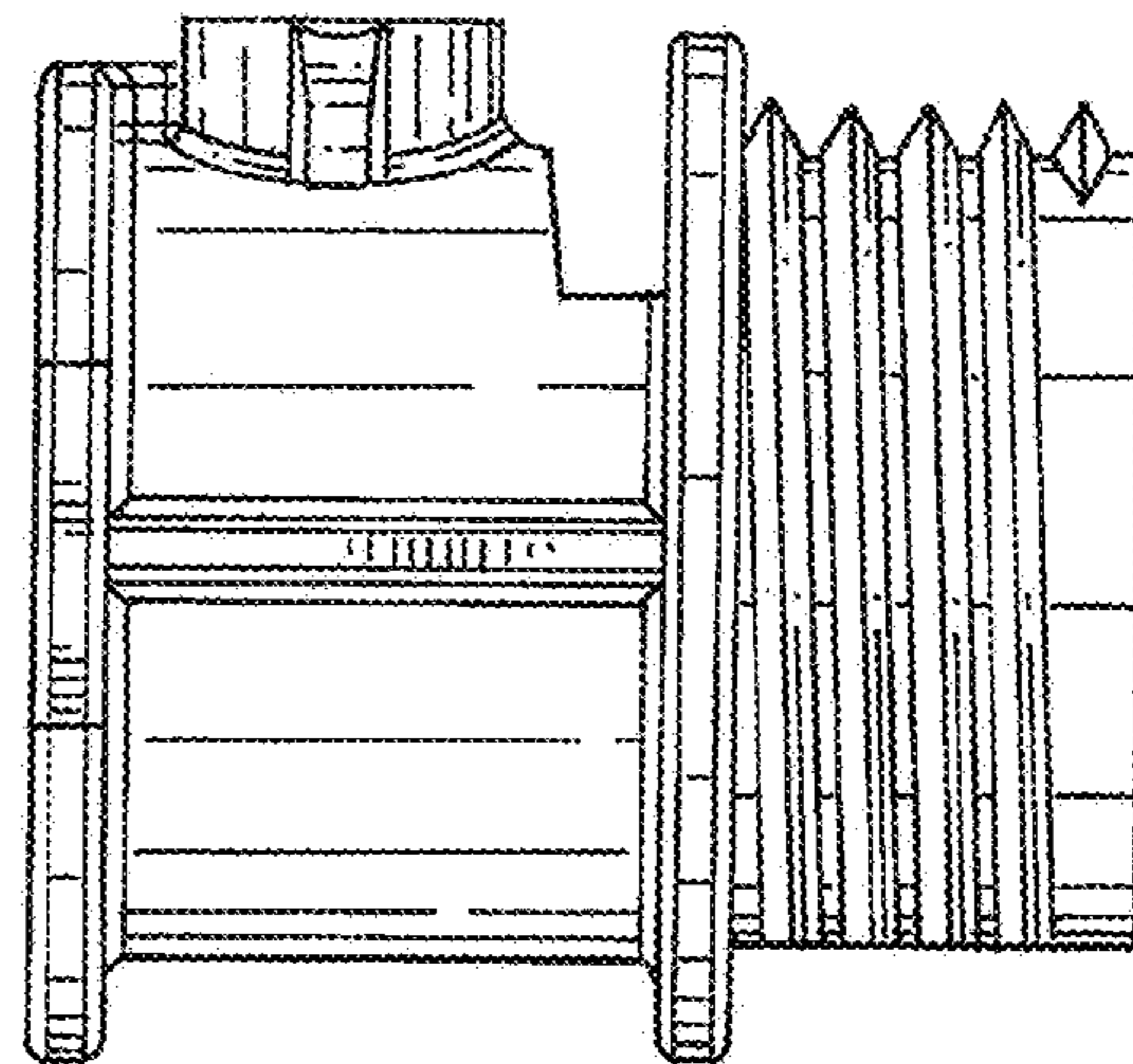
\* cited by examiner



*FIG. 1*



*FIG. 2*



*FIG. 3*

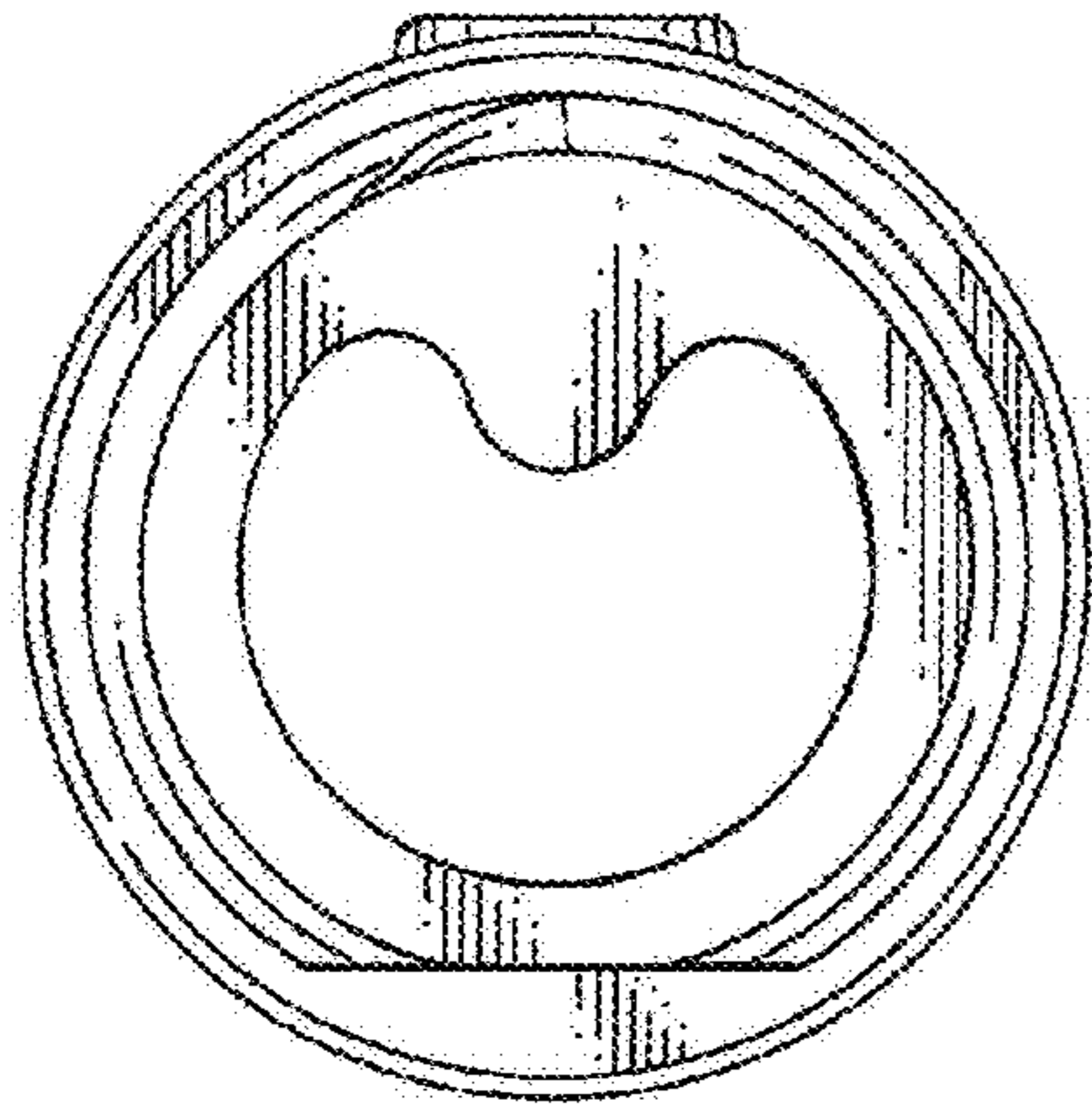


FIG. 4

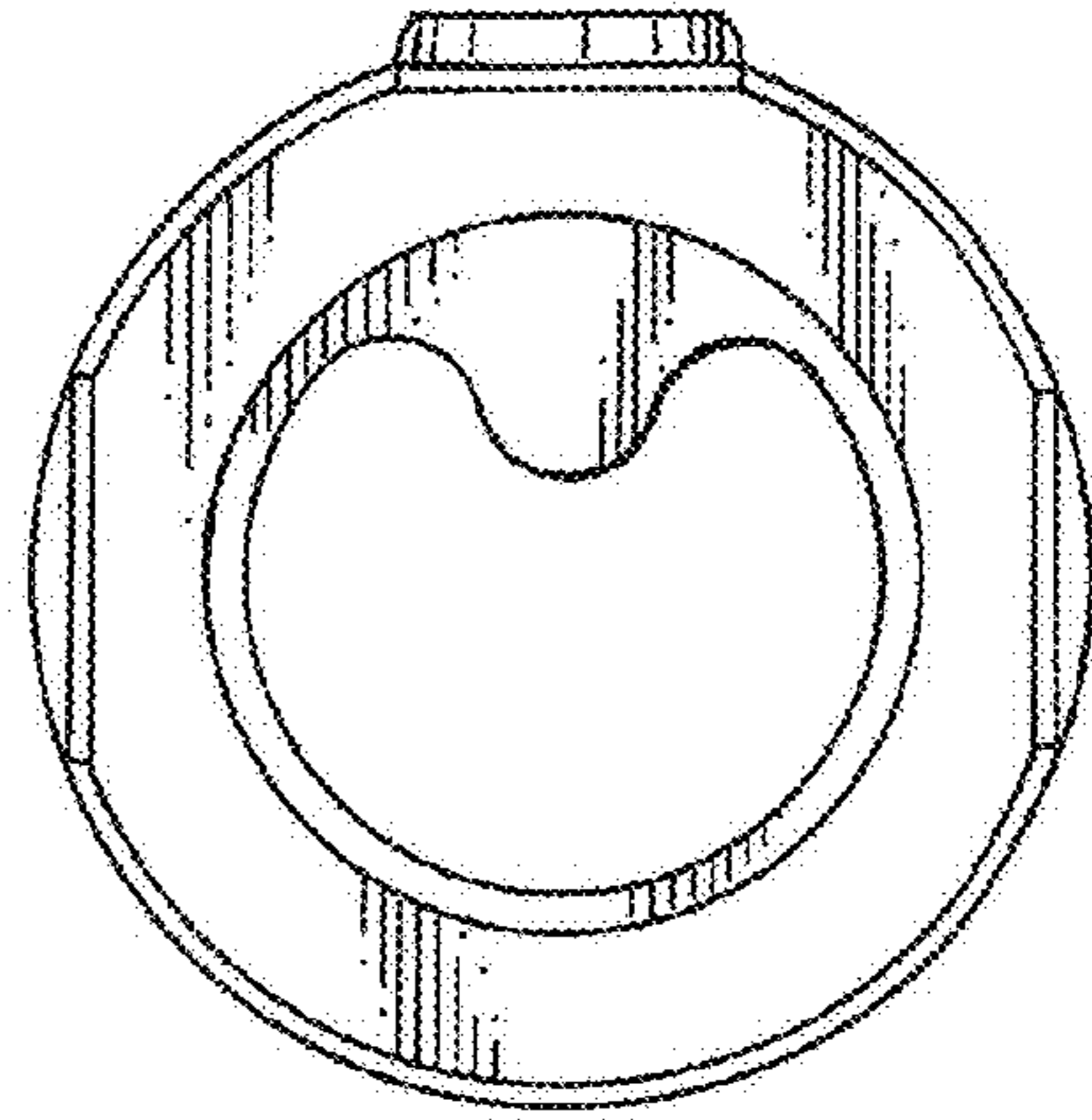


FIG. 5

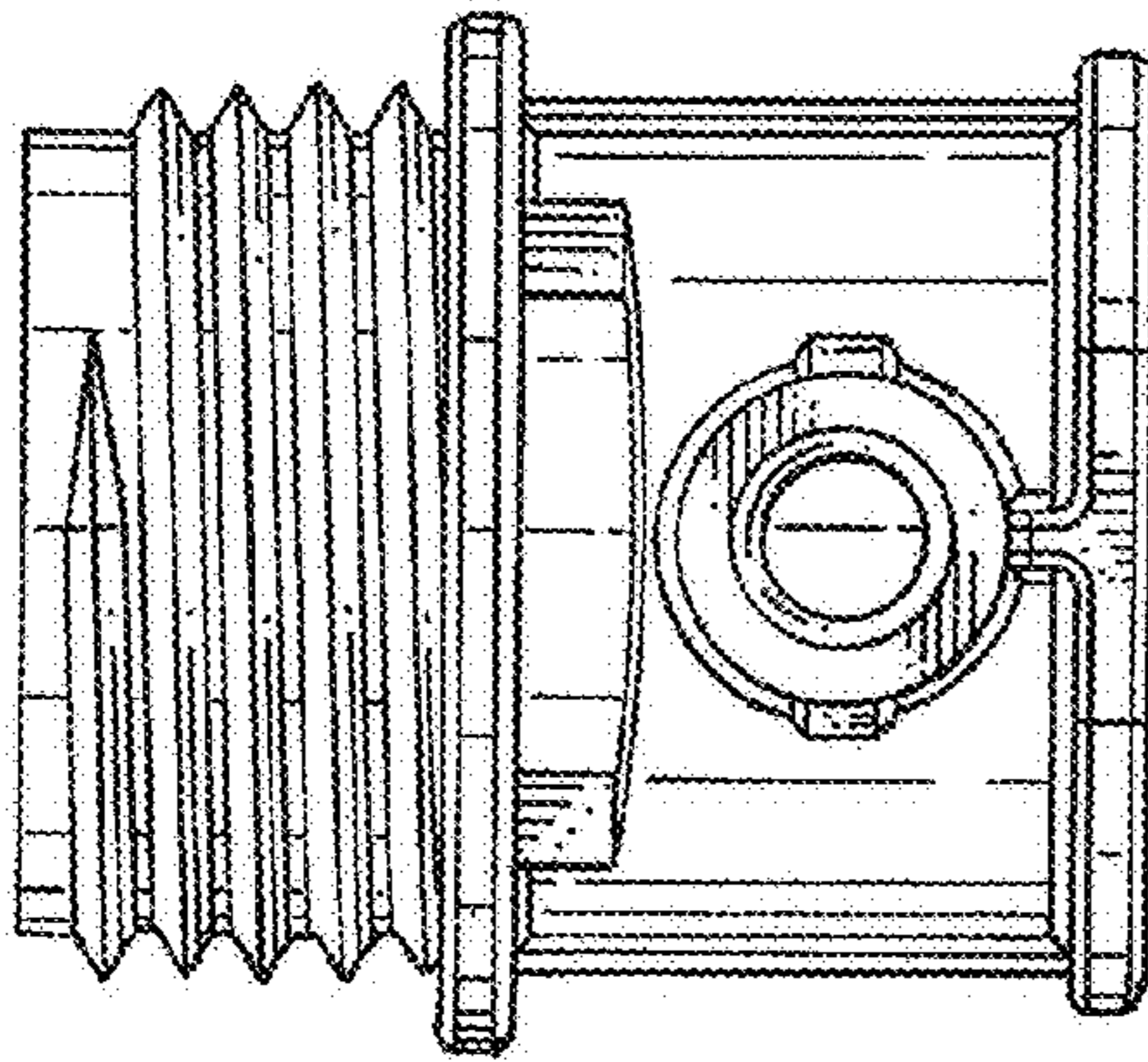


FIG. 6

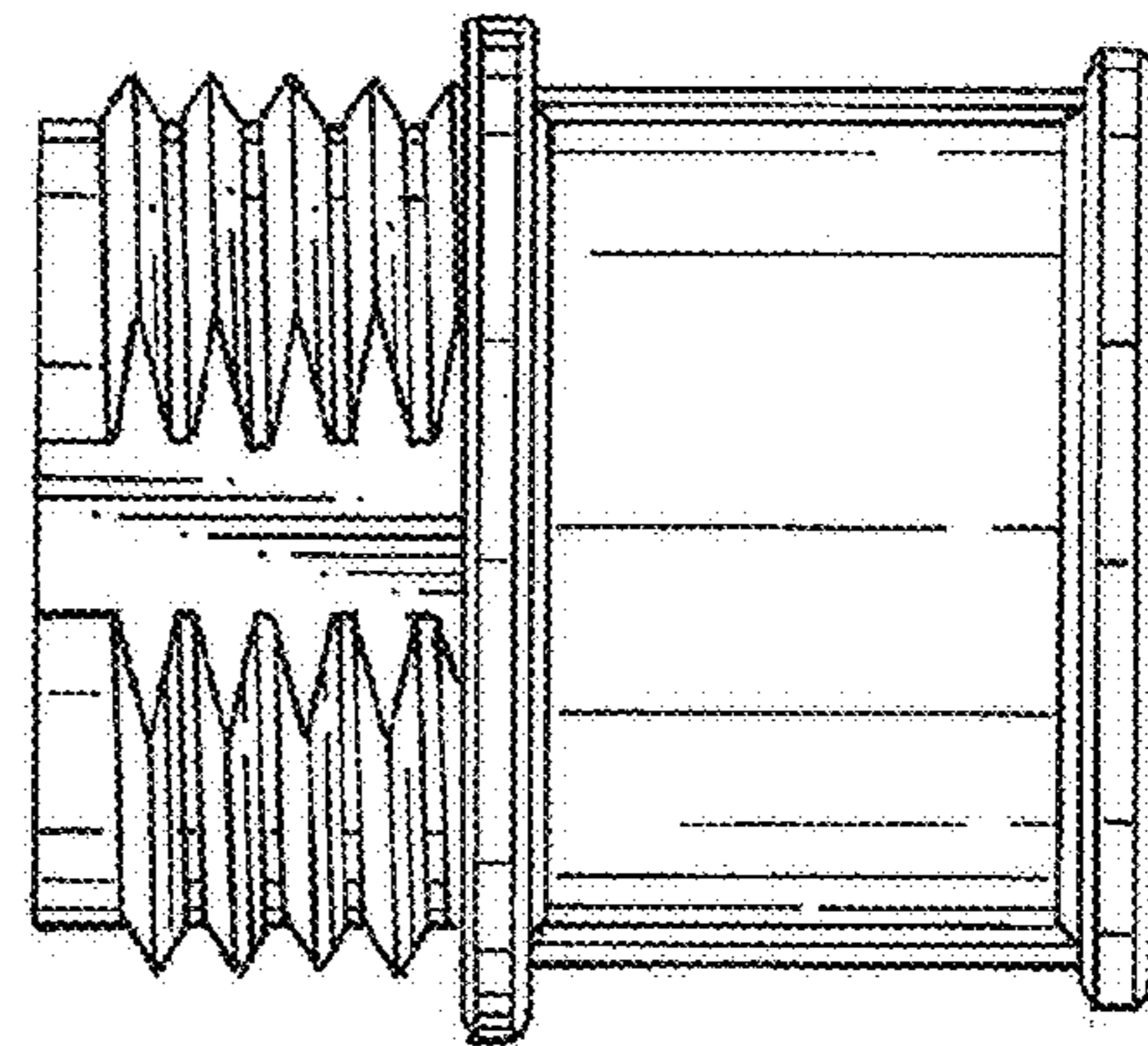


FIG. 7