



US00D771568S

(12) **United States Design Patent**
Romandy

(10) **Patent No.:** **US D771,568 S**

(45) **Date of Patent:** **** Nov. 15, 2016**

(54) **JACK RECEIVER WITH COVER**

(71) Applicant: **Hamilton Beach Brands, Inc.**, Glen Allen, VA (US)

(72) Inventor: **Mark K Romandy**, Midlothian, VA (US)

(73) Assignee: **Hamilton Beach Brands, Inc.**, Glen Allen, VA (US)

(**) Term: **14 Years**

(21) Appl. No.: **29/519,649**

(22) Filed: **Mar. 6, 2015**

(51) **LOC (10) Cl.** **13-03**

(52) **U.S. Cl.**
USPC **D13/133**

(58) **Field of Classification Search**
USPC D7/213, 328, 350.1, 350.3, 387, 402,
D7/403, 405; D10/57, 60; D13/110, 118,
D13/123, 133, 154, 173, 184, 199
CPC A47J 37/00; A47J 37/06; A47J 37/08;
A45C 3/00; F24C 15/00; F24C 7/082;
H05B 6/68; H05B 1/02; H05B 3/06
See application file for complete search history.

(56) **References Cited**

U.S. PATENT DOCUMENTS

4,140,048	A	2/1979	Grove et al.	
4,345,145	A	8/1982	Norwood	
4,849,595	A	7/1989	Fowler	
4,851,644	A	7/1989	Oslin	
5,694,831	A	12/1997	Haroun et al.	
6,097,016	A	8/2000	Hirata et al.	
6,111,240	A	8/2000	Kishimoto et al.	
D460,041	S *	7/2002	Tsay	D13/107
D464,329	S *	10/2002	Mainiero	D13/169
6,486,453	B1	11/2002	Bales et al.	
6,621,053	B1	9/2003	Wen Sink et al.	
D494,157	S *	8/2004	Wikel	D14/240

D494,575	S *	8/2004	Wikel	D14/240
6,933,477	B2	8/2005	Becker et al.	
D533,184	S *	12/2006	Kim	D14/203.5
7,171,727	B2	2/2007	Wylie et al.	
7,481,153	B2	1/2009	Barnes et al.	
D587,959	S	3/2009	Hensel	
7,619,186	B2	11/2009	Cavada et al.	

(Continued)

Primary Examiner — Thomas Johannes

Assistant Examiner — Shawn T Gingrich

(74) *Attorney, Agent, or Firm* — Alexander D. Raring

(57) **CLAIM**

The ornamental design for a jack receiver with cover, as shown and described.

DESCRIPTION

FIG. 1 is a perspective view as seen from the top, front and right side of a jack receiver showing the new design in a first position;

FIG. 2 is a front view thereof;

FIG. 3 is a left side view thereof;

FIG. 4 is a right side view thereof;

FIG. 5 is a top view thereof;

FIG. 6 is a bottom view thereof;

FIG. 7 is an additional perspective view thereof;

FIG. 8 is a perspective view as seen from the top, front and right side of the jack receiver showing the new design in a second position;

FIG. 9 is a front view thereof;

FIG. 10 is a left side view thereof;

FIG. 11 is a right side view thereof;

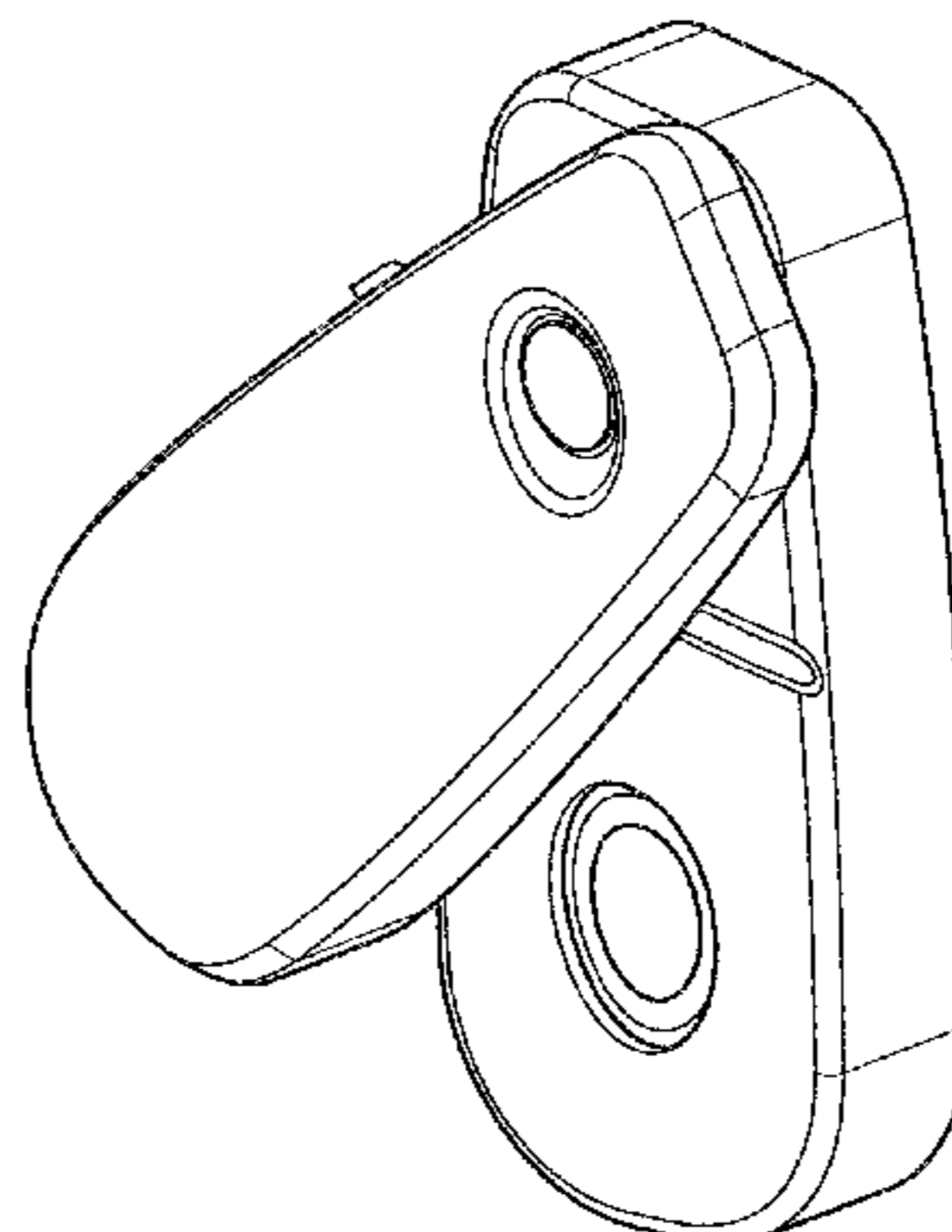
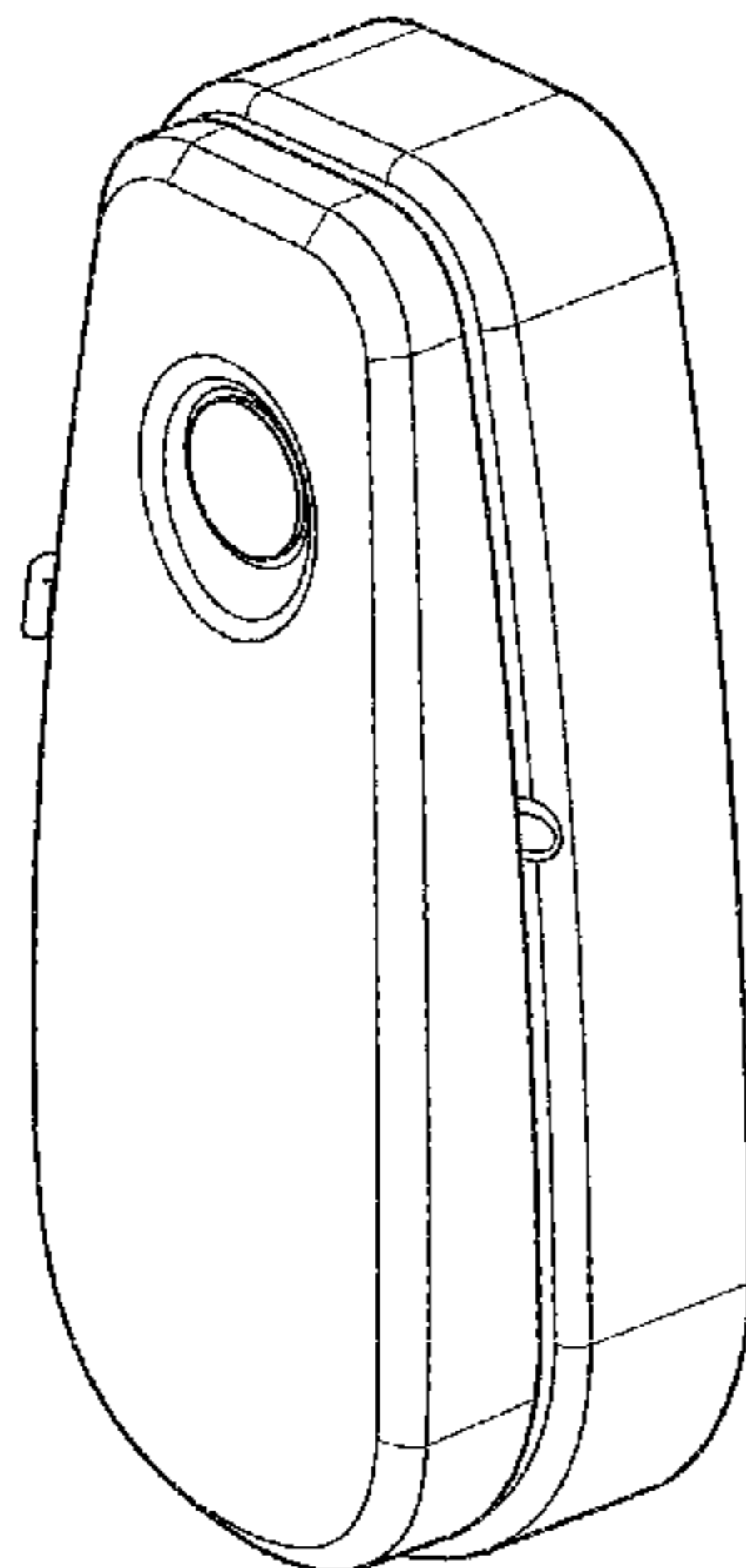
FIG. 12 is a top view thereof;

FIG. 13 is a bottom view thereof; and,

FIG. 14 is an additional perspective view thereof.

The broken lines are included to show portions of the article that form no part of the claimed design. The dash-dot lines of the FIGS. 7 and 14 are included to show environmental structure that forms no part of the claimed design.

1 Claim, 6 Drawing Sheets



(56)

References Cited

U.S. PATENT DOCUMENTS

D633,496 S *	3/2011	Busri	D14/358	D744,959 S *	12/2015	Farnum	D13/156
8,136,442 B2	3/2012	Strutin-Belinoff et al.		D745,467 S *	12/2015	Farnum	D13/156
D658,439 S	5/2012	Curtis et al.		D745,468 S *	12/2015	Farnum	D13/156
D662,759 S	7/2012	Blacken et al.		D745,469 S *	12/2015	Farnum	D13/156
D663,156 S	7/2012	Curtis et al.		2003/0116557 A1	6/2003	Graff	
D668,505 S	10/2012	Shrader et al.		2007/0045284 A1	3/2007	Balk et al.	
8,669,500 B2	3/2014	Hensel et al.		2012/0192851 A1	8/2012	Hensel et al.	
				2016/0073814 A1 *	3/2016	Kiriishi	A47J 27/004 99/348

* cited by examiner

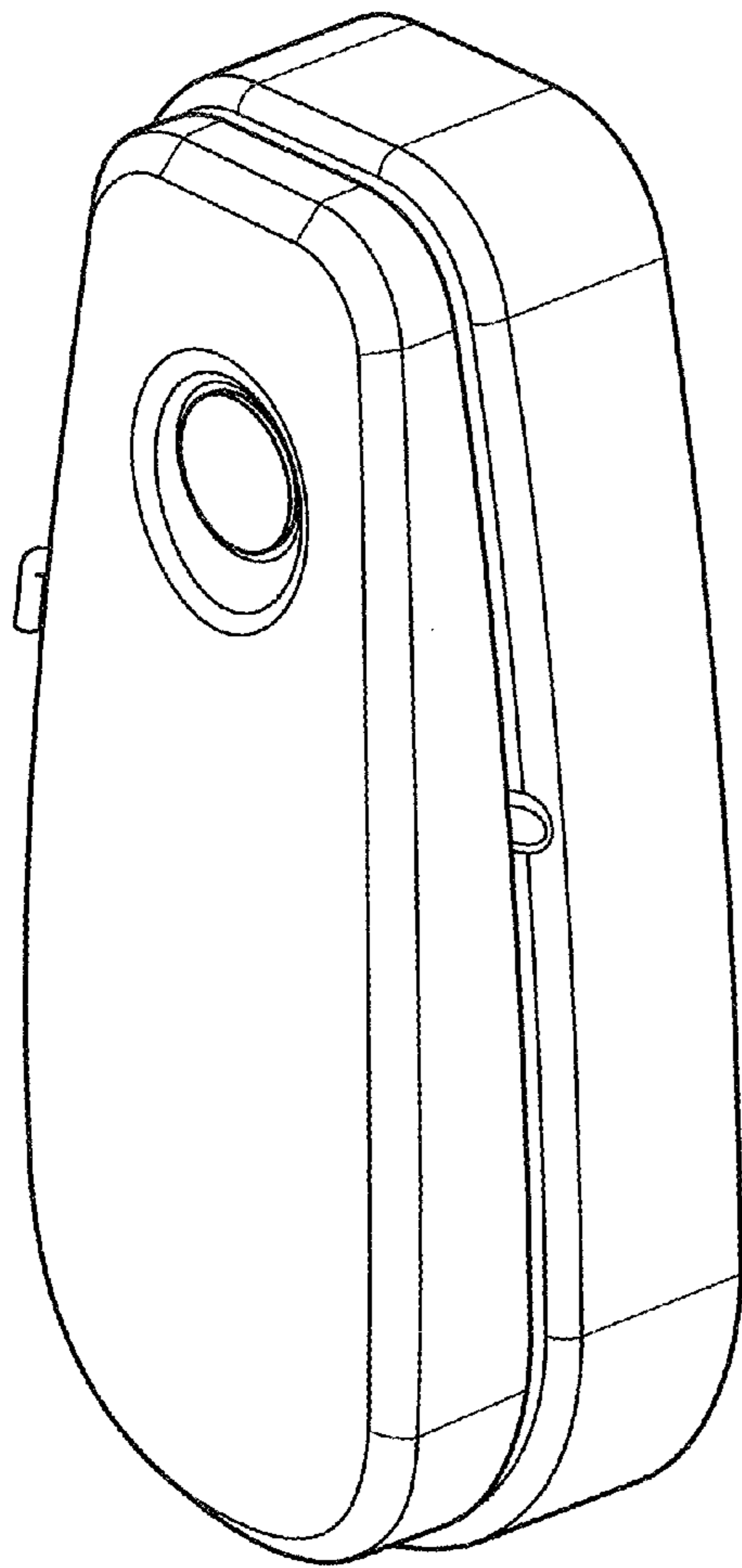


FIG. 1

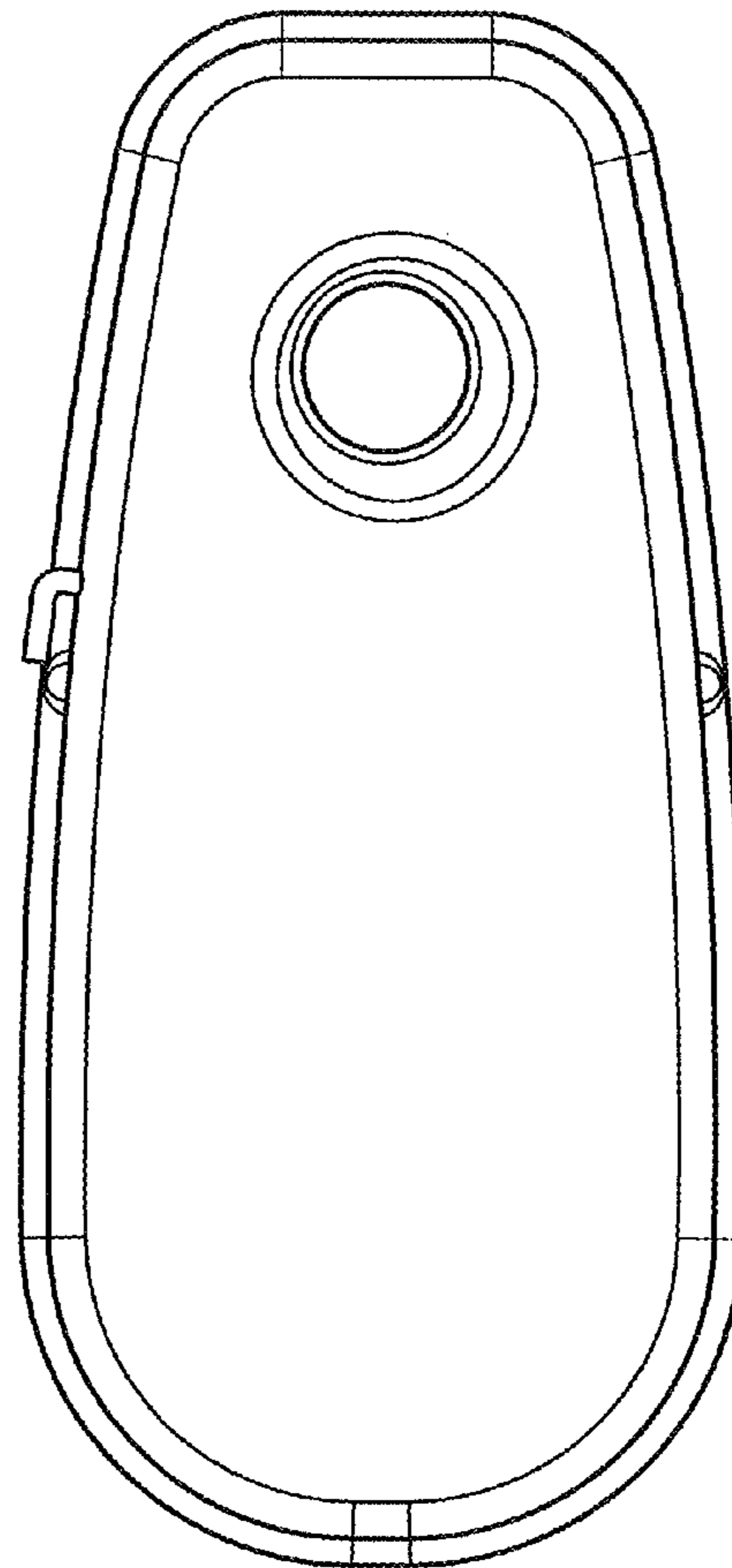


FIG. 2

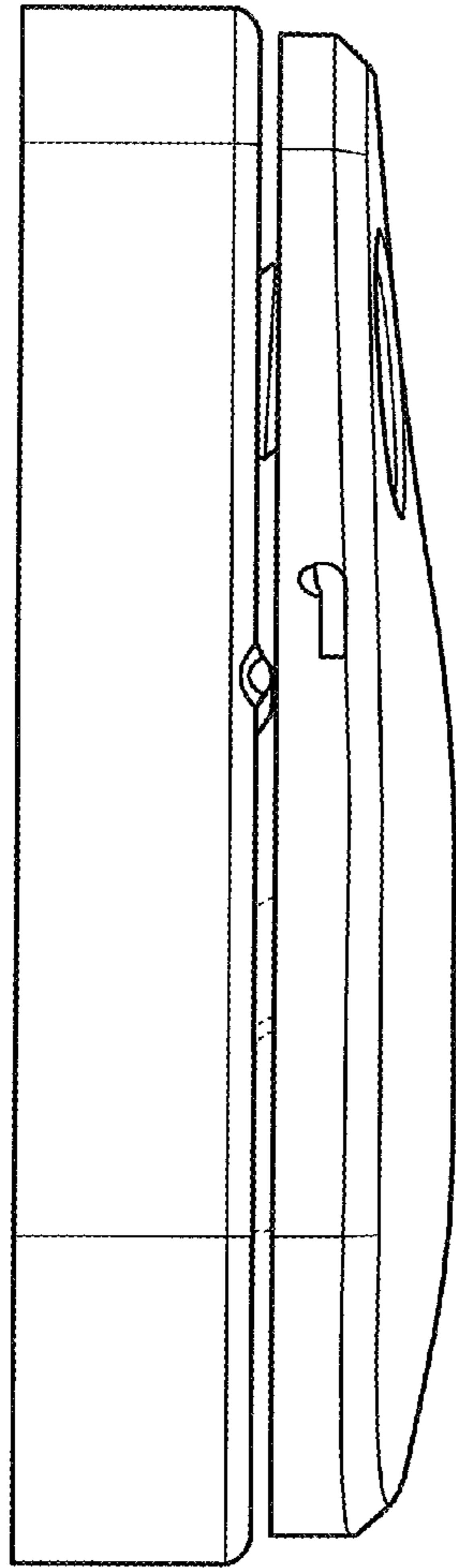


FIG. 3

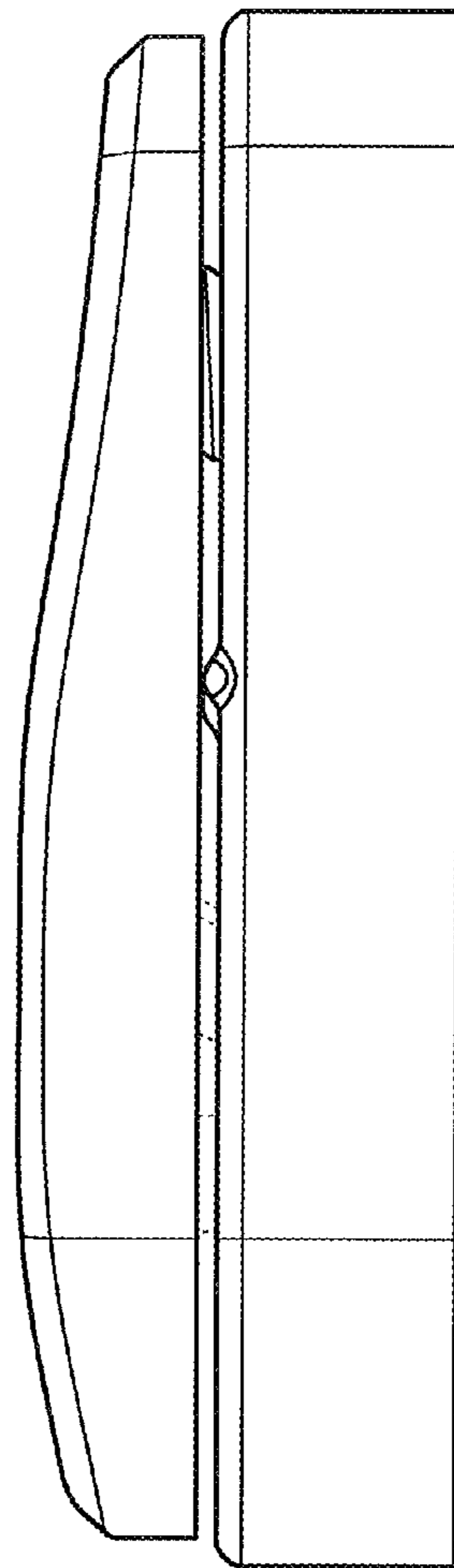


FIG. 4

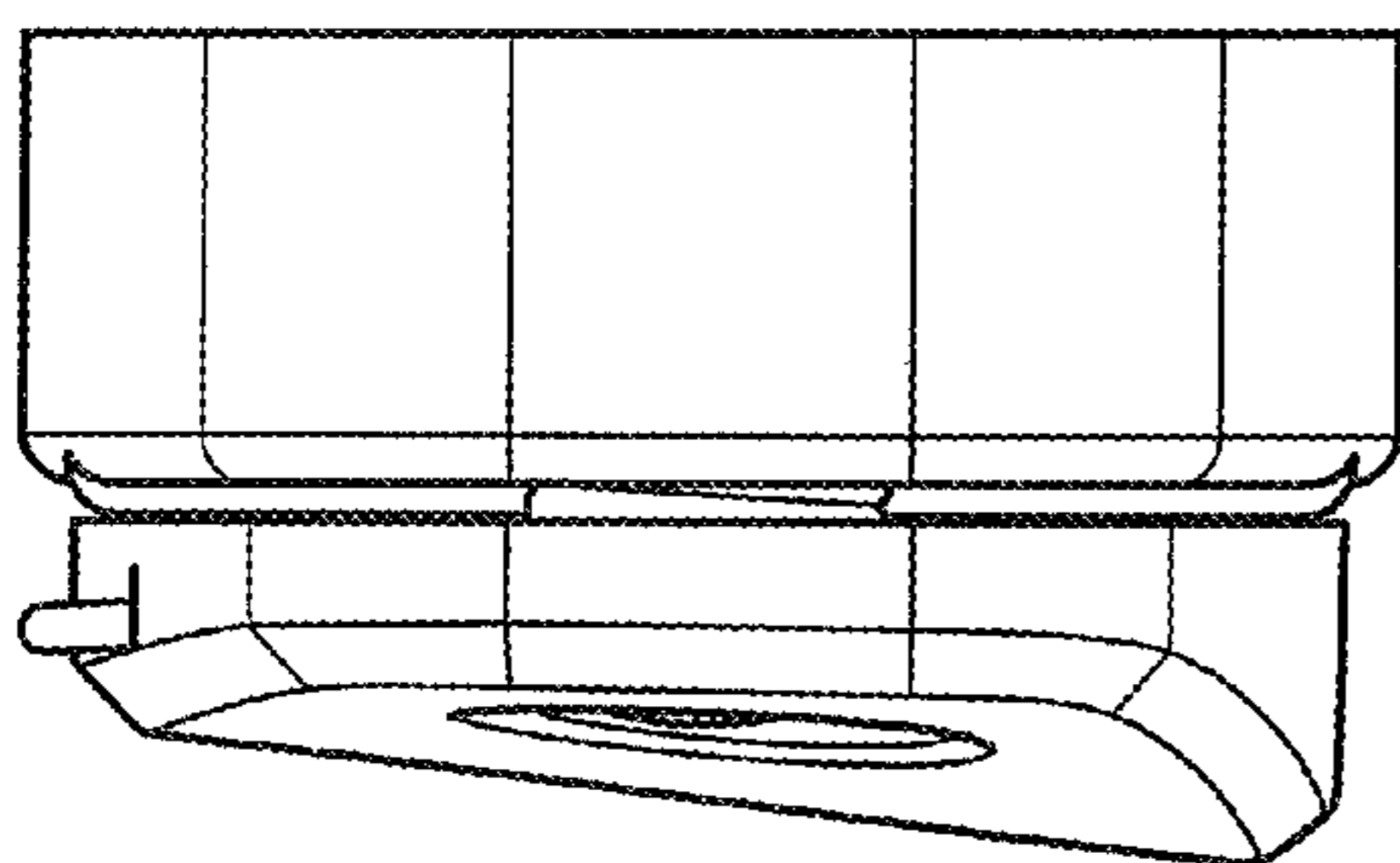


FIG. 5

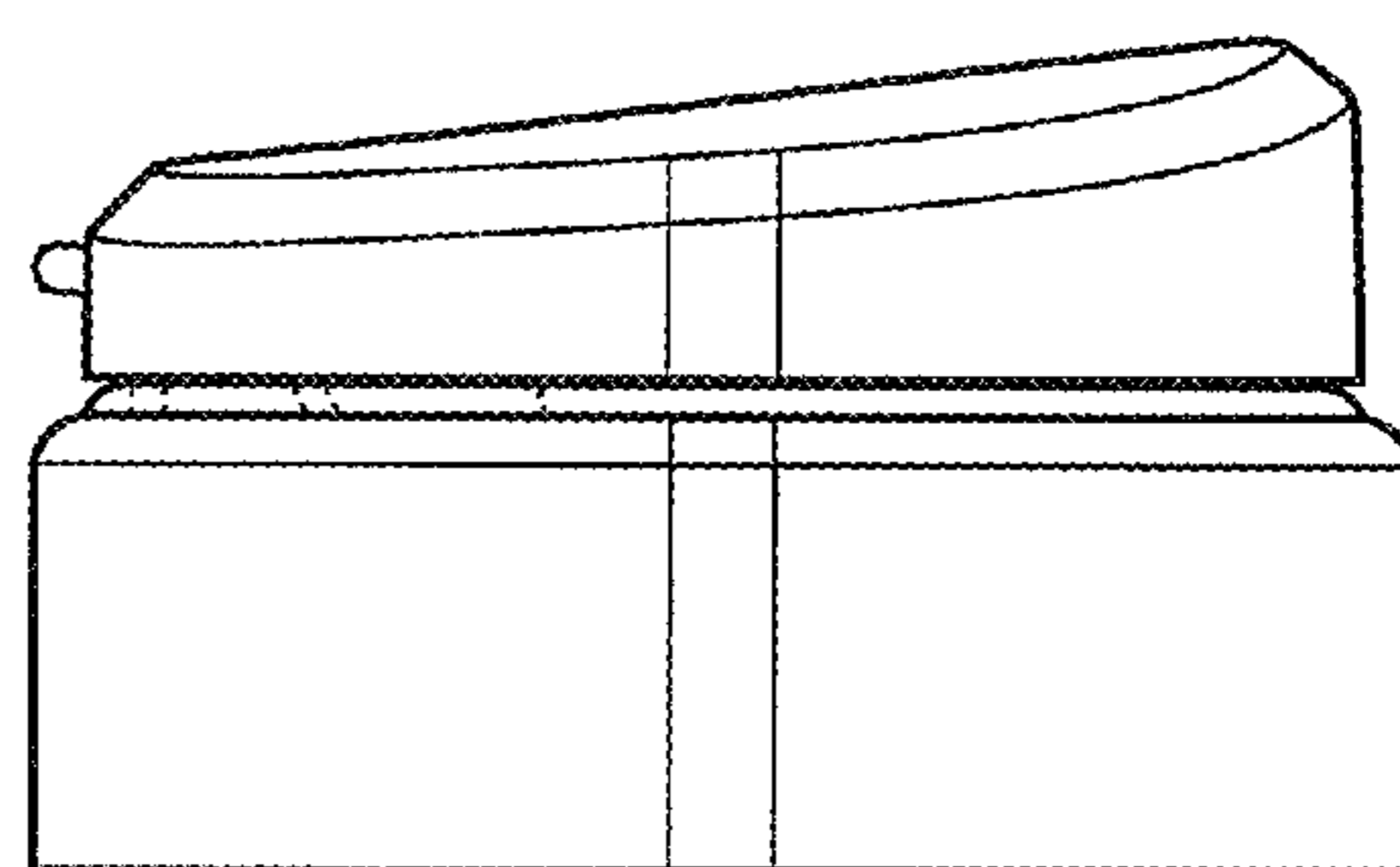


FIG. 6

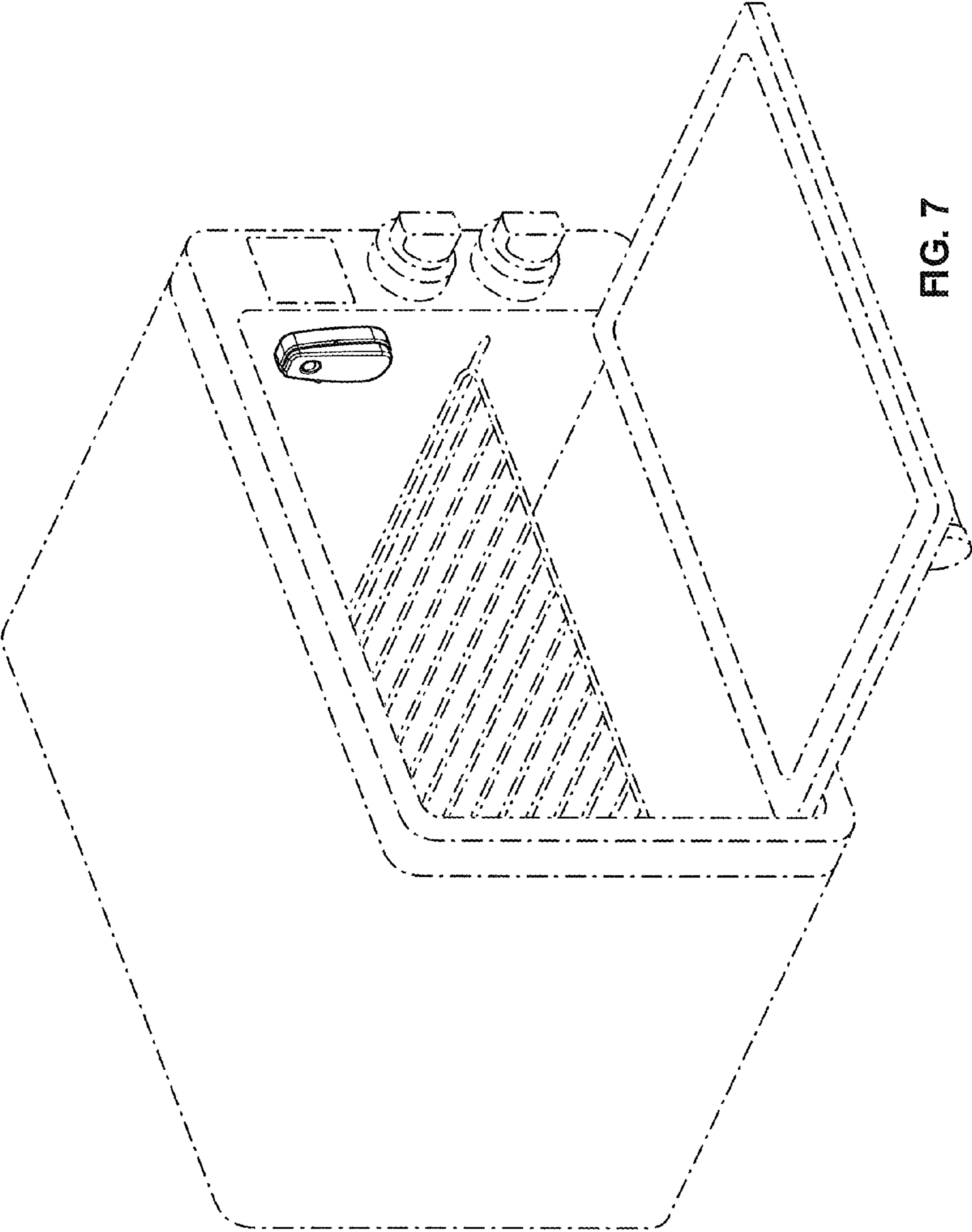


FIG. 7

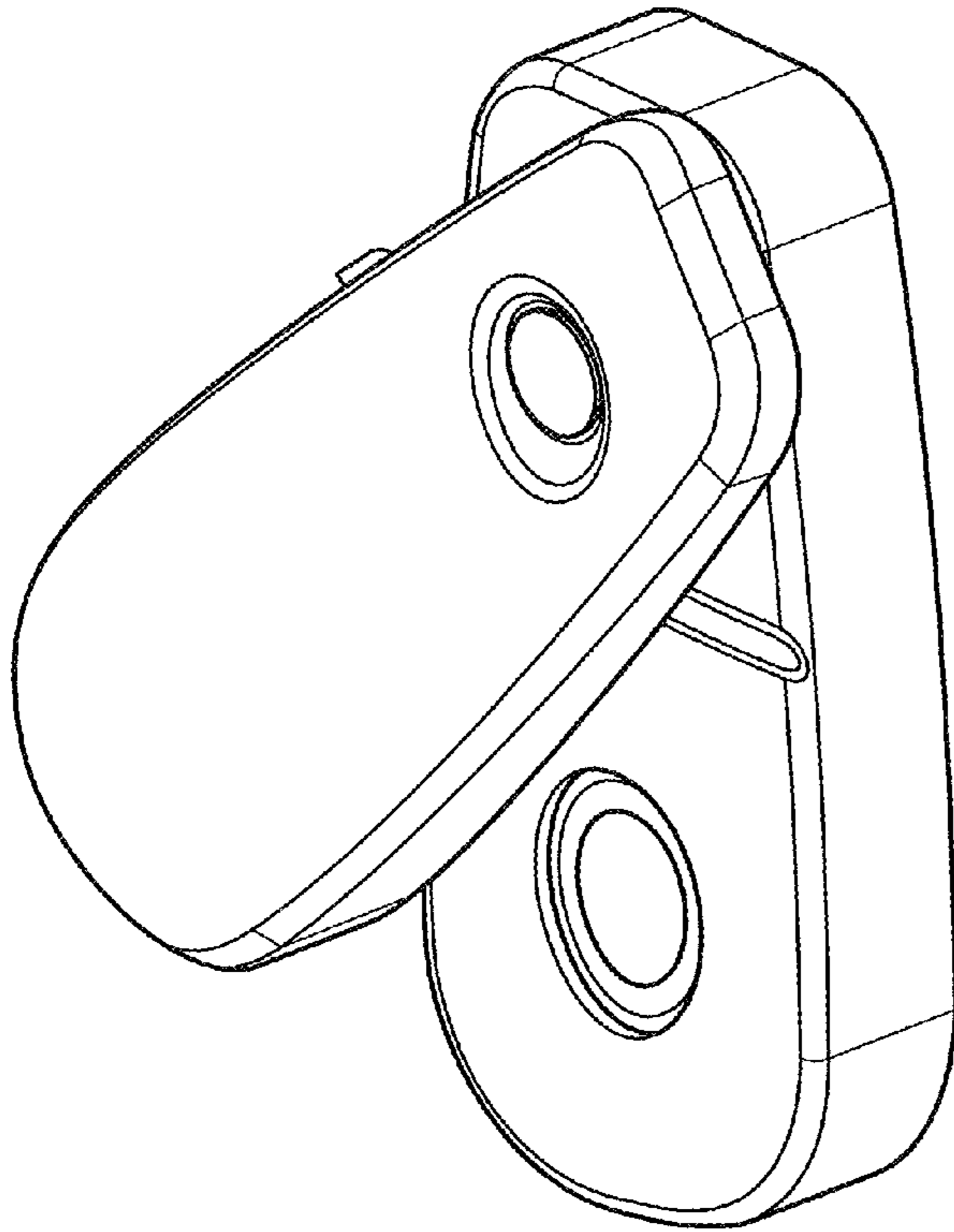


FIG. 8

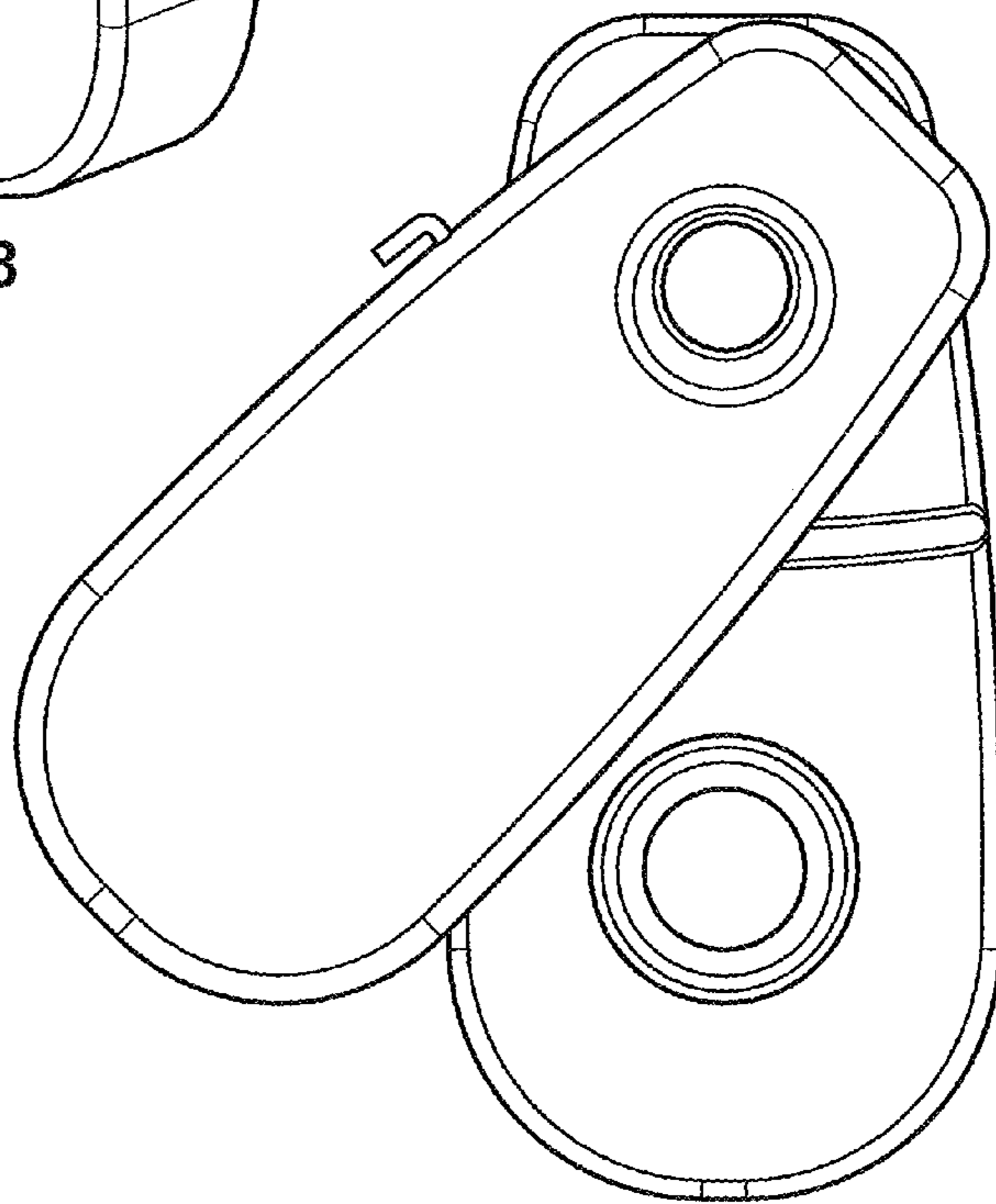


FIG. 9

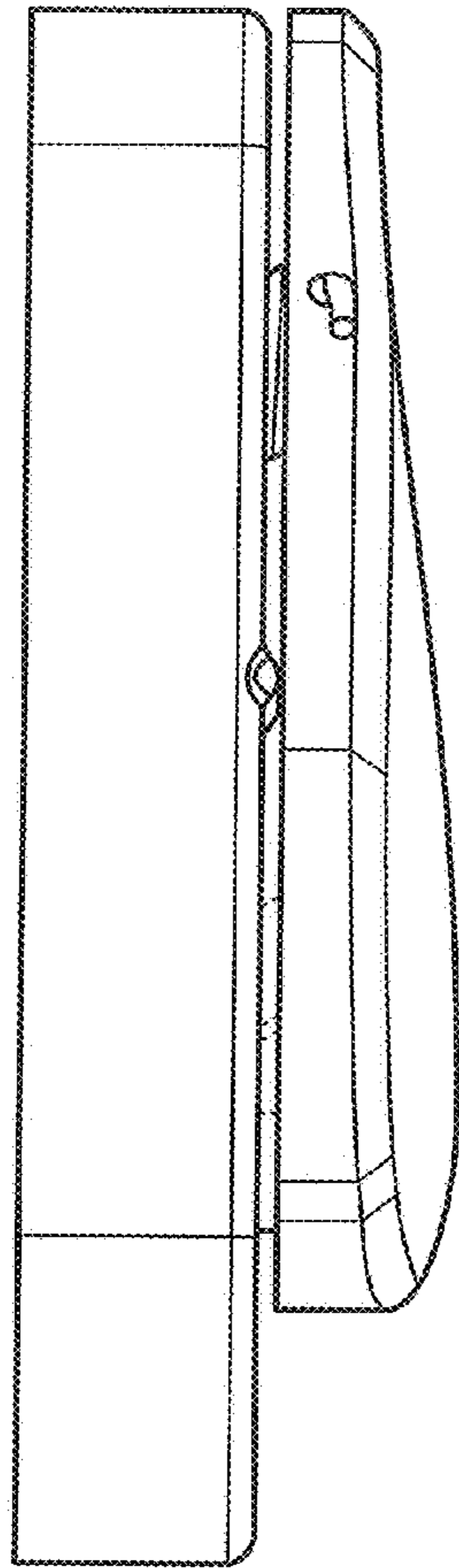


FIG. 10

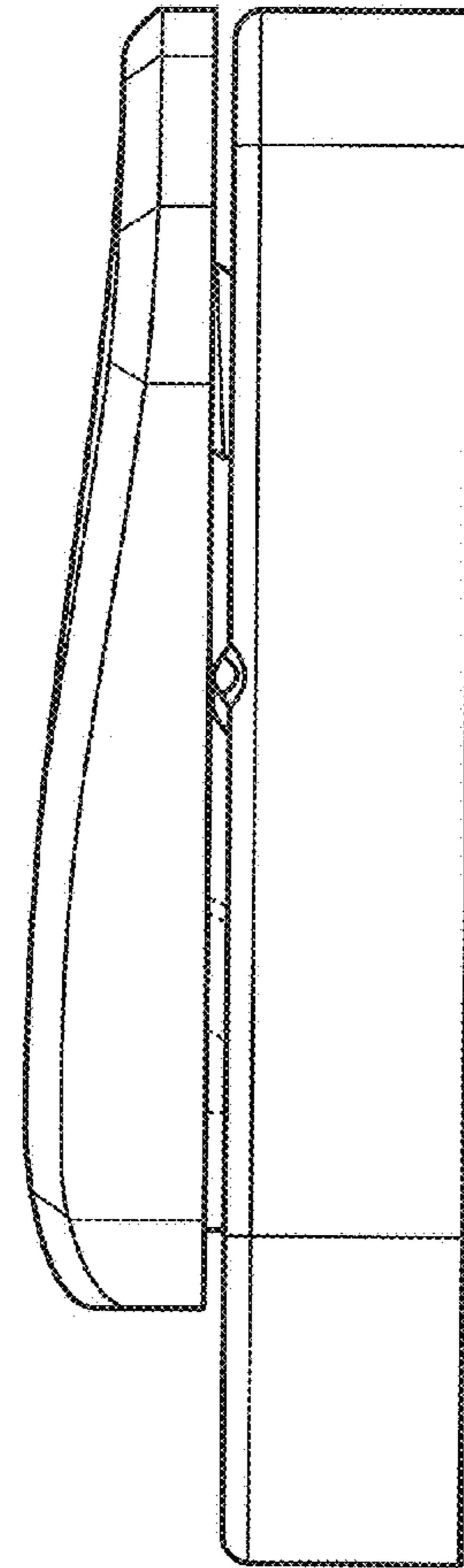


FIG. 11

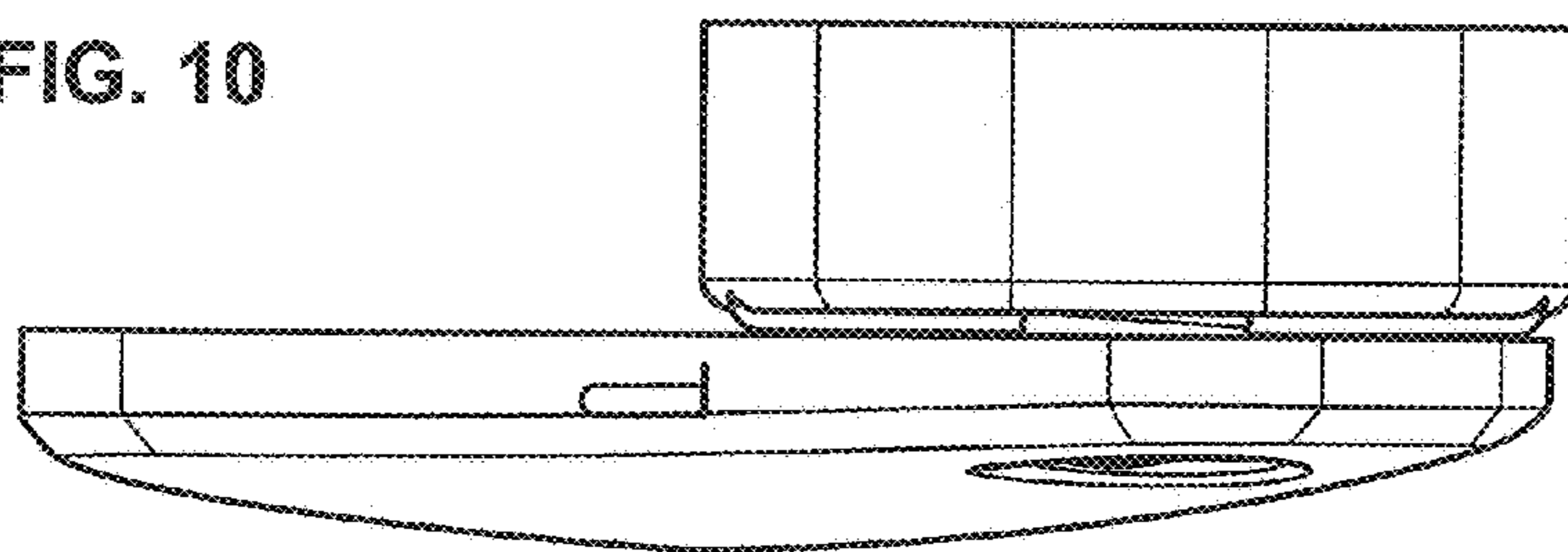


FIG. 12

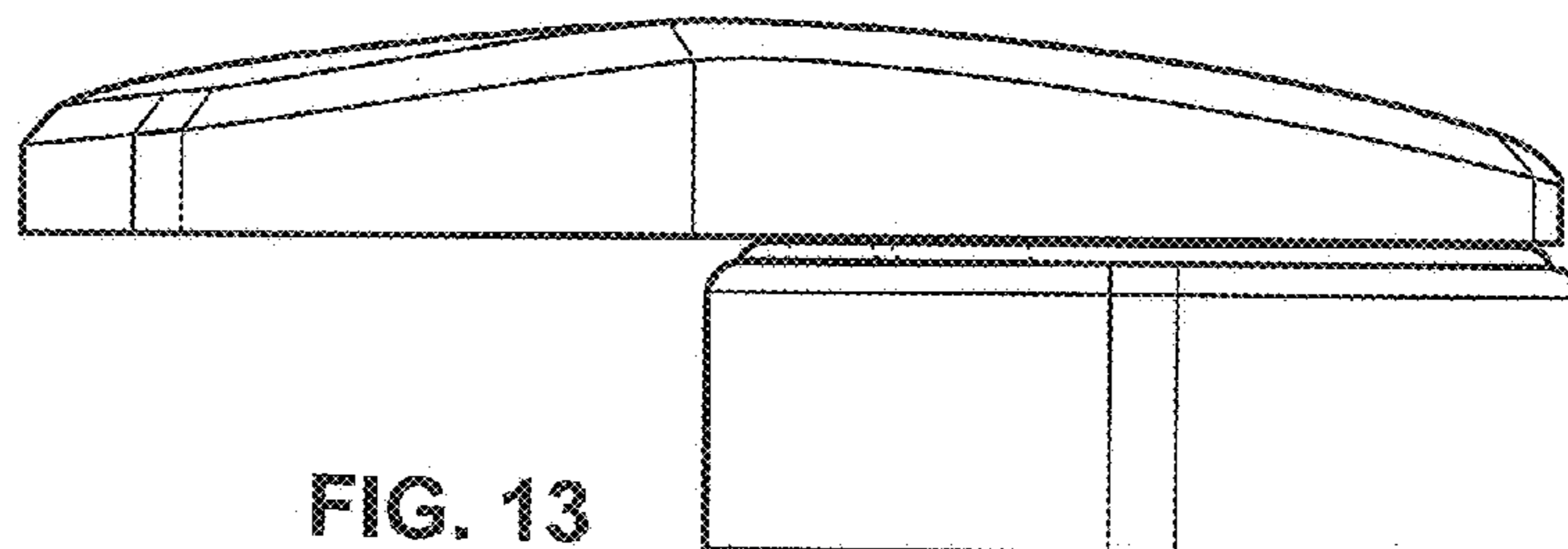


FIG. 13

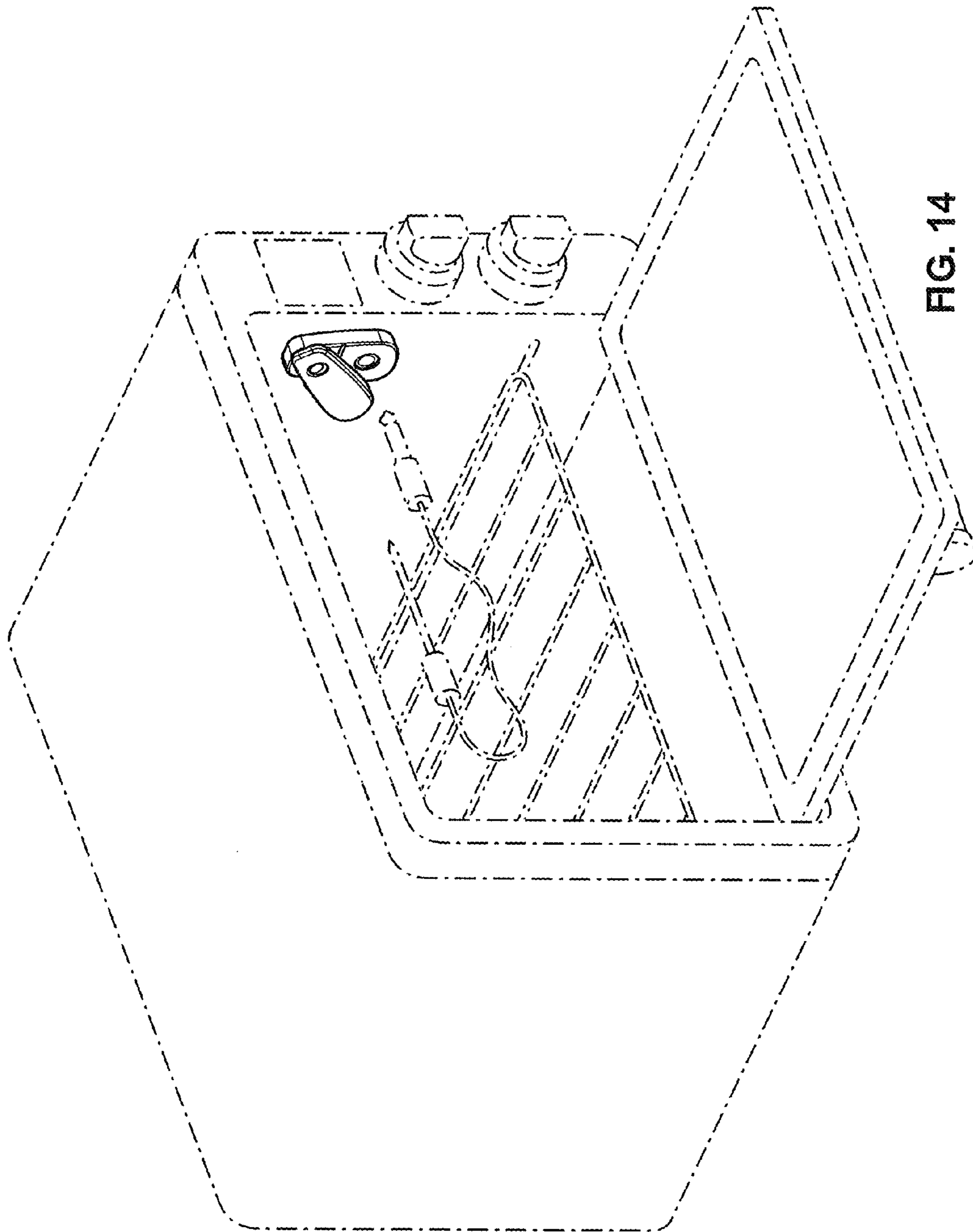


FIG. 14