



US00D771567S

(12) **United States Design Patent** (10) **Patent No.:** **US D771,567 S**
Flohe et al. (45) **Date of Patent:** **** Nov. 15, 2016**

(54) **CORONA RING**
(71) Applicant: **SIEMENS**
AKTIENGESELLSCHAFT, Munich
(DE)
(72) Inventors: **Daniel Flohe**, Berlin (DE); **Dirk**
Sagasser, Berlin (DE)

3,471,633 A * 10/1969 Kaminski, Jr. 174/144
5,077,450 A * 12/1991 Rafiee 174/145
5,552,566 A * 9/1996 Lin et al. 174/144
D476,295 S * 6/2003 Oohashi et al. D13/118
D532,747 S * 11/2006 Ricci et al. D13/110
D550,618 S * 9/2007 Ricci et al. D13/110
8,331,074 B2 * 12/2012 Zhang et al. 361/117
D722,966 S * 2/2015 Smith D13/129

(73) Assignee: **Siemens Aktiengesellschaft**, Munich
(DE)
(**) Term: **14 Years**

(21) Appl. No.: **29/498,734**
(22) Filed: **Aug. 7, 2014**

(30) **Foreign Application Priority Data**
Feb. 7, 2014 (EM) 001403497

(51) **LOC (10) Cl.** **13-03**

(52) **U.S. Cl.**
USPC **D13/124**

(58) **Field of Classification Search**
USPC D13/110, 118, 123, 129, 130-133, 147,
D13/154, 184, 199
CPC H01T 19/02; H01B 17/42; H01B 17/44;
H01B 5/004; H01F 2027/329; H01R 4/64;
H01R 4/643; H01C 7/12; H01H 9/48;
H01H 33/24; H01H 2085/0225; Y10S
439/934
See application file for complete search history.

(56) **References Cited**
U.S. PATENT DOCUMENTS

1,690,200 A * 11/1928 Miller 174/141 R
1,709,697 A * 4/1929 Wahlberg 174/141 R
2,539,641 A * 1/1951 Sheadel 174/140 CR
3,252,054 A * 5/1966 Decker et al. 361/132
RE26,066 E * 7/1966 Huston 174/73.1

OTHER PUBLICATIONS

Sarjak Corona Toroids, dated Oct. 23, 2013, [online], [site visited Jul. 30, 2015]. Available from Internet, <URL: <http://sarjakengineering.com/Products.html>>.*
JM Engineering Corona Rings, dated Apr. 16, 2013, [online], [site visited Jul. 30, 2015]. Available from Internet, <URL: <http://www.jmengineering.co.in/circuit-breakers.aspx>>.*

* cited by examiner

Primary Examiner — Thomas Johannes
Assistant Examiner — Shawn T Gingrich
(74) *Attorney, Agent, or Firm* — Laurence Greenberg;
Werner Stemer; Ralph Locher

(57) **CLAIM**
The ornamental design for a corona ring, as shown and described.

DESCRIPTION

FIG. 1 is a front elevation view of the corona ring, showing my new invention;
FIG. 2 is a rear elevation view thereof;
FIG. 3 is a top plan view thereof;
FIG. 4 is a bottom plan view thereof;
FIG. 5 is a right side elevation view thereof;
FIG. 6 is a left side elevation view thereof; and,
FIG. 7 is a perspective view thereof.
The broken line portion of the drawings is included to show portions of the article that form no part of the claimed design.

1 Claim, 7 Drawing Sheets

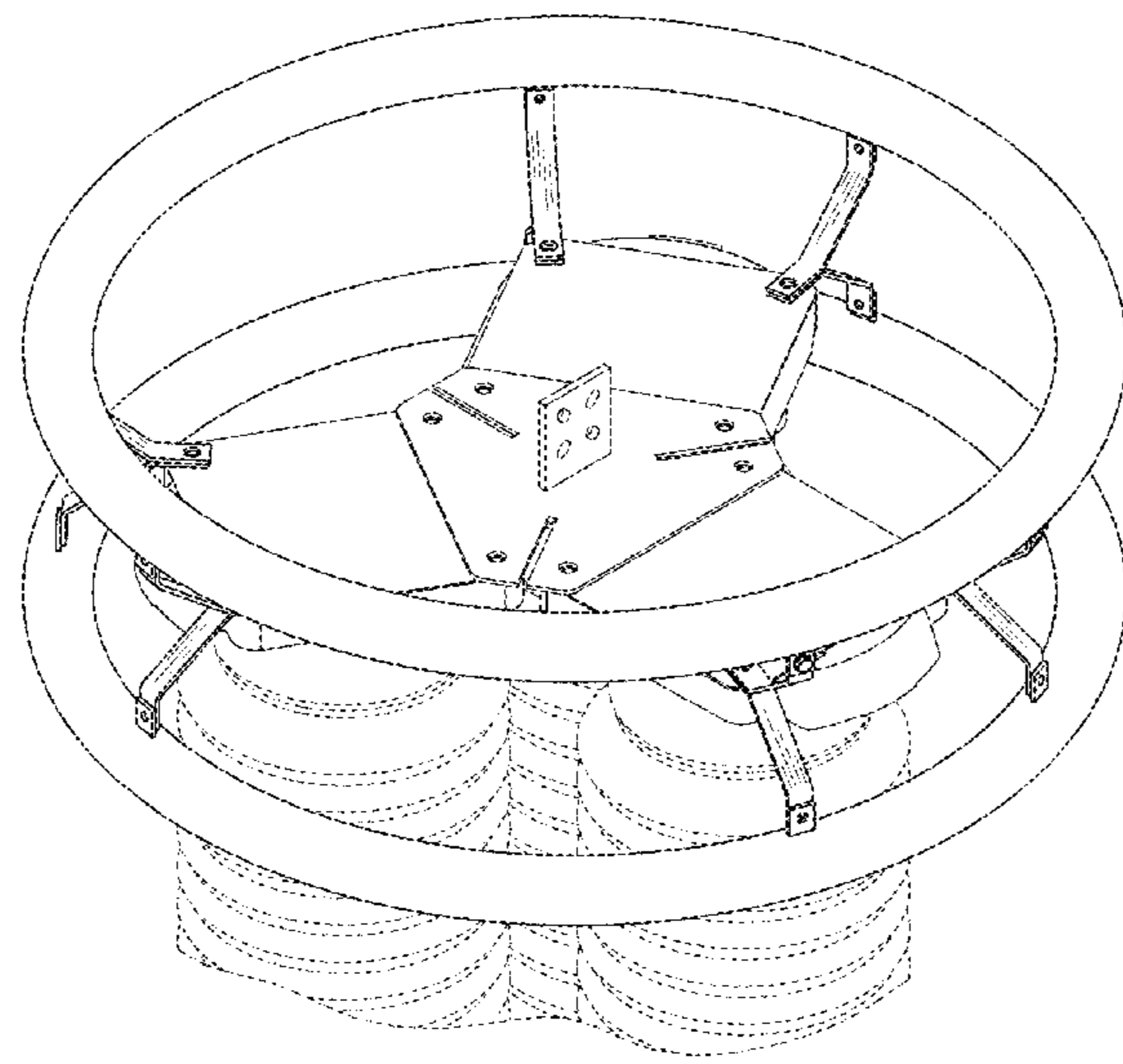


FIG. 1

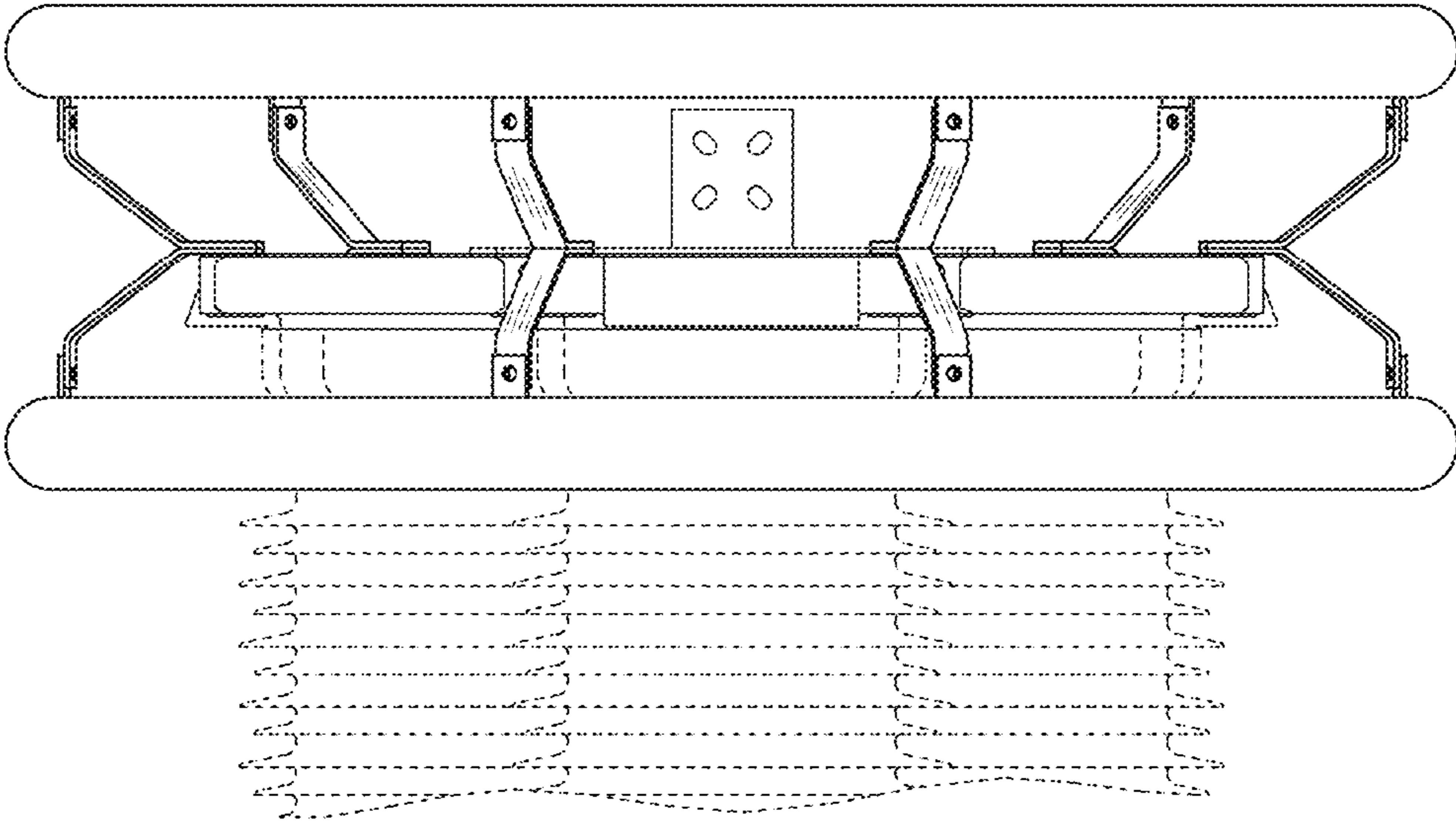


FIG. 2

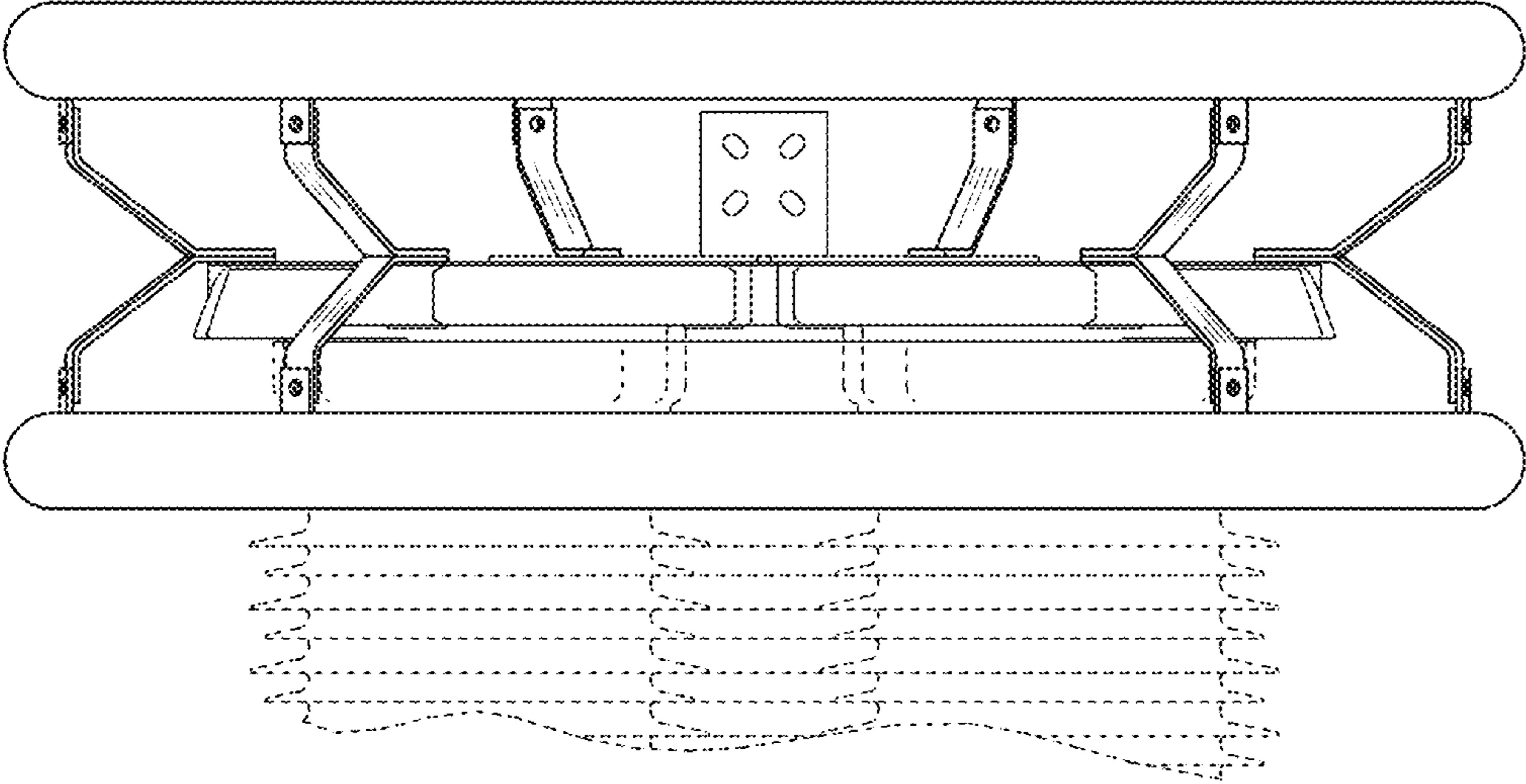


FIG. 3

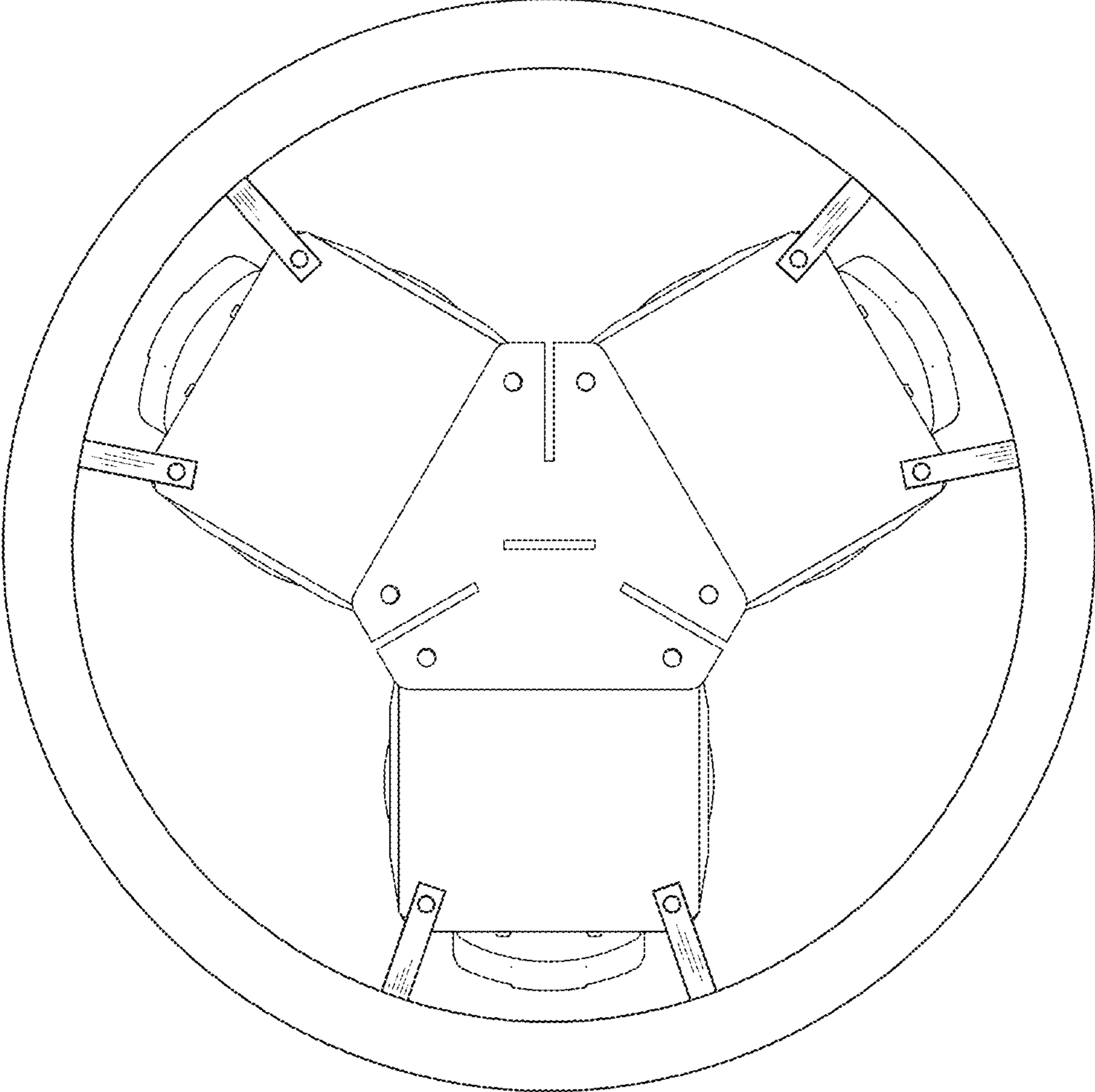


FIG. 4

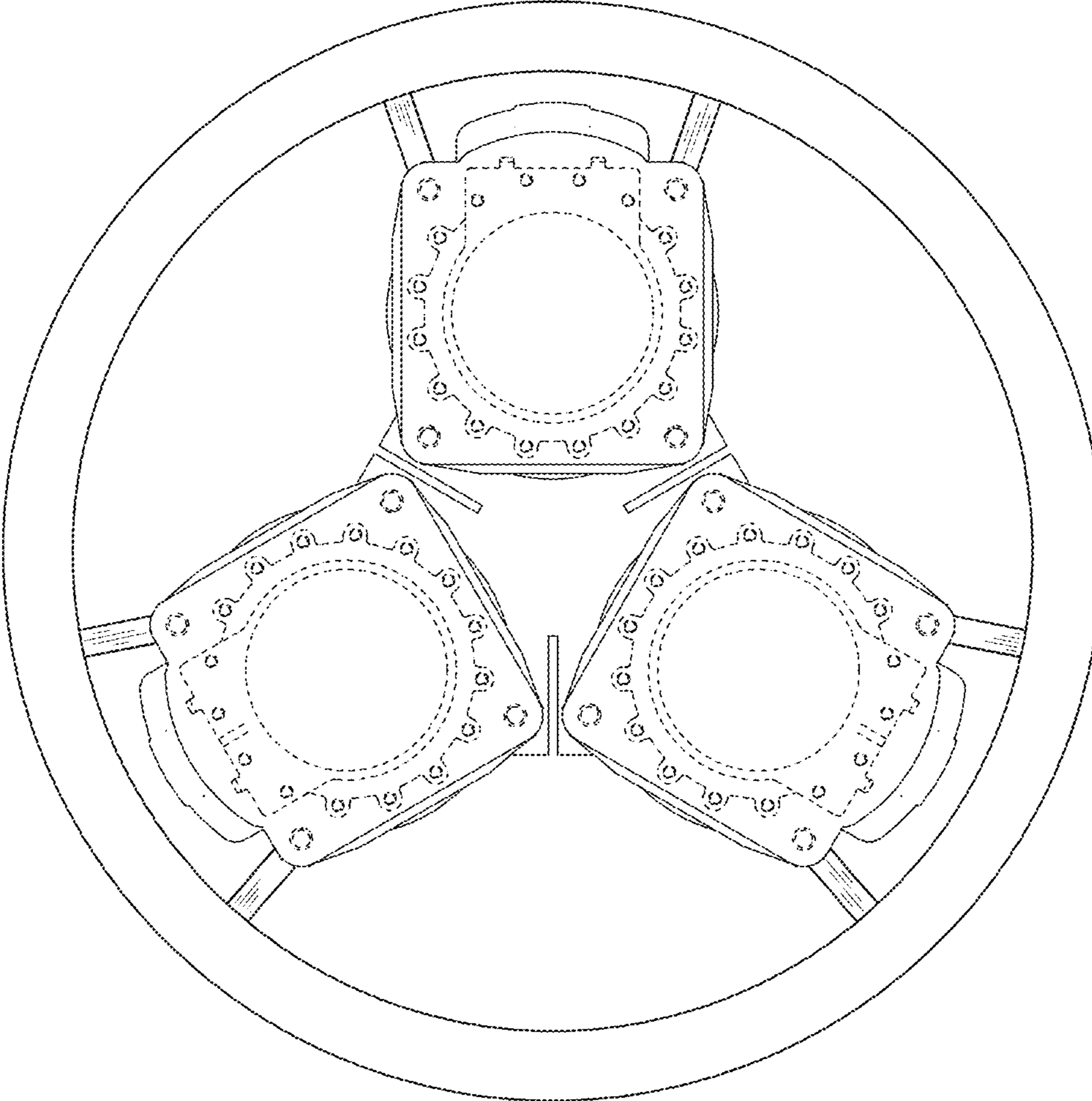


FIG. 5

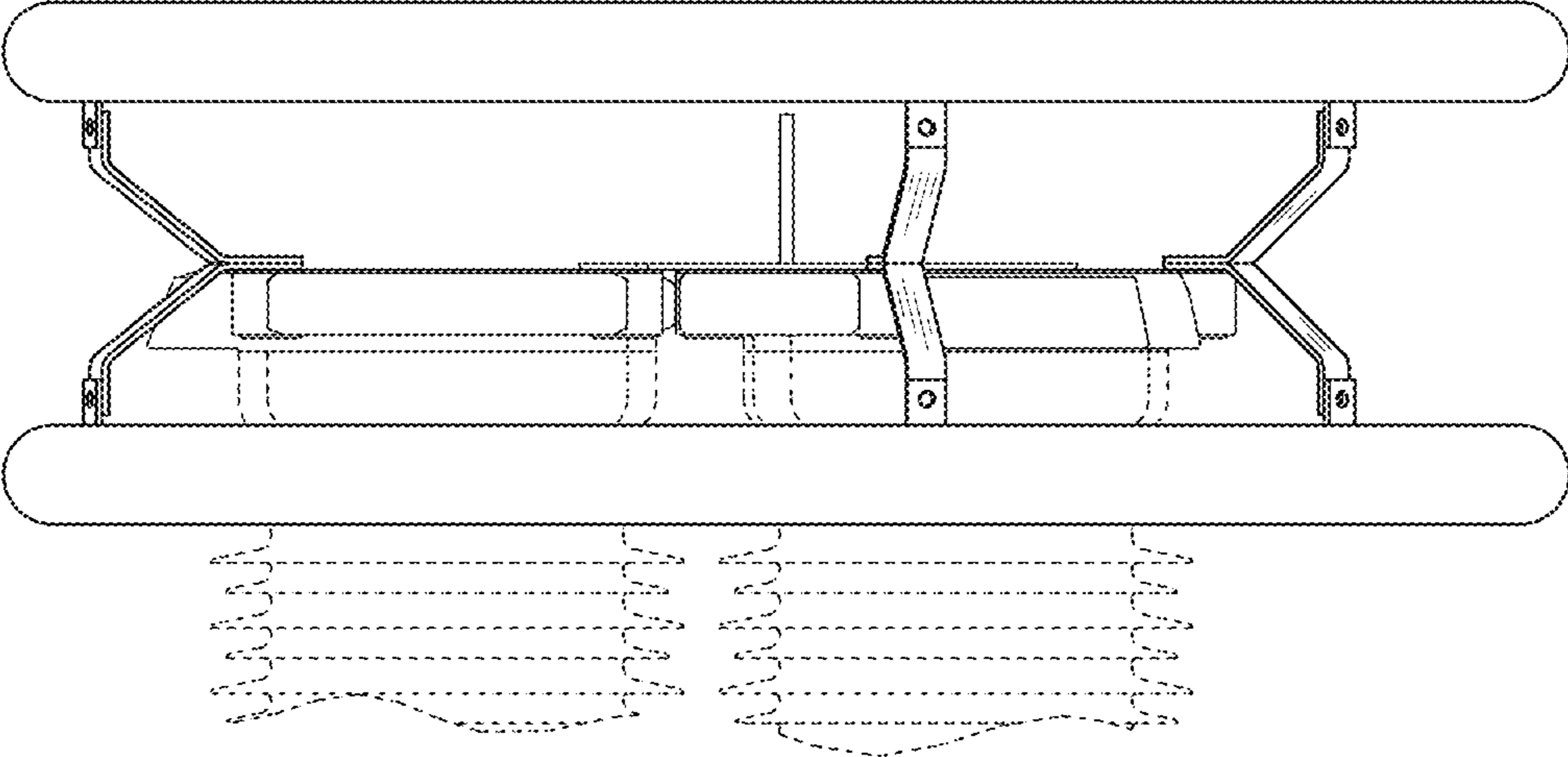


FIG. 6

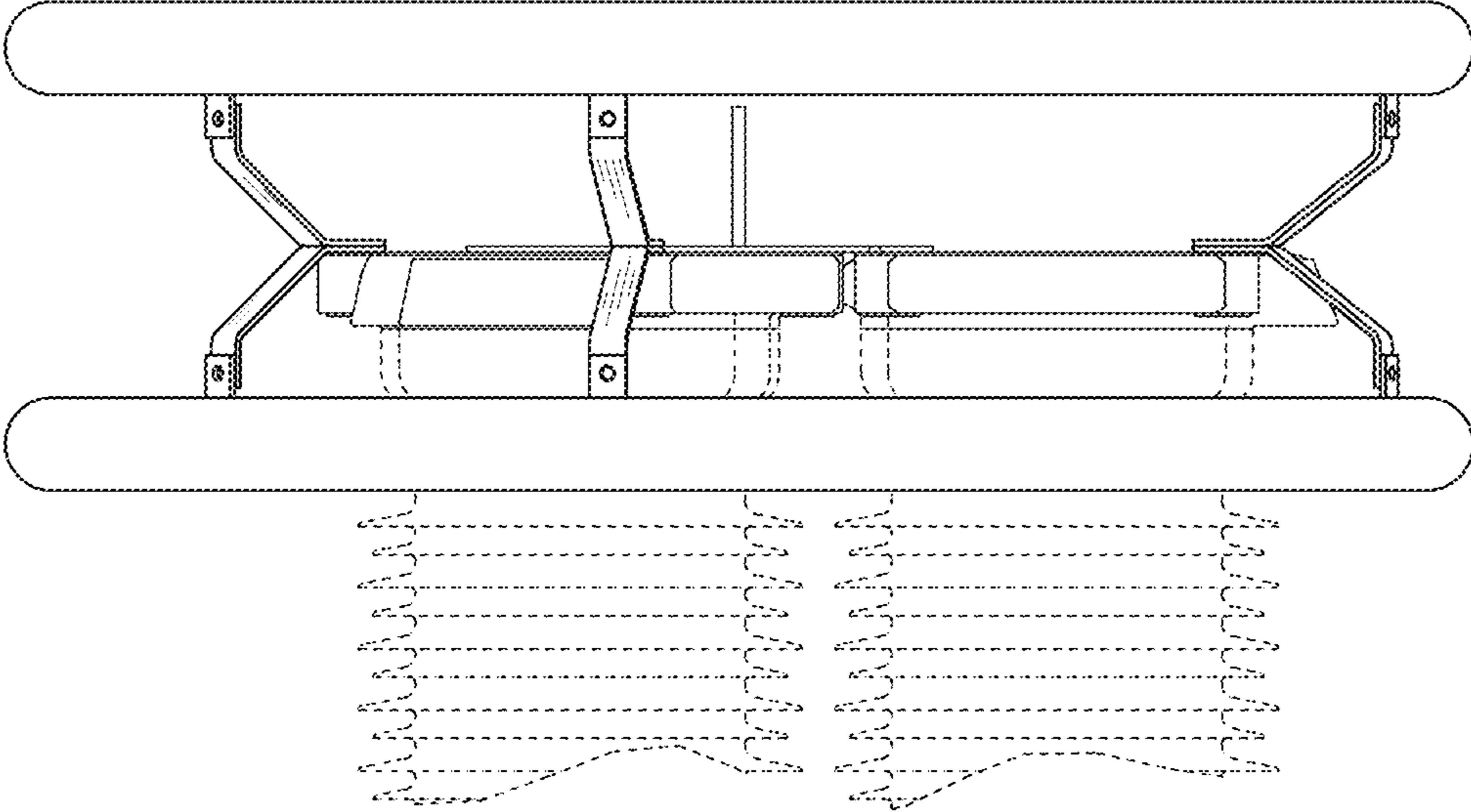


FIG. 7

