



US00D771566S

(12) **United States Design Patent** (10) **Patent No.:** **US D771,566 S**
Saarivirta et al. (45) **Date of Patent:** **** Nov. 15, 2016**

(54) **DEVICE FOR DISTRIBUTION OF ELECTRIC POWER**

(71) Applicant: **ABB Technology OY**, Helsinki (FI)

(72) Inventors: **Matti Saarivirta**, Pori (FI); **Mika Valli**, Pori (FI); **Sakari Lilja**, Masala (FI); **Juha Kauko**, Helsinki (FI)

(73) Assignee: **ABB Technology Oy**, Helsinki (FI)

(**) Term: **15 Years**

(21) Appl. No.: **29/556,059**

(22) Filed: **Feb. 26, 2016**

(30) **Foreign Application Priority Data**

Aug. 26, 2015 (EM) 002760884

(51) **LOC (10) Cl.** **13-02**

(52) **U.S. Cl.**
USPC **D13/110**

(58) **Field of Classification Search**
USPC D13/110, 101, 123, 162, 164, 184, 199;
307/150-152; 361/600, 601, 622, 702,
361/703, 730, 796, 809; 363/141, 142;
D15/149
CPC H02M 7/00; H02M 7/02; H02M 7/003;
H05K 5/00; H05K 5/0017; H05K 5/04;
H05K 7/20; H05K 7/20136; H05K 7/20209;
H05K 7/20418; G06F 1/20
See application file for complete search history.

(56) **References Cited**

U.S. PATENT DOCUMENTS

4,620,263 A * 10/1986 Ito H05K 7/20918
361/690
D343,382 S * 1/1994 Hagura D13/110

5,497,289 A * 3/1996 Sugishima H02M 7/003
318/558
D379,963 S * 6/1997 Ikeda D13/110
D380,193 S * 6/1997 Yamaguchi D13/110
6,239,986 B1 * 5/2001 Otsuka H05K 7/1427
361/728
D455,399 S * 4/2002 Imamura D13/110
D561,095 S * 2/2008 Sakai D13/110
D562,234 S * 2/2008 Morihara D13/110
D569,795 S * 5/2008 Higuchi D13/110
D647,845 S * 11/2011 Engblom D13/113
D698,725 S * 2/2014 Shin D13/110
D705,728 S * 5/2014 Choi D13/110

* cited by examiner

Primary Examiner — Derrick Holland

(74) *Attorney, Agent, or Firm* — Taft Stettinius & Hollister LLP

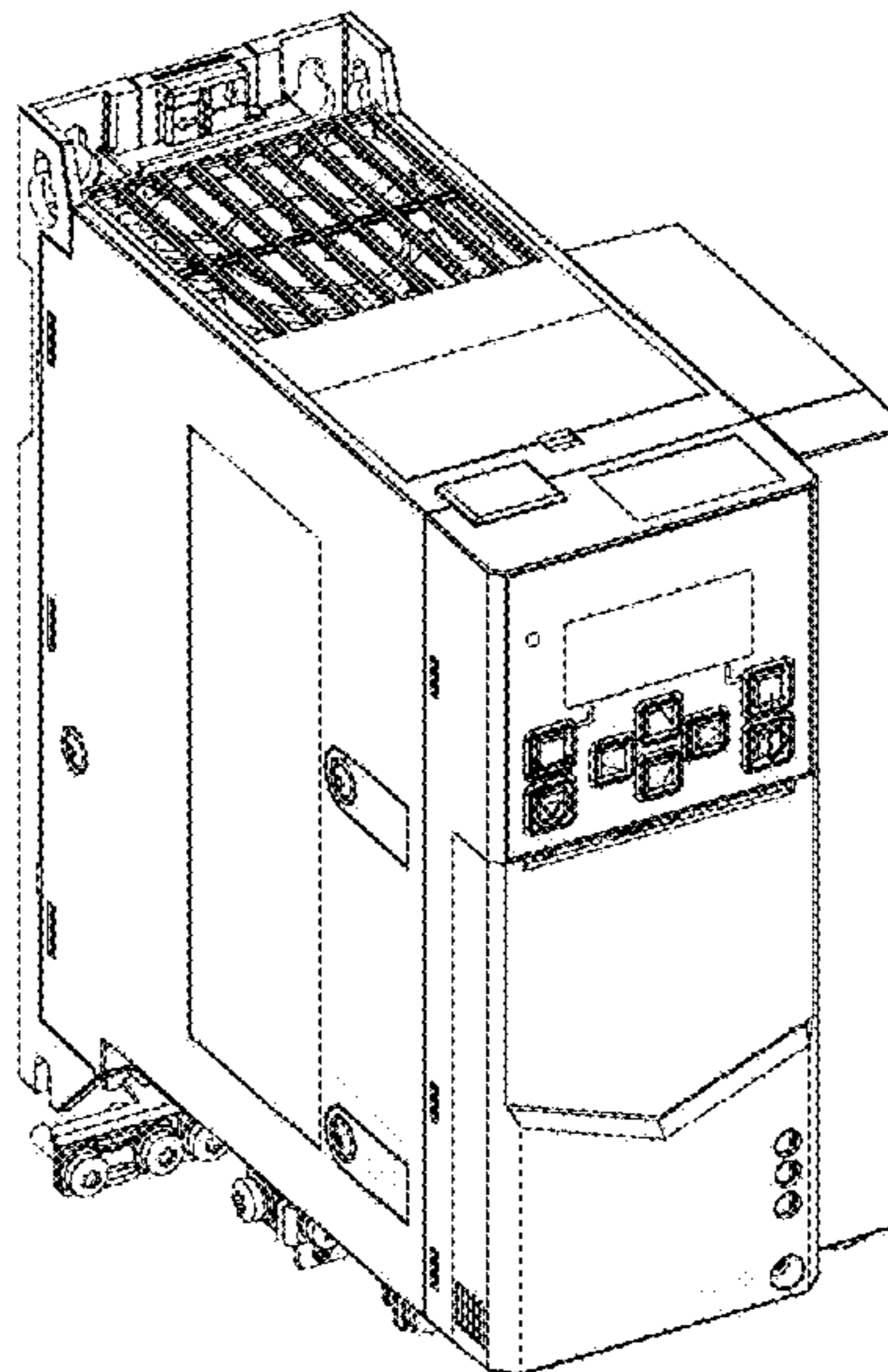
(57) **CLAIM**

The ornamental design for a device for distribution of electric power, as shown and described.

DESCRIPTION

FIG. 1 is a front perspective view of a device for distribution of electric power showing our new design;
 FIG. 2 is a front elevation view thereof;
 FIG. 3 is a back elevation view thereof;
 FIG. 4 is a top plan view thereof;
 FIG. 5 is a bottom plan view thereof;
 FIG. 6 is a right side elevation view thereof;
 FIG. 7 is a left side elevation view thereof; and,
 FIG. 8 is a back perspective view thereof.

1 Claim, 8 Drawing Sheets



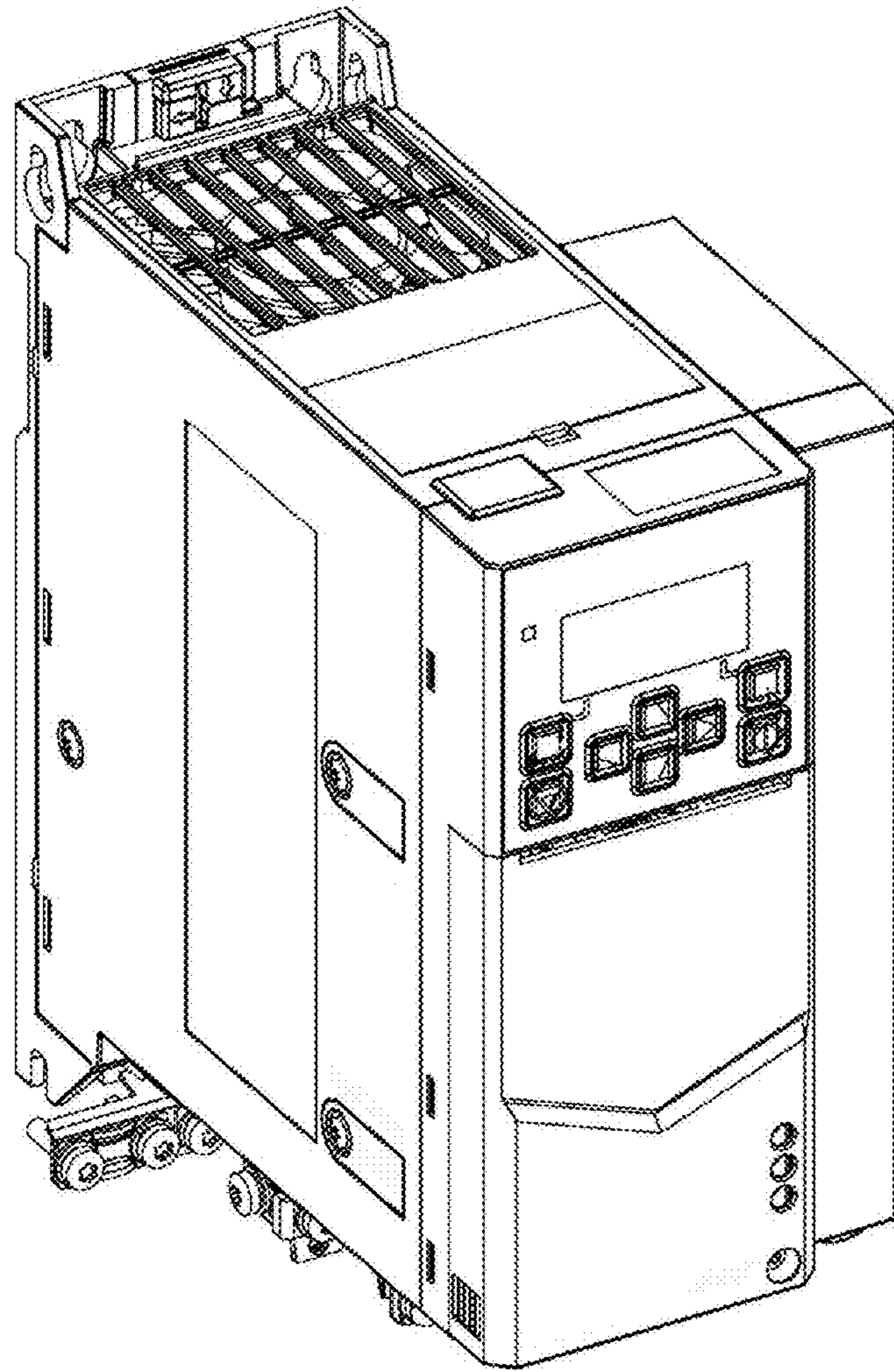


FIGURE 1

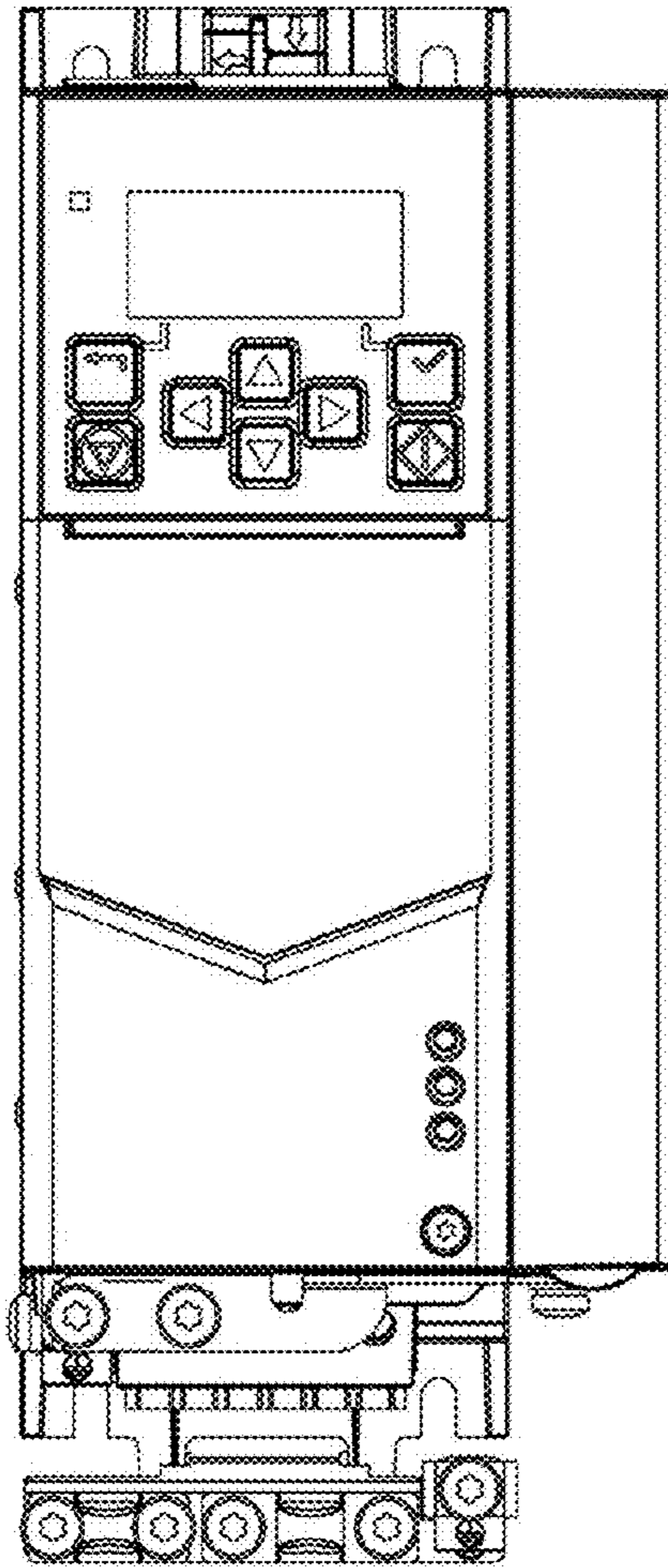


FIGURE 2

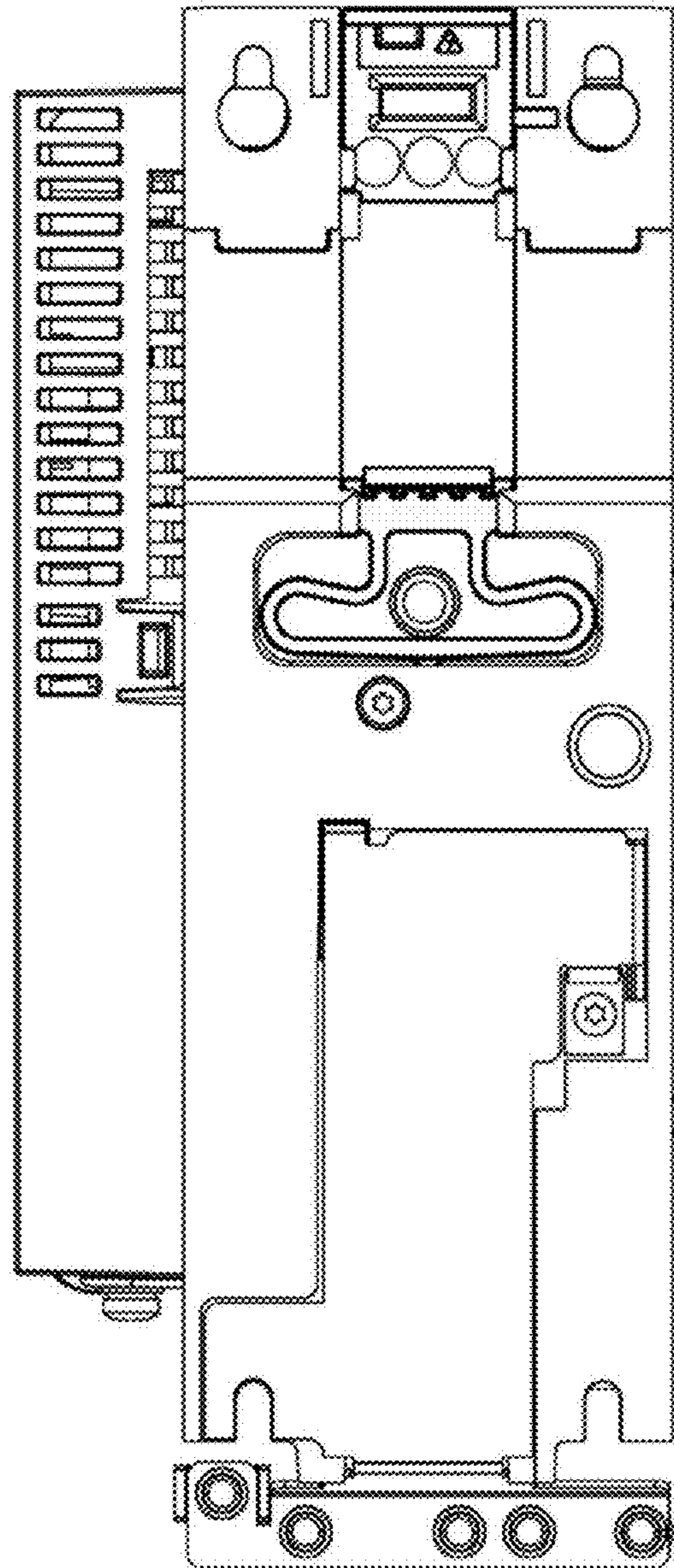


FIGURE 3

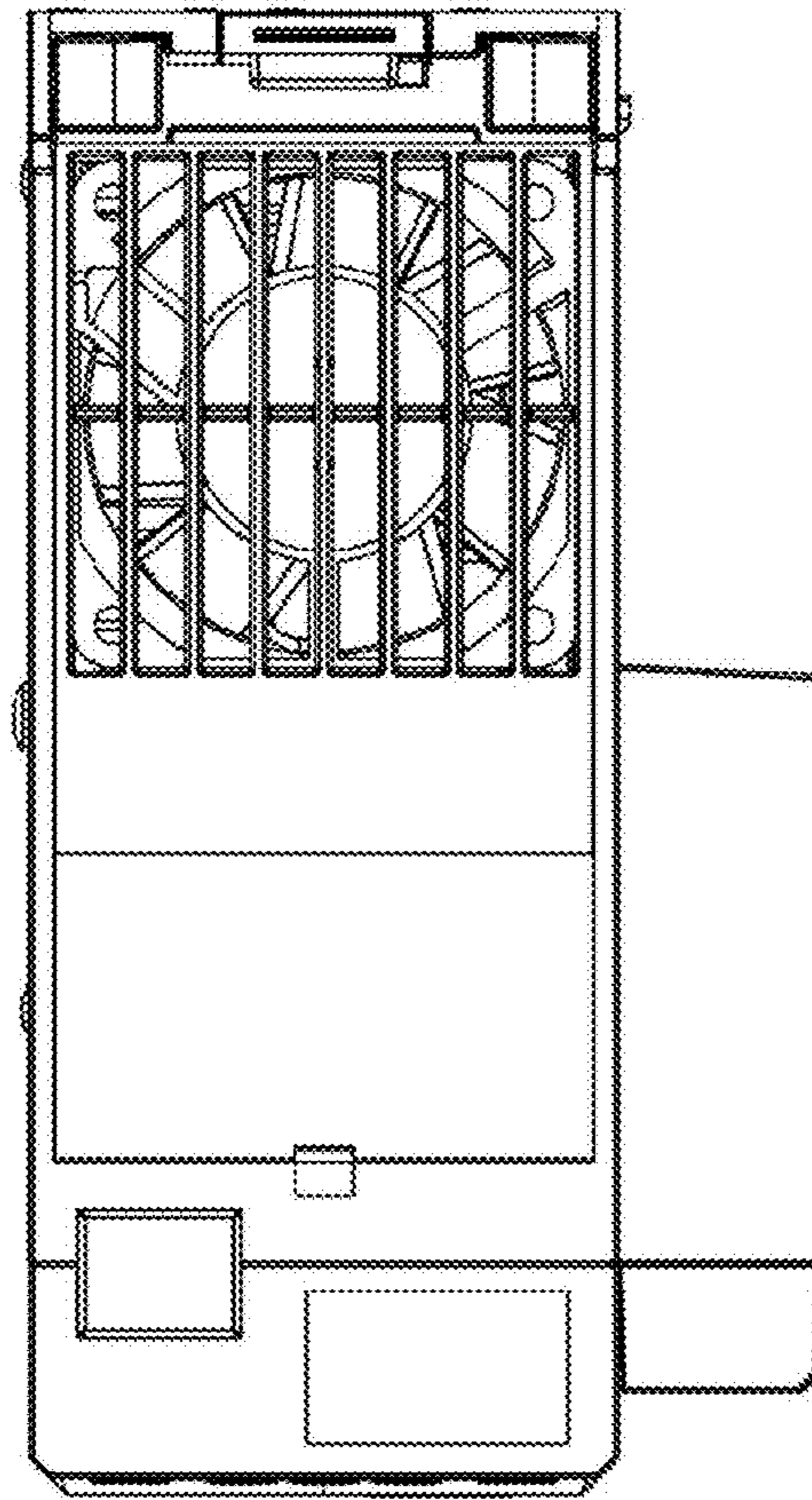


FIGURE 4

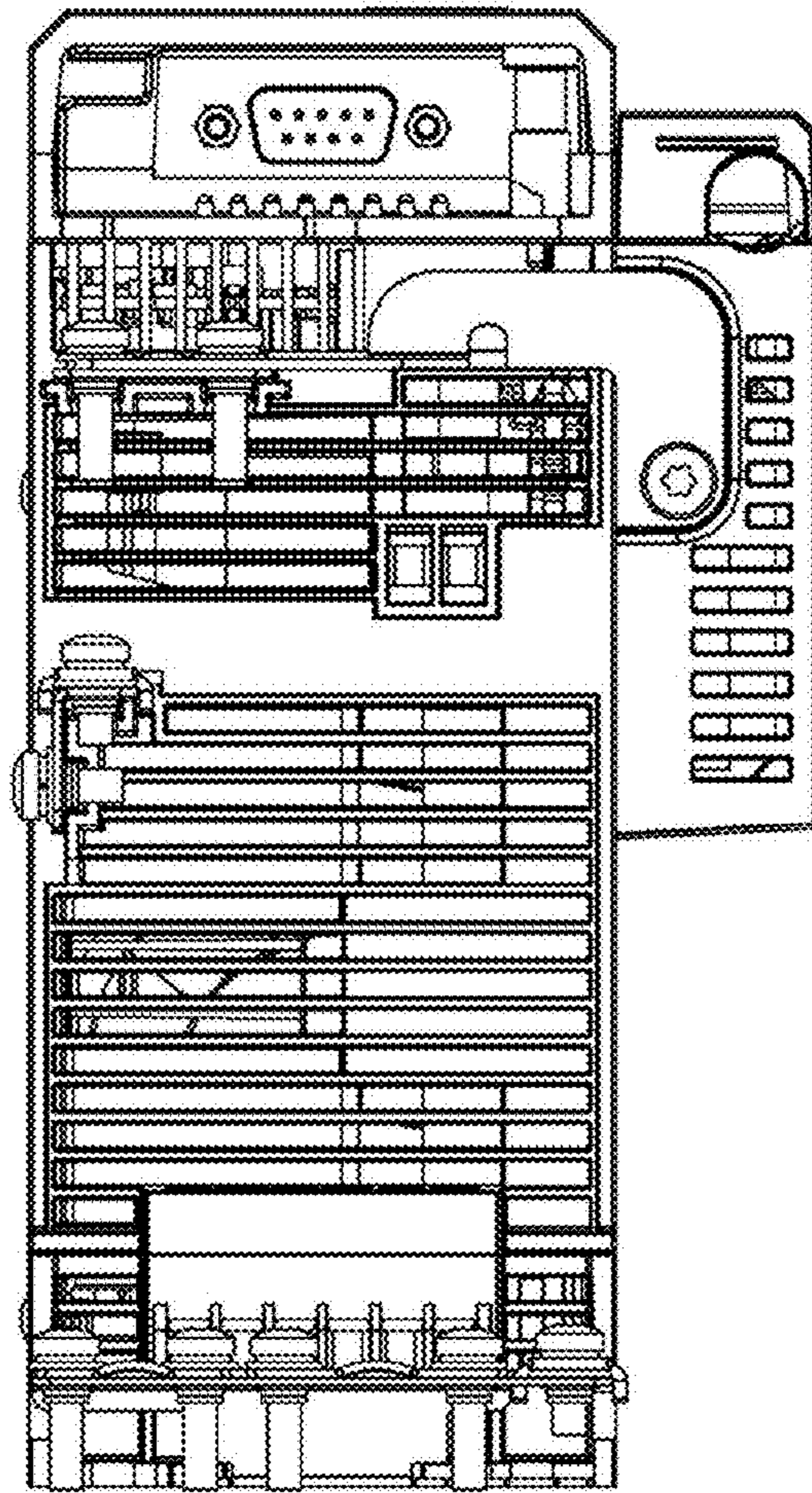


FIGURE 5

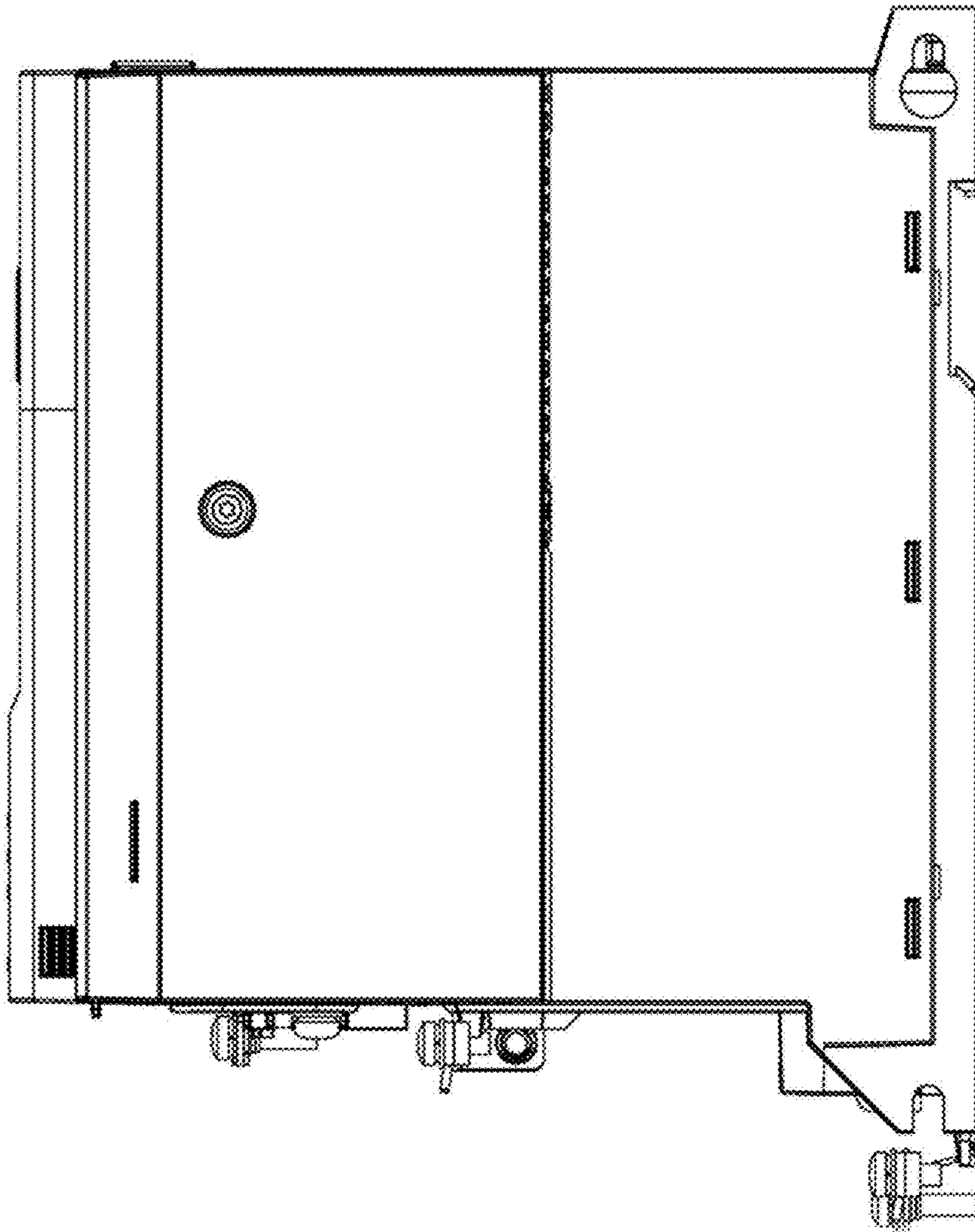


FIGURE 6

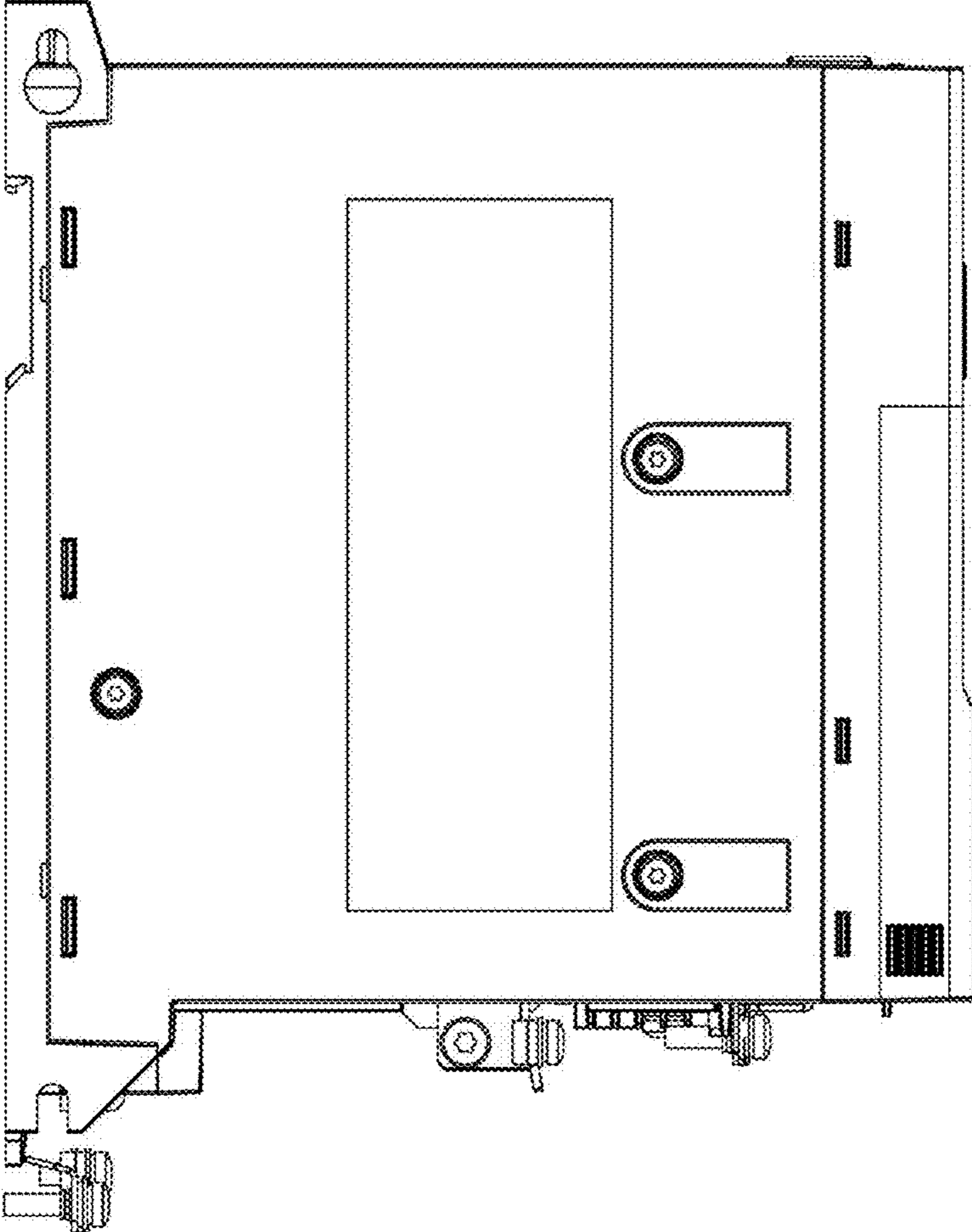


FIGURE 7

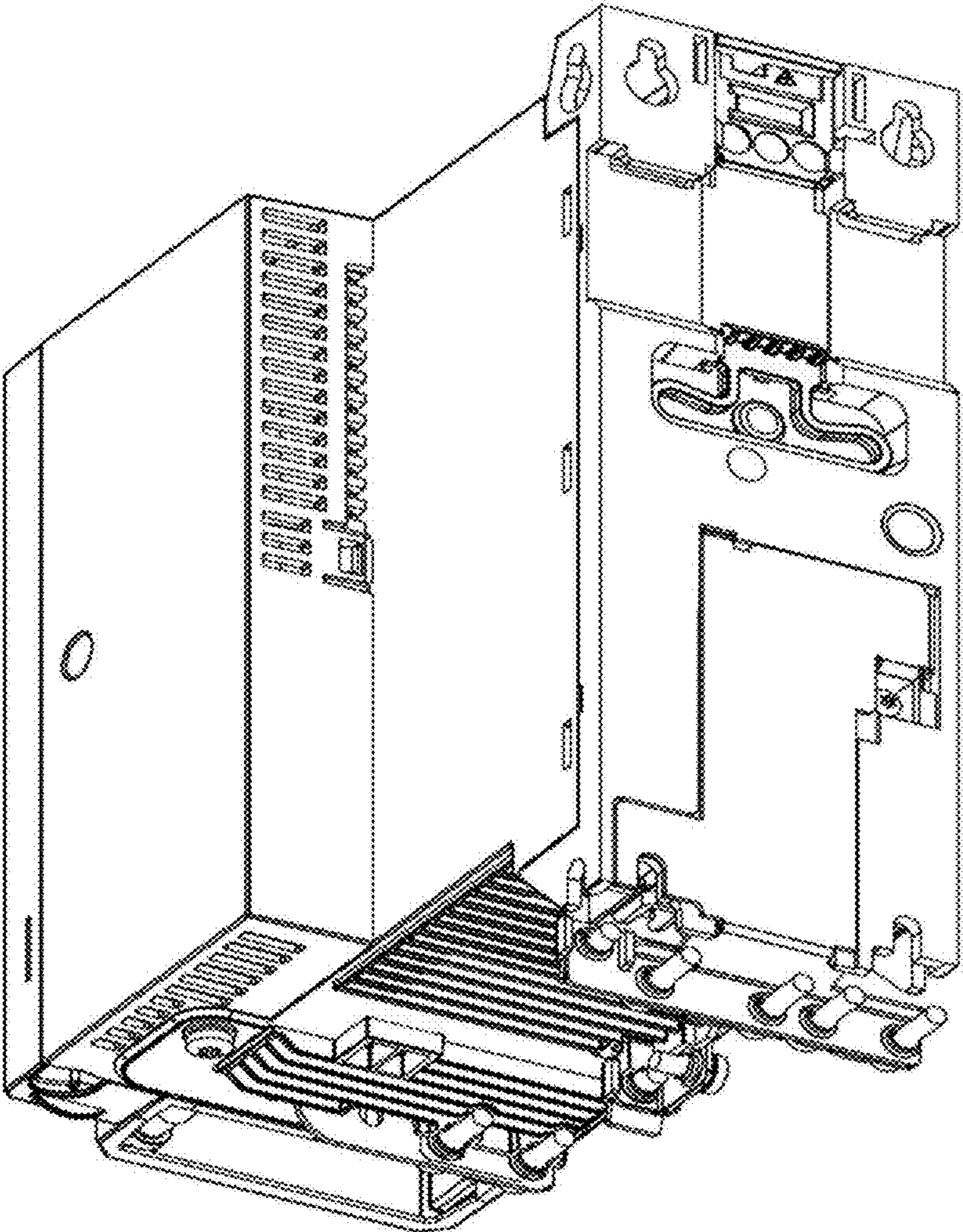


FIGURE 8