



US00D771560S

(12) **United States Design Patent** (10) **Patent No.:** **US D771,560 S**  
**Sweeney** (45) **Date of Patent:** **\*\* Nov. 15, 2016**

(54) **SOLAR PANEL ELECTRICAL CONNECTOR**

(56) **References Cited**

(71) Applicant: **IlSCO Corporation**, Cincinnati, OH  
(US)

(72) Inventor: **Thomas M. Sweeney**, Cincinnati, OH  
(US)

(73) Assignee: **IlSCO Corporation**, Cincinnati, OH  
(US)

(\*\*) Term: **15 Years**

(21) Appl. No.: **29/542,543**

(22) Filed: **Oct. 15, 2015**

U.S. PATENT DOCUMENTS

2,385,209 A	7/1966	Joyce	
3,260,986 A	7/1966	Staffel	
3,585,571 A	6/1971	Davis et al.	
4,384,753 A	5/1983	Mixon, Jr.	
4,784,621 A	11/1988	Auclair	
5,199,905 A	4/1993	Fillinger	
5,240,423 A	8/1993	Morrison	
D344,598 S *	2/1994	Ehmke	D25/124
D364,792 S *	12/1995	Yoder	D12/223

(Continued)

FOREIGN PATENT DOCUMENTS

WO	2009/094320 A2	7/2009
----	----------------	--------

OTHER PUBLICATIONS

Erico®, Solar Bonding Lugs, internet printout, Aug. 9, 2010, 2 pgs.

(Continued)

**Related U.S. Application Data**

(62) Division of application No. 29/481,913, filed on Feb. 12, 2014, now Pat. No. Des. 745,846, and a division of application No. 13/409,472, filed on Mar. 1, 2012, now abandoned.

(51) **LOC (10) Cl.** ..... **13-02**

(52) **U.S. Cl.**  
USPC ..... **D13/102**

(58) **Field of Classification Search**

USPC ..... D13/102, 118, 184, 199; D8/349, 354, D8/355, 356; D25/119, 123, 124, 125; 52/173.3, 460; 126/573, 580; 136/206, 136/244-251, 256, 291, 292; 248/205.1, 248/316.4; 439/92, 567, 625, 733.1, 797

CPC ..... F24J 2/52; F24J 2/464; F24J 2/5211; F24J 2/5245; F24J 2/5256; F24J 2/5258; H01L 31/05; H01L 31/042; H01R 4/36; H01R 4/66; H01R 13/621; H01R 24/00; H01R 11/11; H01R 11/15; B21D 39/00; F16B 2/02; F16B 2/065; F16B 2/20; F16B 2/24

See application file for complete search history.

*Primary Examiner* — Derrick Holland  
(74) *Attorney, Agent, or Firm* — Wood Herron & Evans LLP

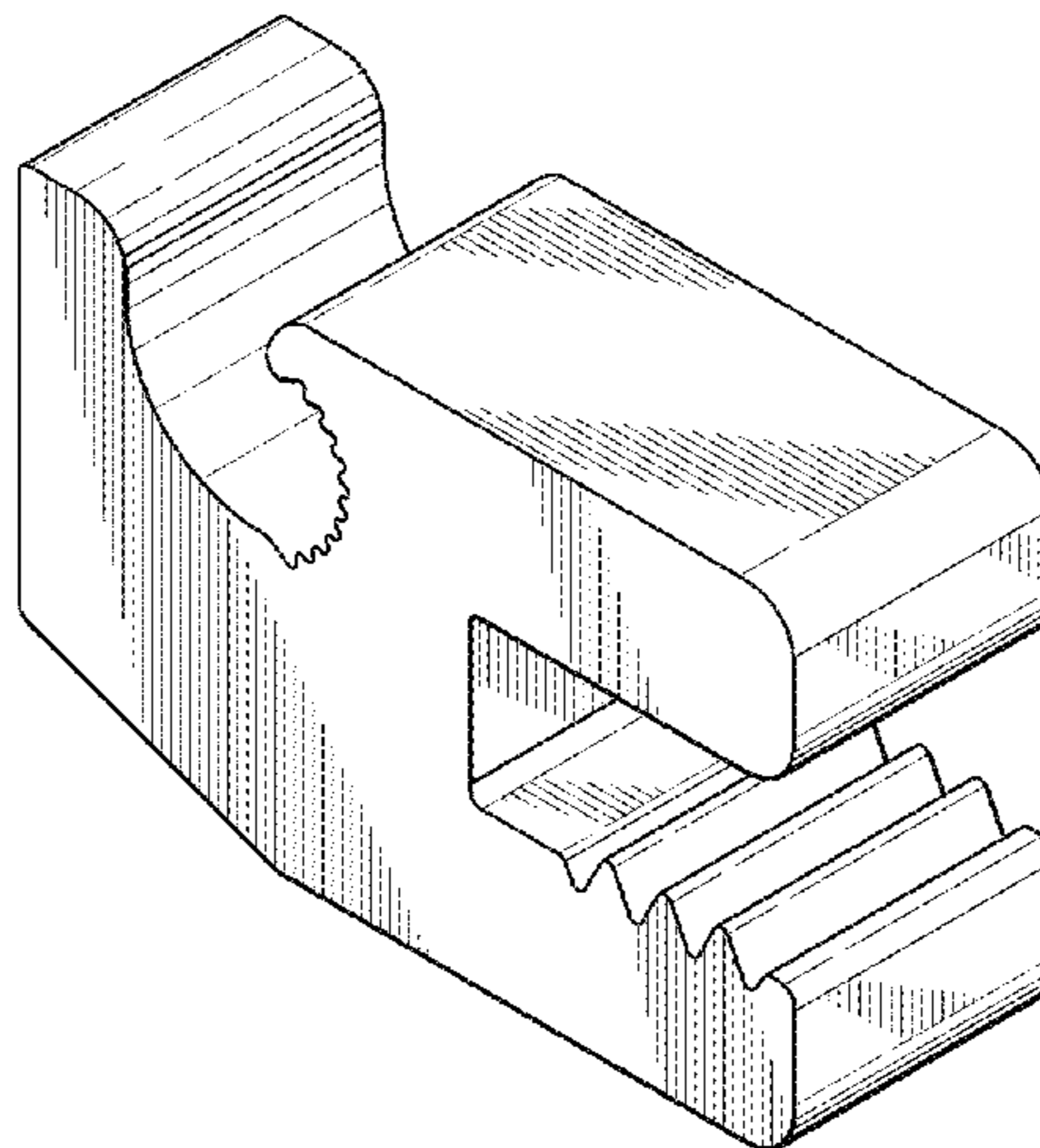
(57) **CLAIM**

The ornamental design for a solar panel electrical connector, as shown and described.

**DESCRIPTION**

FIG. 1 is an isometric view of a solar panel electrical connector showing my new design;  
 FIG. 2 is a second isometric view thereof;  
 FIG. 3 is a front view thereof;  
 FIG. 4 is a back view thereof;  
 FIG. 5 is a right side view thereof;  
 FIG. 6 is a left side view thereof;  
 FIG. 7 is a top plan view thereof; and,  
 FIG. 8 is a bottom plan view thereof.  
 The broken lines shown represent unclaimed subject matter and form no part of the claimed design.

**1 Claim, 3 Drawing Sheets**



(56)

References Cited

U.S. PATENT DOCUMENTS

5,928,006 A 7/1999 Franks, Jr.  
6,494,726 B1 12/2002 Auclair  
6,992,256 B1 1/2006 Wiley et al.  
7,044,776 B2 5/2006 King, Jr. et al.  
D547,262 S \* 7/2007 Ullman ..... D13/102  
7,537,494 B1 5/2009 Umlauf  
7,566,250 B1 7/2009 Good  
7,625,238 B2 12/2009 Duesterhoeft  
7,670,153 B2 3/2010 Kulig  
7,677,932 B2 3/2010 King, Jr. et al.  
7,735,270 B2 6/2010 Olle et al.  
7,780,472 B2 8/2010 Lenox  
D627,717 S \* 11/2010 Munoz ..... D13/102  
7,862,390 B2 \* 1/2011 Copper ..... H01R 4/5091  
439/781

D673,904 S \* 1/2013 Kobayashi ..... D13/102  
9,196,978 B2 11/2015 Magno  
2007/0248434 A1 10/2007 Wiley et al.  
2008/0149170 A1 6/2008 Hanoka  
2009/0184222 A1 7/2009 Osborn et al.  
2011/0151703 A1 6/2011 Parker et al.  
2014/0042286 A1 2/2014 Jaffari

OTHER PUBLICATIONS

Wiley Electronics LLC, Acme PV Peripherals, internet printout, undated, 2 pgs.  
O-Z/Gedney, Ground Fittings, MA5, Dec. 2007, 5 pgs.  
O-Z/Gedney, Grounding Fittings Catalog, MA1-MA9, Nov. 2005, 9 pgs.

\* cited by examiner

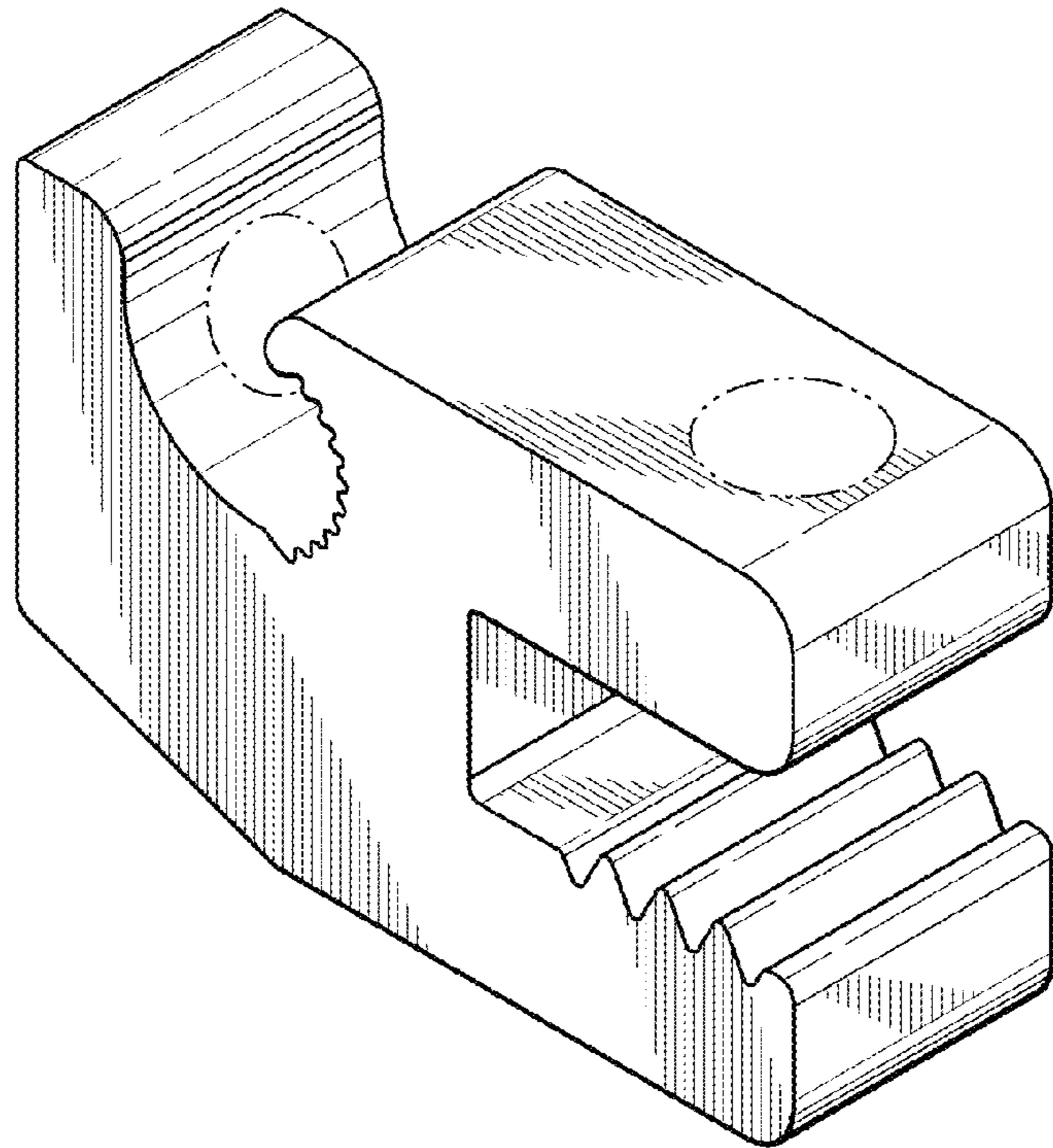


FIG. 1

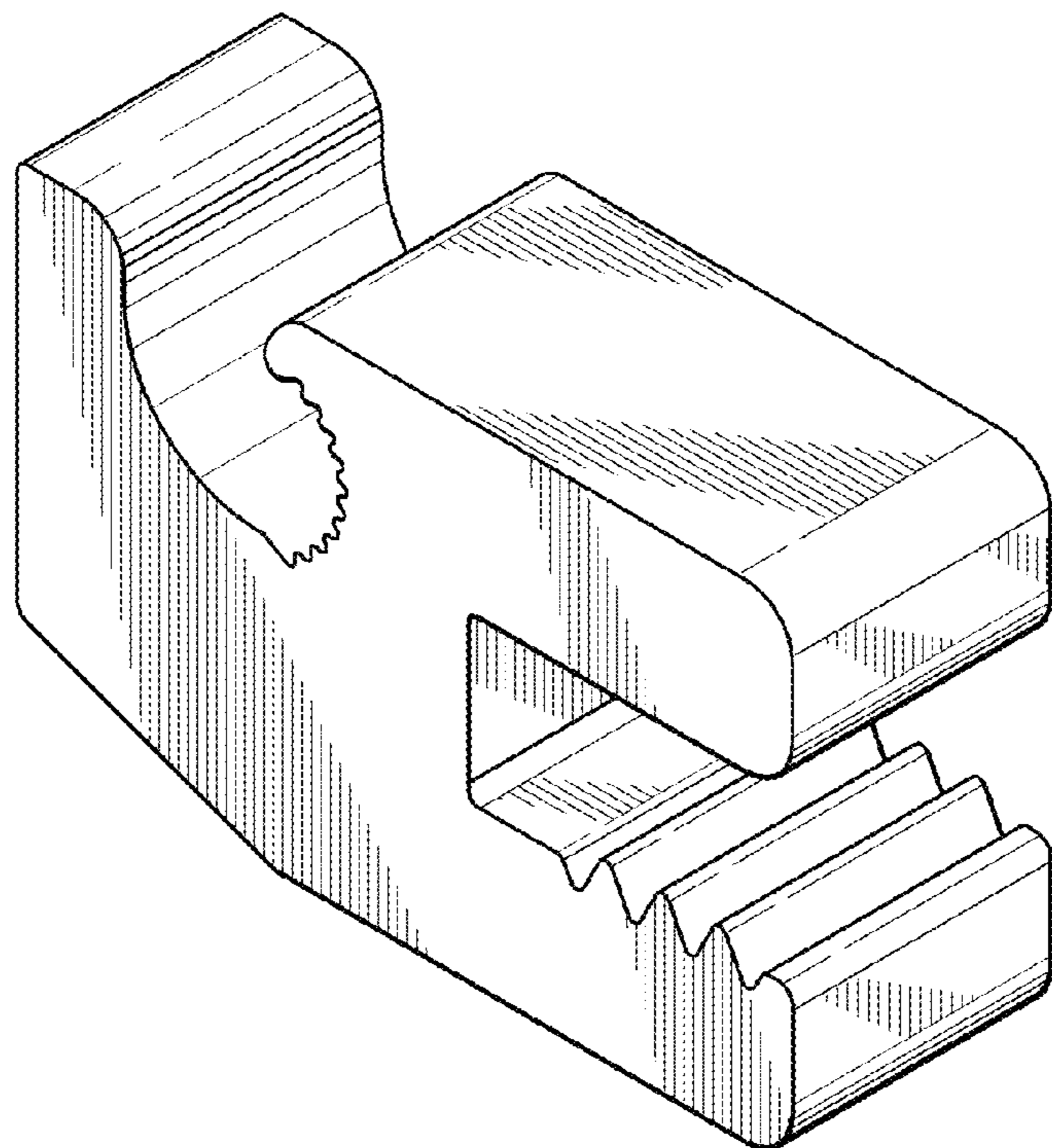


FIG. 2

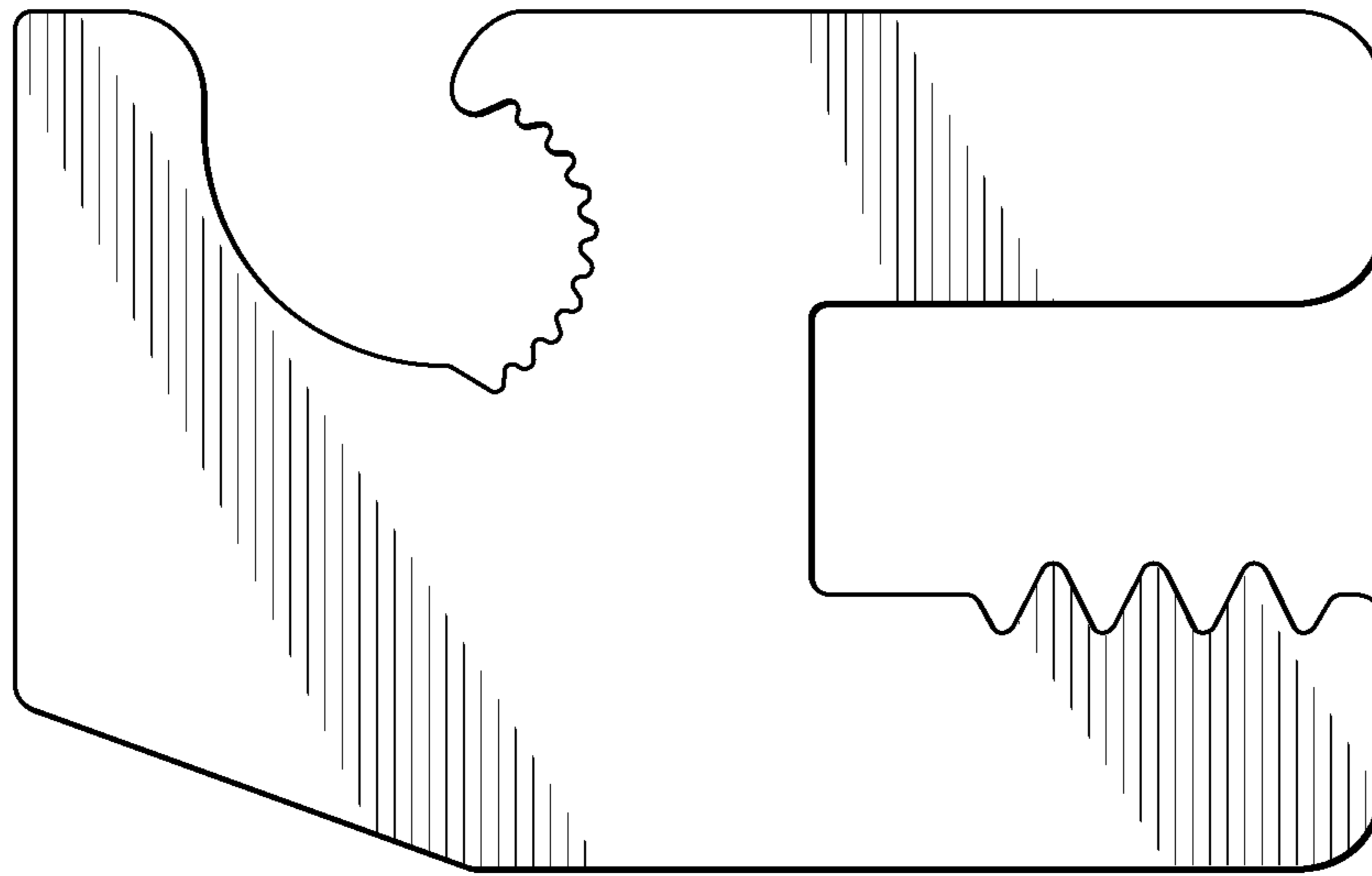


FIG. 3

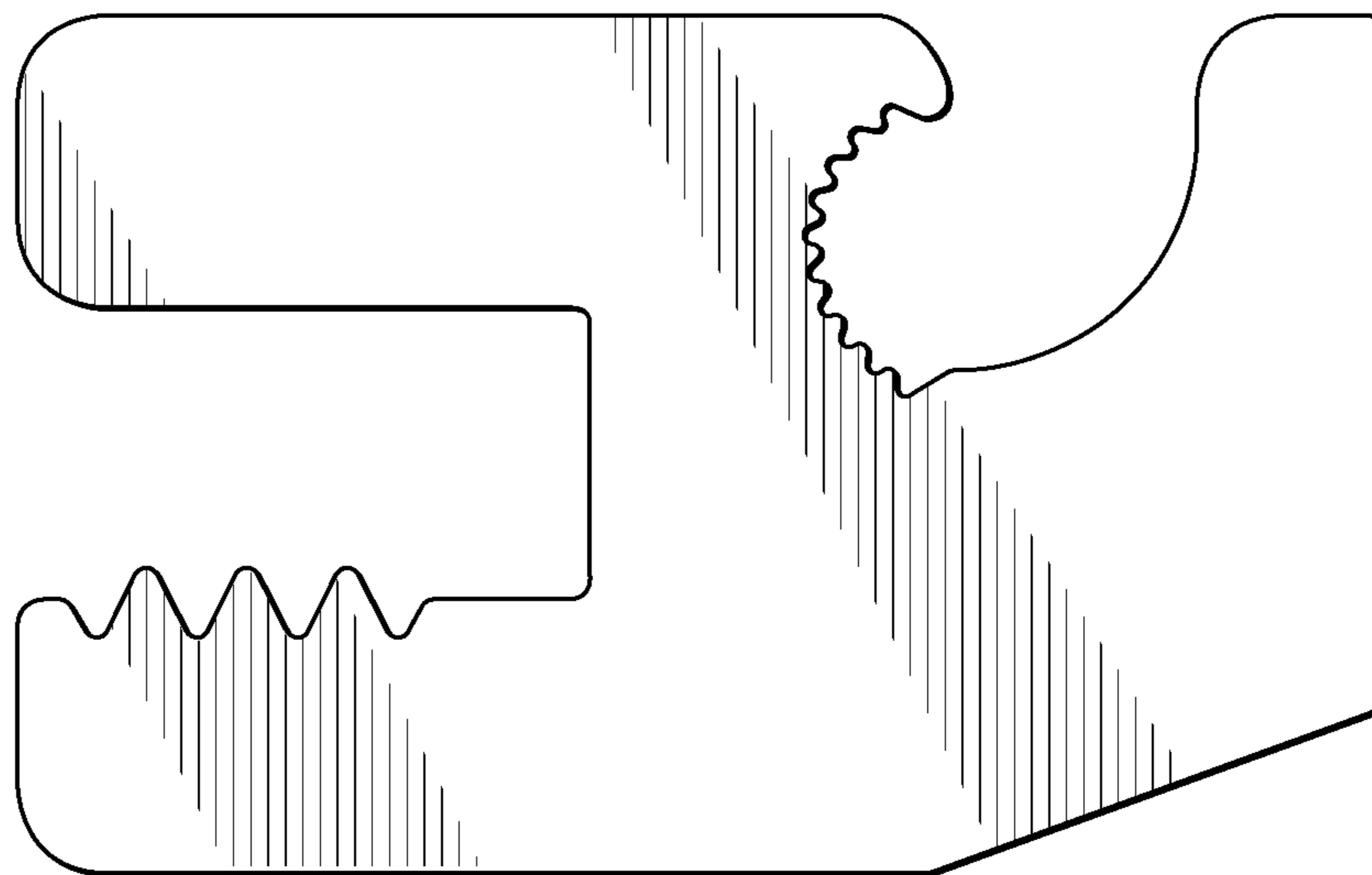


FIG. 4

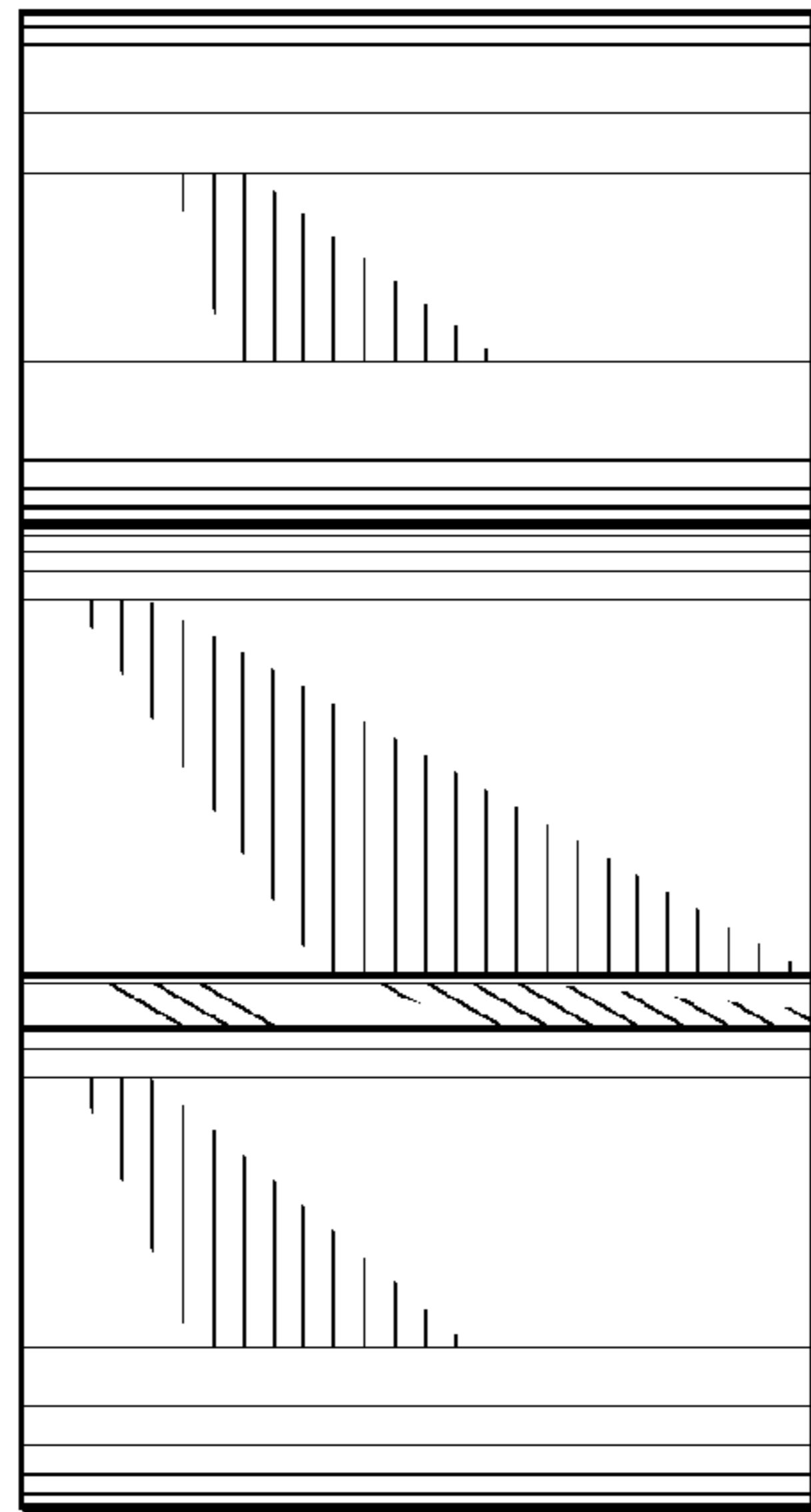


FIG. 5

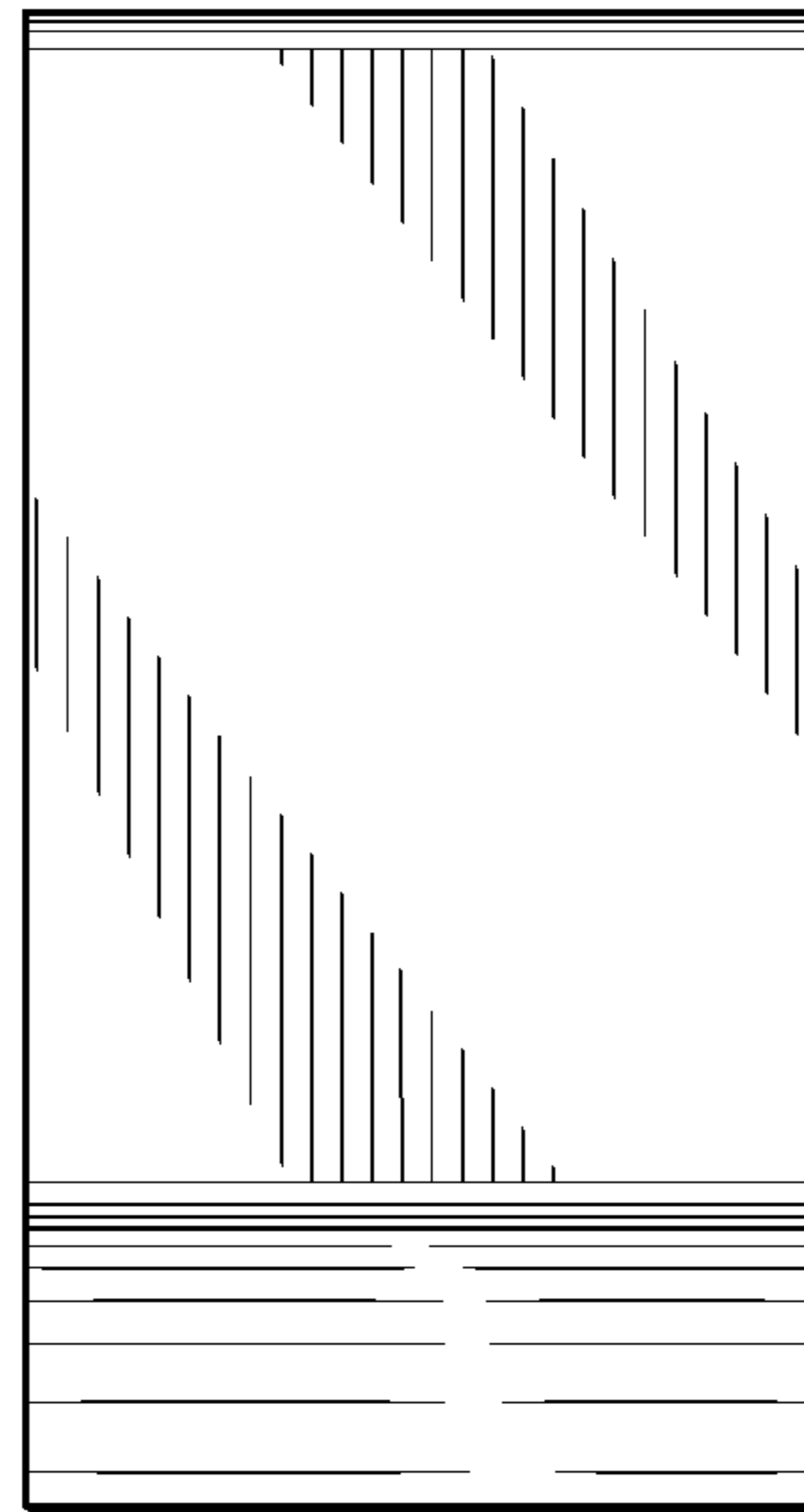


FIG. 6

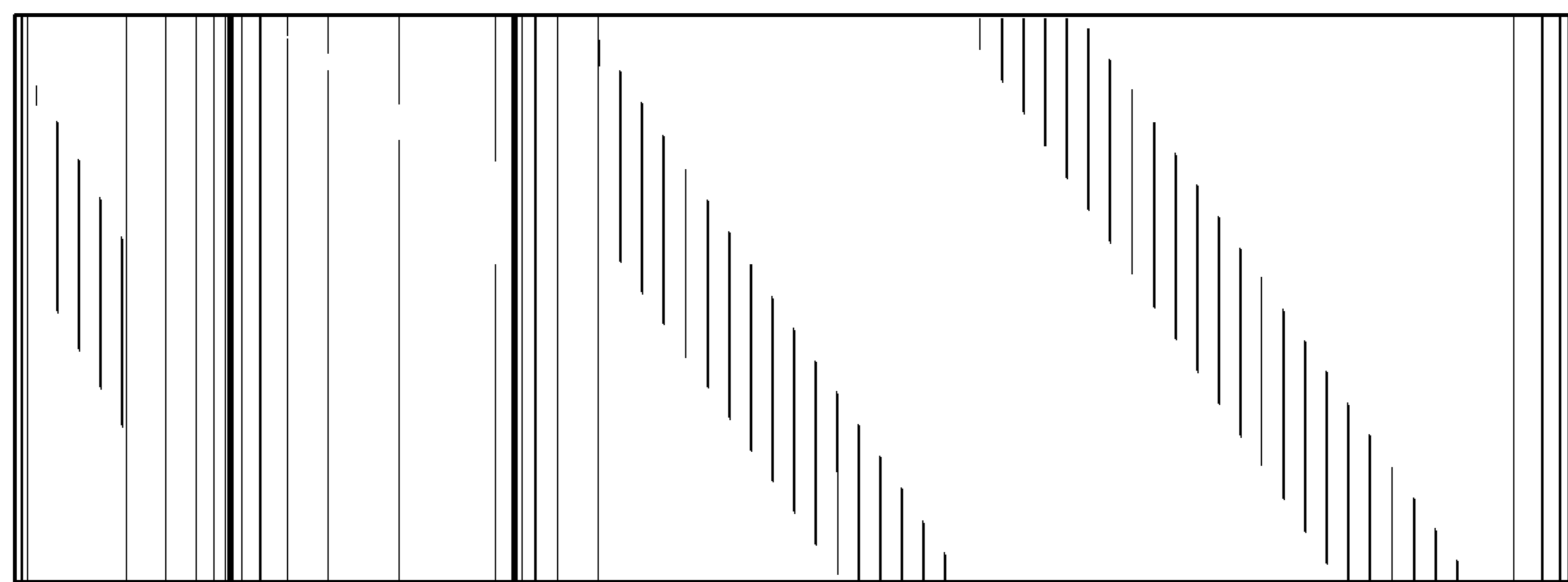


FIG. 7

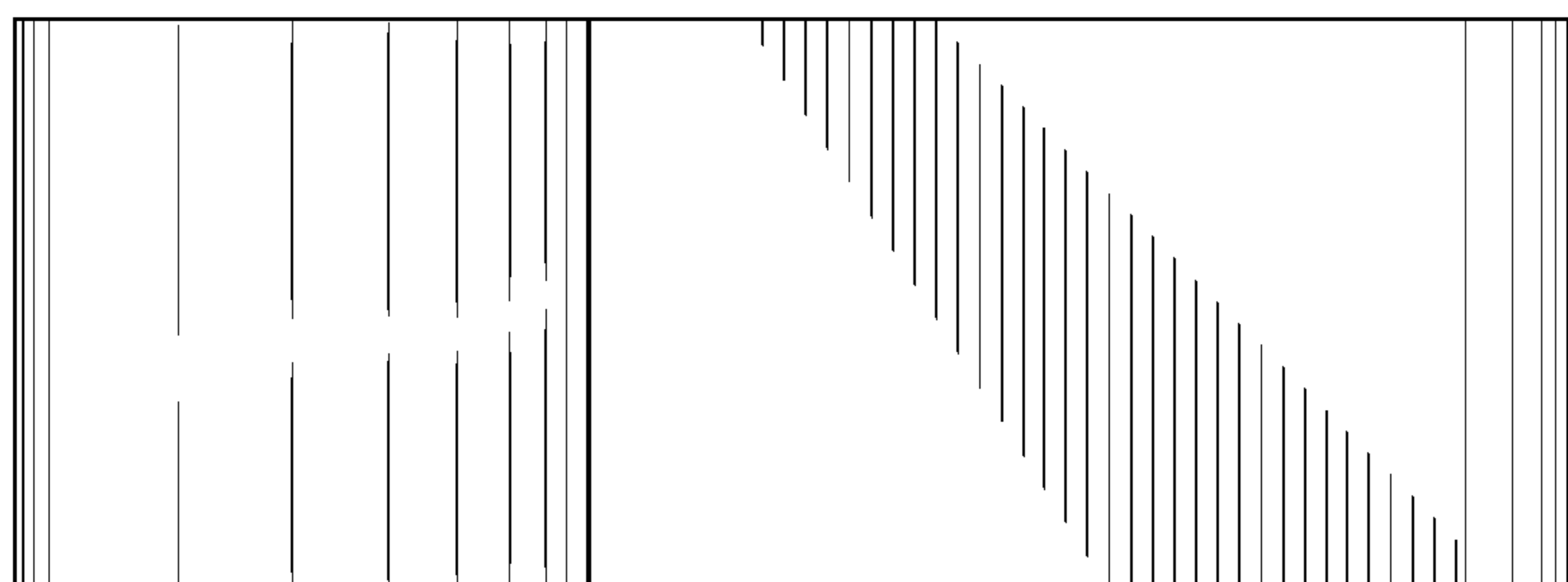


FIG. 8