



US00D771555S

(12) **United States Design Patent**
Neary et al.

(10) **Patent No.:** **US D771,555 S**

(45) **Date of Patent:** **** Nov. 15, 2016**

- (54) **TIRE**
- (71) Applicant: **The Goodyear Tire & Rubber Company, Akron, OH (US)**
- (72) Inventors: **Ryan Joseph Neary, Stow, OH (US); Amanda Gari McGee, Copley, OH (US); Jonathan James Shondel, Massillon, OH (US)**
- (73) Assignee: **The Goodyear Tire & Rubber Company, Akron, OH (US)**
- (**) Term: **15 Years**
- (21) Appl. No.: **29/534,027**
- (22) Filed: **Jul. 24, 2015**
- (51) **LOC (10) Cl.** **12-15**
- (52) **U.S. Cl.**
USPC **D12/584**
- (58) **Field of Classification Search**
USPC D12/568-604, 900
CPC B60C 1/0016; B60C 11/0306; B60C 11/0302; B60C 3/06; B60C 9/17
See application file for complete search history.

- D659,633 S 5/2012 Bindner et al. D12/521
- D665,335 S 8/2012 Baumard et al. D12/517
- D665,730 S 8/2012 Yoshimura D12/584
- D668,600 S 10/2012 Pingonat et al. D12/584
- D673,109 S * 12/2012 Miyazaki D12/584
- D688,196 S * 8/2013 Fujita D12/585
- D700,884 S 3/2014 Herbeuval et al. D12/584

(Continued)

Primary Examiner — Robert M Spear

Assistant Examiner — John Voytek

(74) *Attorney, Agent, or Firm* — Edward T. Kennedy

(57) **CLAIM**

The ornamental design for a tire, as shown and described.

DESCRIPTION

FIG. 1 is a perspective view of a tire showing our new design, it being understood that the pattern repeats uniformly throughout the circumference of the tread;

FIG. 2 is a front elevational view thereof;

FIG. 3 is a right side elevational view thereof; the opposite side elevational view being identical thereto;

FIG. 4 is an enlarged fragmentary front elevational view thereof;

FIG. 5 is a perspective view of a second embodiment of a tire showing our new design, it being understood that the pattern repeats uniformly throughout the circumference of the tread and that the opposite side view is identical thereto; and,

FIG. 6 is a front elevational view of a second embodiment, it being understood that an enlarged fragmentary view thereof would be substantially identical to that shown in FIG. 4, with the exception of the inclusion of the sidewall in the claim.

In the drawings, the broken lines showing of the sidewall, inner bead and the peripheral boundary between the tire tread and the sidewall in FIGS. 1 through 4 depict environmental subject matter and form no part of the claimed design.

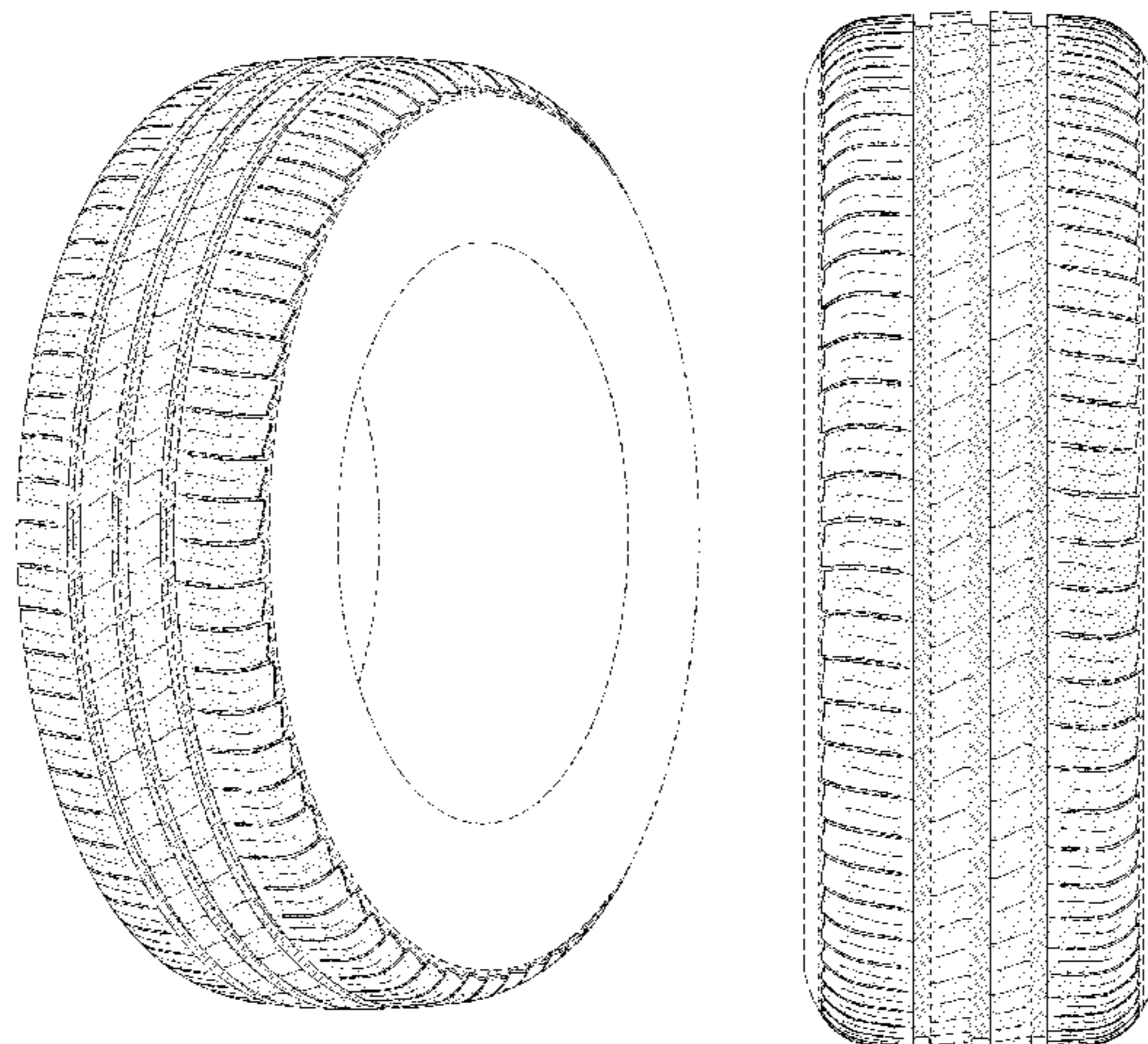
The dark stippled surface shading represents the recessed portion of the tread grooves having a depth as best shown in FIG. 2.

1 Claim, 6 Drawing Sheets

(56) **References Cited**

U.S. PATENT DOCUMENTS

- D334,360 S 3/1993 Graas et al. D12/146
- D392,922 S 3/1998 Heinen D12/147
- D427,551 S 7/2000 Weber D12/141
- D482,323 S 11/2003 Corbin et al. D12/584
- D547,717 S 7/2007 Yamane et al. D12/585
- D581,350 S 11/2008 Froger D12/585
- D585,817 S 2/2009 Frappart D12/584
- D591,223 S 4/2009 Missik-Gaffney et al. .. D12/584
- D595,220 S 6/2009 Maxwell D12/590
- D599,276 S 9/2009 Fontaine et al. D12/519
- D600,193 S 9/2009 Nukala et al. D12/521
- D601,939 S 10/2009 Fontaine et al. D12/519
- D635,911 S 4/2011 Sieber et al. D12/521
- D641,685 S 7/2011 Youn D12/584
- D646,625 S 10/2011 Youn D12/584
- D647,033 S 10/2011 Murata et al. D12/584



US D771,555 S

Page 2

(56)

References Cited

U.S. PATENT DOCUMENTS

D708,116 S 7/2014 Caron et al. D12/523
D713,778 S 9/2014 Muthigi et al. D12/521
D721,641 S * 1/2015 Sieber D12/588

D730,270 S * 5/2015 Krier D12/584
D738,817 S * 9/2015 Kato D12/584
D744,938 S * 12/2015 Wang D12/584
D753,054 S * 4/2016 Fujita D12/585

* cited by examiner

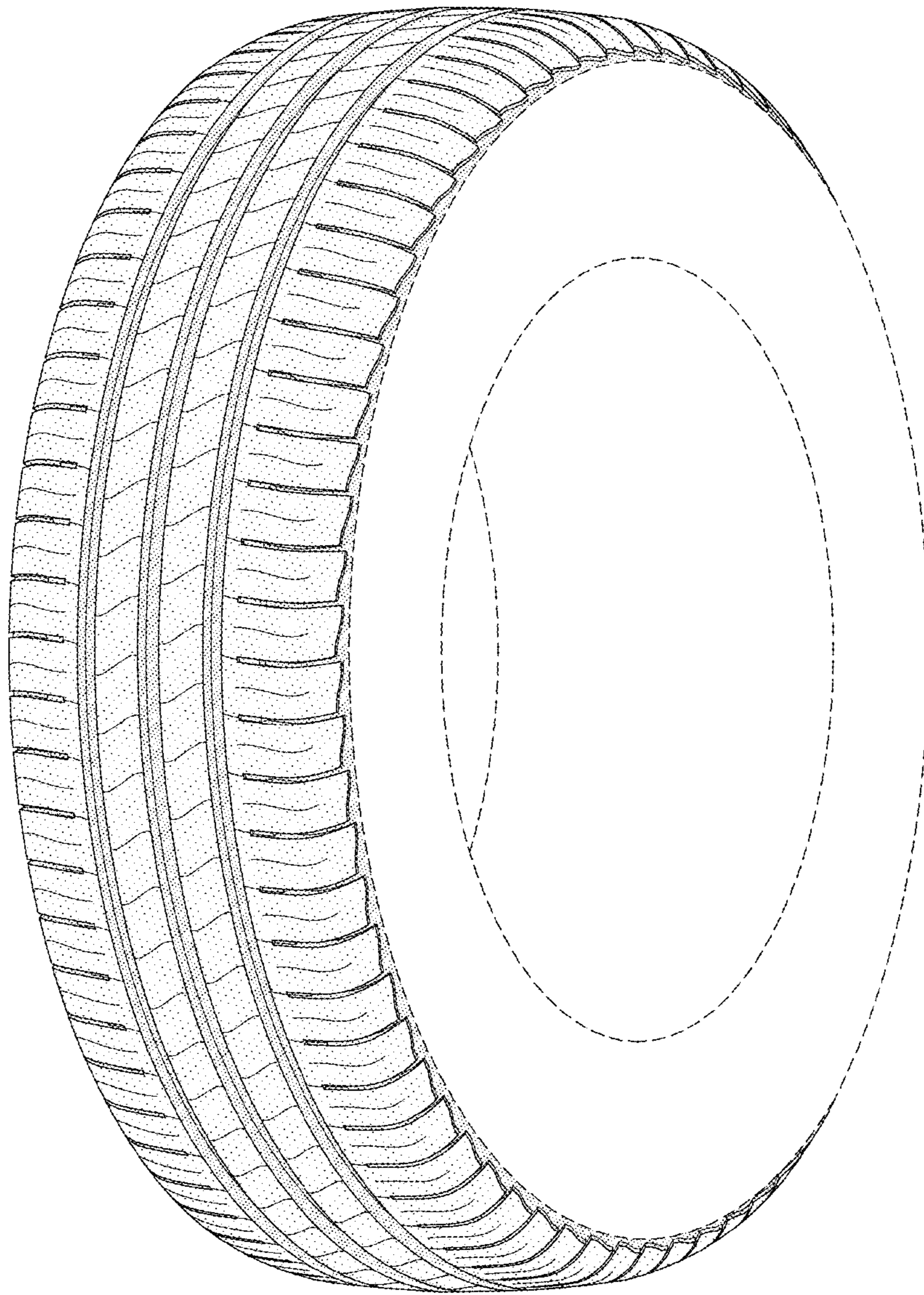


FIG-1

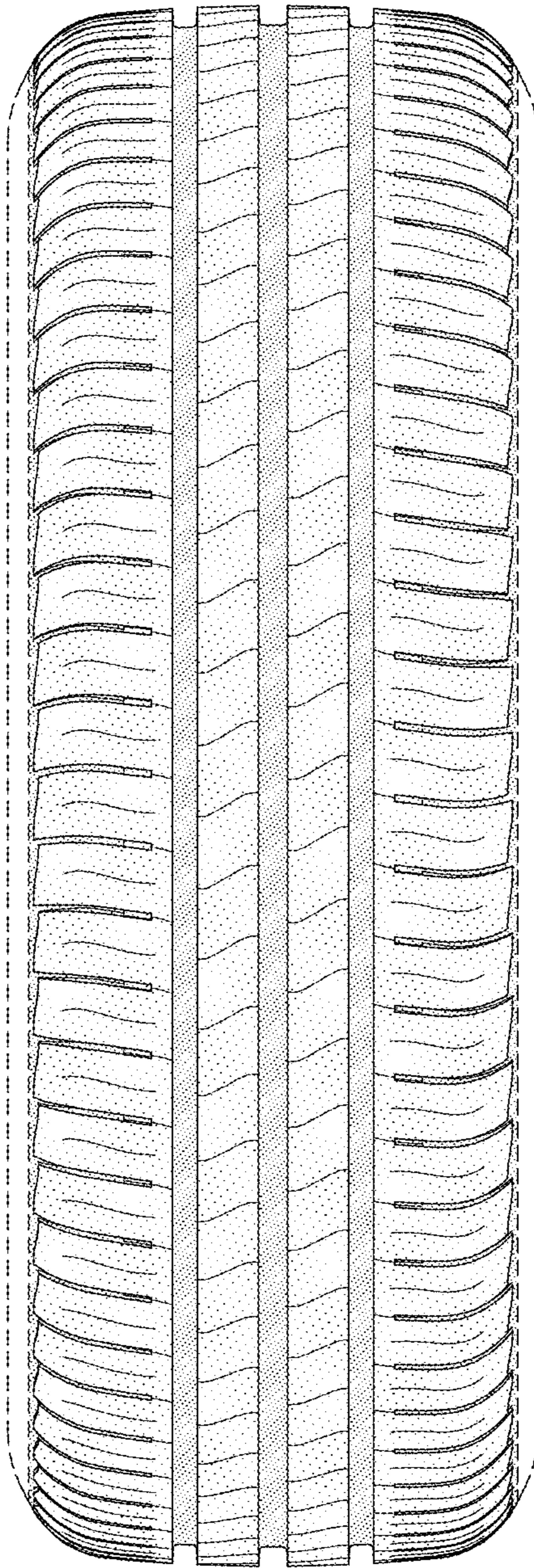


FIG-2

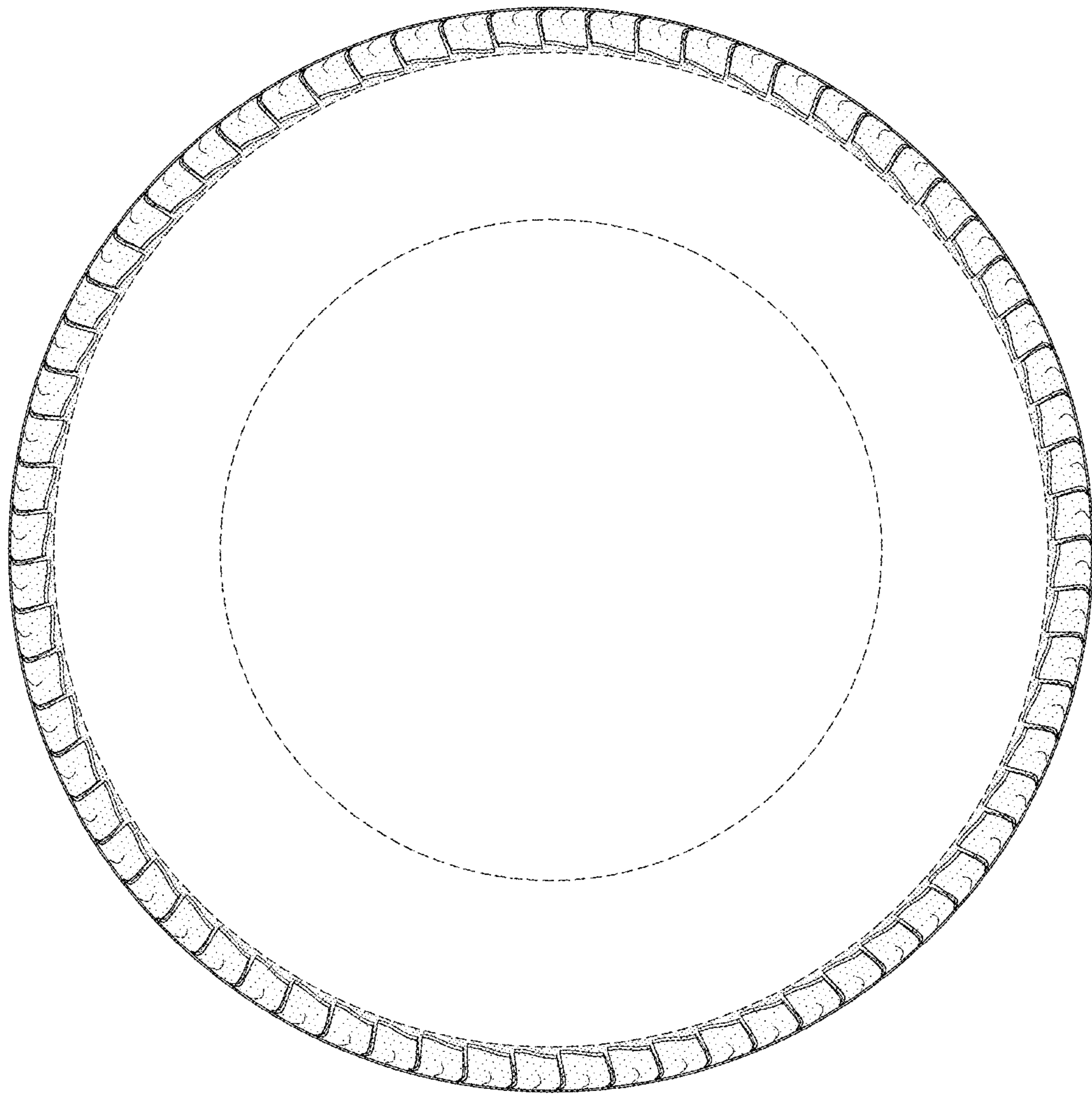


FIG-3

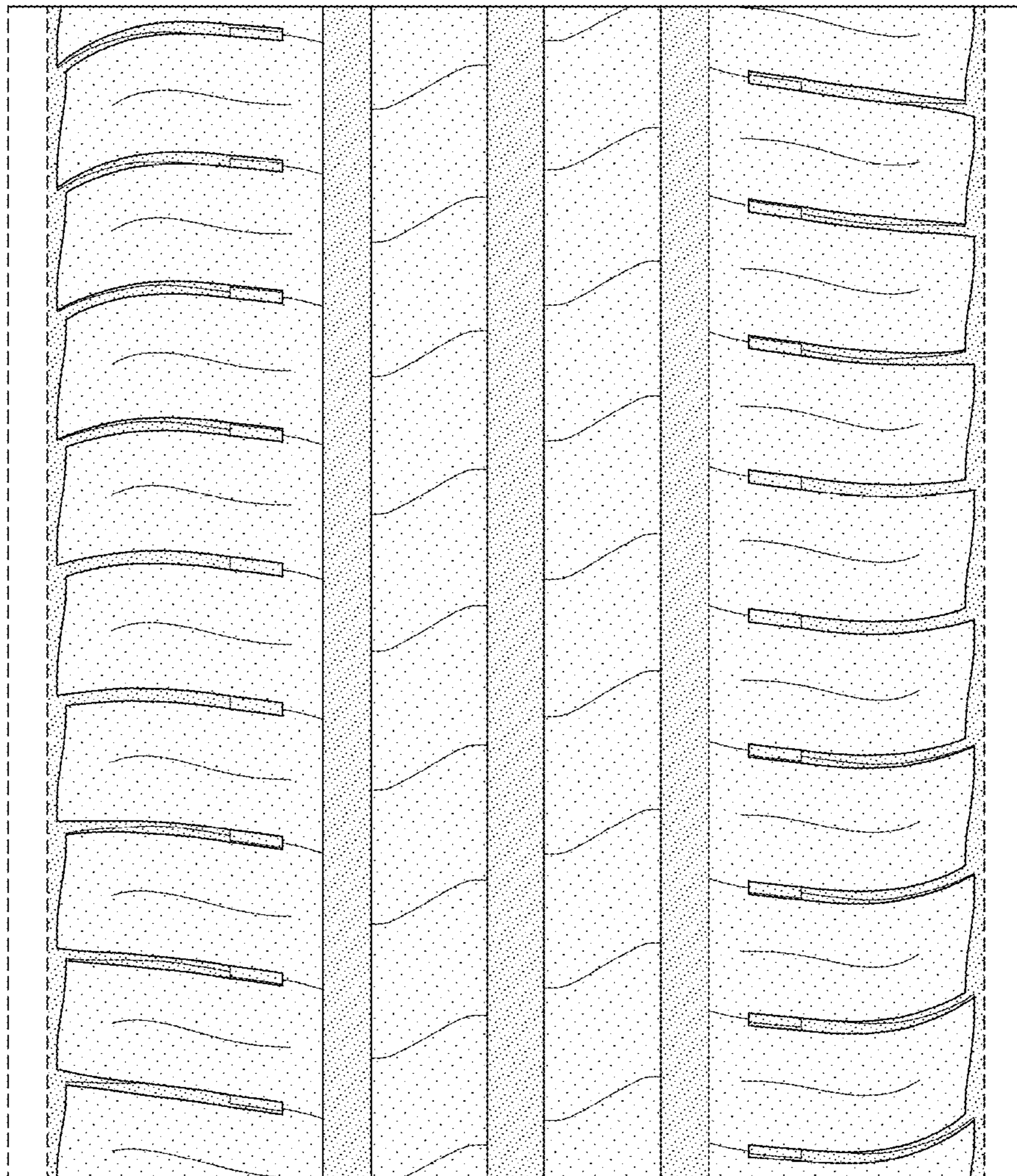


FIG-4

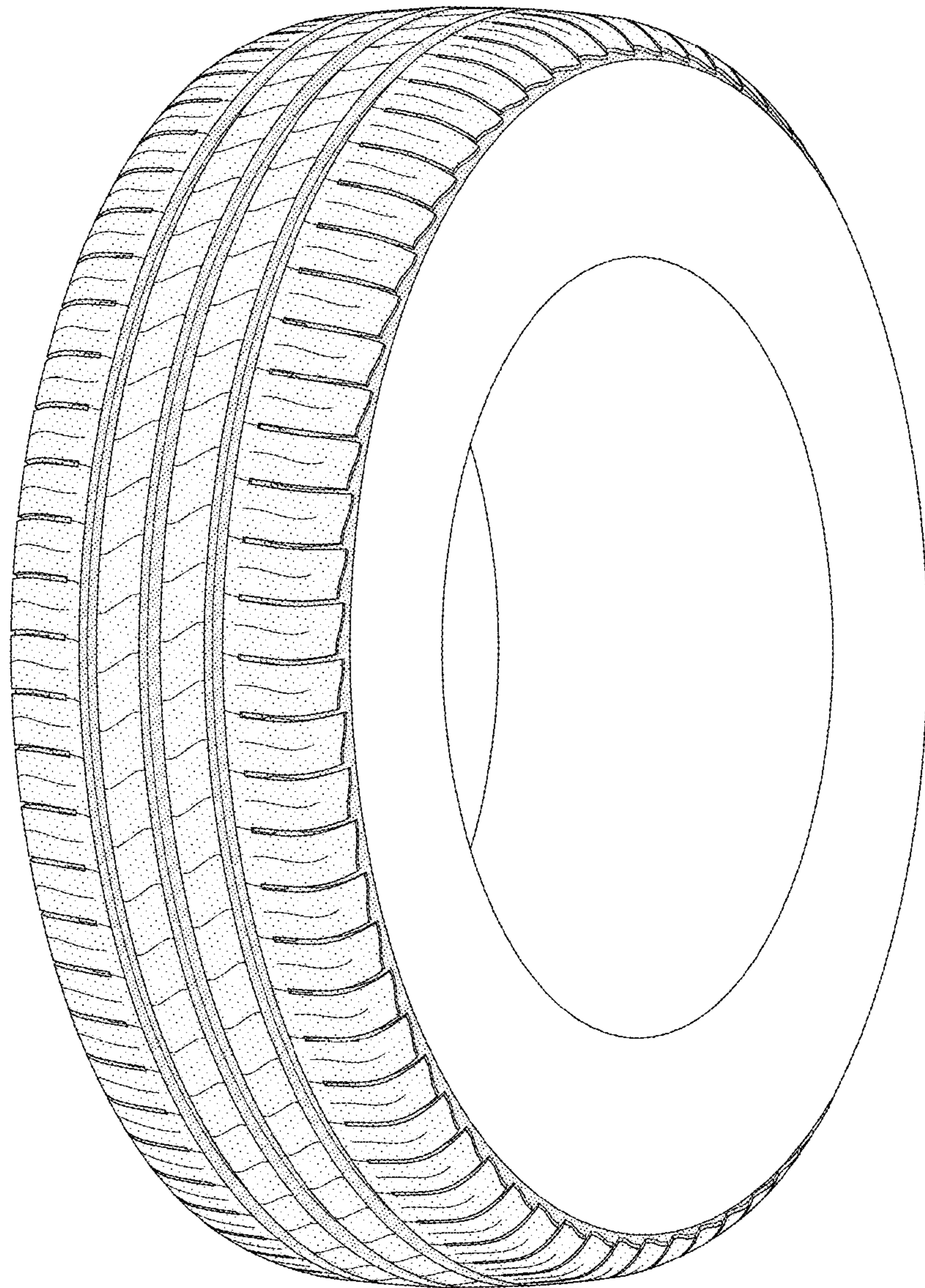


FIG-5

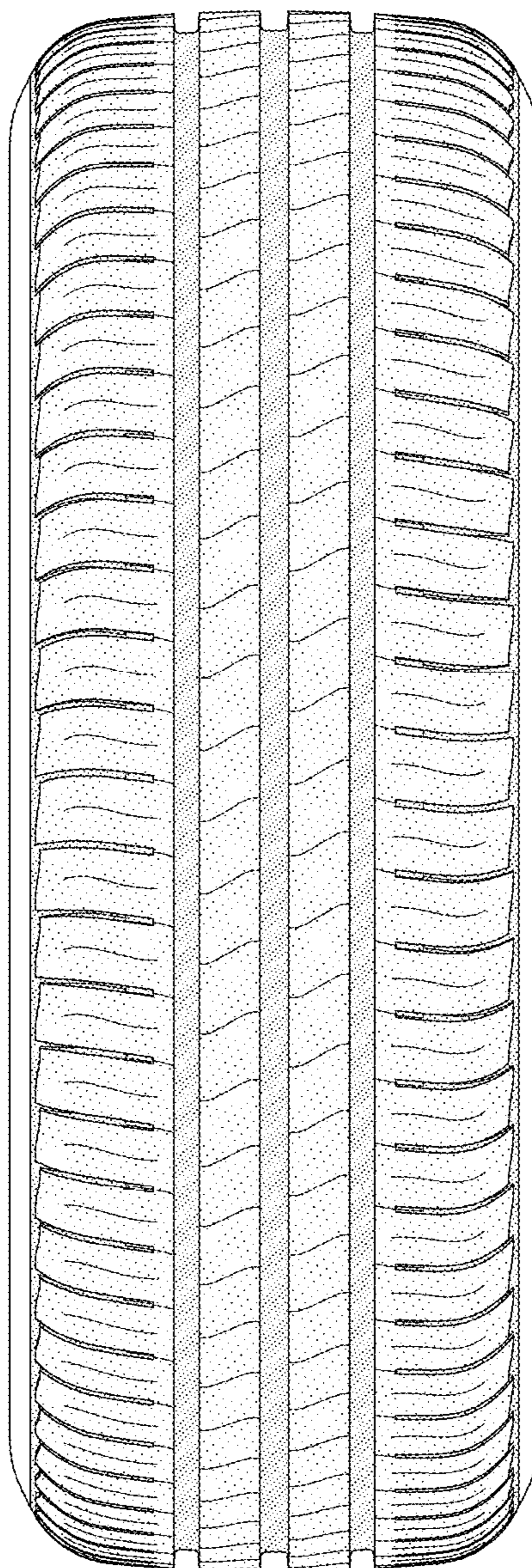


FIG-6