



US00D771550S

(12) **United States Design Patent** (10) **Patent No.:** **US D771,550 S**  
**Davis et al.** (45) **Date of Patent:** **\*\* Nov. 15, 2016**

- (54) **TIRE**
- (71) Applicant: **The Goodyear Tire & Rubber Company, Akron, OH (US)**
- (72) Inventors: **Christopher Byron Davis**, North Canton, OH (US); **Shannon Joseph Hughes**, Rootstown, OH (US); **Richard Mark Wieland**, Akron, OH (US); **John David Coots**, Wooster, OH (US); **Jonathan James Shondel**, Massillon, OH (US)
- (73) Assignee: **The Goodyear Tire & Rubber Company, Akron, OH (US)**
- (\*\*) Term: **15 Years**
- (21) Appl. No.: **29/536,589**
- (22) Filed: **Aug. 18, 2015**
- (51) **LOC (10) Cl.** ..... **12-15**
- (52) **U.S. Cl.**  
USPC ..... **D12/521; D12/901**
- (58) **Field of Classification Search**  
USPC ..... **D12/500-532, 900-901**  
CPC ..... **B60C 11/0304; B60C 11/0302; B60C 11/0306; B60C 11/0309; B60C 11/0318; B60C 11/0311; B60C 11/042; B60C 11/13; B60C 11/00; B60C 11/11; B60C 11/12**  
See application file for complete search history.

- (56) **References Cited**  
U.S. PATENT DOCUMENTS  
D456,765 S 5/2002 Weber et al. .... D12/555  
D558,128 S 12/2007 Delu et al. .... D12/521  
D560,595 S 1/2008 Bindner et al. .... D12/521  
D579,863 S 11/2008 Harvey et al. .... D12/553  
D583,305 S 12/2008 Ashton et al. .... D12/553  
D583,310 S 12/2008 Dixon et al. .... D12/588  
D586,726 S 2/2009 Baumard et al. .... D12/521  
D589,435 S 3/2009 Ashton et al. .... D12/563

- D597,474 S 8/2009 Yamakawa et al. .... D12/519
- D607,811 S 1/2010 Harvey et al. .... D12/553
- D612,324 S 3/2010 Harvey et al. .... D12/551

(Continued)

FOREIGN PATENT DOCUMENTS

JP 1174229 6/2003

OTHER PUBLICATIONS

Correspondence from Japanese agent with the notification with a translation received by Applicant on May 17, 2016.

*Primary Examiner* — Stacia Cadmus  
(74) *Attorney, Agent, or Firm* — Edward T. Kennedy

(57) **CLAIM**  
The ornamental design for a tire, as shown and described.

**DESCRIPTION**

FIG. 1 is a perspective view of a tire showing our new design, it being understood that the pattern repeats uniformly throughout the circumference of the tread;

FIG. 2 is a front elevational view thereof;

FIG. 3 is a right side elevational view thereof;

FIG. 4 is a left side elevational view thereof;

FIG. 5 is an enlarged fragmentary front elevational view thereof;

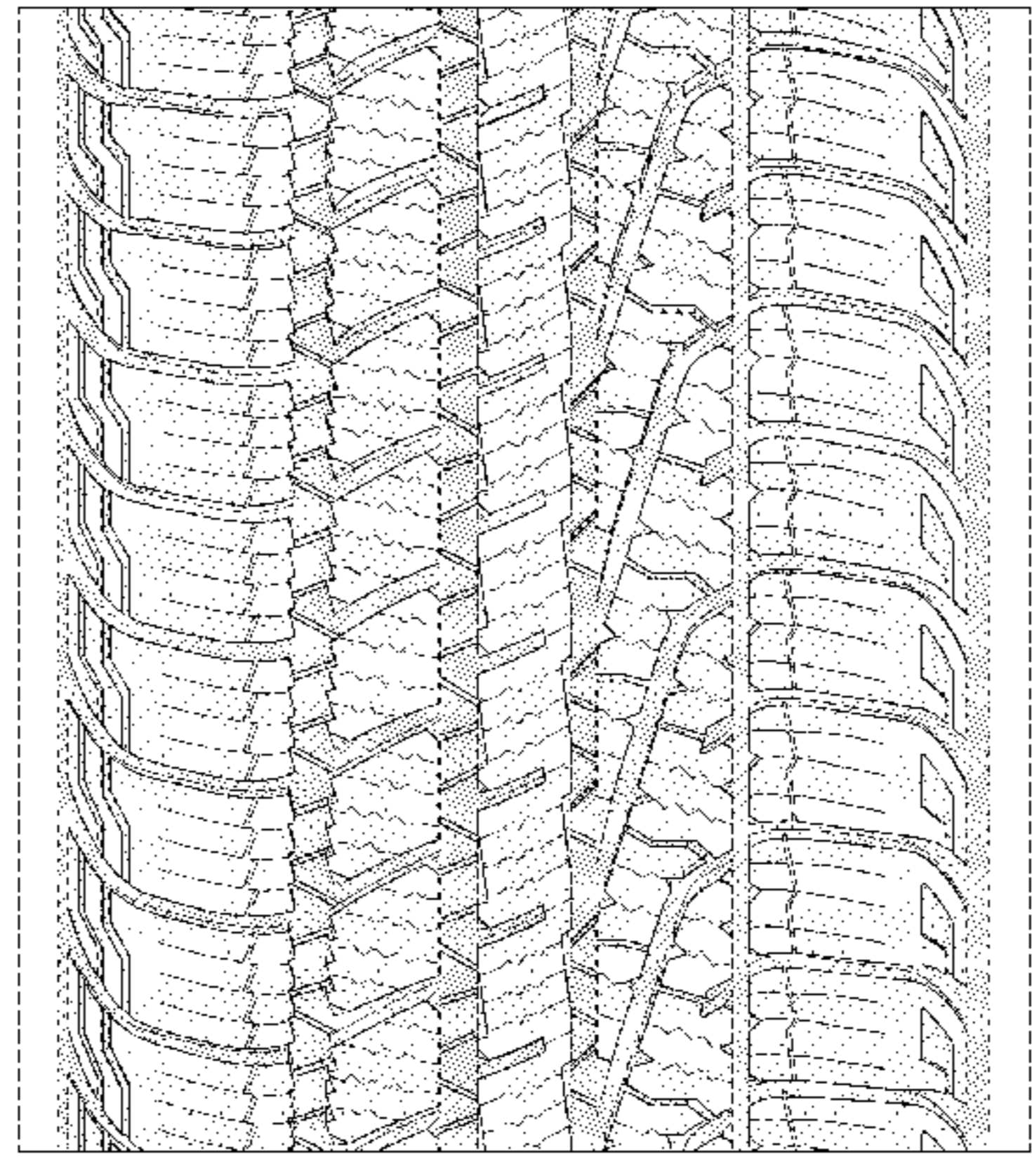
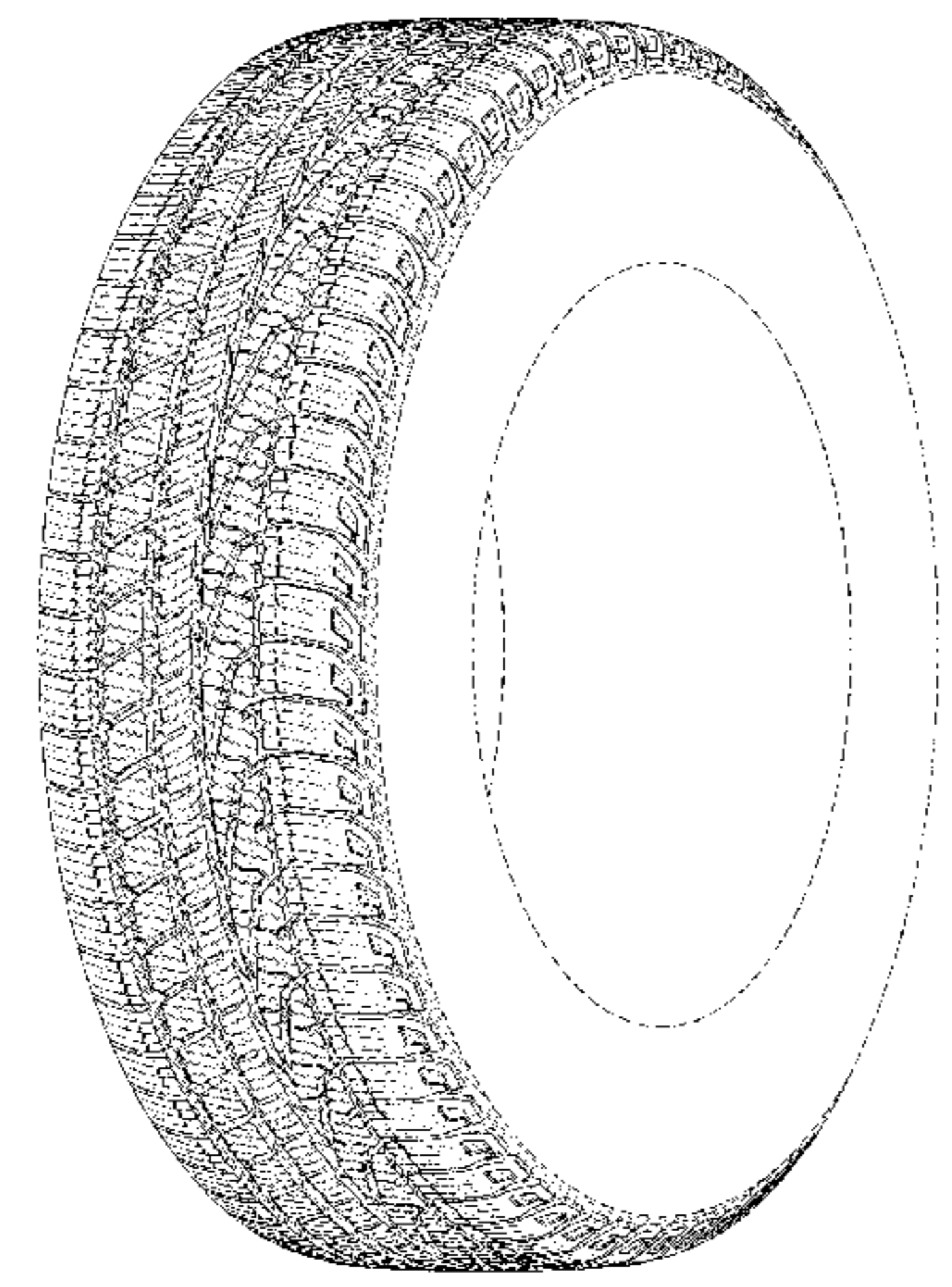
FIG. 6 is a perspective view of a second embodiment of a tire showing our new design, it being understood that the pattern repeats uniformly throughout the circumference of the tread; and,

FIG. 7 is a front elevational view of a second embodiment, it being understood that an enlarged fragmentary view thereof would be substantially identical to that shown in FIG. 5, with the exception of the inclusion of the sidewall in solid lines.

In the drawings, the broken lines showing of the sidewall, inner bead and the peripheral boundary between the tire tread and the sidewall in FIGS. 1 through 5 depict environmental subject matter and form no part of the claimed design.

The dark stippled surface shading represents the recessed portion of the tread grooves having a depth as best shown in FIG. 2.

**1 Claim, 7 Drawing Sheets**



(56)

**References Cited**

U.S. PATENT DOCUMENTS

D619,955 S 7/2010 Ashton et al. .... D12/521  
D624,872 S 10/2010 Maxwell et al. .... D12/553  
D633,434 S 3/2011 Maxwell et al. .... D12/553  
D639,719 S \* 6/2011 Harvey ..... D12/521  
D666,138 S 8/2012 Fontaine et al. .... D12/521  
D668,598 S 10/2012 Hughes et al. .... D12/521

D699,663 S \* 2/2014 Dixon ..... D12/521  
D710,787 S \* 8/2014 Dixon ..... D12/521  
D713,325 S 9/2014 Maxwell et al. .... D12/521  
D719,906 S \* 12/2014 Kato ..... D12/519  
D722,010 S \* 2/2015 Tian ..... D12/521  
D733,635 S \* 7/2015 Digman ..... D12/521  
D733,636 S \* 7/2015 Janesh ..... D12/520  
D735,637 S \* 8/2015 Hughes ..... D12/521  
D737,752 S \* 9/2015 Shondel ..... D12/521

\* cited by examiner

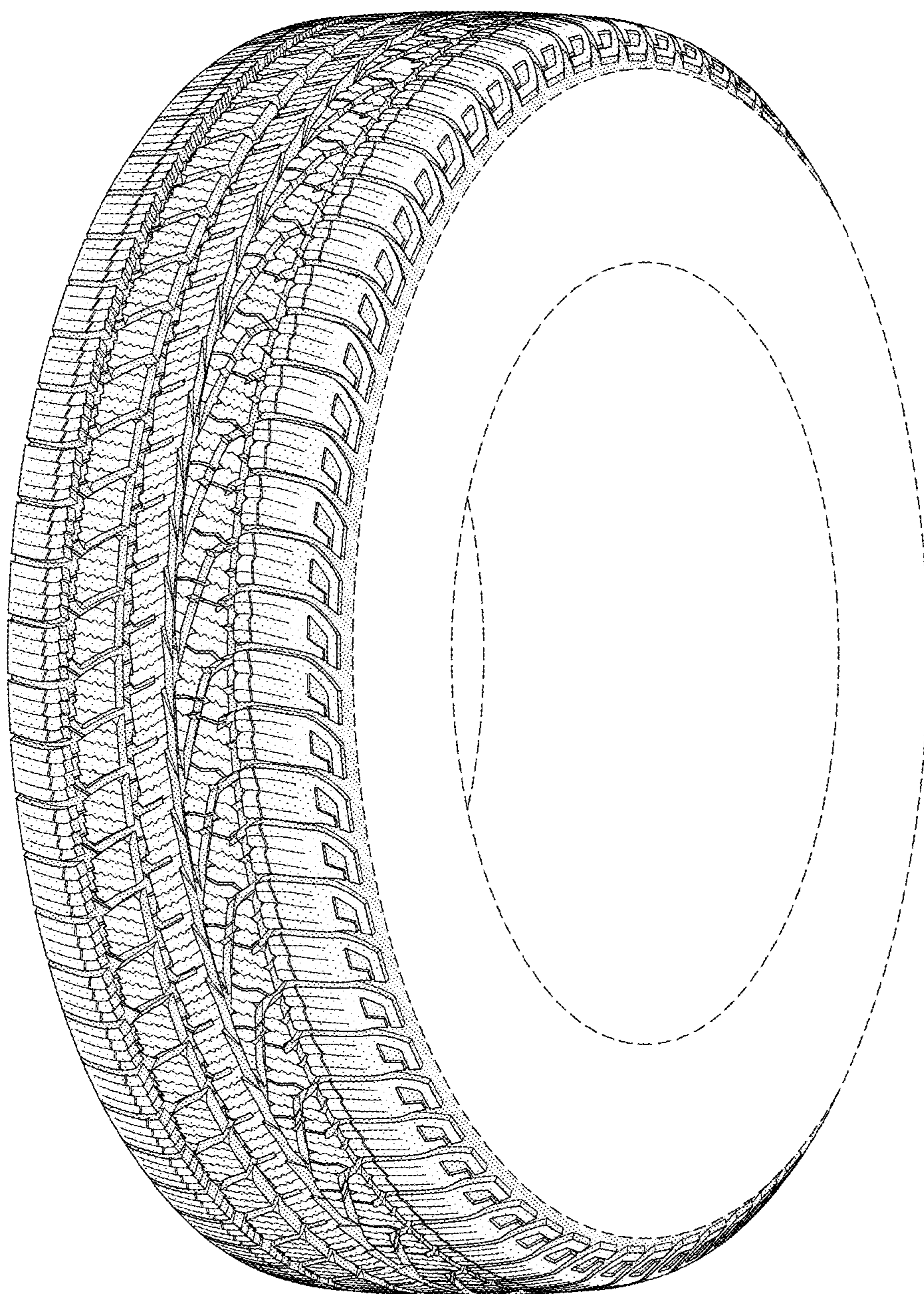


FIG-1

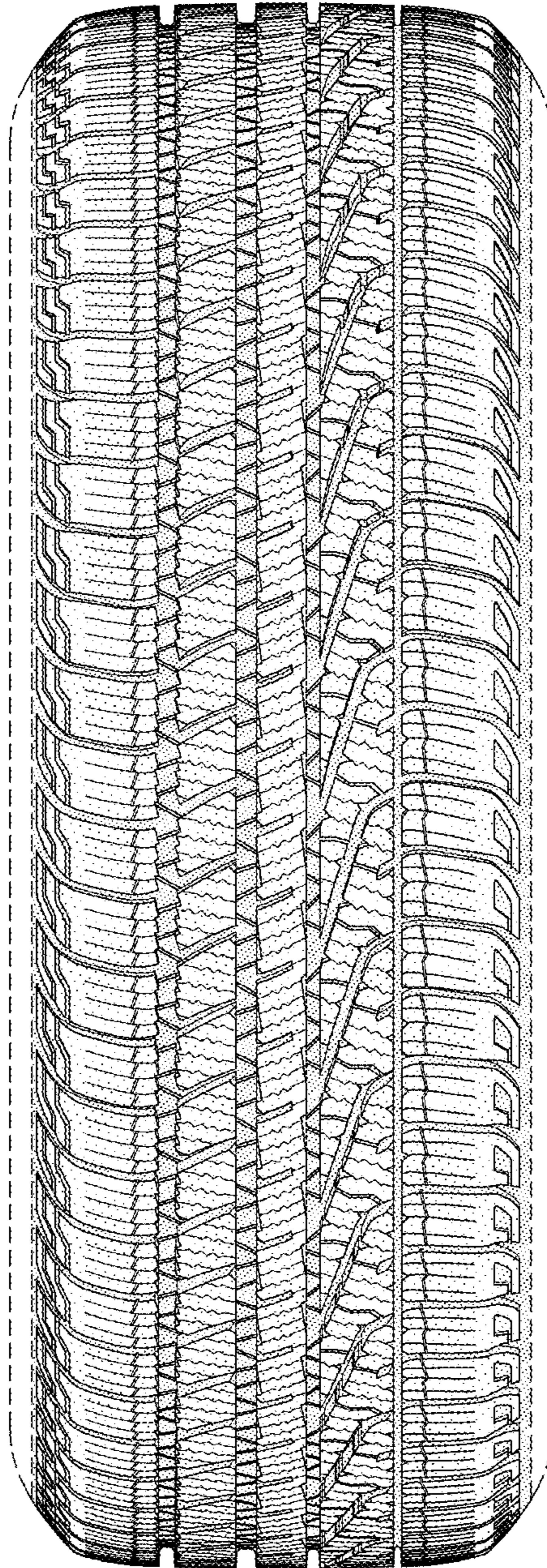


FIG-2

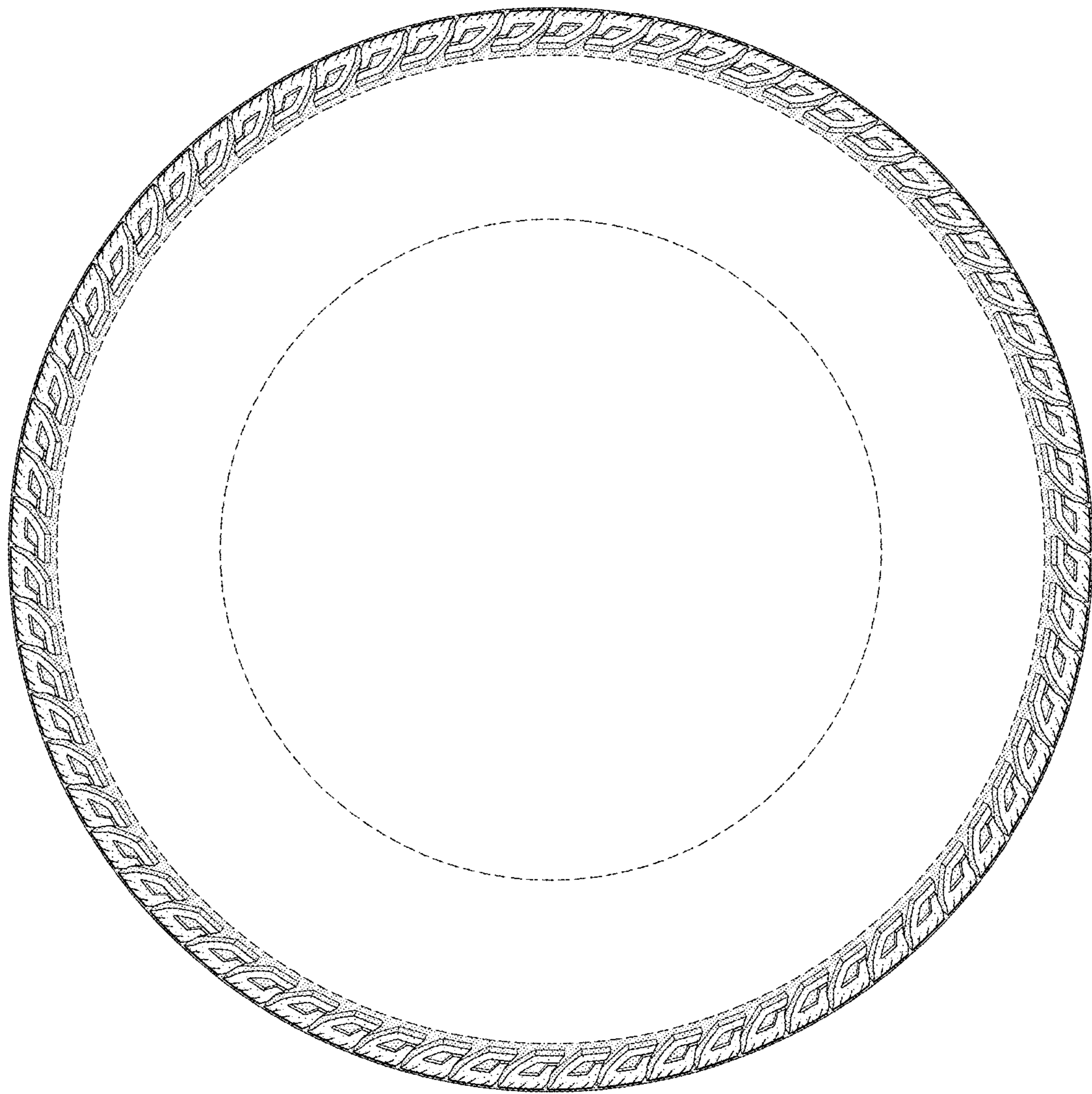


FIG-3

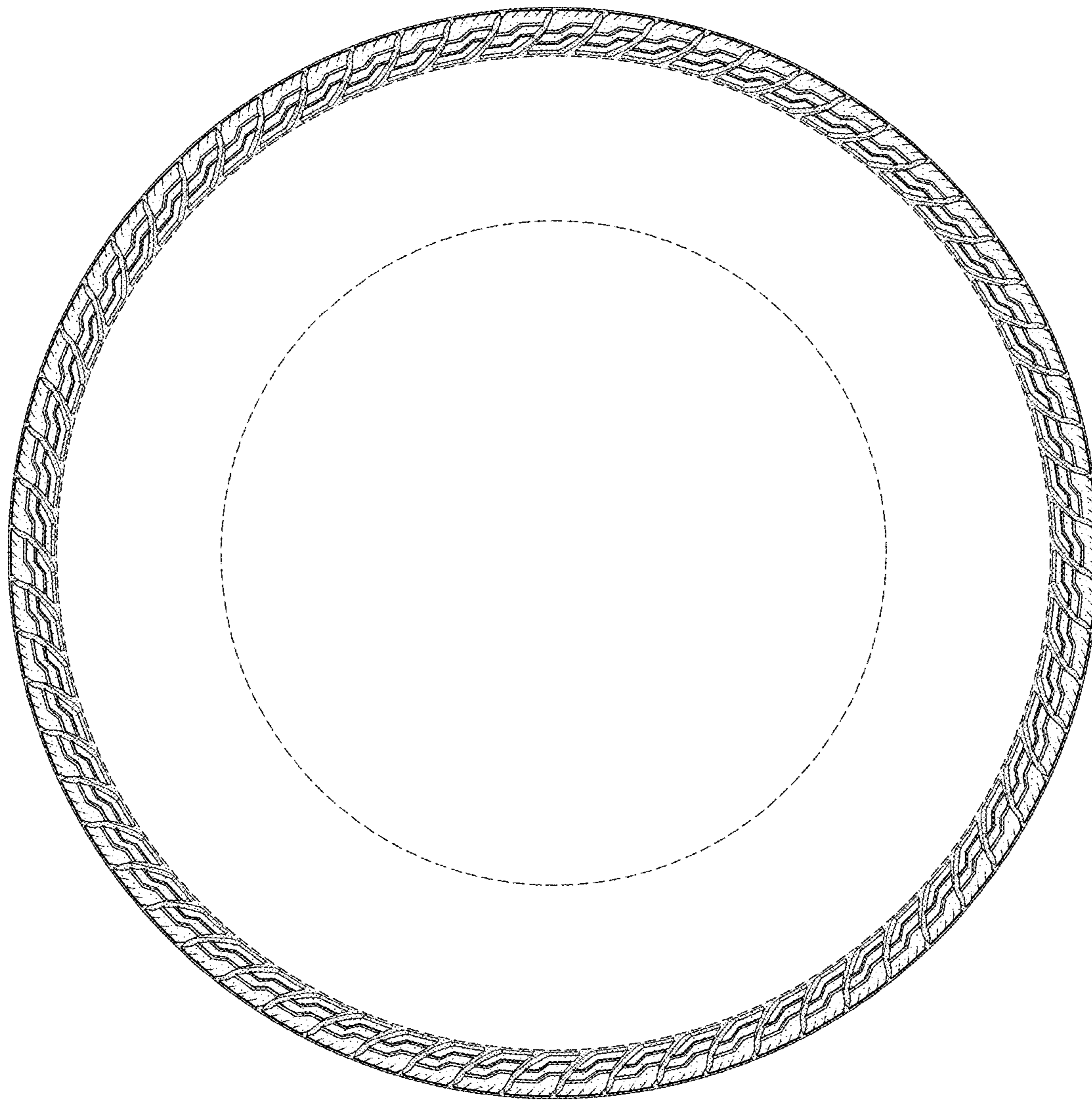


FIG-4

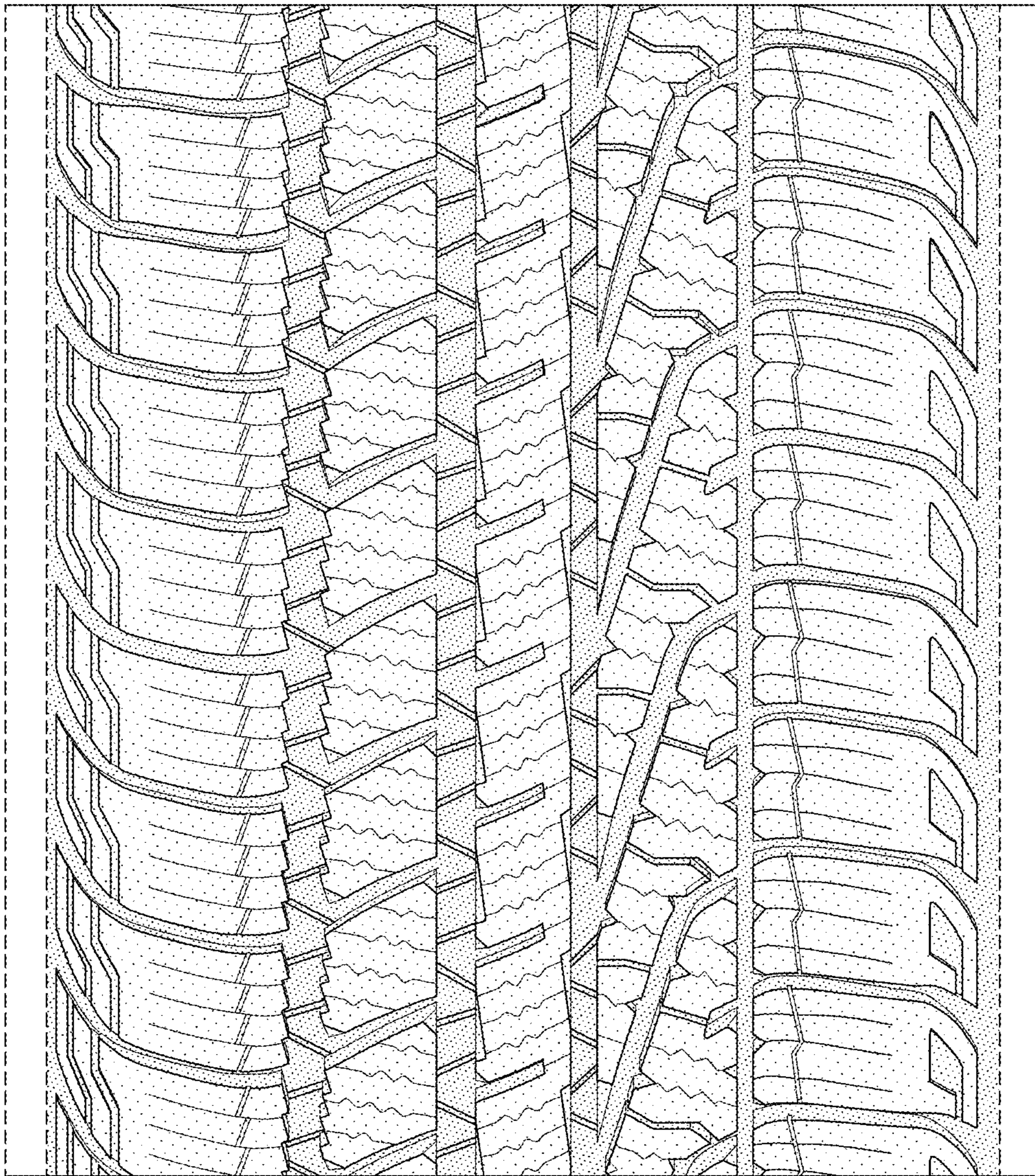


FIG-5

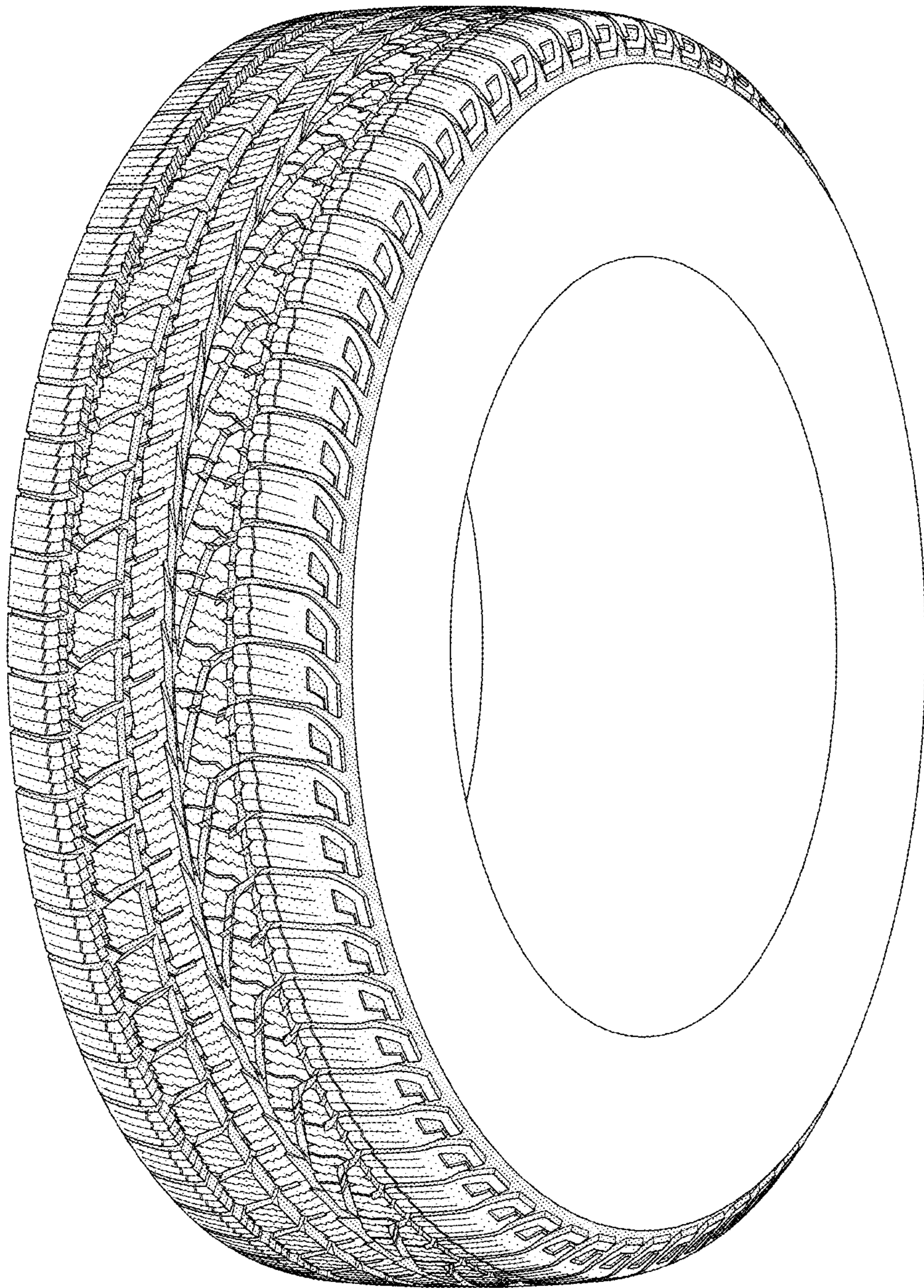


FIG-6



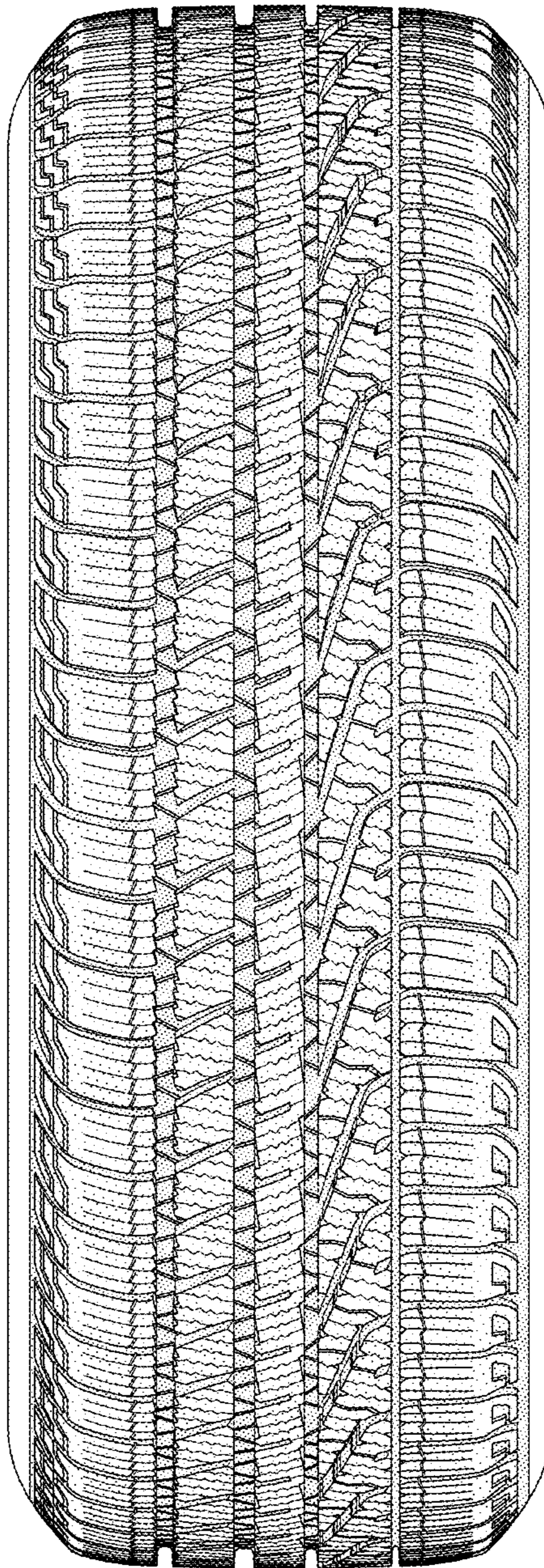


FIG-7