



US00D771547S

(12) **United States Design Patent** (10) **Patent No.:** **US D771,547 S**
Sandys (45) **Date of Patent:** **** Nov. 15, 2016**

- (54) **SIDE POCKET FOR A CENTER CONSOLE**
- (71) Applicant: **Jaguar Land Rover Limited**, Whitley, Coventry (GB)
- (72) Inventor: **Jonathan Sandys**, Coventry (GB)
- (73) Assignee: **Jaguar Land Rover Limited**, Whitley, Coventry (GB)
- (**) Term: **15 Years**
- (21) Appl. No.: **29/532,575**
- (22) Filed: **Jul. 8, 2015**
- (30) **Foreign Application Priority Data**
Jul. 1, 2015 (EM) 002729806
- (51) **LOC (10) Cl.** **12-16**
- (52) **U.S. Cl.**
USPC **D12/422**
- (58) **Field of Classification Search**
USPC D12/415-426.1
CPC F16M 11/12; F16M 11/10
See application file for complete search history.
- (56) **References Cited**
U.S. PATENT DOCUMENTS
1,412,700 A * 4/1922 Moon, Jr. B60R 7/046
224/543
2,019,674 A * 11/1935 Graebner B60R 7/046
160/88

- 3,730,581 A * 5/1973 Parkinson B60R 7/005
2/247
- D299,186 S * 1/1989 Sills D12/425
- D299,287 S * 1/1989 Gertler D12/419
- D318,949 S * 8/1991 Mawhinney D12/422
- D338,780 S * 8/1993 Rance D12/416
- 5,261,716 A * 11/1993 Phelps B60R 7/046
296/152
- D354,728 S * 1/1995 Shink D12/422
- 5,702,144 A * 12/1997 Matsuura B60R 7/046
224/311
- 2014/0265420 A1* 9/2014 Myers B60R 7/06
296/70

* cited by examiner

Primary Examiner — Katrina A Betton
(74) *Attorney, Agent, or Firm* — Wood Herron & Evans LLP

(57) **CLAIM**
The ornamental design for a side pocket for a center console, as shown and described.

DESCRIPTION

FIG. 1 is a left front quarter view of side pocket for a center console of a vehicle according to the present invention.
FIG. 2 is a right front quarter view thereof.
FIG. 3 is a right rear quarter view thereof.
FIG. 4 is a left rear quarter view thereof.
FIG. 5 is a front view thereof.
FIG. 6 is a rear view thereof.
FIG. 7 is a right side view thereof.
FIG. 8 is a left side view thereof; and,
FIG. 9 is a top view thereof.

1 Claim, 4 Drawing Sheets

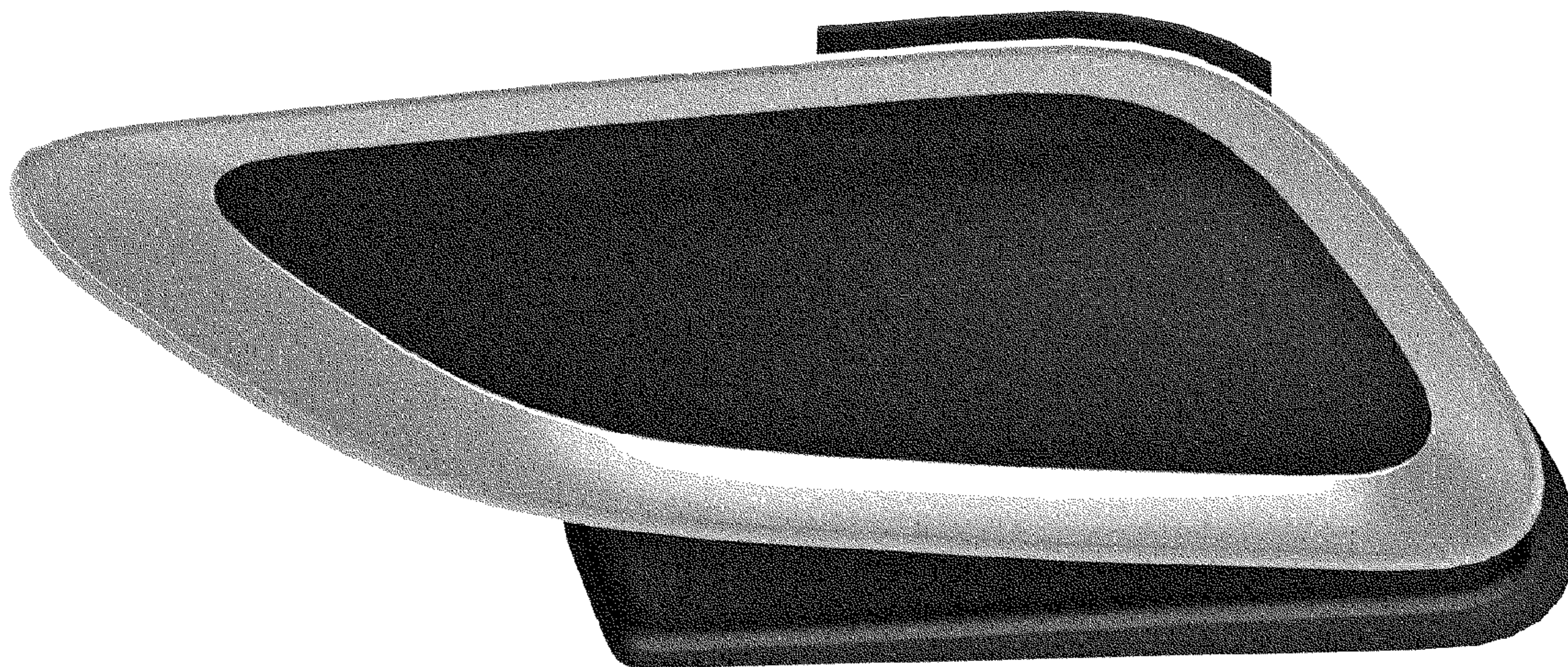




FIG. 1

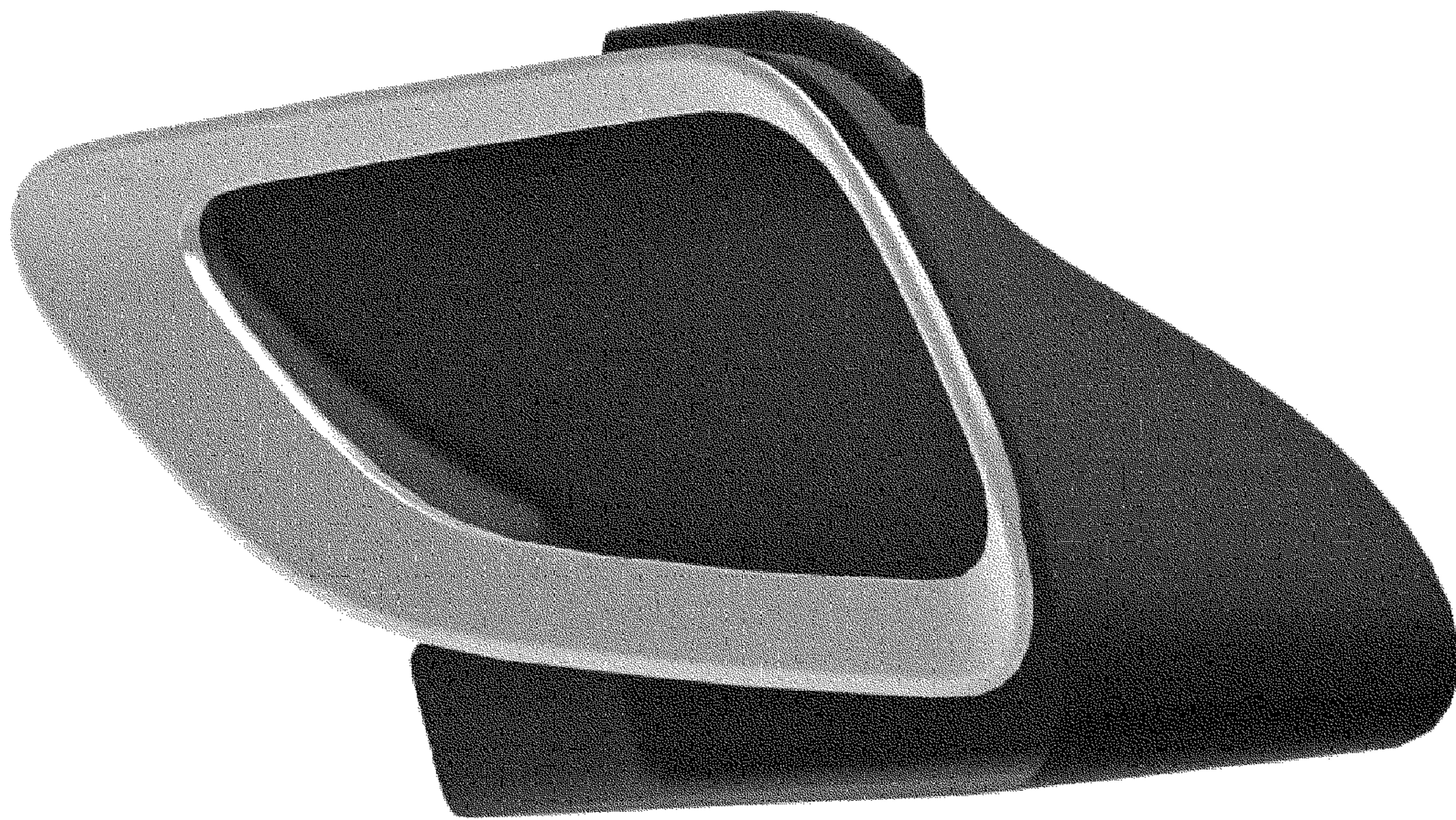


FIG. 2



FIG. 3



FIG. 4

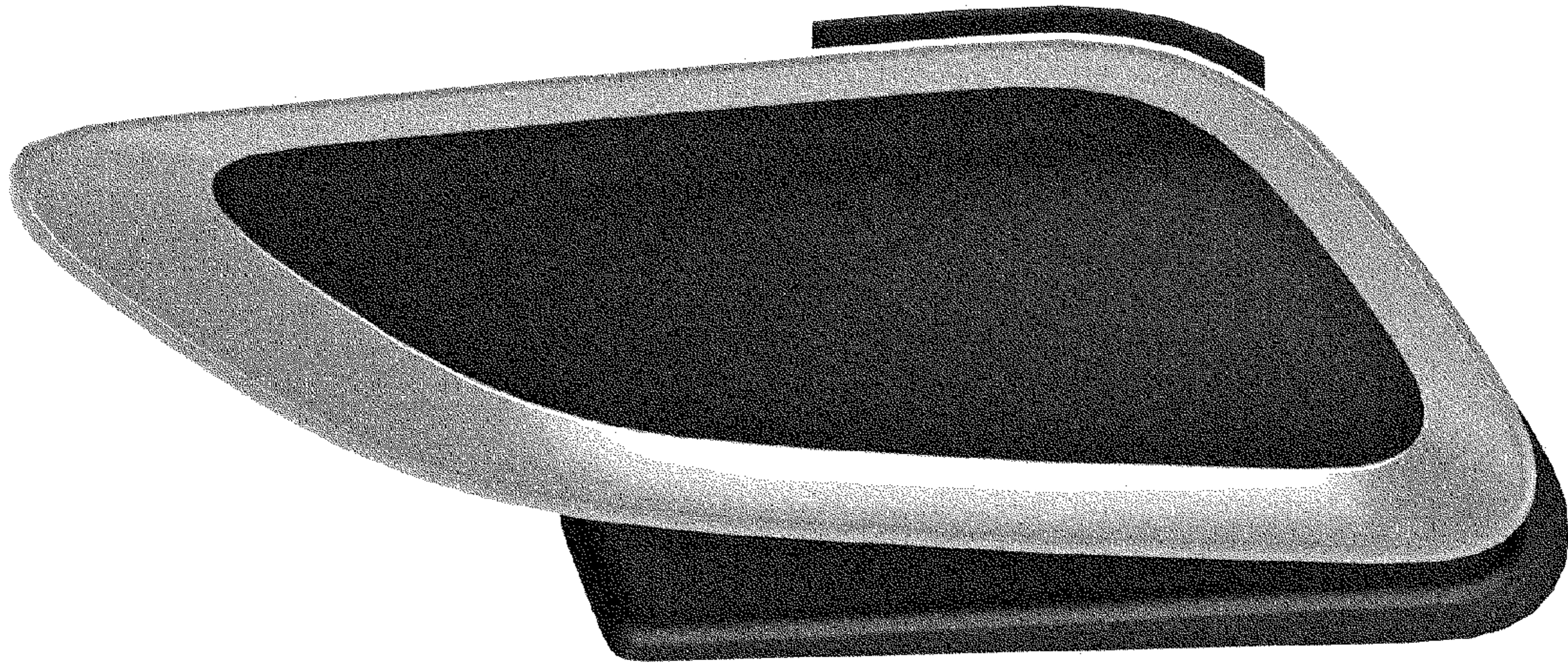


FIG. 5

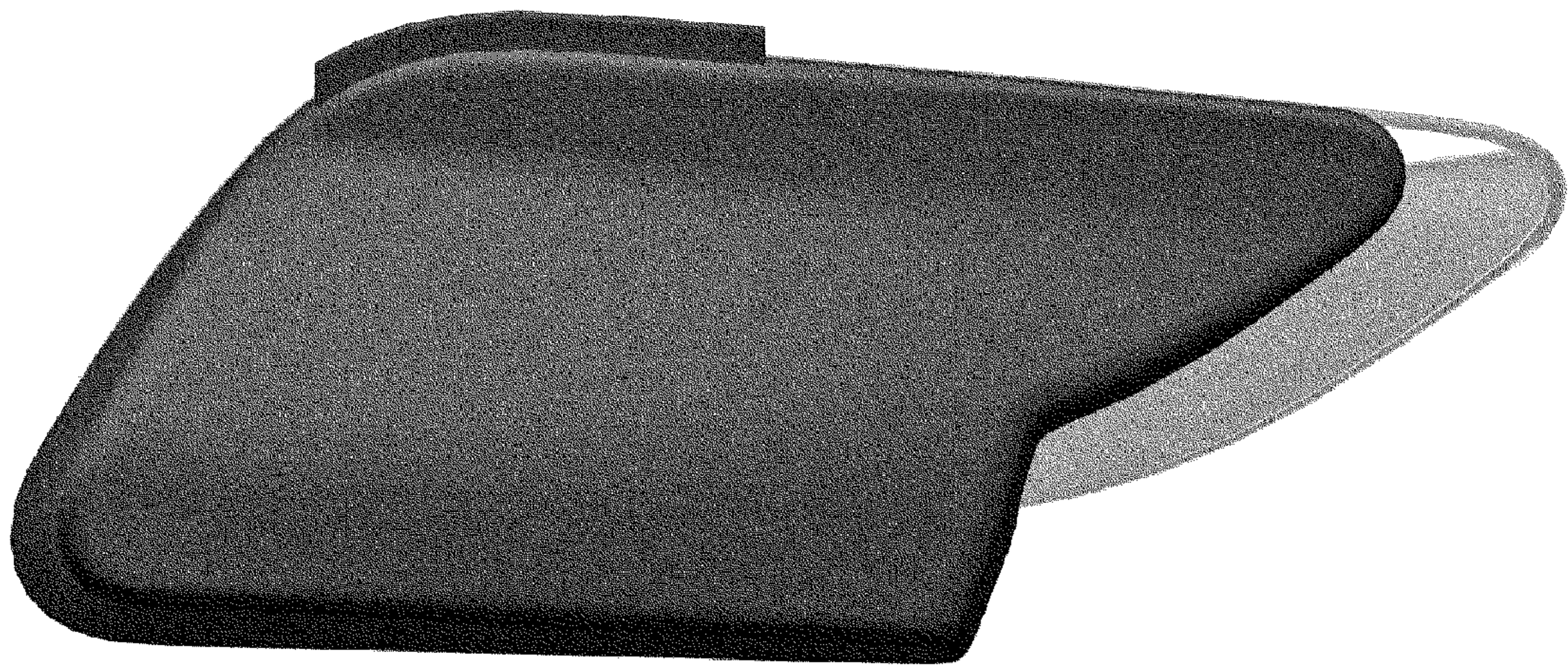


FIG. 6

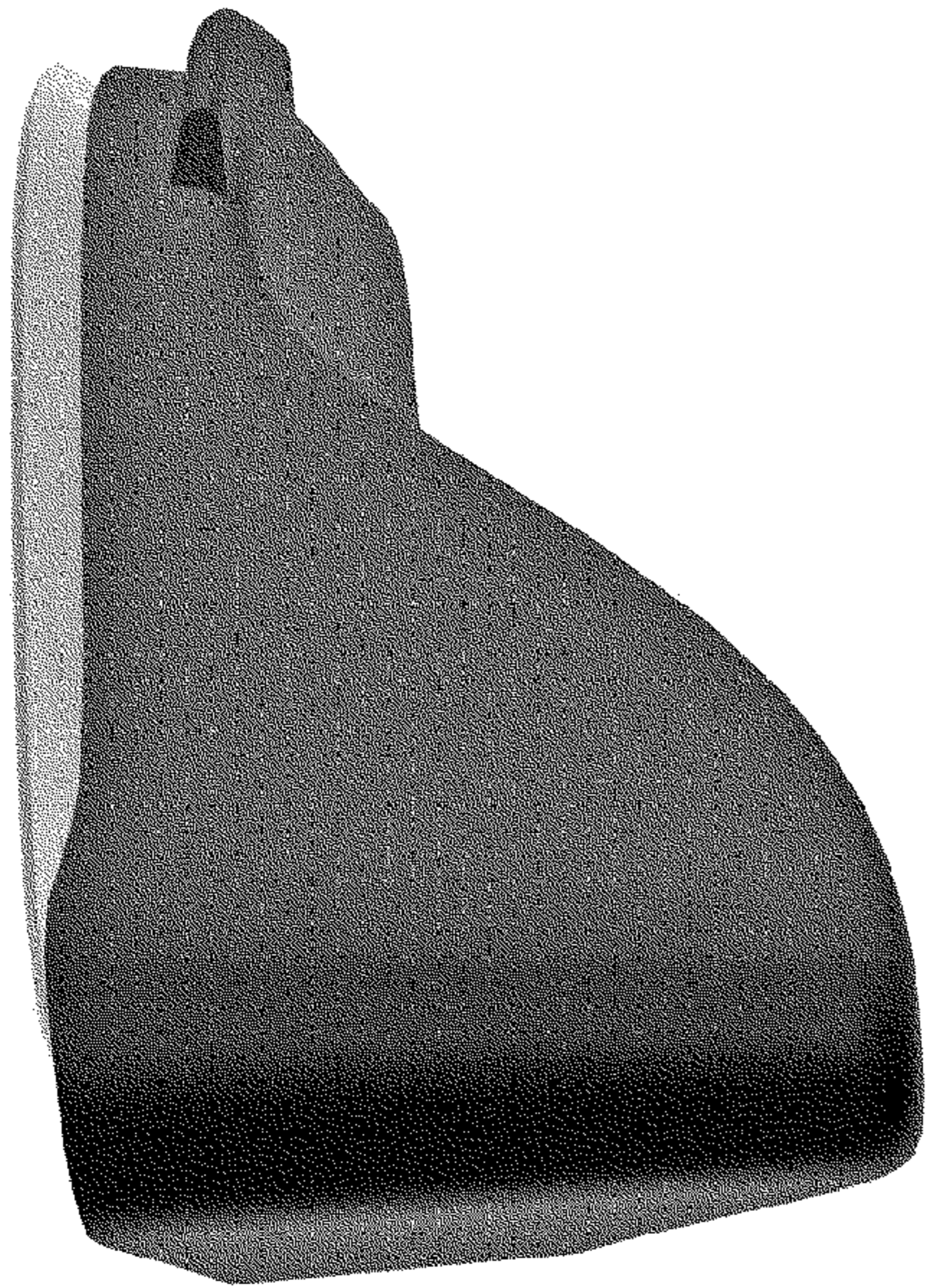


FIG. 7

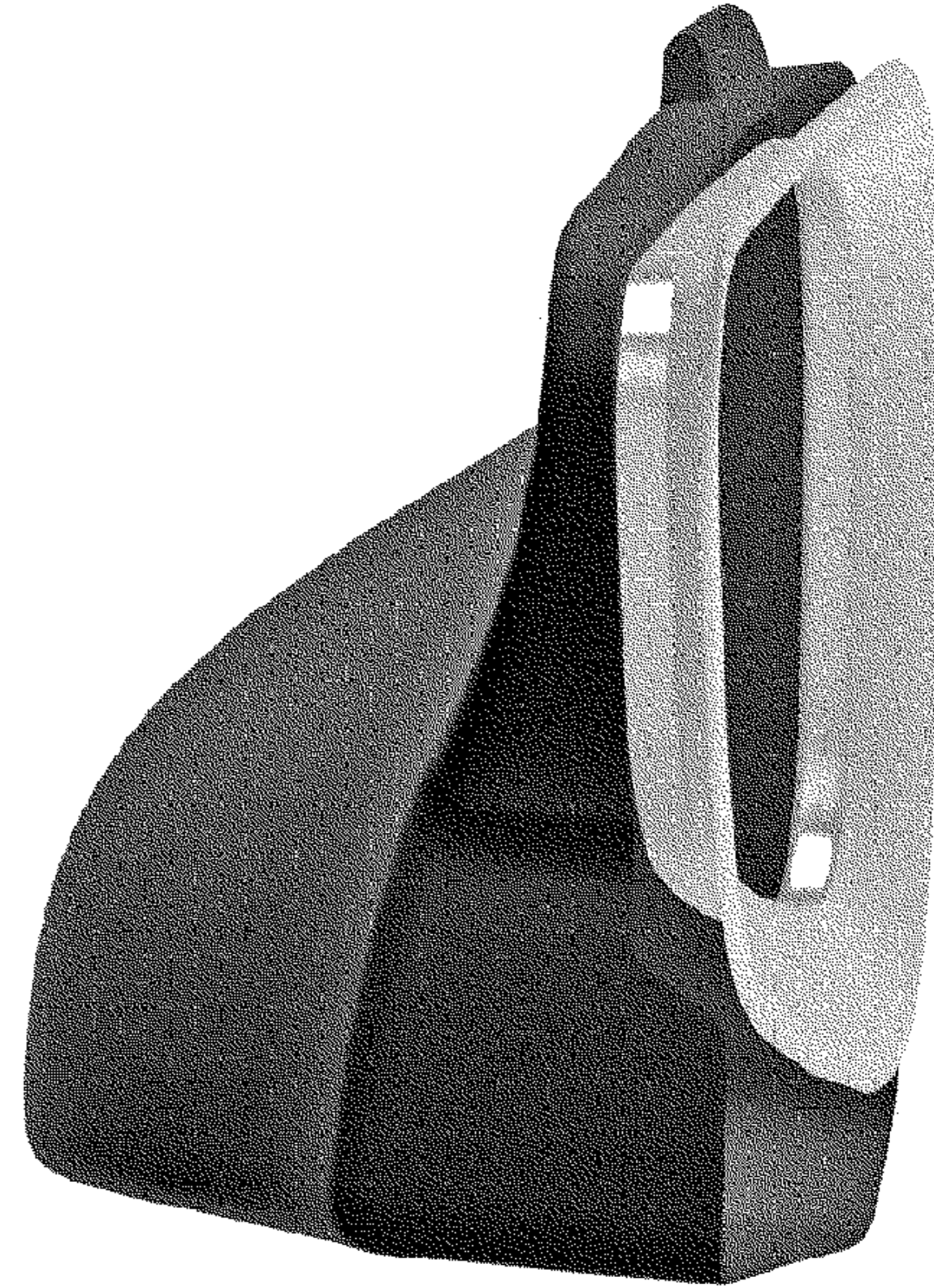


FIG. 8

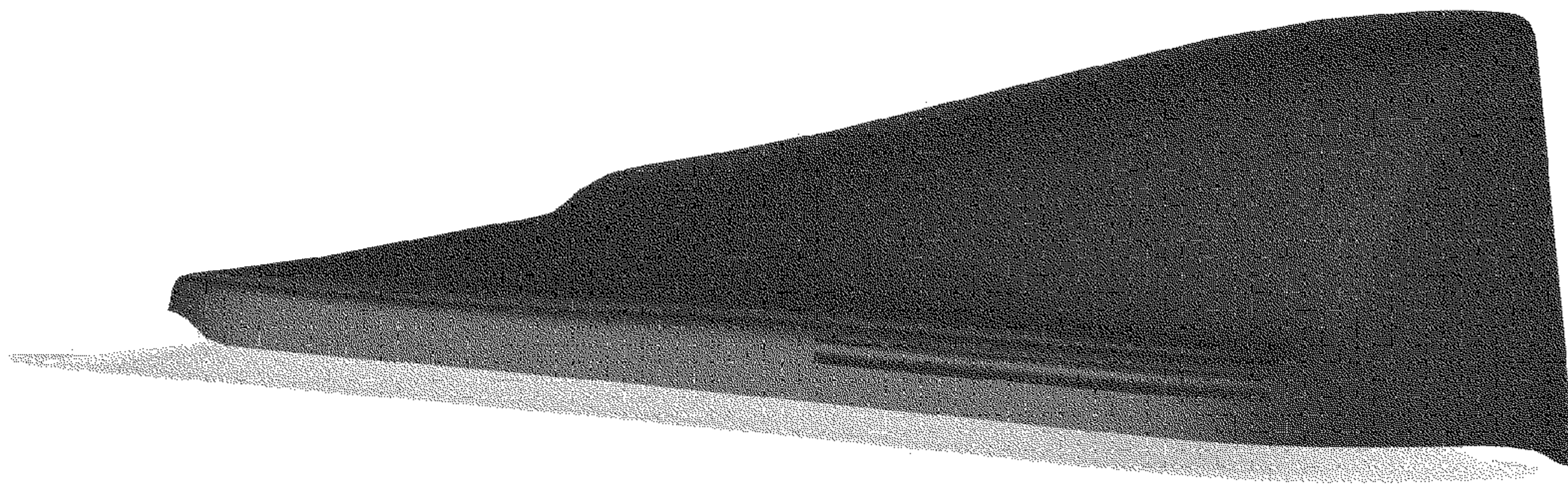


FIG. 9