



US00D771546S

(12) **United States Design Patent** (10) **Patent No.:** **US D771,546 S**
Dall'Era et al. (45) **Date of Patent:** **** Nov. 15, 2016**

(54) **DISPOSABLE AIRPLANE SEAT BACK BARRIER SYSTEM WITH TRAY TABLE SLEEVE, SEATBACK POCKET PROTECTOR, AND SEATBACK COVER**

(71) Applicants: **Joseph Eric Dall'Era**, Denver, CO (US); **Tara Thompson**, Denver, CO (US)

(72) Inventors: **Joseph Eric Dall'Era**, Denver, CO (US); **Tara Thompson**, Denver, CO (US)

(**) Term: **15 Years**

(21) Appl. No.: **29/570,600**

(22) Filed: **Jul. 10, 2016**

(51) **LOC (10) Cl.** **12-16**

(52) **U.S. Cl.**
USPC **D12/416**

(58) **Field of Classification Search**
USPC D12/416, 415, 417-419, 423; D6/513, D6/514, 611, 553, 556, 559; D7/601-602, D7/605-607; D3/216, 217, 219
CPC B65D 33/00; B64D 11/0636; B60N 3/004
See application file for complete search history.

(56) **References Cited**

U.S. PATENT DOCUMENTS

| | | | | | |
|-----------|-----|---------|----------|-------|------------|
| 5,005,491 | A * | 4/1991 | Waterman | | B60N 3/007 |
| | | | | | 108/152 |
| D473,840 | S * | 4/2003 | Sauer | | D12/416 |
| 7,841,658 | B1 | 11/2010 | Marble | | |
| 7,976,099 | B2 | 7/2011 | Ferrara | | |
| D650,733 | S * | 12/2011 | Cooney | | D12/416 |
| D658,568 | S * | 5/2012 | Currier | | D12/416 |
| D677,966 | S | 3/2013 | Natkin | | |

(Continued)

Primary Examiner — Katrina A Betton

(57) **CLAIM**

The ornamental design for a disposable airplane seat back barrier system with tray table sleeve, seatback pocket protector, and seatback cover, as shown.

DESCRIPTION

Cross-reference to related applications: Ser. No. 14/820,539 (filing date Jun. 8, 2014).

FIG. 1 is a left perspective view of a disposable airplane seat back barrier system with tray table sleeve, seatback pocket protector, and seatback cover. The right side view is a mirror image of the left side.

FIG. 2 is a front view of a disposable airplane seat back barrier system with tray table sleeve, seatback pocket protector, and seatback cover

FIG. 3 is a back perspective view of a disposable airplane seat back barrier system with tray table sleeve, seatback pocket protector, and seatback cover

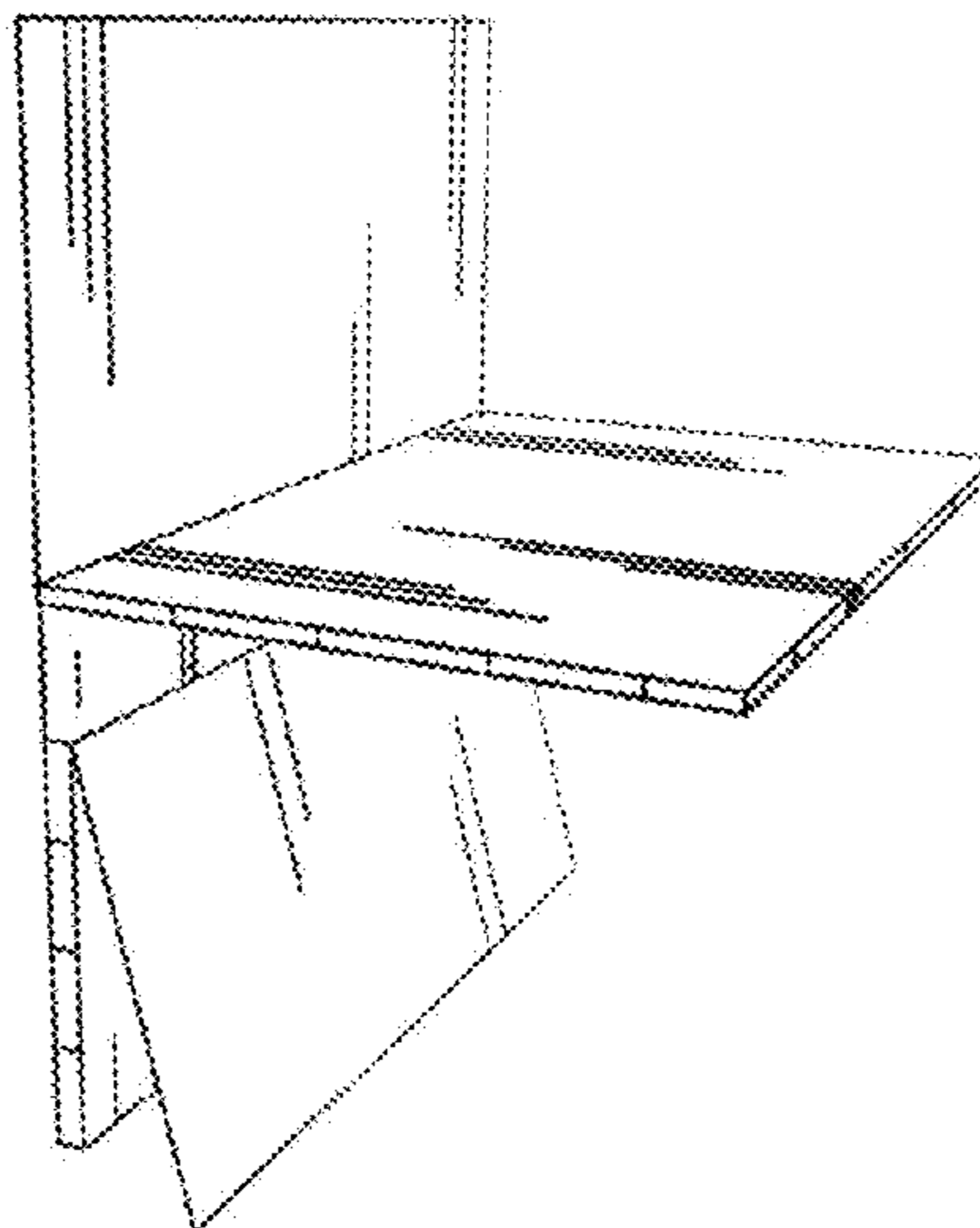
FIG. 4 is a left perspective view of a disposable airplane seat back barrier system with tray table sleeve, seatback pocket protector, and seatback cover with environment of airplane seatback and tray table.

FIG. 5 is a left perspective view of a disposable airplane seat back barrier system with tray table sleeve, seatback pocket protector, and seatback cover installed on airplane tray table; and,

FIG. 6 is a back perspective view of a disposable airplane seat back barrier system with tray table sleeve, seatback pocket protector, and seatback cover installed on airplane tray table.

Broken line illustration of environmental structures (airplane seatback and tray table) is not part of the claimed design.

1 Claim, 3 Drawing Sheets



(56)

References Cited

U.S. PATENT DOCUMENTS

| | | | | |
|--------------|------|---------|----------------|------------------------|
| 8,459,265 | B2 | 6/2013 | Young | |
| D705,581 | S | 5/2014 | Luczak | |
| D730,268 | S * | 5/2015 | Dowell | D12/416 |
| 9,051,087 | B1 | 6/2015 | Daniels | |
| D758,498 | S * | 6/2016 | Basil | D21/392 |
| D765,580 | S * | 9/2016 | Pumphrey | D12/415 |
| 2012/0020586 | A1 | 1/2012 | Gilbert | |
| 2013/0152946 | A1 | 6/2013 | Sosnowski | |
| 2014/0014006 | A1 | 1/2014 | Clatterbuck | |
| 2014/0377499 | A1 * | 12/2014 | Davino | B64D 11/0638 428/99 |

* cited by examiner

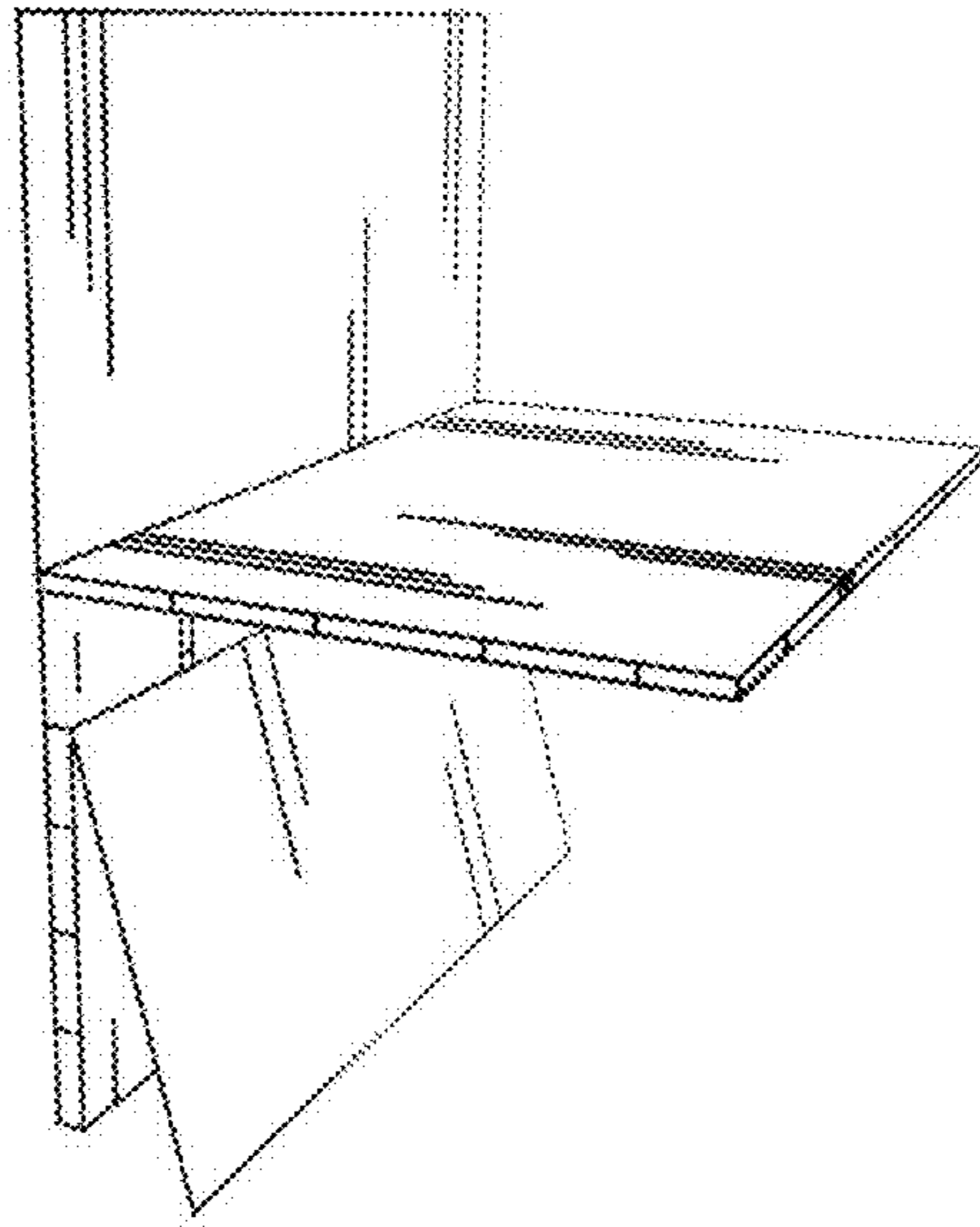


Figure 1

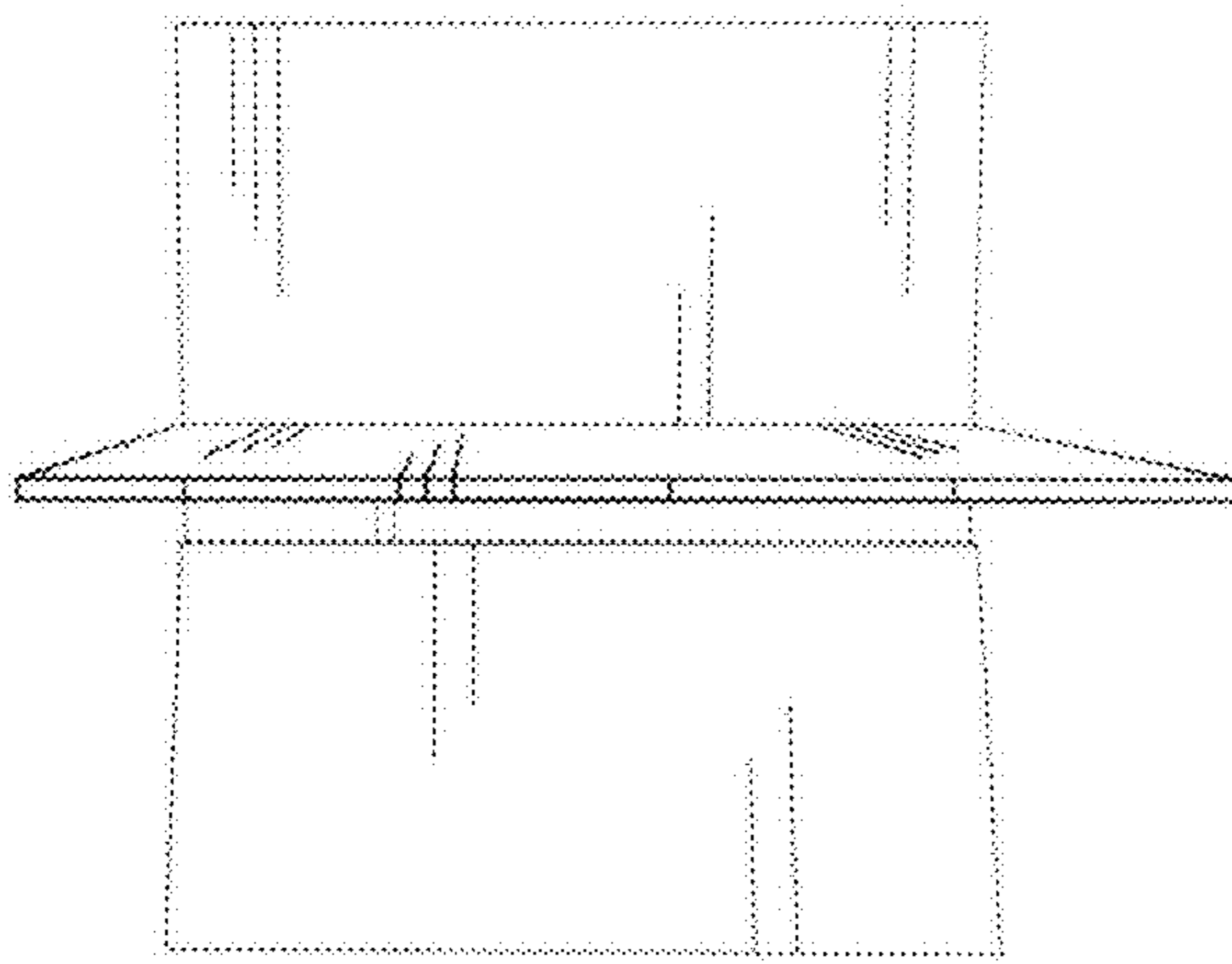


Figure 2

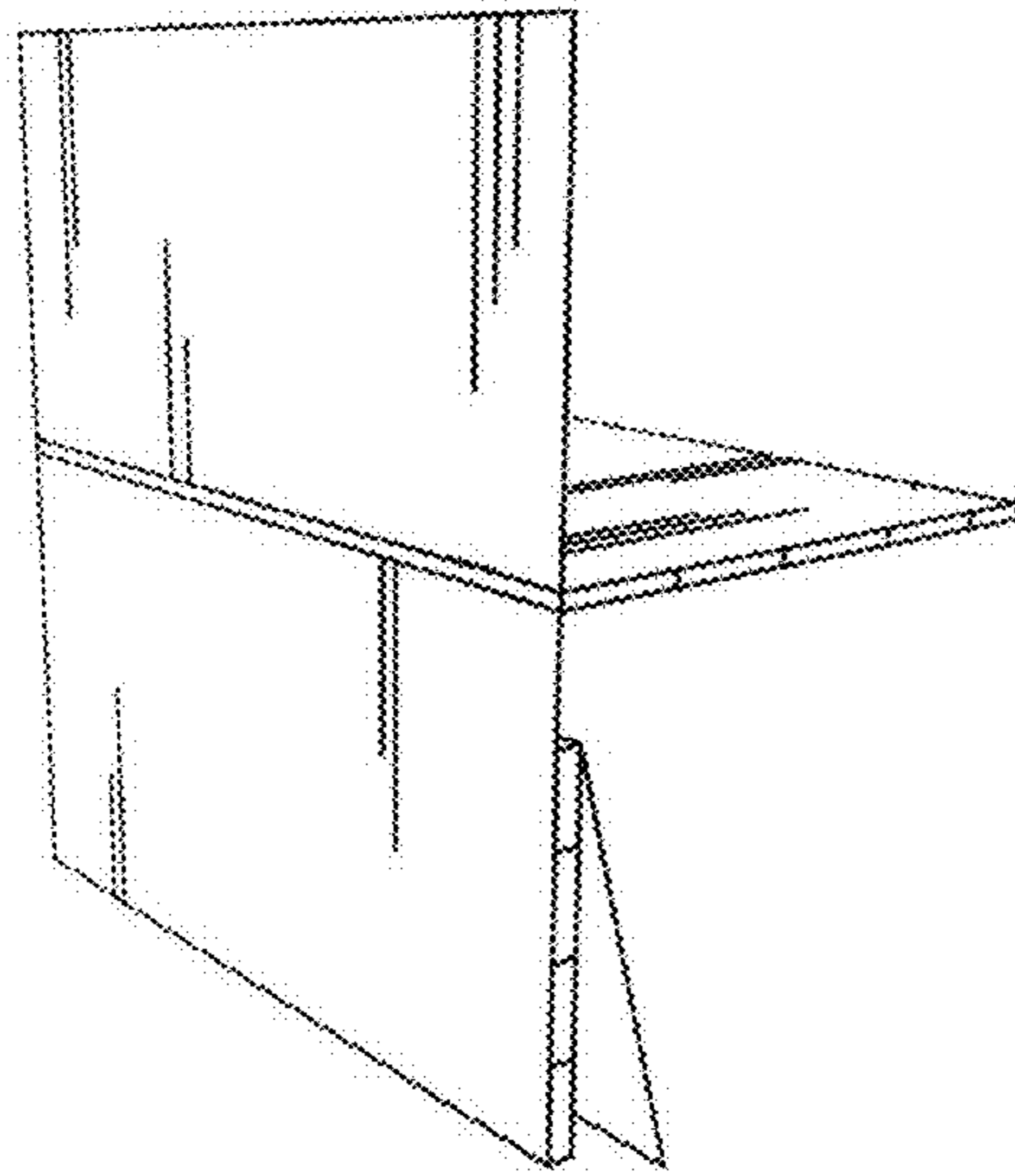


Figure 3

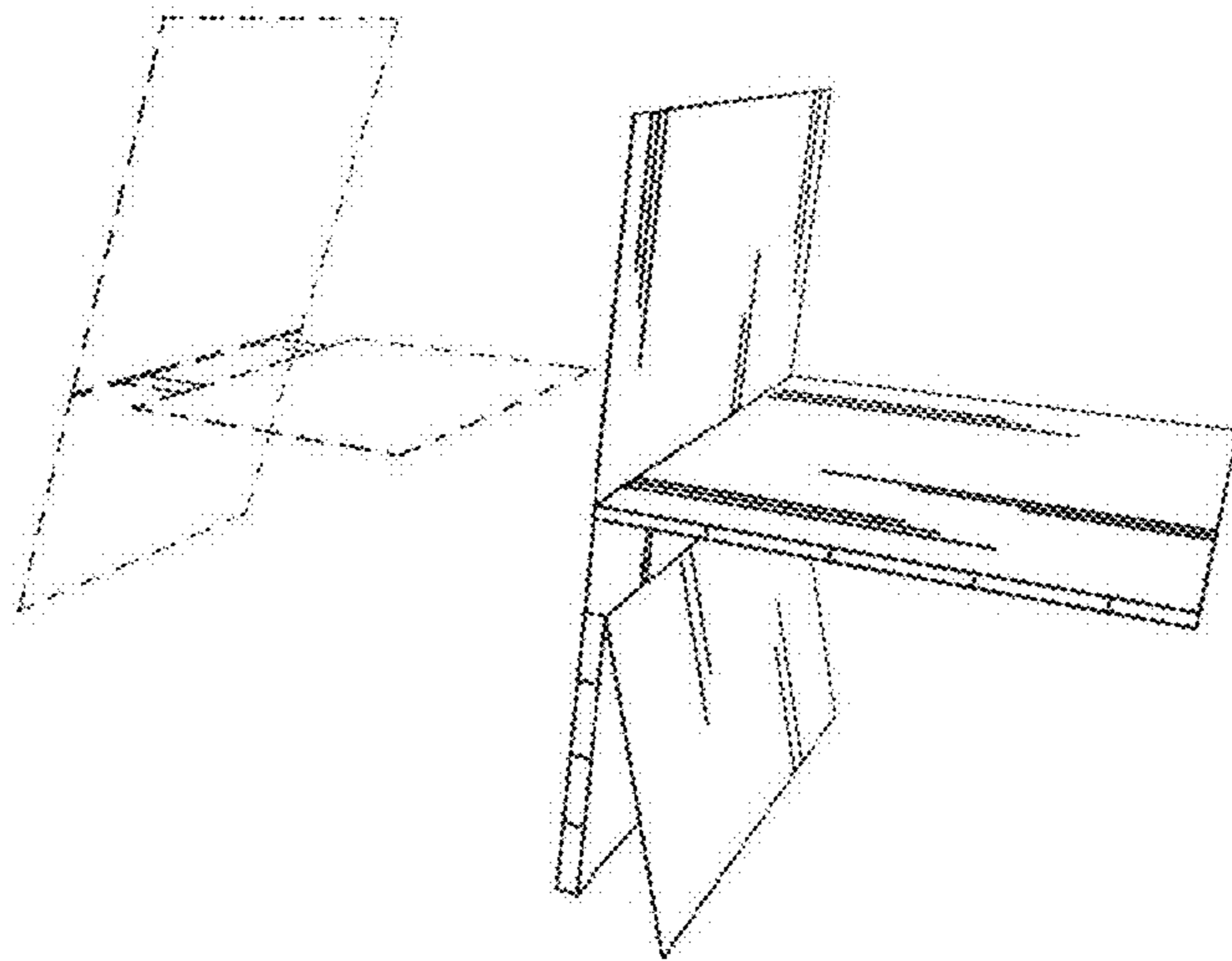


Figure 4

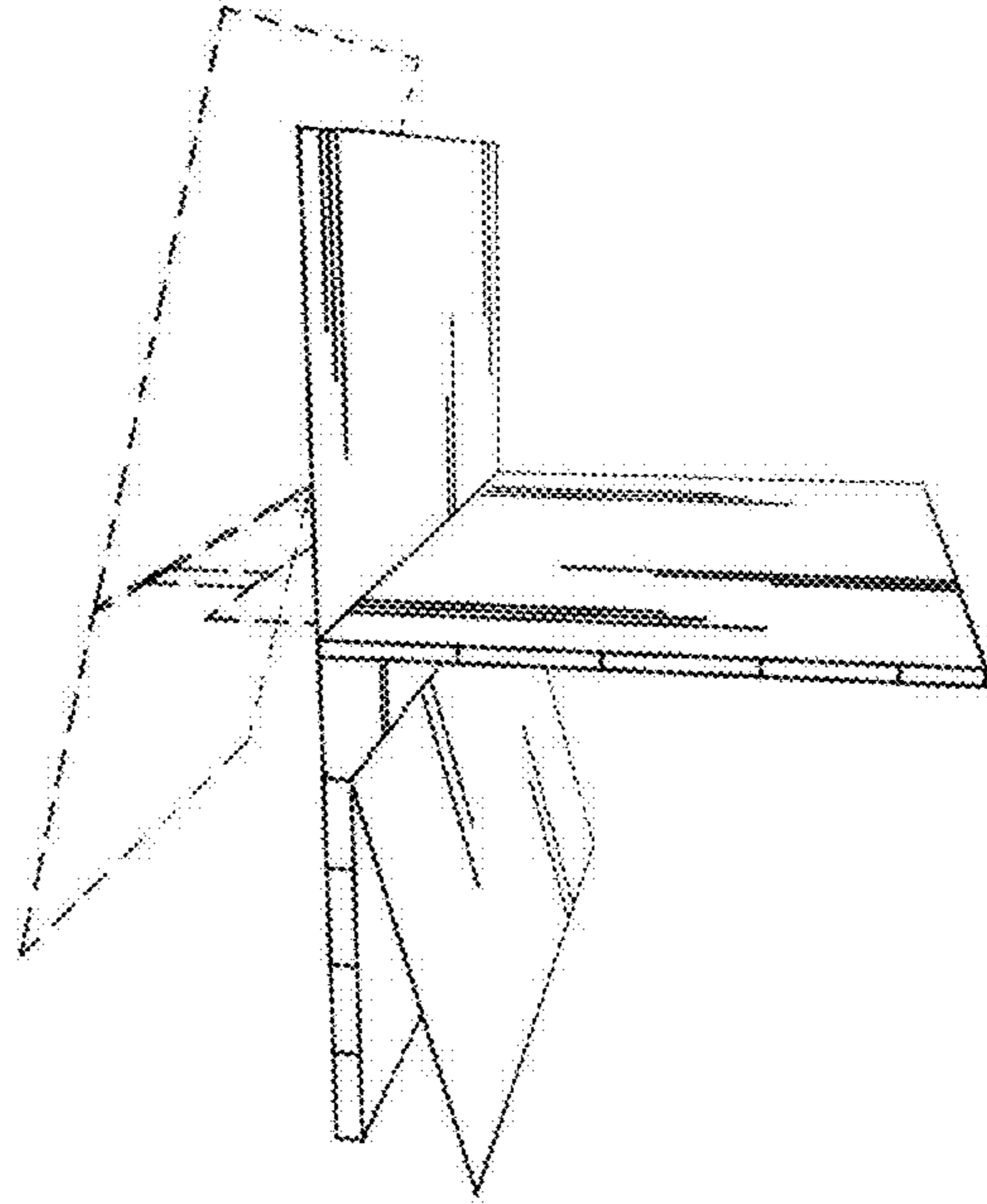


Figure 5

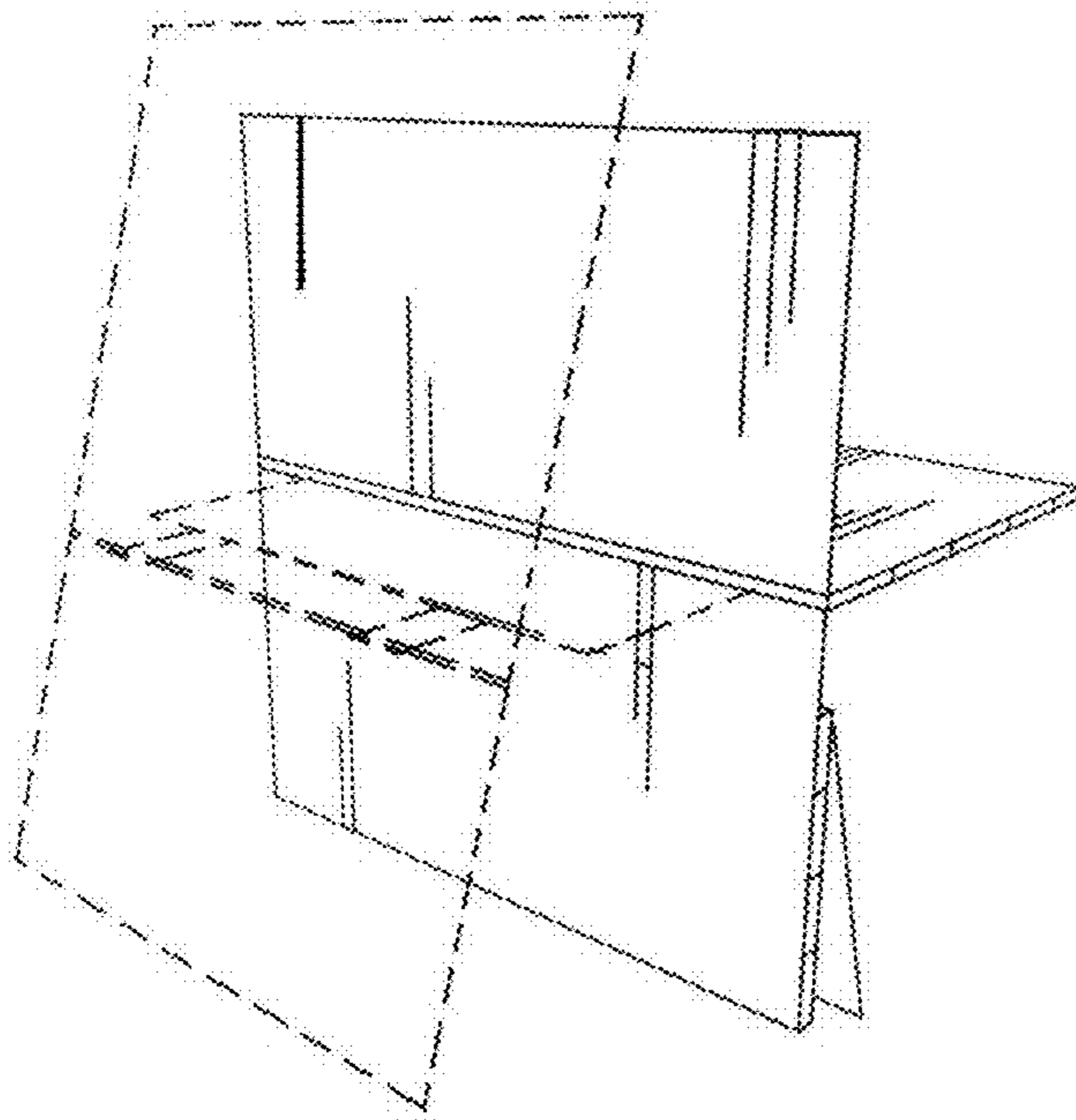


Figure 6