



US00D771545S

(12) **United States Design Patent**
Kasparian et al.

(10) **Patent No.:** **US D771,545 S**

(45) **Date of Patent:** **** Nov. 15, 2016**

(54) **STORAGE COMPARTMENT FOR A COCKPIT**

(71) Applicant: **Gulfstream Aerospace Corporation,**
Savannah, GA (US)

(72) Inventors: **Aram Kasparian,** Savannah, GA (US);
Andrew Fulford, Northville, MI (US)

(73) Assignee: **Gulfstream Aerospace Corporation,**
Savannah, GA (US)

(**) Term: **14 Years**

(21) Appl. No.: **29/506,135**

(22) Filed: **Oct. 13, 2014**

(51) **LOC (10) Cl.** **12-16**

(52) **U.S. Cl.**
USPC **D12/415**

(58) **Field of Classification Search**
USPC D12/195, 193, 414, 190, 196; D10/46,
D10/98, 102-103; D8/302-303; D15/17, 28
CPC B60J 5/04; B60N 2/466; B60N 2/4693;
B60R 13/0243; B60R 13/02
See application file for complete search history.

(56) **References Cited**

U.S. PATENT DOCUMENTS

D285,785 S * 9/1986 Westall D12/183
D349,268 S * 8/1994 Jones D12/183

D350,322 S * 9/1994 Carson D12/183
D432,063 S * 10/2000 Sunday, Jr. D12/190
D488,584 S * 4/2004 Tsai D26/139
D496,618 S * 9/2004 Nakajima et al. D12/195
8,317,248 B2 * 11/2012 Lange B60R 13/04
296/1.08
D718,198 S * 11/2014 Burgess D12/190
D742,797 S * 11/2015 Sugiura D12/195

* cited by examiner

Primary Examiner — Katrina A Betton

(74) *Attorney, Agent, or Firm* — Lorenz & Kopf, LLP
(LKGlobal)

(57) **CLAIM**

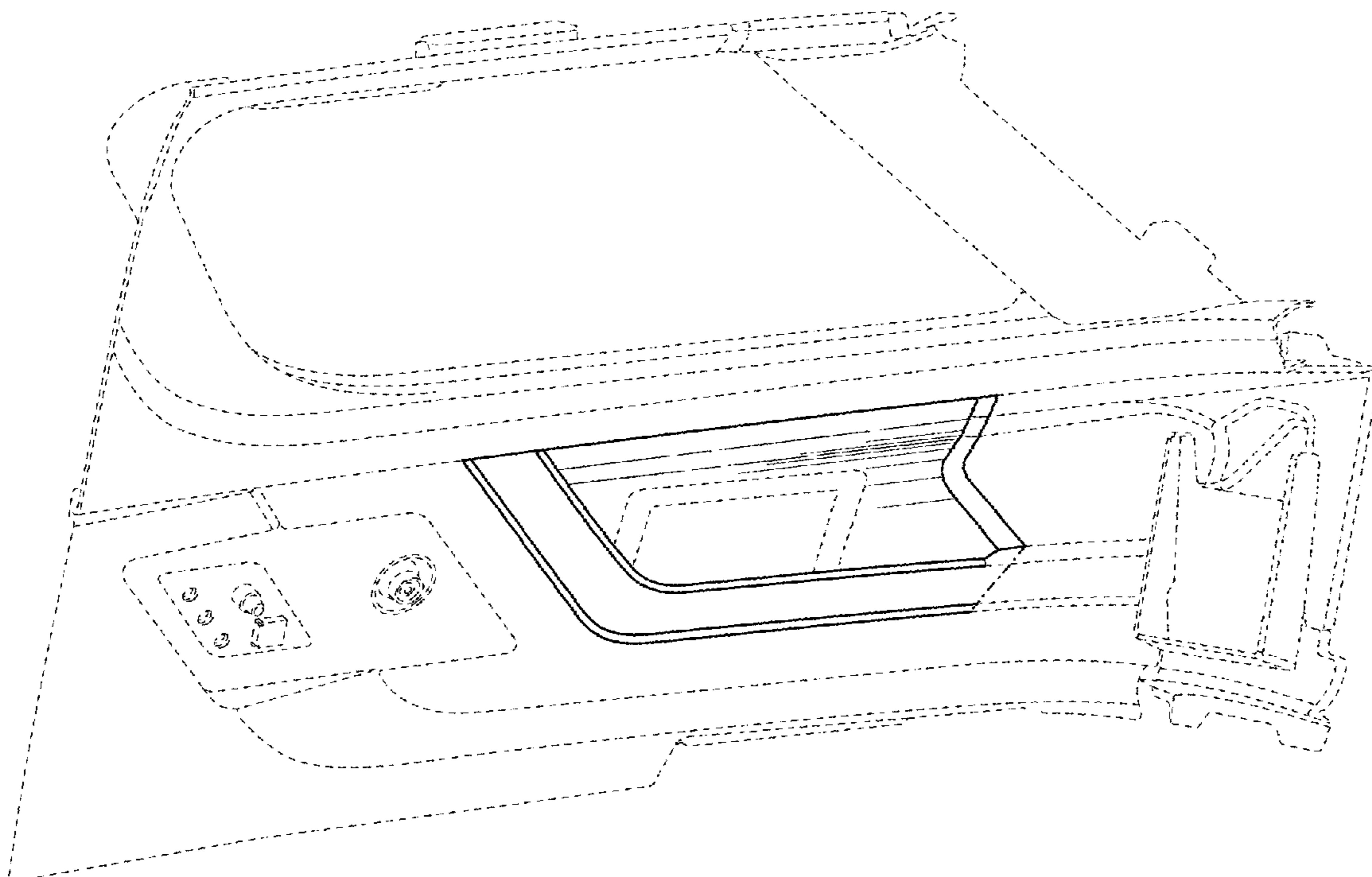
The ornamental design for a storage compartment for a cockpit, as shown and described.

DESCRIPTION

FIG. 1 is a front perspective view of a storage compartment for a cockpit showing our new design; FIG. 2 is a front view thereof; FIG. 3 is a first side view thereof, the second side view forming no part of the claimed design; and, FIG. 4 is a top view thereof, the bottom view forming no part of the claimed design.

The even length broken lines structure and environment that form no part of the claimed design. The single dash and single dot broken lines indicate boundaries of the claimed design that form no part thereof.

1 Claim, 4 Drawing Sheets



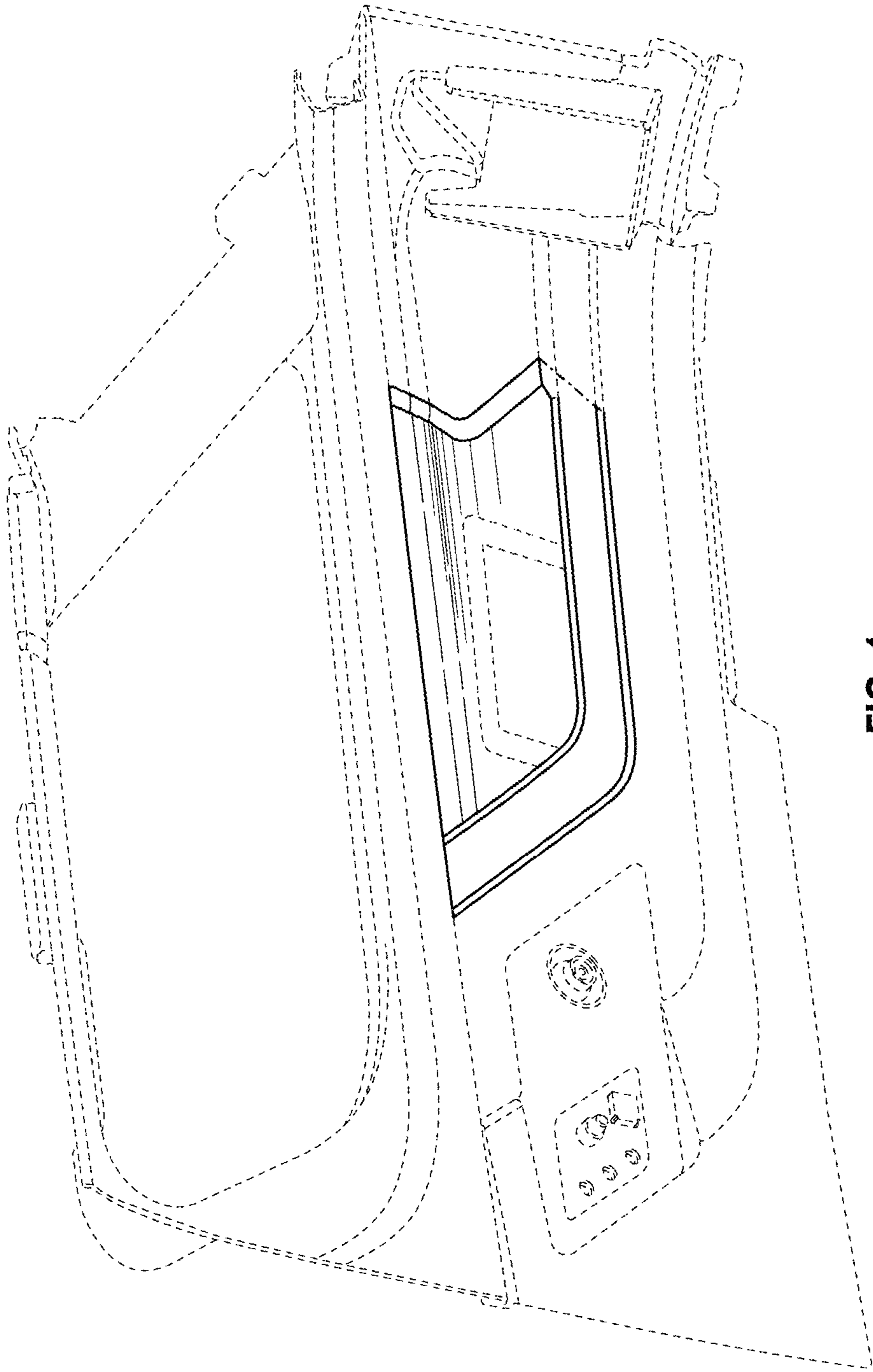


FIG. 1

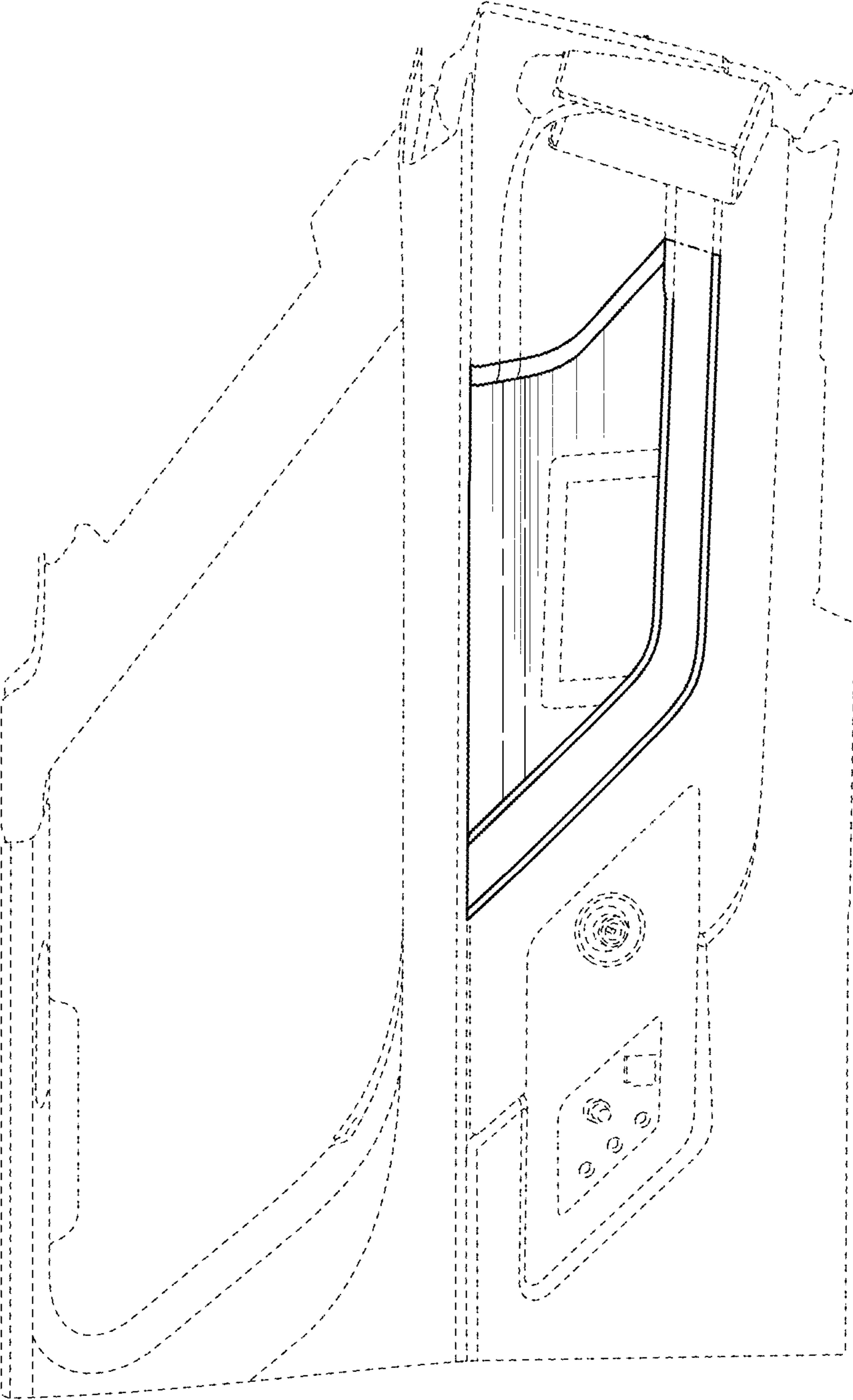


FIG. 2

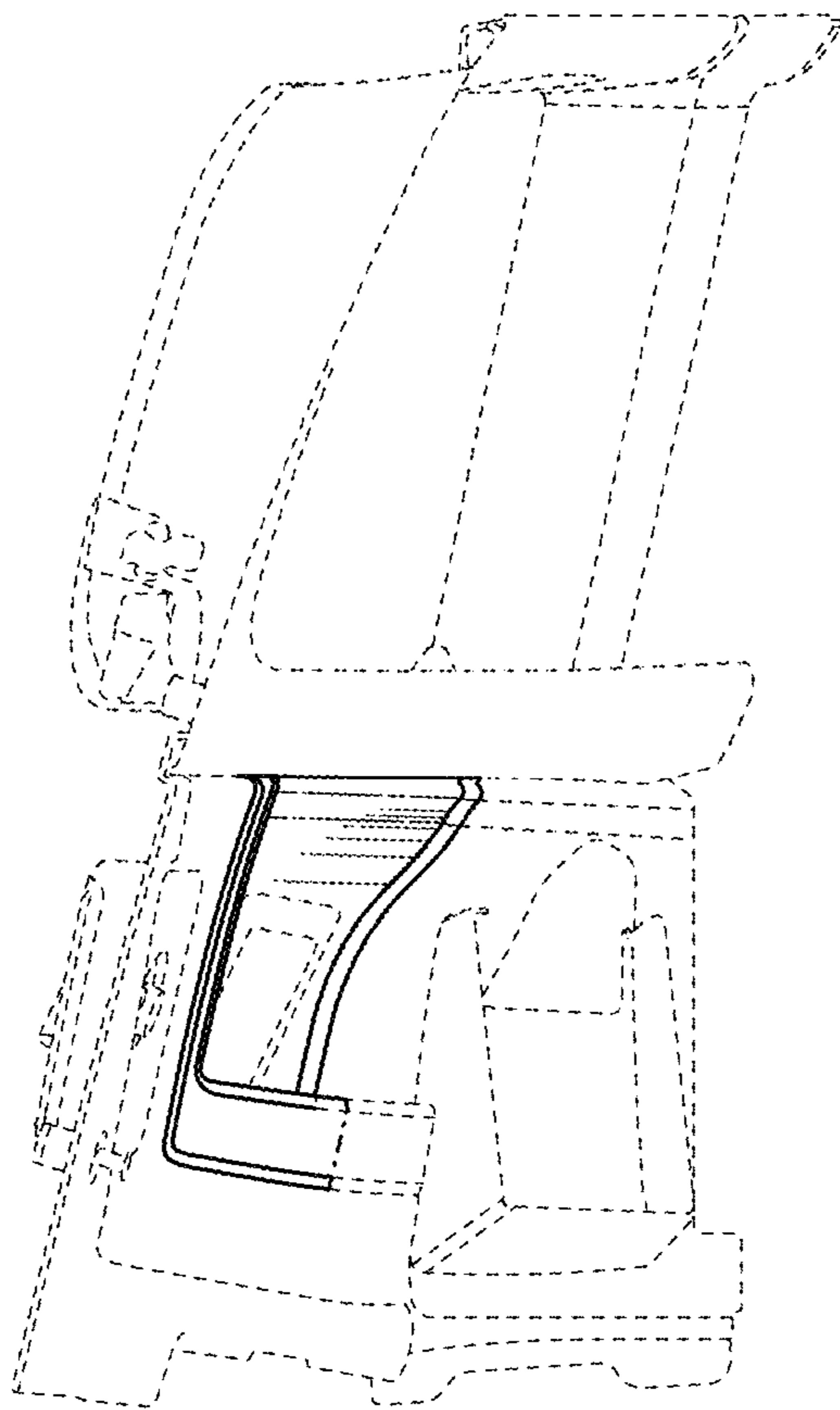


FIG. 3

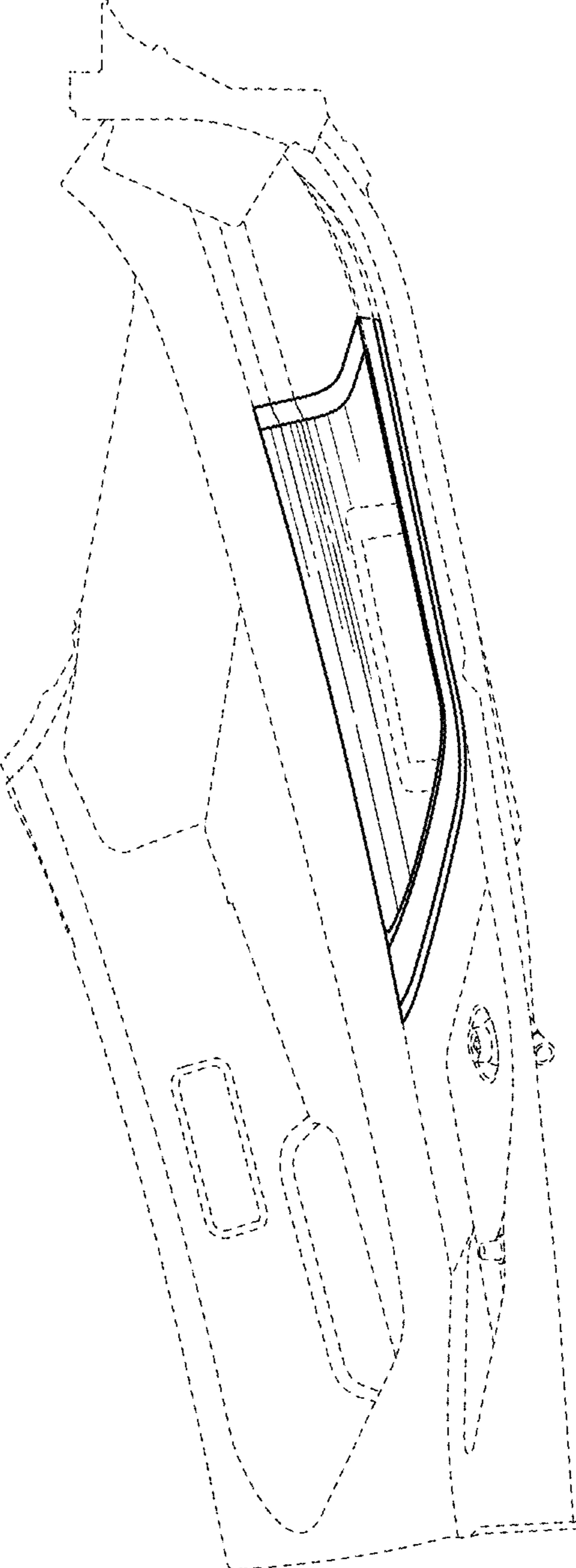


FIG. 4