



US00D771544S

(12) **United States Design Patent** (10) **Patent No.:** **US D771,544 S**
Christofferson (45) **Date of Patent:** **** Nov. 15, 2016**

(54) **TRUCK TOOL BOX**

(71) Applicant: **John Christofferson**, Parker, CO (US)
(72) Inventor: **John Christofferson**, Parker, CO (US)
(73) Assignee: **One hung Enterprises LLC**, Parker, CO (US)

(**) Term: **14 Years**

(21) Appl. No.: **29/508,502**

(22) Filed: **Nov. 7, 2014**

(51) **LOC (10) Cl.** **12-99**

(52) **U.S. Cl.**
USPC **D12/414.1**

(58) **Field of Classification Search**
USPC D12/414.1, 414, 413, 412, 221,
D12/406.157, 423; D6/552, 317-319,
D6/513-514; D3/304-306; D32/35, 58
CPC B60R 7/02; Y10S 224/925
See application file for complete search history.

(56) **References Cited**

U.S. PATENT DOCUMENTS

D539,727 S *	4/2007	O'Connor	D12/414.1
D564,437 S *	3/2008	Moore	D12/414.1
D566,646 S *	4/2008	Whittaker	D12/414.1
D623,121 S *	9/2010	Lewis	D12/414.1
D630,015 S *	1/2011	Weng	D12/414.1
D658,373 S *	5/2012	Gros	D12/414.1
D713,323 S *	9/2014	Gearner, III	D12/414.1
D720,281 S *	12/2014	Grant	D12/414.1
D722,008 S *	2/2015	Tuel	D12/414.1

OTHER PUBLICATIONS

Northern Tool + Equipment Profile Aluminum Crossover Truck Box—published by Northern Tool on its website at http://www.northerntool.com/shop/tools/product_200620971_200620971 on Nov. 7, 2014.

* cited by examiner

Primary Examiner — Katrina A Betton

(74) *Attorney, Agent, or Firm* — Colorado Patents

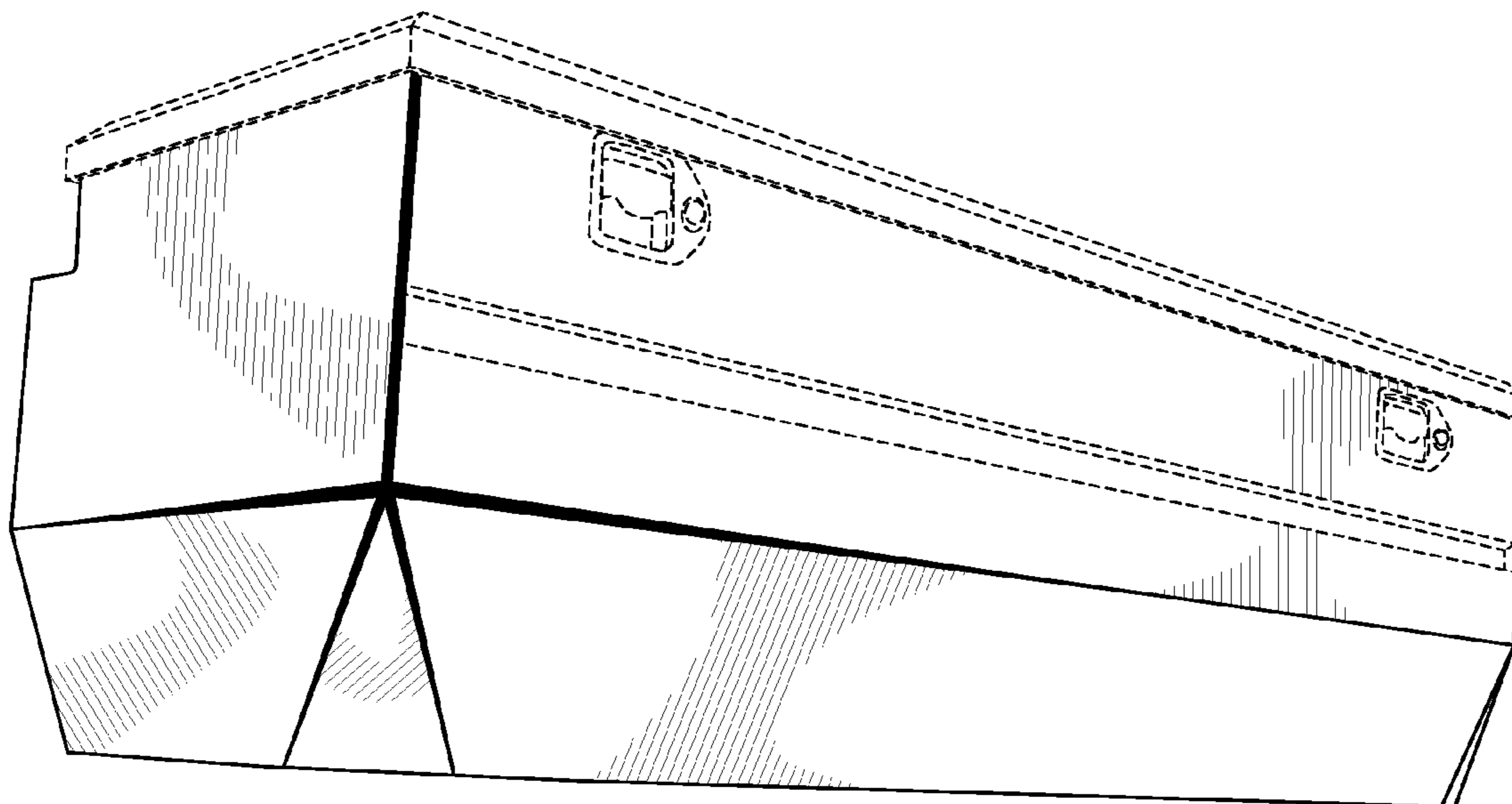
(57) **CLAIM**

The ornamental design for a truck tool box, as shown and described.

DESCRIPTION

FIG. 1 is a perspective view of my new design for a truck tool box which, as shown, is mounted in the truck bed of a pick up truck;
FIG. 2 is an enlarged perspective view of the truck tool box shown in isolation in FIG. 1;
FIG. 3 is a front view of the truck tool box of FIG. 2;
FIG. 4 is a rear view of the truck tool box of FIG. 2;
FIG. 5 is a right side view of the towing system of FIG. 2 and wherein the left side view is the mirror image of the right side view;
FIG. 6 is a top plan view of the truck tool box of FIG. 2; and,
FIG. 7 is a bottom plan view of the truck tool box of FIG. 2.
The broken lines are shown for illustrative purposes only and form no part of the claimed design.

1 Claim, 3 Drawing Sheets



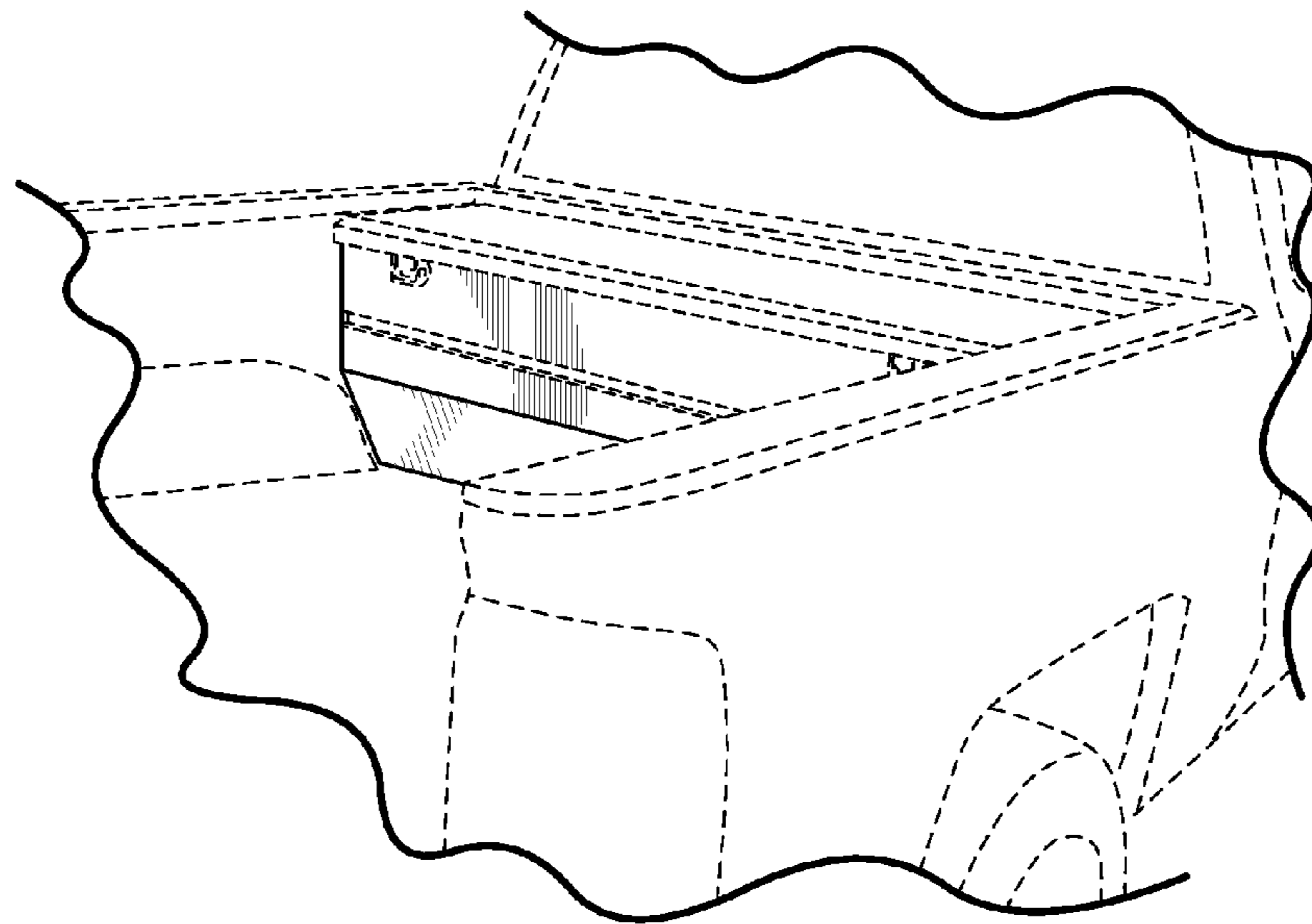


FIG. 1

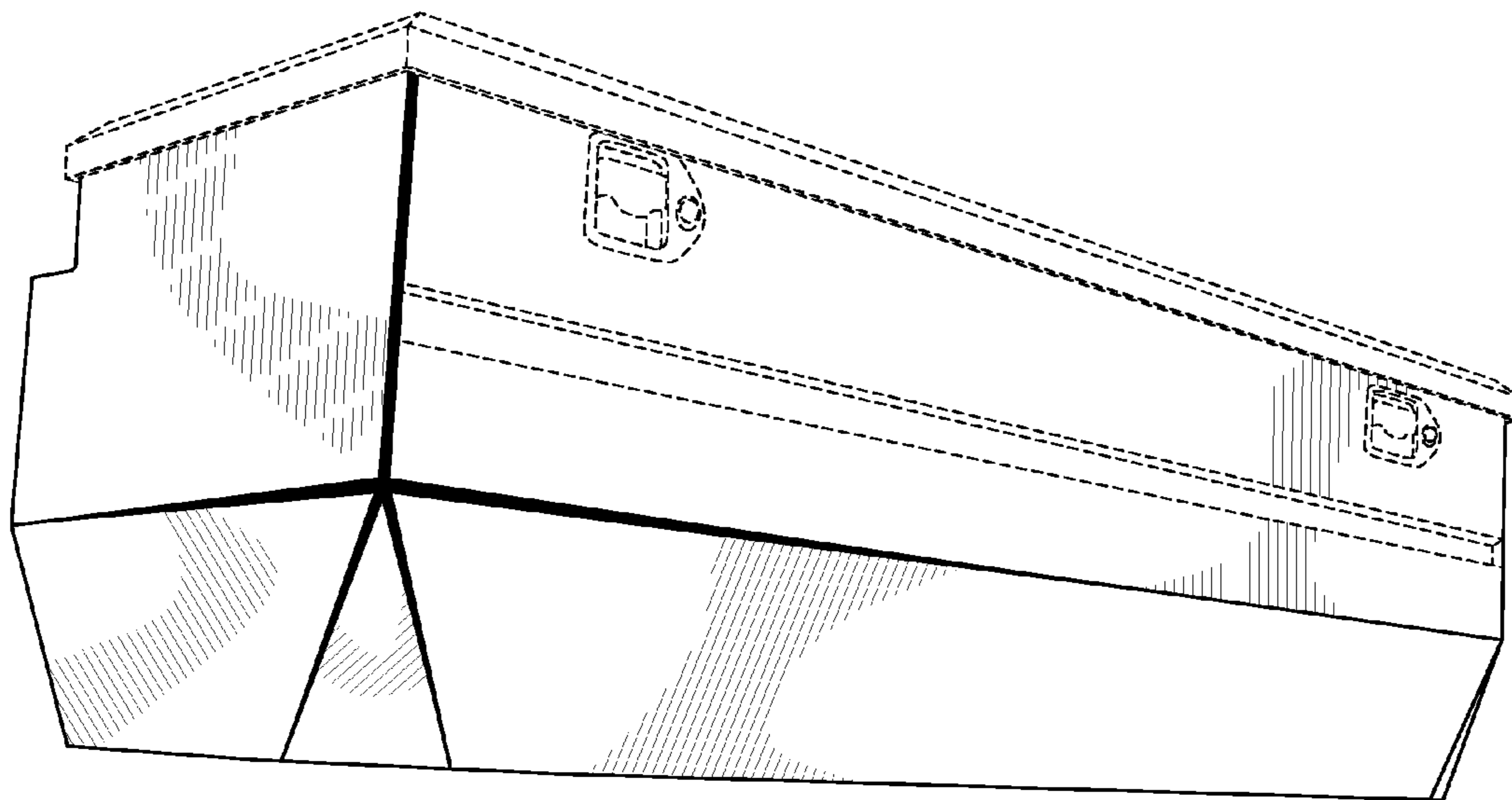


FIG. 2

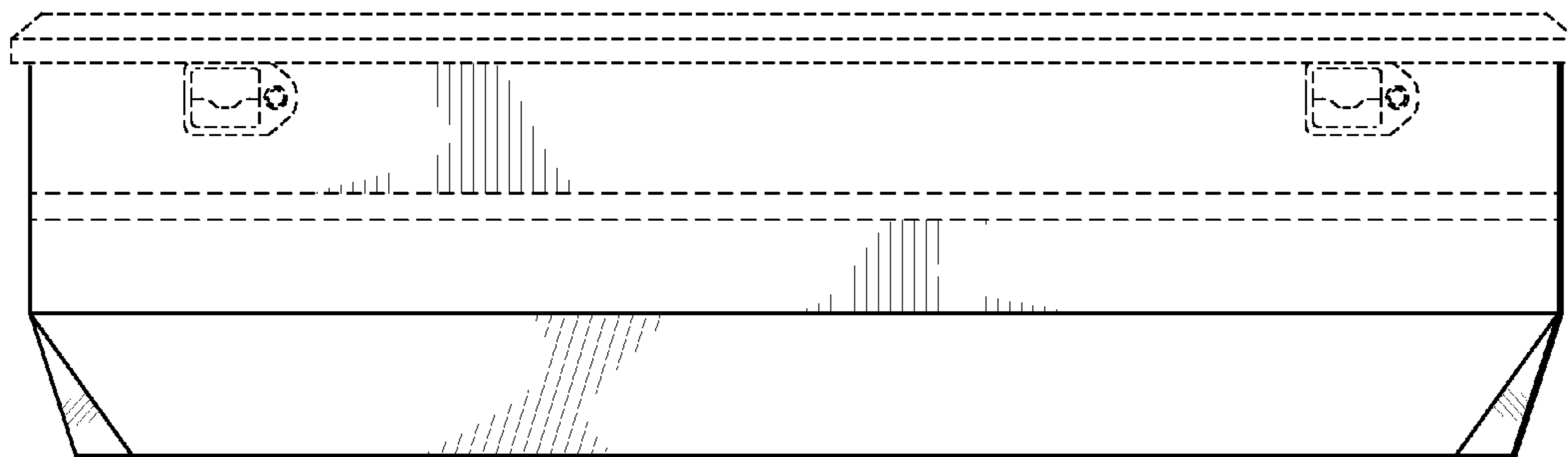


FIG. 3

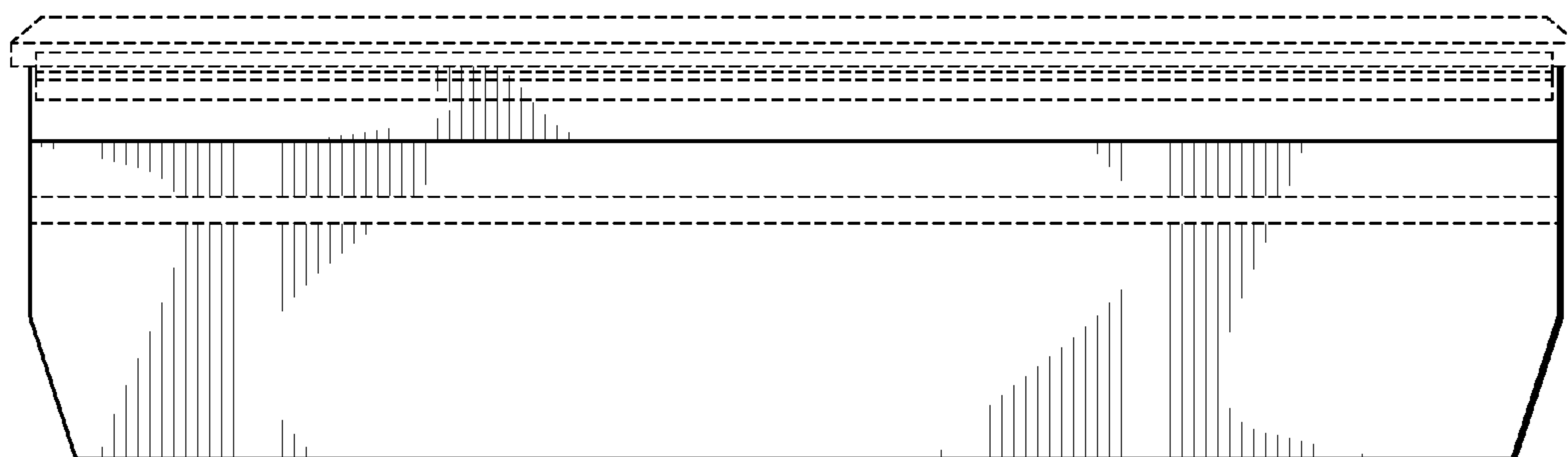


FIG. 4

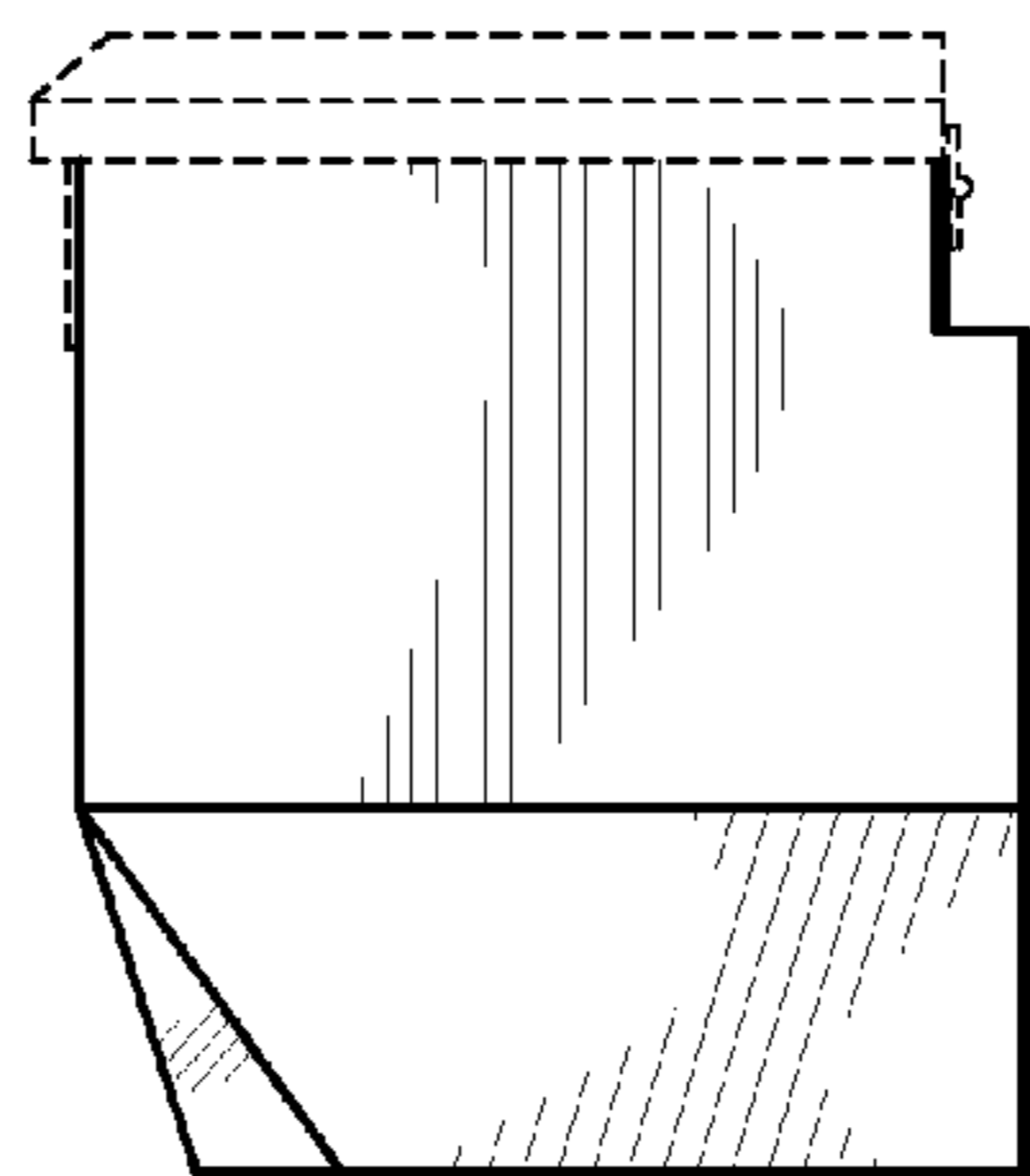


FIG. 5

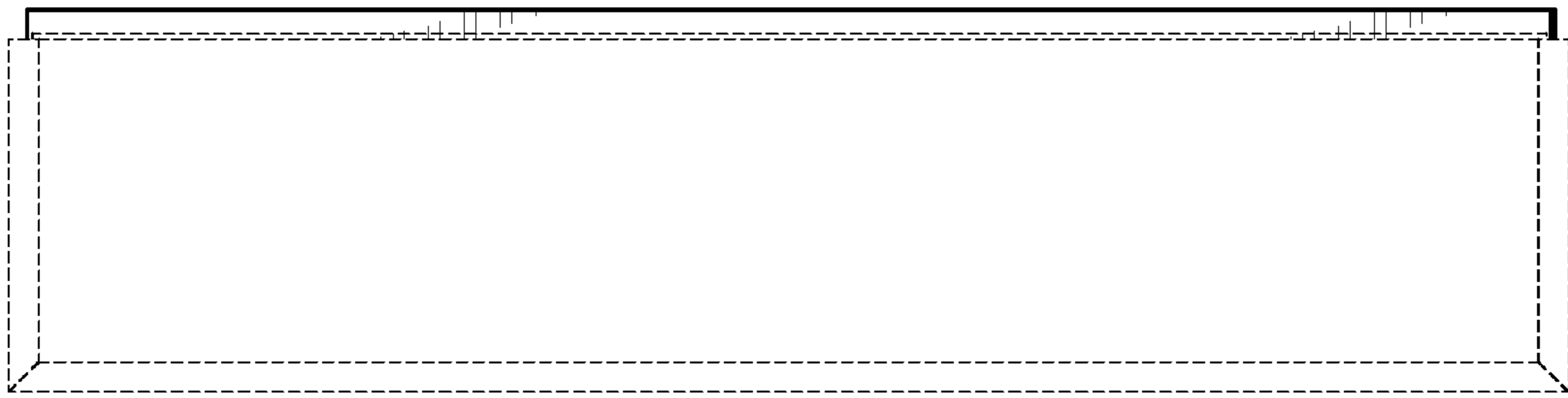


FIG. 6

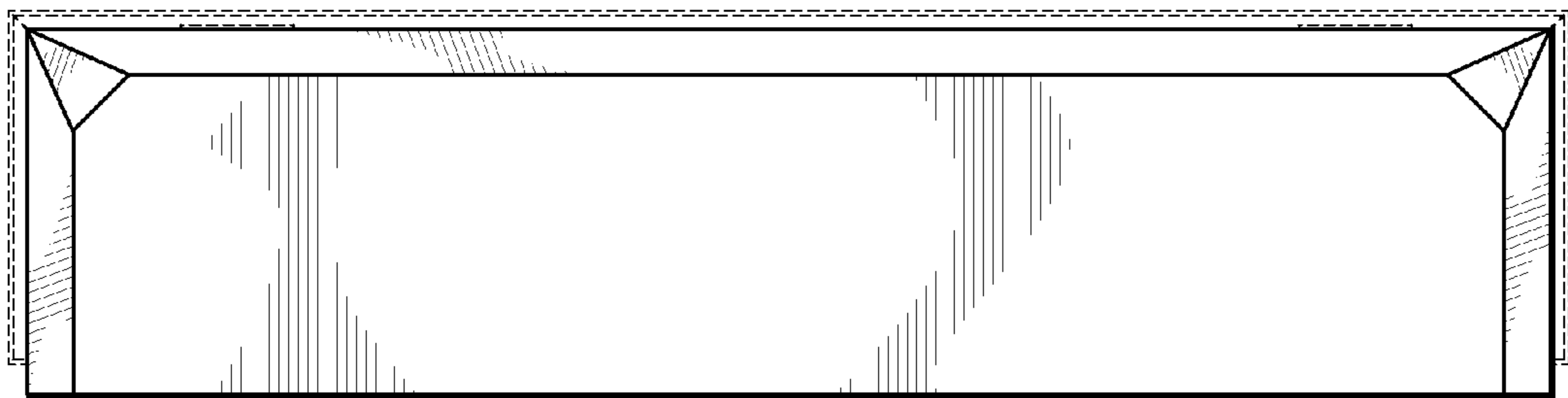


FIG. 7

UNITED STATES PATENT AND TRADEMARK OFFICE
CERTIFICATE OF CORRECTION

PATENT NO. : D771,544 S
APPLICATION NO. : 29/508502
DATED : November 15, 2016
INVENTOR(S) : John Christofferson

Page 1 of 1

It is certified that error appears in the above-identified patent and that said Letters Patent is hereby corrected as shown below:

On the Title Page

Item (73) that portion of the Assignee's name reading -hung- should read --Lung--.

Signed and Sealed this
Seventh Day of November, 2017



Joseph Matal

*Performing the Functions and Duties of the
Under Secretary of Commerce for Intellectual Property and
Director of the United States Patent and Trademark Office*