



US00D771543S

(12) **United States Design Patent**  
**Morita et al.**

(10) **Patent No.:** **US D771,543 S**  
(45) **Date of Patent:** **\*\* Nov. 15, 2016**

(54) **RETURN NOZZLE**  
(71) Applicant: **Hitachi Kokusai Electric Inc.**,  
Chiyoda-ku, Tokyo (JP)  
(72) Inventors: **Shinya Morita**, Toyama (JP);  
**Masahiro Miyake**, Toyama (JP);  
**Masato Terasaki**, Toyama (JP); **Naoki**  
**Matsumoto**, Toyama (JP); **Naonori**  
**Akae**, Toyama (JP)

6,024,300 A \* 2/2000 Bolton ..... B05B 11/0035  
222/637  
6,283,388 B1 \* 9/2001 Bolton ..... B05B 7/2405  
239/326  
6,832,734 B2 \* 12/2004 Rafferty ..... B05B 15/08  
239/222  
D514,662 S \* 2/2006 Zielke ..... D23/213  
7,080,888 B2 \* 7/2006 Hach ..... E04G 23/08  
299/17  
7,100,844 B2 \* 9/2006 McGuire ..... B08B 3/02  
175/424

(Continued)

(73) Assignee: **Hitachi Kokusai Electric Inc.**, Tokyo  
(JP)

*Primary Examiner* — Elizabeth J Oswecki  
(74) *Attorney, Agent, or Firm* — Miles & Stockbridge  
P.C.

(\*\*) Term: **14 Years**

(57) **CLAIM**

(21) Appl. No.: **29/518,878**

The ornamental design for a return nozzle, as shown and described.

(22) Filed: **Feb. 27, 2015**

**DESCRIPTION**

(30) **Foreign Application Priority Data**

Sep. 2, 2014 (JP) ..... D2014-019294

(51) **LOC (10) Cl.** ..... **23-01**

(52) **U.S. Cl.**  
USPC ..... **D12/213**

(58) **Field of Classification Search**  
USPC ..... D23/200, 213, 266; D15/144.2; D8/1,  
D8/2, 30, 60  
CPC ..... B24B 9/007; B24B 9/00; B08B 9/00;  
B08B 9/02; B08B 9/021; B08B 9/023;  
B08B 9/027; B08B 9/032; B08B 9/0321;  
B08B 9/0323; B08B 9/0328; B08B 9/035;  
B08B 9/0495; B08B 5/00; B08B 5/02;  
B05B 1/00; B05B 1/005; B05B 1/06;  
B05B 5/0537; B05B 5/0538; B05B 1/3093  
See application file for complete search history.

FIG. 1 is a front, bottom and right side perspective view of a return nozzle showing our new design; FIG. 2 is a front elevational view thereof; FIG. 3 is a rear elevational view thereof; FIG. 4 is a top plan view thereof; FIG. 5 is a bottom plan view thereof; FIG. 6 is a left side elevational view thereof; FIG. 7 is a right side elevational view thereof; FIG. 8 is an enlarged right side elevational view of FIG. 7 thereof; FIG. 9 is an enlarged view taken along line 9-9 in FIG. 2 thereof; FIG. 10 is an enlarged view taken along line 10-10 in FIG. 2 thereof; FIG. 11 is an enlarged view taken along line 11-11 in FIG. 4 thereof; FIG. 12 is an enlarged view taken along line 12-12 in FIG. 5 thereof; FIG. 13 is an enlarged cross sectional view taken along line 13-13 in FIG. 11 thereof; and, FIG. 14 is an enlarged cross sectional view taken along line 14-14 in FIG. 12.

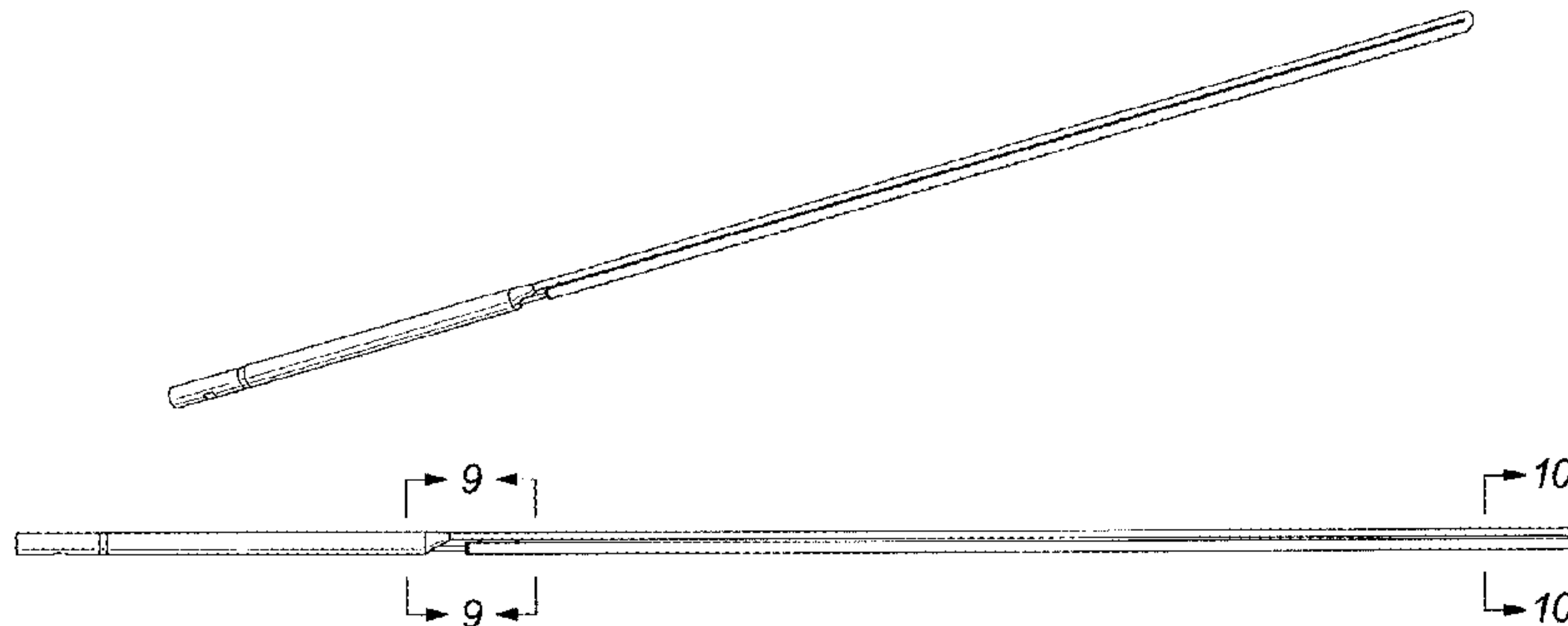
The broken lines in the drawings form no part of the claimed design.

(56) **References Cited**

**U.S. PATENT DOCUMENTS**

D322,341 S \* 12/1991 Zito ..... D23/213  
5,135,170 A \* 8/1992 Takeda ..... B05B 15/10  
239/204

**1 Claim, 5 Drawing Sheets**



# US D771,543 S

Page 2

---

(56)

## References Cited

### U.S. PATENT DOCUMENTS

D617,416 S \* 6/2010 Chen ..... D23/223  
D638,911 S \* 5/2011 Laski ..... D23/213  
D641,830 S \* 7/2011 Alexander ..... D23/213

D684,662 S \* 6/2013 Cordani ..... D23/223  
D693,901 S \* 11/2013 Zwaan ..... D19/66  
D730,487 S \* 5/2015 Bergstrom ..... D23/213  
2004/0074988 A1\* 4/2004 Sternbach ..... B05B 1/046  
239/284.1

\* cited by examiner

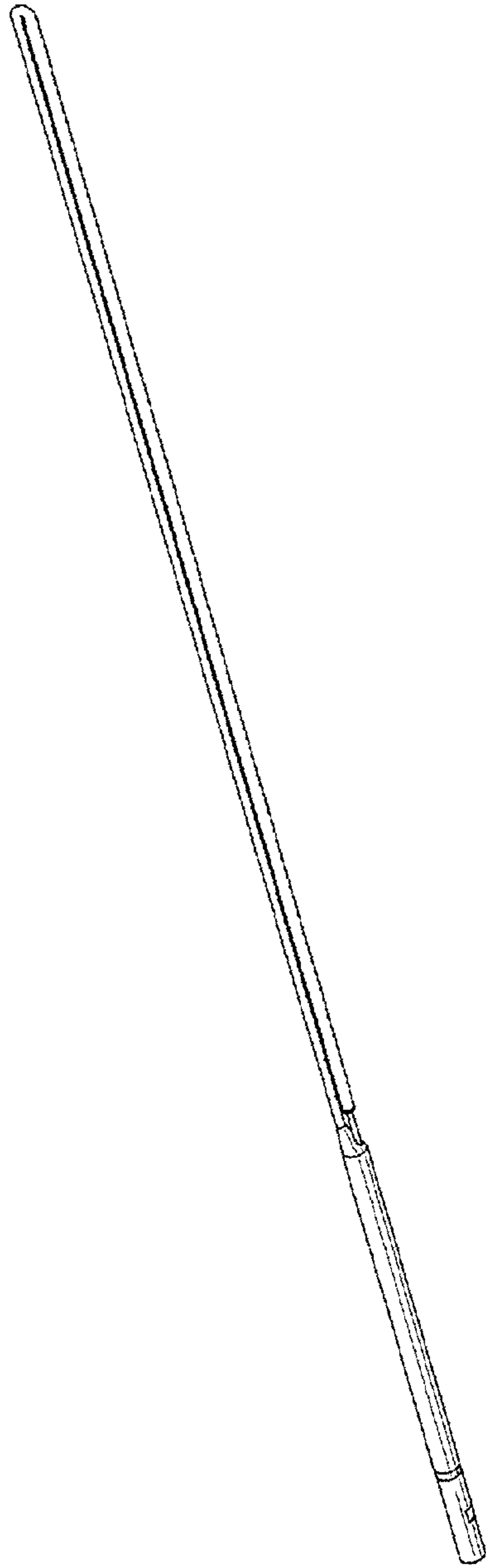


FIG. 1

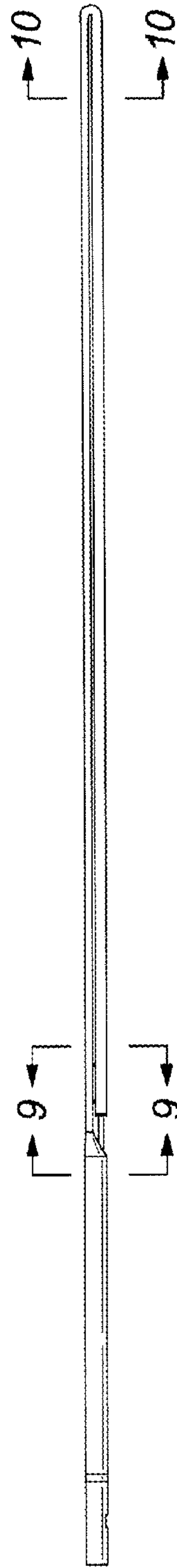


FIG. 2

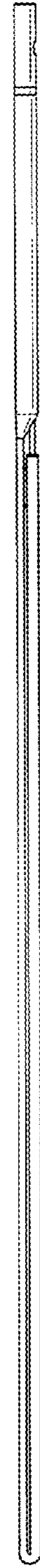


FIG. 3

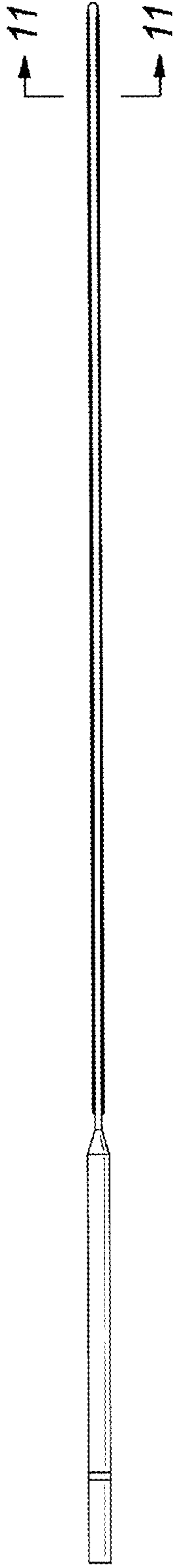


FIG. 4

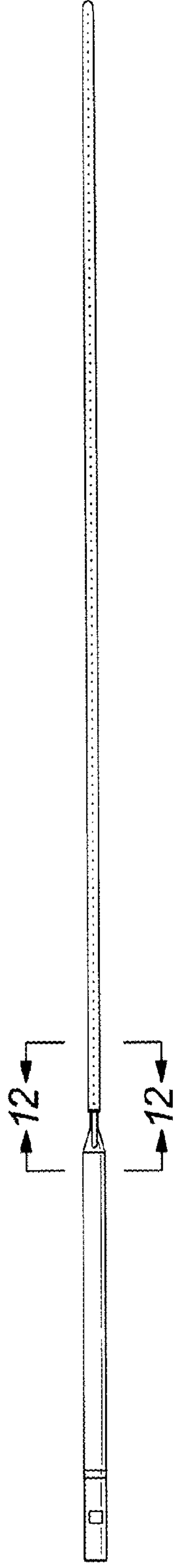


FIG. 5



FIG. 6

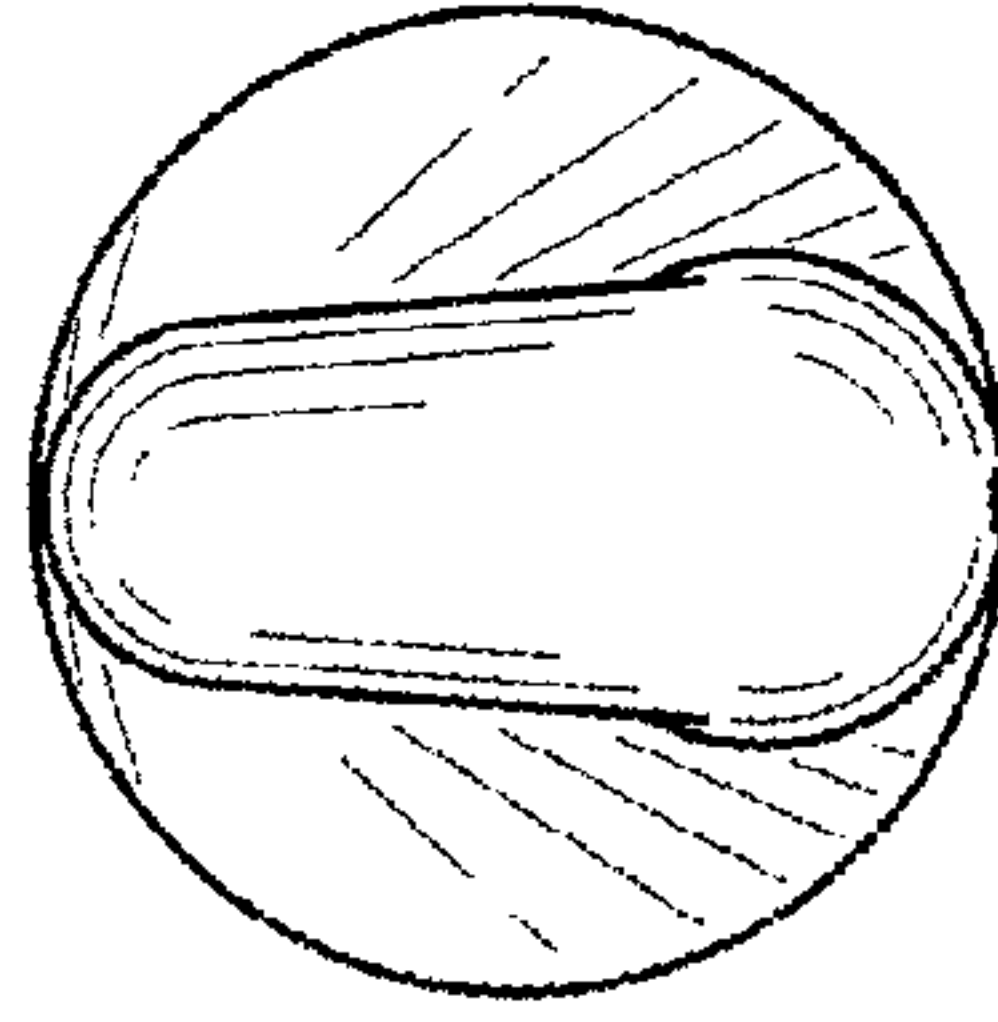


FIG. 7



FIG. 8

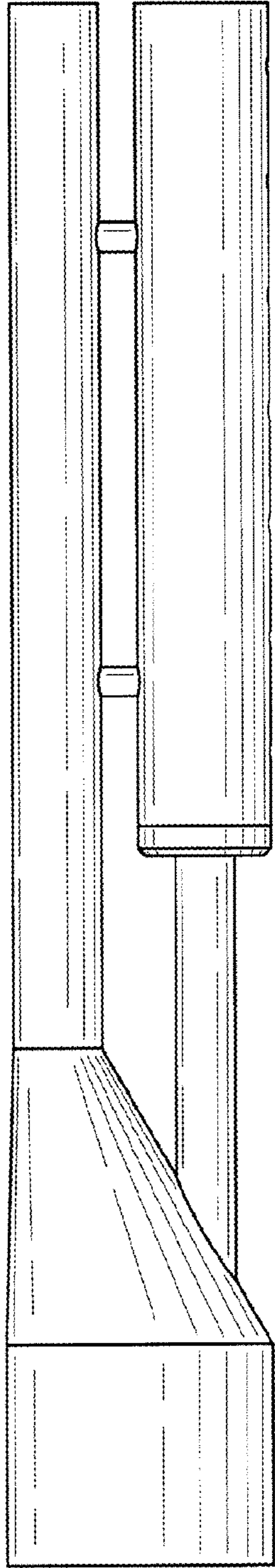


FIG. 9

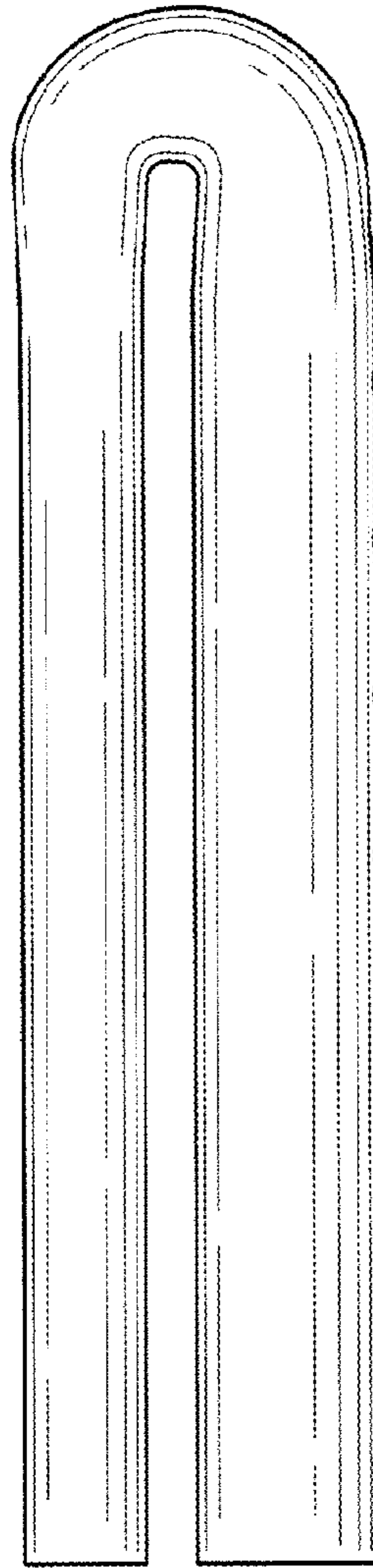


FIG. 10



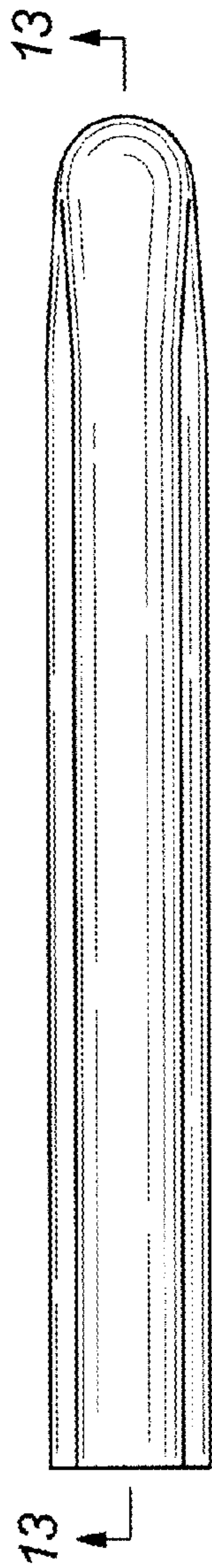


FIG. 11

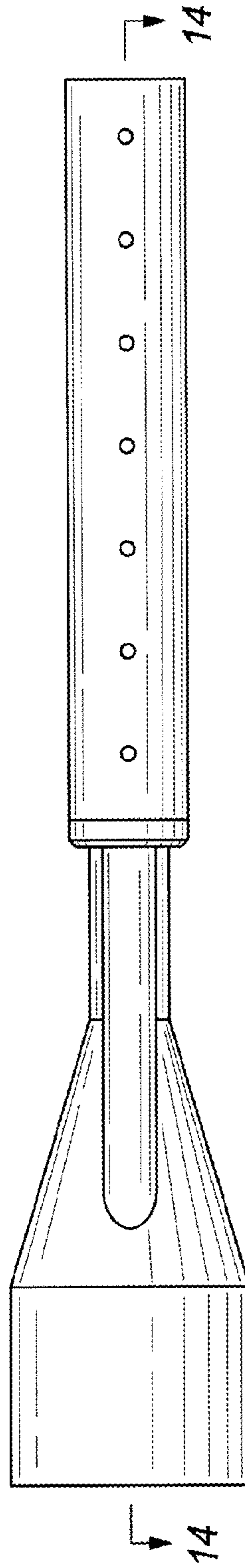


FIG. 12

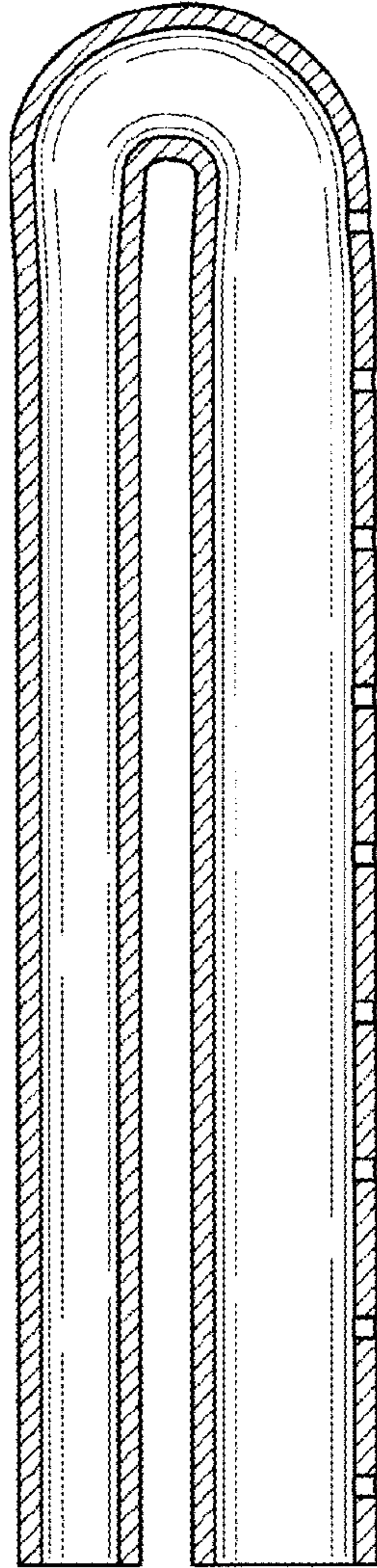


FIG. 13

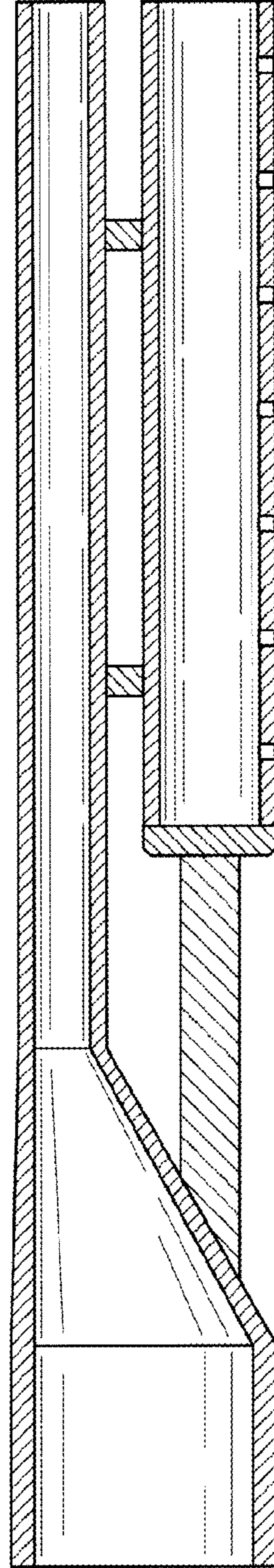


FIG. 14