



US00D771539S

(12) **United States Design Patent** (10) **Patent No.:** **US D771,539 S**
Brzustowicz et al. (45) **Date of Patent:** **** Nov. 15, 2016**

(54) **HOOD FOR A VEHICLE**
(71) Applicant: **Daimler AG**, Stuttgart (DE)
(72) Inventors: **John Brzustowicz**, Portland, OR (US);
Donald Vena, Vancouver, WA (US);
Paul Shead, Beaverton, OR (US)
(73) Assignee: **Daimler AG**, Stuttgart (DE)
(**) Term: **14 Years**
(21) Appl. No.: **29/510,234**
(22) Filed: **Nov. 26, 2014**

D654,417 S * 2/2012 Peltola D12/196
D708,986 S * 7/2014 Conway D12/96
D709,407 S * 7/2014 Conway D12/96
D709,408 S * 7/2014 Peltola D12/96

FOREIGN PATENT DOCUMENTS

GB 2513202 A 10/2014

OTHER PUBLICATIONS

“Hybrid Electric”. Found online Dec. 9, 2015 at daimler-trucksnorthamerica.com. Page dated Jul. 18, 2012. Retrieved from <http://web.archive.org/.../20120718065236/http://www.daimler-trucksnorthamerica.com/news/featurearticle/alternativefuels/hybrid-electric.aspx>.*

(Continued)

(30) **Foreign Application Priority Data**

May 27, 2014 (EM) 002471250-0005

(51) **LOC (10) Cl.** **12-08**

(52) **U.S. Cl.**
USPC **D12/173**; D12/96

(58) **Field of Classification Search**
USPC D12/12, 86, 90, 91, 93, 96, 97, 167,
D12/169, 172, 173, 196; 296/24.4, 180.1,
296/180.2, 180.3, 181.1, 181.2, 181.3,
296/181.4, 181.5; 180/69.2, 69.21, 69.22,
180/89.1, 89.12, 89.17, 242, 449
CPC B60R 13/0838
See application file for complete search history.

Primary Examiner — Robert M Spear
Assistant Examiner — Kendra L Hamilton
(74) *Attorney, Agent, or Firm* — Crowell & Moring LLP

(57) **CLAIM**

The ornamental design for a hood for a vehicle, as shown and described.

DESCRIPTION

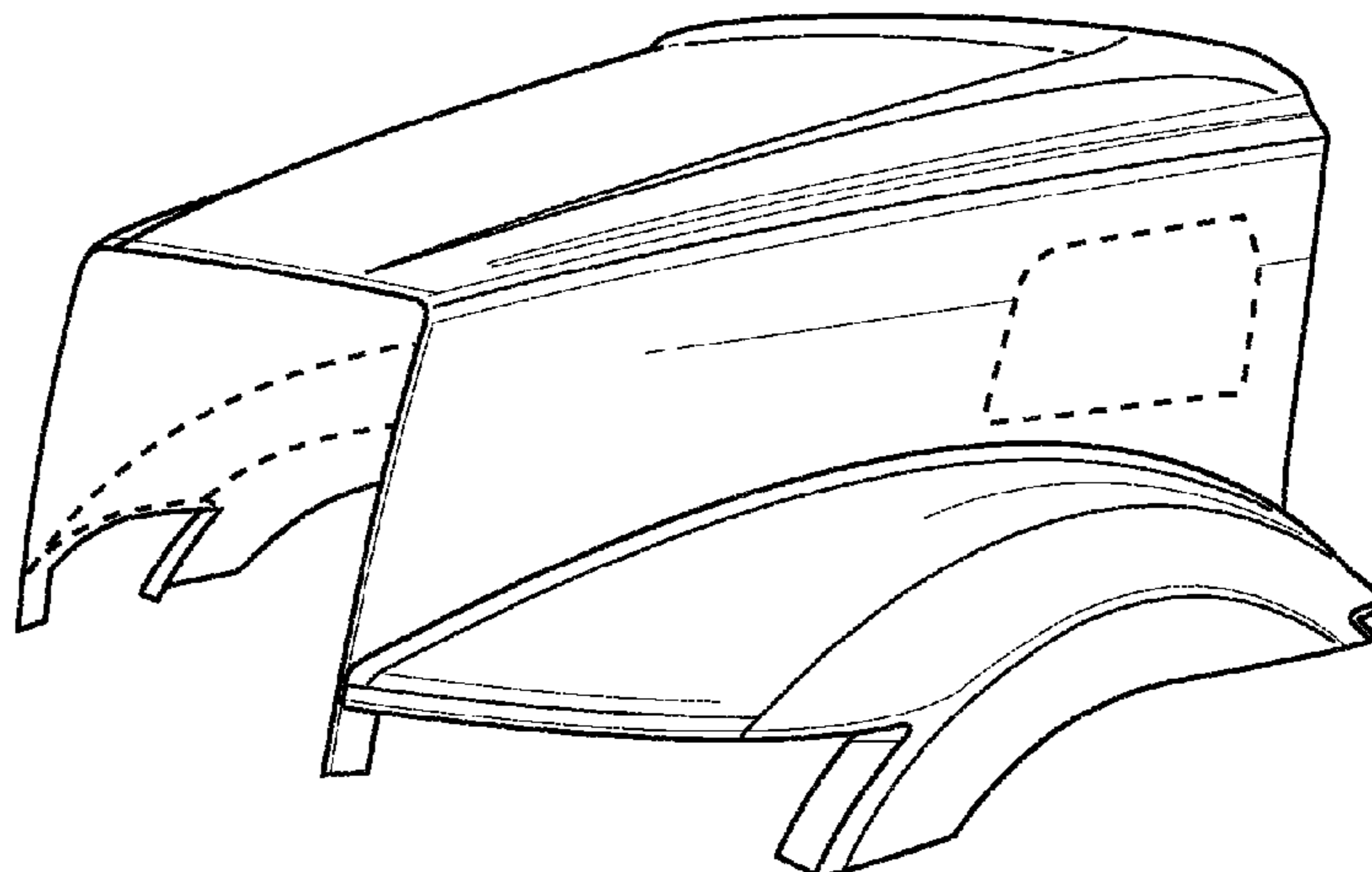
This application contains subject matter related to the following U.S. design patent application:
Application Ser. No. 29/509,784, filed Nov. 21, 2014 and entitled “Vehicle, Toy, and/or Replicas Thereof.”
FIG. 1 is a top, right perspective view of a hood for a vehicle according to the new design, the top, left perspective view being a mirror image thereof;
FIG. 2 is a right side elevational view thereof, the left side elevational view being a mirror image thereof;
FIG. 3 is a top plan view thereof; and,
FIG. 4 is a front elevational view thereof.
In the drawings, the broken lines depict environmental subject matter only and form no part of the claimed design.

(56) **References Cited**

U.S. PATENT DOCUMENTS

D382,841 S * 8/1997 Norwood D12/173
D436,563 S * 1/2001 Delashaw D12/173
D445,384 S * 7/2001 Tirey D12/173
D484,077 S * 12/2003 Conway D12/173
D502,901 S * 3/2005 Delashaw D12/173
D540,725 S * 4/2007 Gunter D12/173
D556,654 S * 12/2007 Lee D12/173
D588,512 S * 3/2009 Raghavendran D12/173
D647,832 S * 11/2011 Medina D12/173

1 Claim, 2 Drawing Sheets



(56)

References Cited

OTHER PUBLICATIONS

“AB Big Rig Weekend 2010”. Found online Dec. 9, 2015 at pro-truckermagazine.com. Page dated 2010. Retrieved from [http://pro-truckermagazine.com/past-big-rig-weekends/ab-big-rig-weekends/ab-big-rig-weekend-2010/#Lightbox\[5668796441842\]/0](http://pro-truckermagazine.com/past-big-rig-weekends/ab-big-rig-weekends/ab-big-rig-weekend-2010/#Lightbox[5668796441842]/0).*

“Transformers 4: Meet the upgraded Optimus Prime, new Autobots,” Hero Complex, Los Angeles Times, May 30, 2013.

“Western Star Introduces the All-New 5700XE,” Western Star Trucks Press Releases, Daimler Trucks North America, Sep. 11, 2014.

* cited by examiner

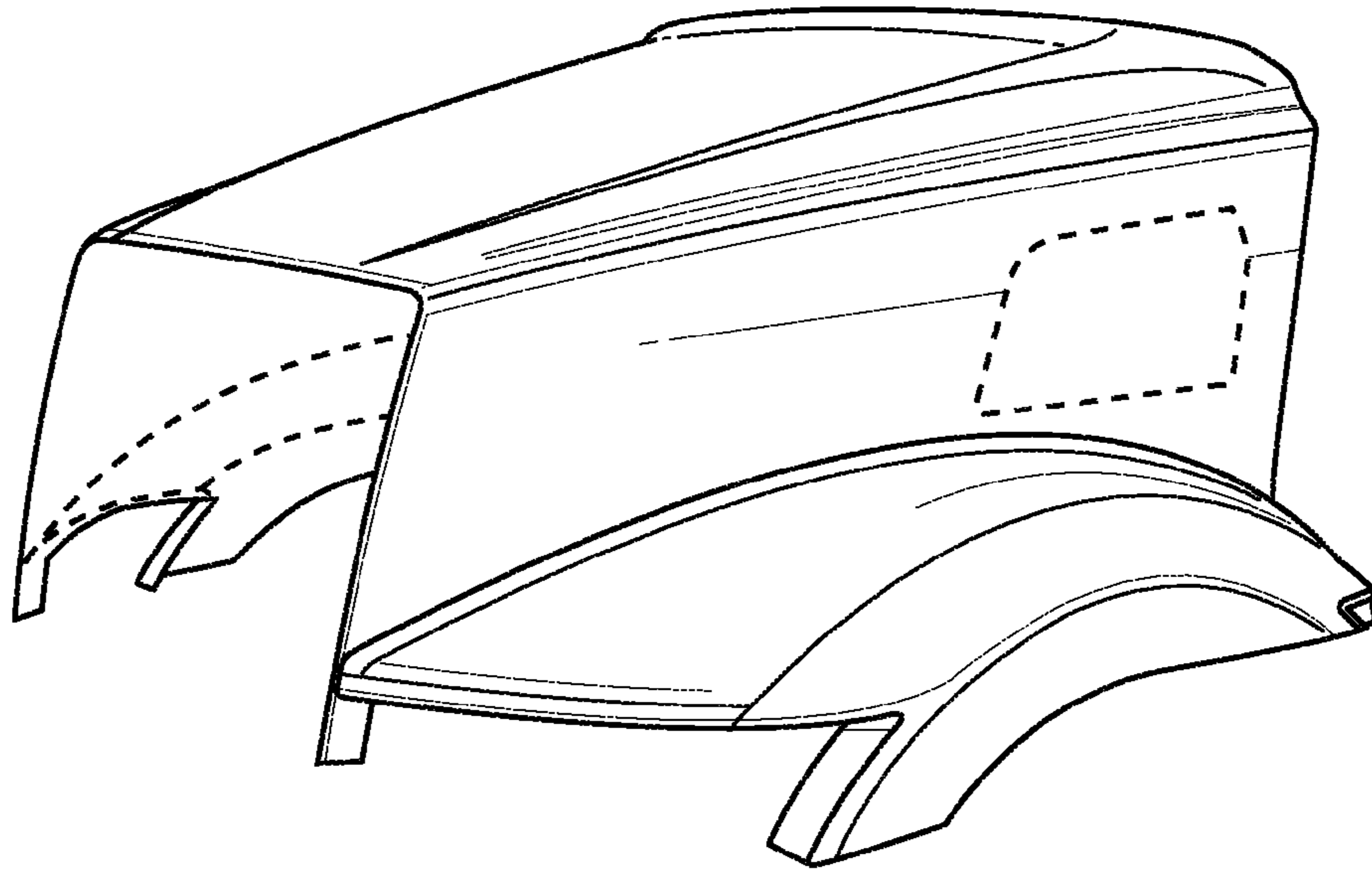


FIG. 1

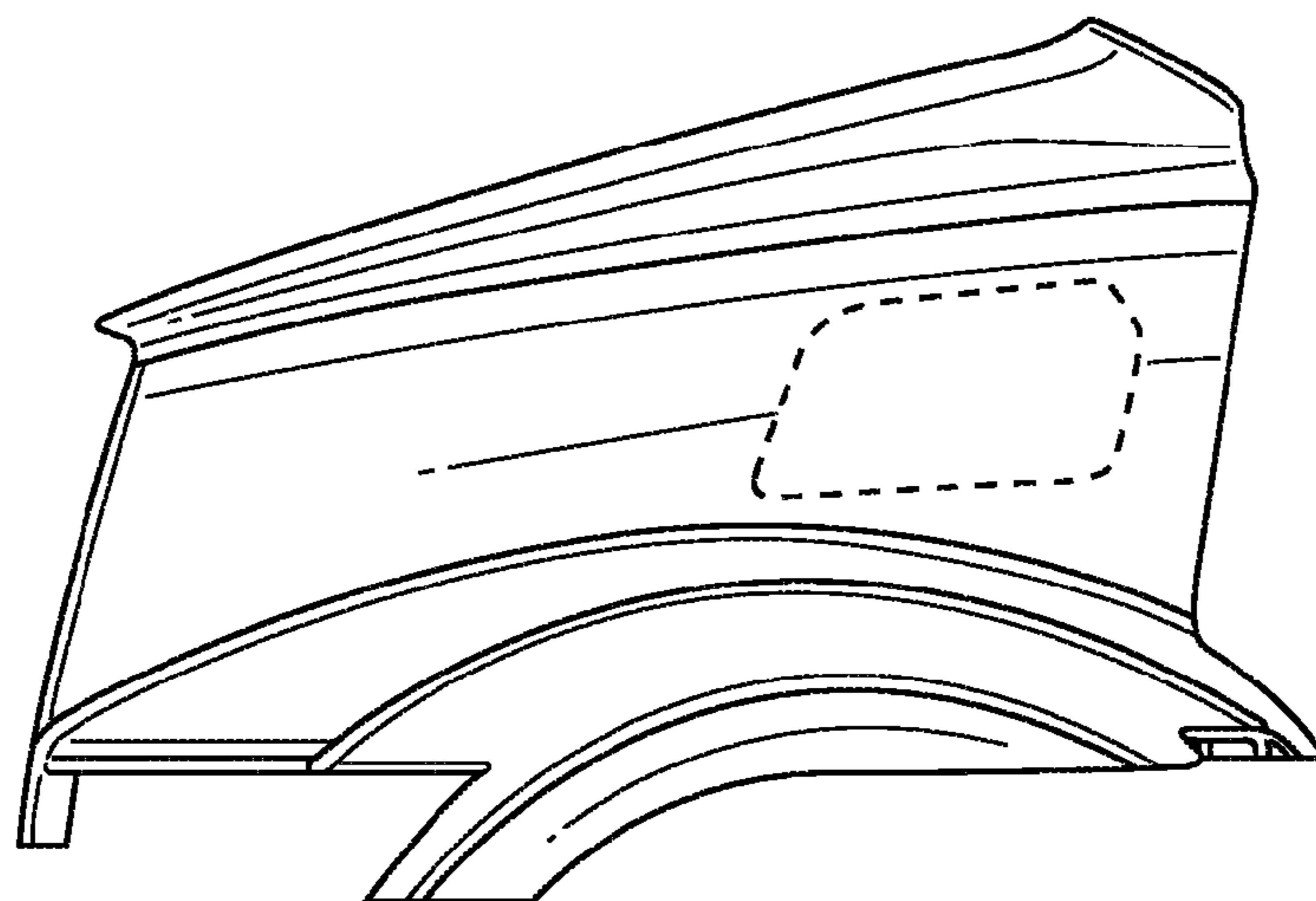


FIG. 2

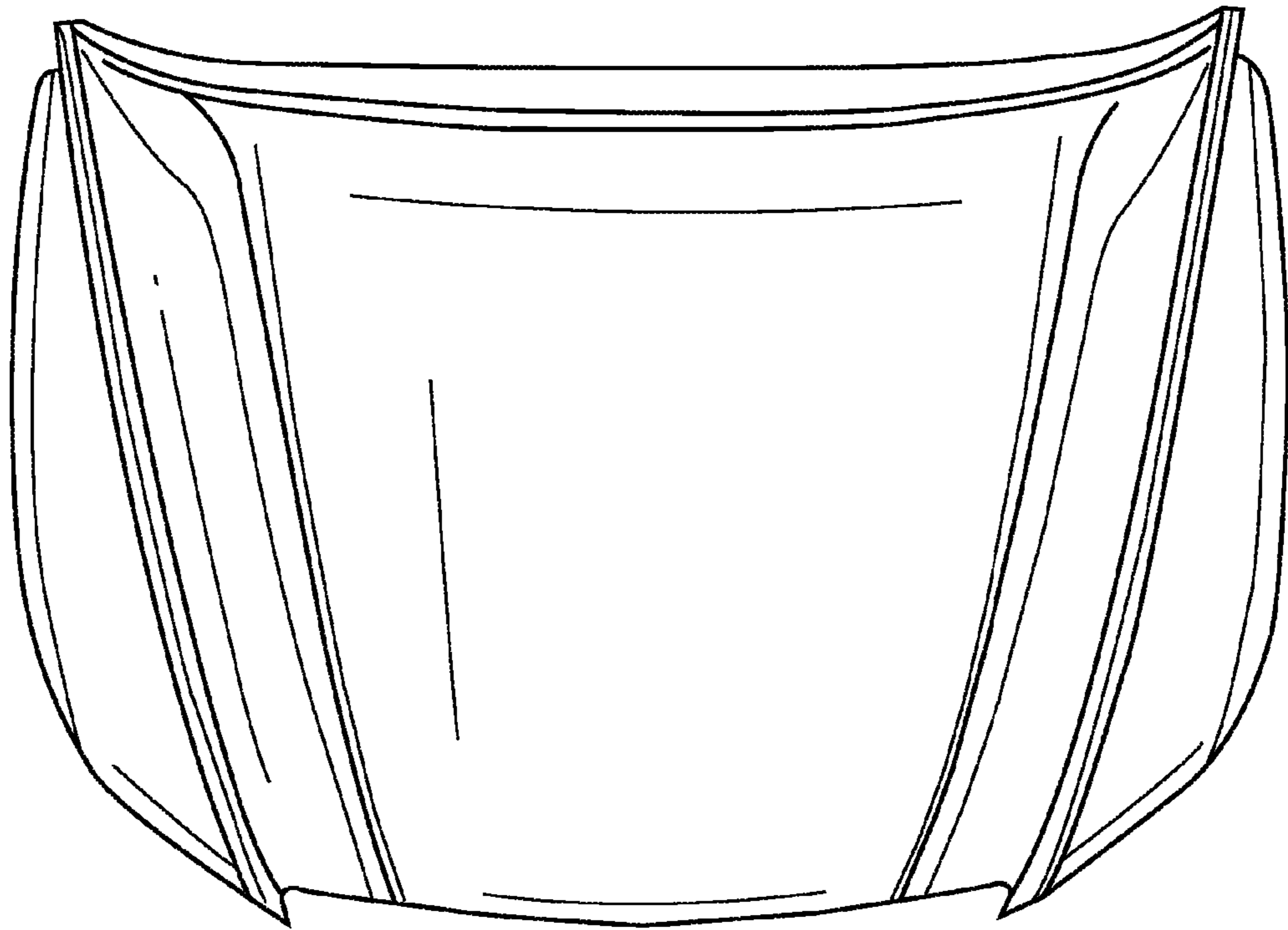


FIG. 3

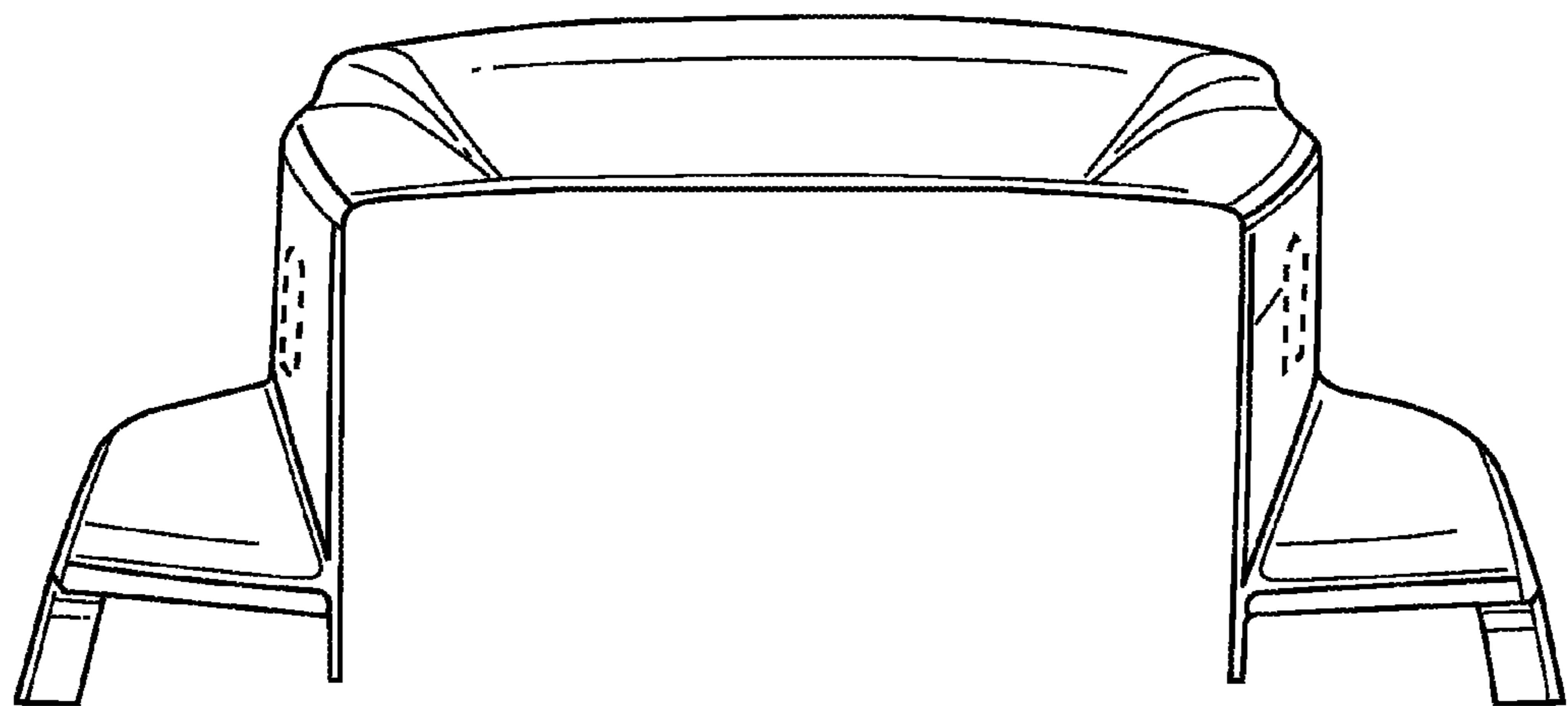


FIG. 4