

US00D771530S

(12) **United States Design Patent** (10) **Patent No.:** **US D771,530 S**
Schneider (45) **Date of Patent:** **** Nov. 15, 2016**

(54) **FRONT BUMPER FOR A VEHICLE**
(71) Applicant: **Bayerische Motoren Werke Aktiengesellschaft, Munich (DE)**
(72) Inventor: **Alexander Schneider, Munich (DE)**
(73) Assignee: **Bayerische Motoren Werke Aktiengesellschaft, Munich (DE)**
(**) Term: **14 Years**

D561,072 S * 2/2008 Golden D12/169
D563,843 S * 3/2008 Kido D12/169
D573,068 S * 7/2008 Gresens D12/169
D711,295 S * 8/2014 Mackay D12/169
D737,740 S * 9/2015 Goeppel D12/169
D738,799 S * 9/2015 Goeppel D12/169

* cited by examiner

Primary Examiner — Melody N Brown
(74) *Attorney, Agent, or Firm* — Crowell & Moring LLP

(21) Appl. No.: **29/518,112**
(22) Filed: **Feb. 20, 2015**

(57) **CLAIM**
The ornamental design for a front bumper for a vehicle, as shown and described.

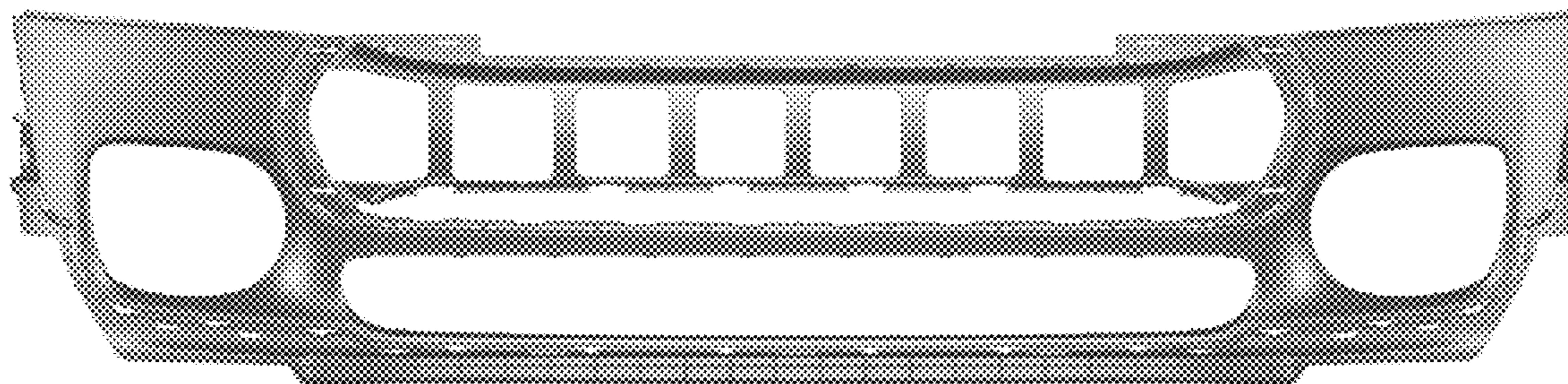
(30) **Foreign Application Priority Data**
Aug. 21, 2014 (DE) 40 2014 100 781
(51) **LOC (10) Cl.** **12-16**
(52) **U.S. Cl.**
USPC **D12/169**
(58) **Field of Classification Search**
USPC D12/169, 216, 90-92, 86, 171, 196,
D12/163; 293/102, 113, 115, 117, 120;
296/180.1, 180.2
CPC B60R 19/52; B60R 2019/25; B62D
25/0845
See application file for complete search history.

DESCRIPTION

This application contains subject matter related to the following co-pending U.S. design patent applications: Application Ser. No. 29/489,245, filed Apr. 29, 2014 and entitled "Front Bumper for a Vehicle"; Application Ser. No. 29/489,246, filed Apr. 29, 2014 and entitled "Front Bumper for a Vehicle"; and Application Ser. No. 29/518,111, filed herewith and entitled "Vehicle, Toy, and/or Replicas Thereof".
FIG. 1 is a front view of a front bumper for a vehicle according to the design;
FIG. 2 is a right perspective view thereof;
FIG. 3 is a left perspective view thereof;
FIG. 4 is a right side view thereof;
FIG. 5 is a top view thereof;
FIG. 6 is a bottom view thereof; and,
FIG. 7 is a rear view thereof.

(56) **References Cited**
U.S. PATENT DOCUMENTS
D548,146 S * 8/2007 Schiavone D12/169
D560,144 S * 1/2008 Tant D12/169

1 Claim, 7 Drawing Sheets



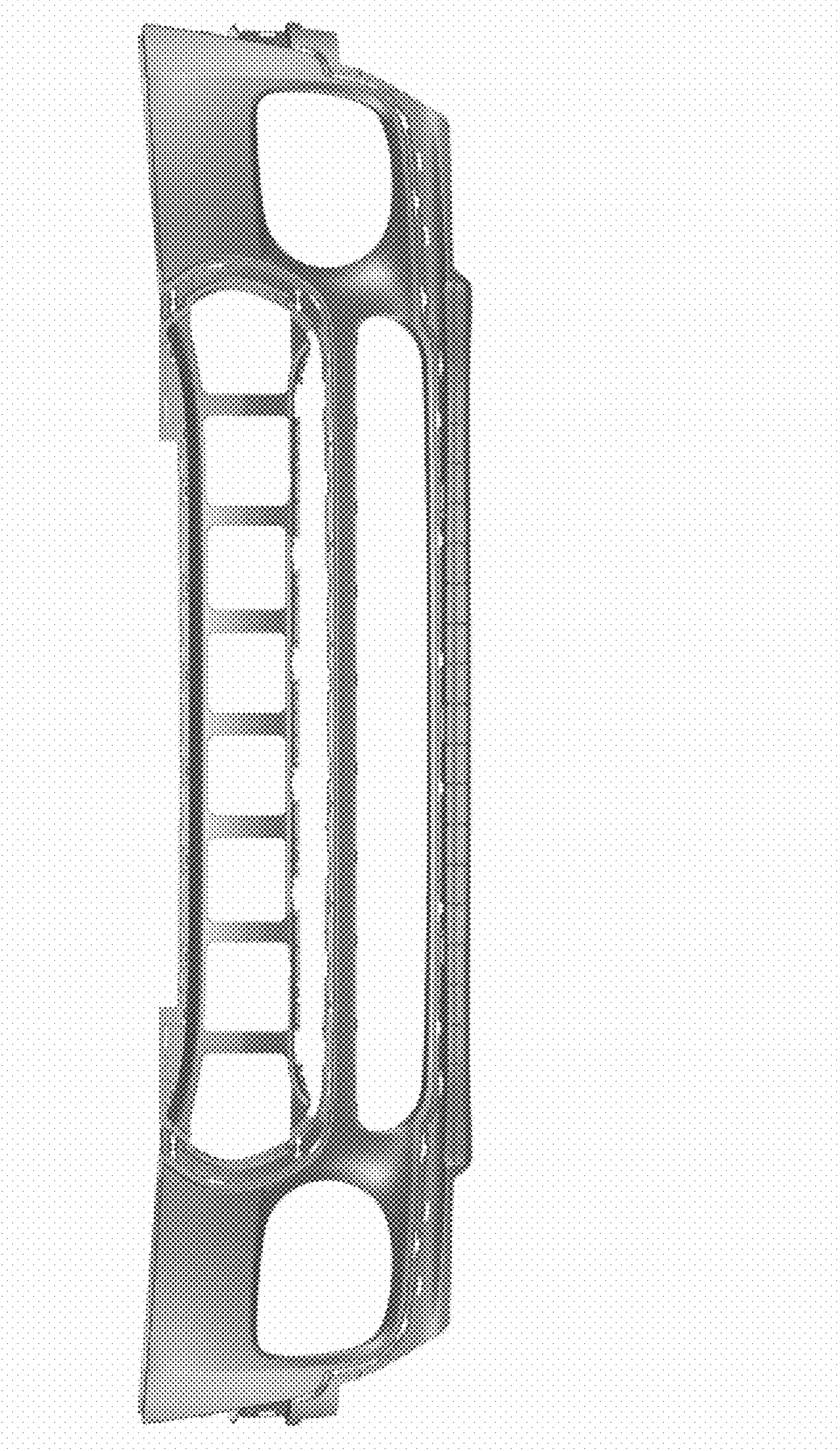


Fig. 1



Fig. 2



Fig. 3

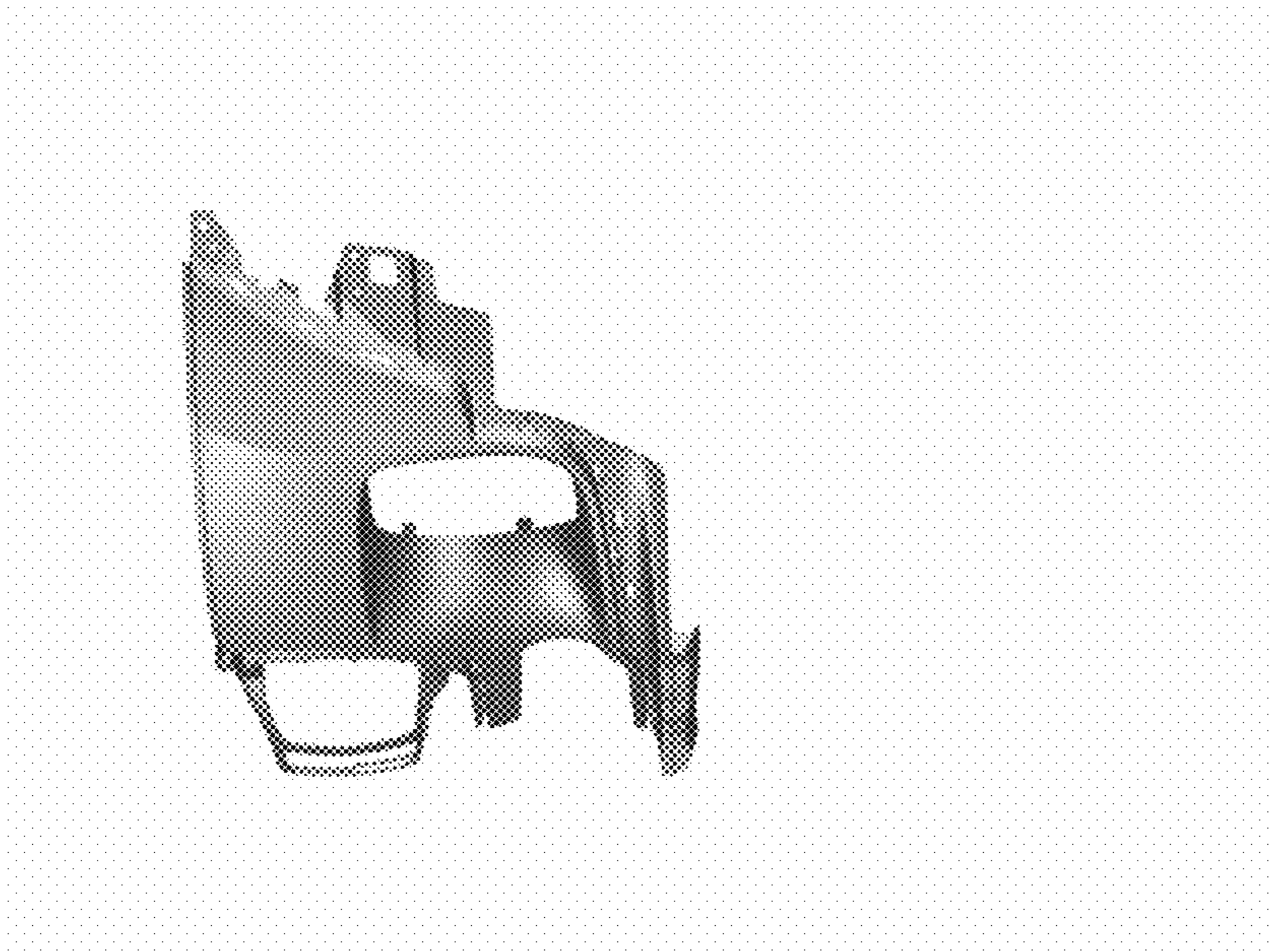


Fig. 4

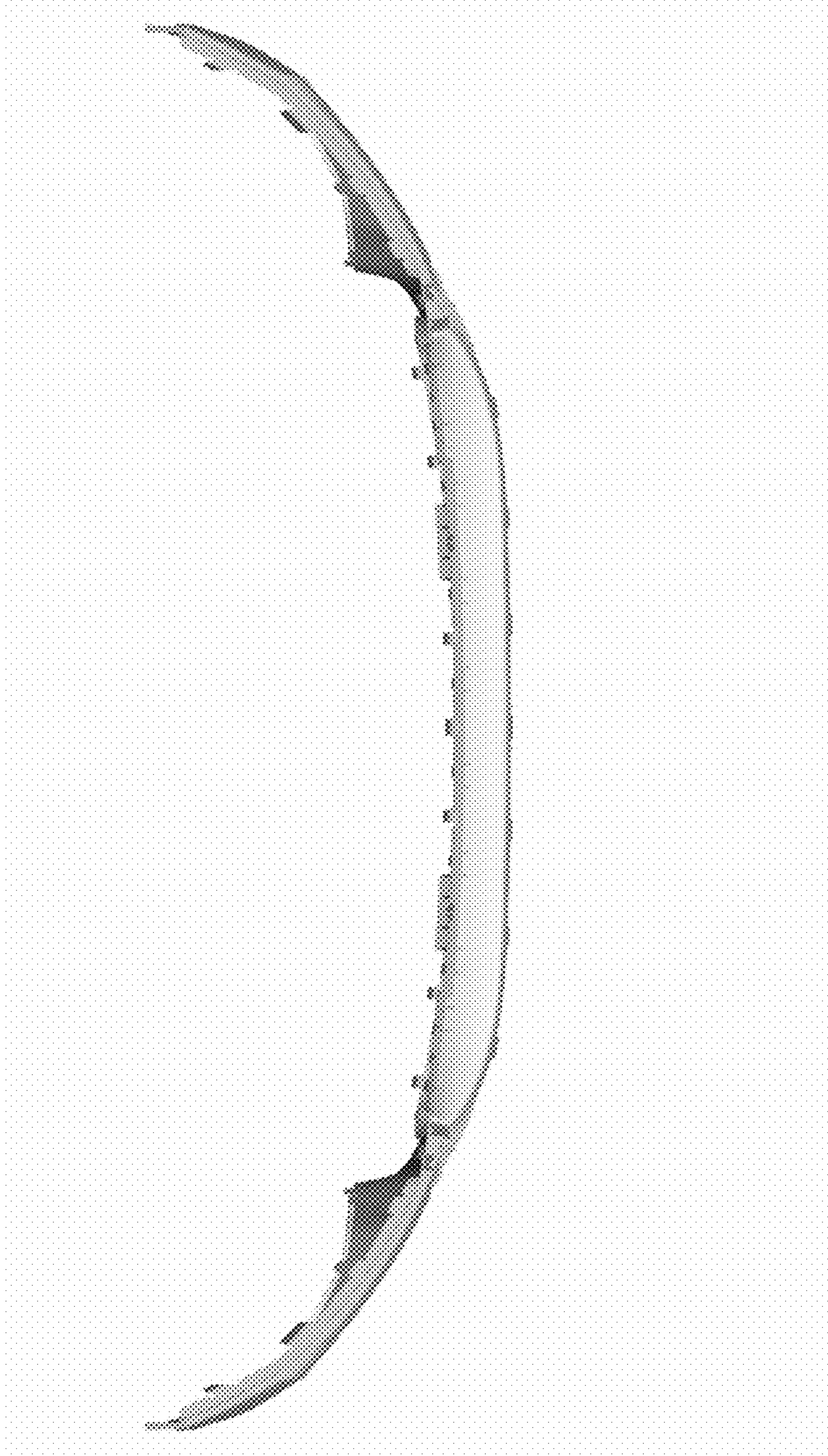


Fig. 5

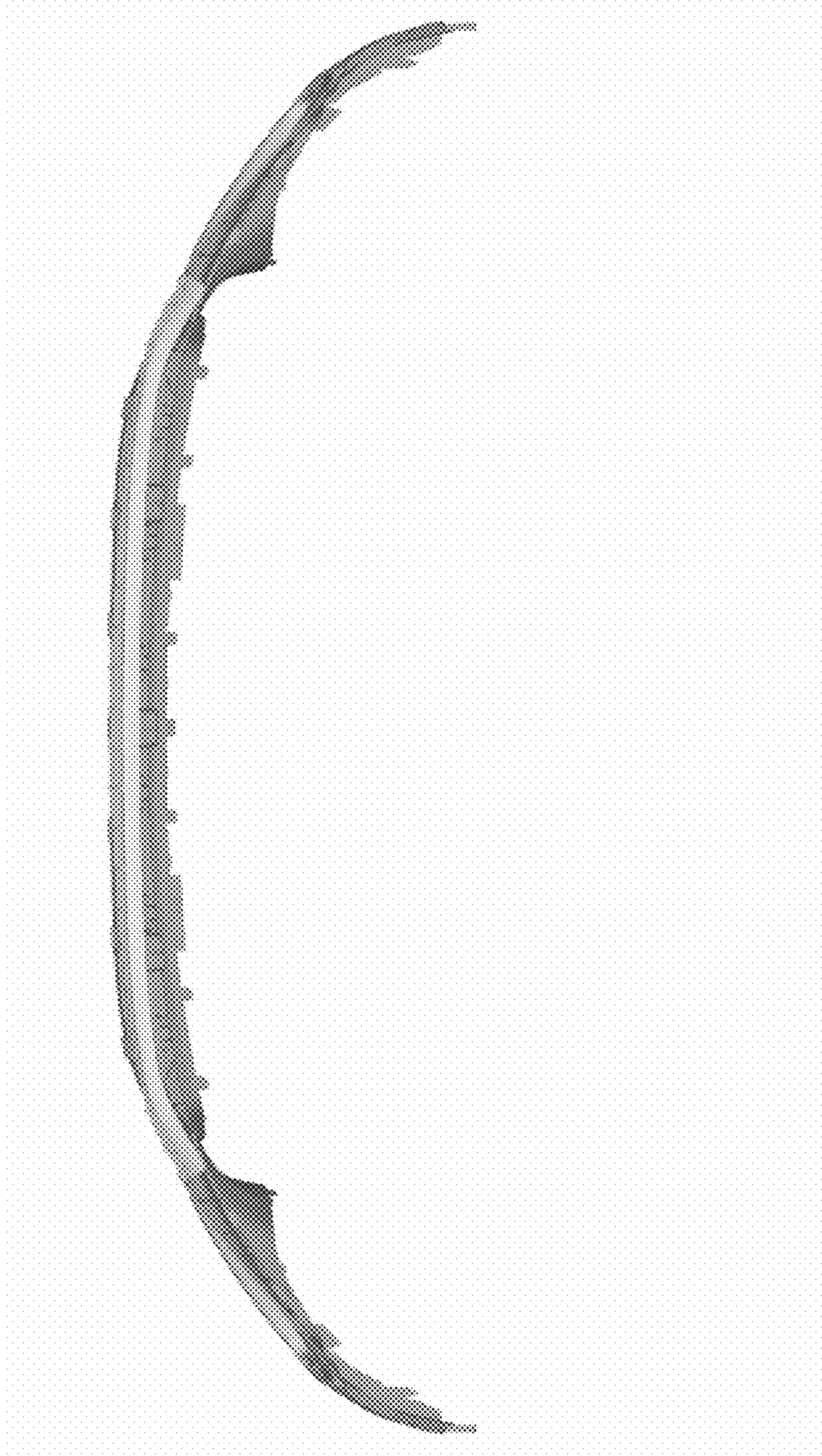


Fig. 6

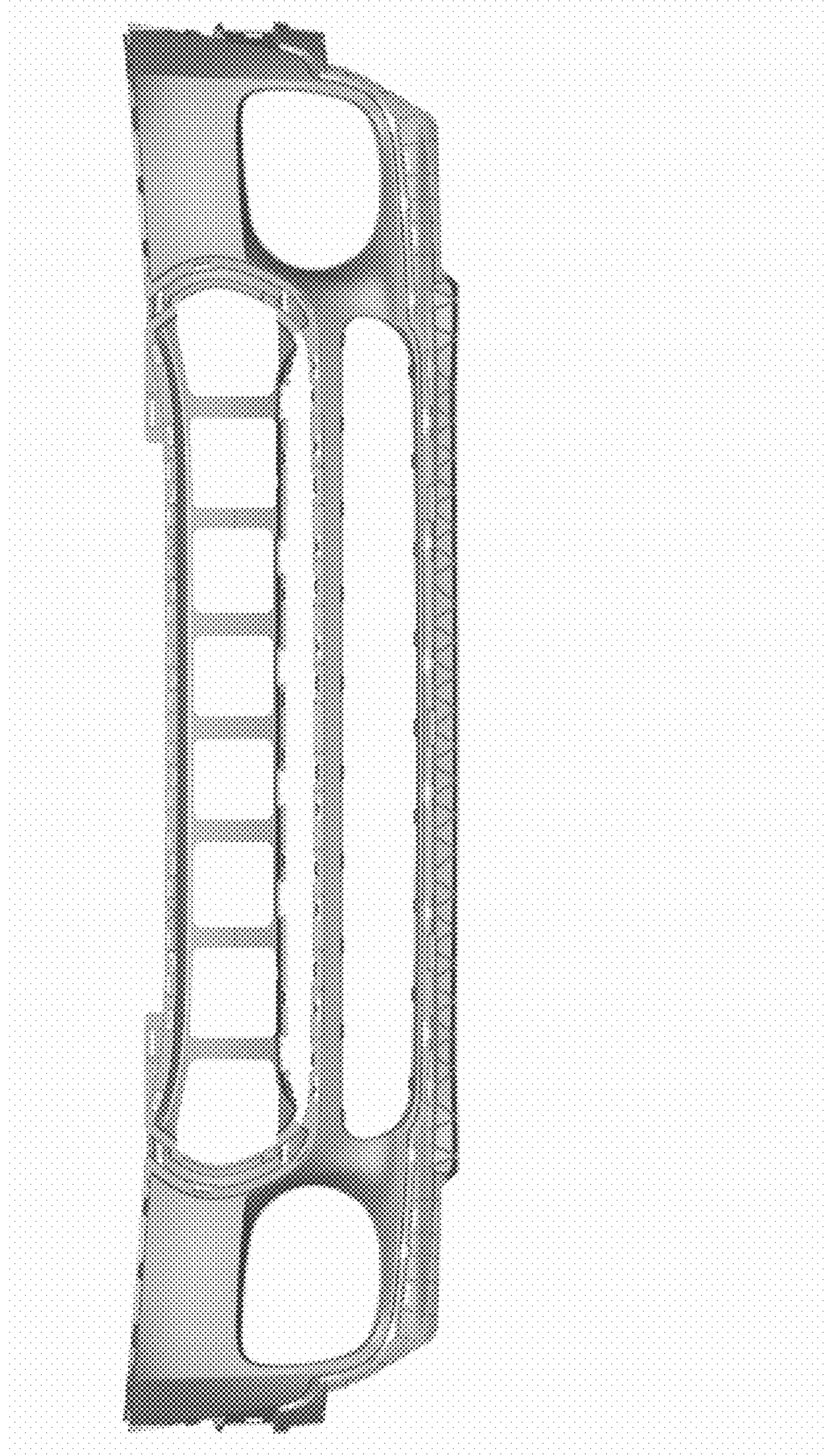


Fig. 7