



US00D771526S

(12) **United States Design Patent**
Baron

(10) **Patent No.:** **US D771,526 S**

(45) **Date of Patent:** **** Nov. 15, 2016**

(54) **COVER**

(71) Applicant: **Peter Baron**, Huntington Beach, CA
(US)

(72) Inventor: **Peter Baron**, Huntington Beach, CA
(US)

(**) Term: **15 Years**

(21) Appl. No.: **29/537,398**

(22) Filed: **Aug. 25, 2015**

(51) **LOC (10) Cl.** **12-16**

(52) **U.S. Cl.**
USPC **D12/162**

(58) **Field of Classification Search**
USPC D12/162, 159, 160, 161
CPC B60D 1/60; B60D 1/065; B60D 1/00;
B60D 1/06
See application file for complete search history.

(56) **References Cited**

U.S. PATENT DOCUMENTS

5,775,139	A *	7/1998	Sellers	B60D 1/60 280/507
6,406,052	B1 *	6/2002	Bale	B60D 1/60 280/507
7,107,799	B1 *	9/2006	Marley	B60D 1/60 280/507
D618,598	S *	6/2010	Edwards	D12/162
D698,285	S *	1/2014	Mason	D12/162

D743,307	S *	11/2015	Bale	D12/162
D749,020	S *	2/2016	McFarland	D12/162
2014/0000327	A1 *	1/2014	Madruga	E05B 65/0089 70/466
2014/0008246	A1 *	1/2014	Pfeiffer	A45C 11/00 206/1.5

* cited by examiner

Primary Examiner — Katrina A Betton
(74) *Attorney, Agent, or Firm* — CIONCA Law Group
P.C.; Marin Cionca

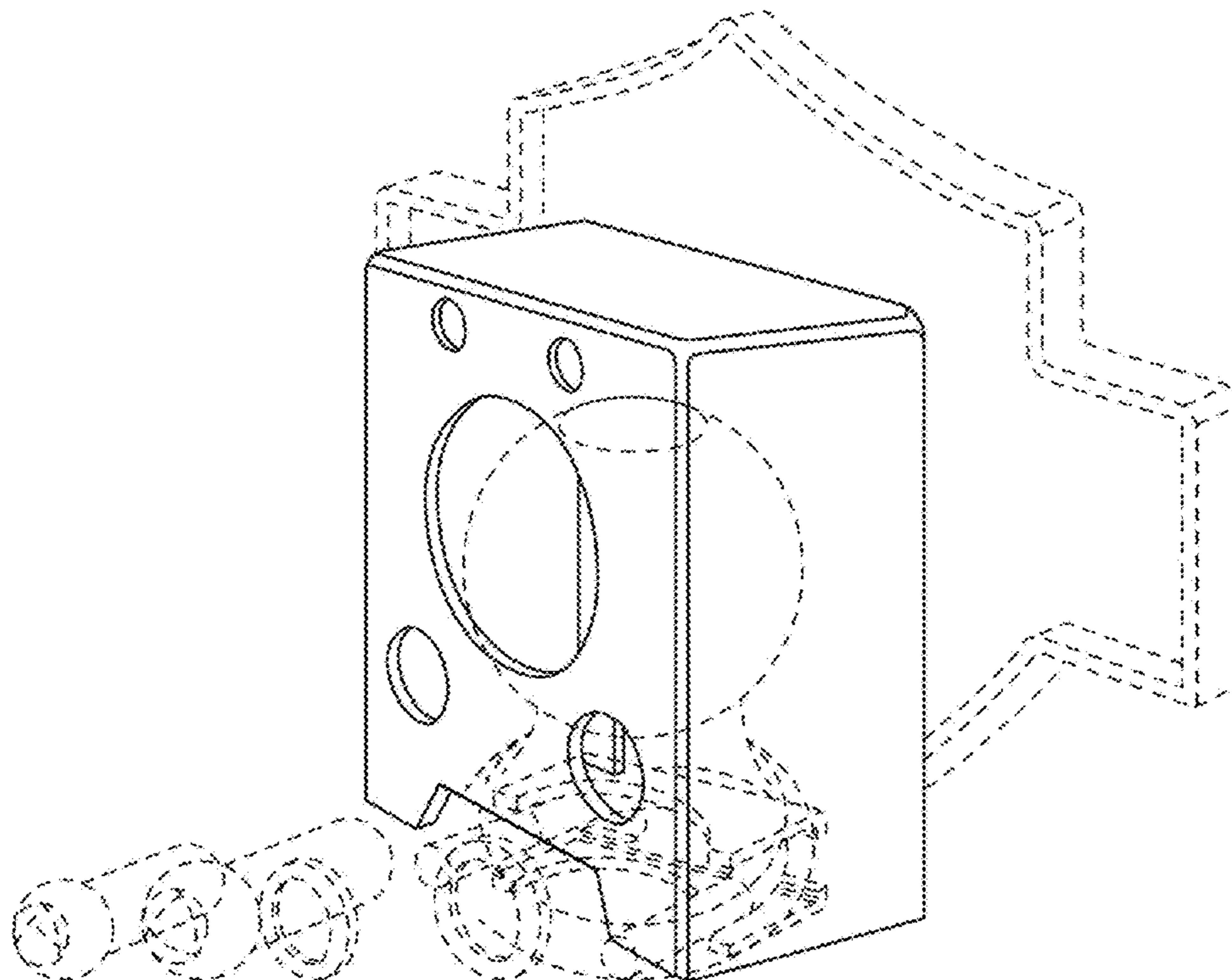
(57) **CLAIM**

The ornamental design of a cover, as shown and described.

DESCRIPTION

FIG. 1 is a front perspective view of a cover showing the new design;
FIG. 2 is a back perspective view thereof;
FIG. 3 is a front plan view thereof;
FIG. 4 is a back plan view thereof;
FIG. 5 is a side plan view thereof, the left and right sides being similar;
FIG. 6 is a top plan view thereof;
FIG. 7 is a bottom plan view thereof; and,
FIG. 8 is a back perspective view of the cover of FIG. 1 in use, together with an exploded perspective view of the environmental structure.
The broken lines shown in the drawings are included for the purpose of illustrating environmental structure and form no part of the claimed design.

1 Claim, 4 Drawing Sheets



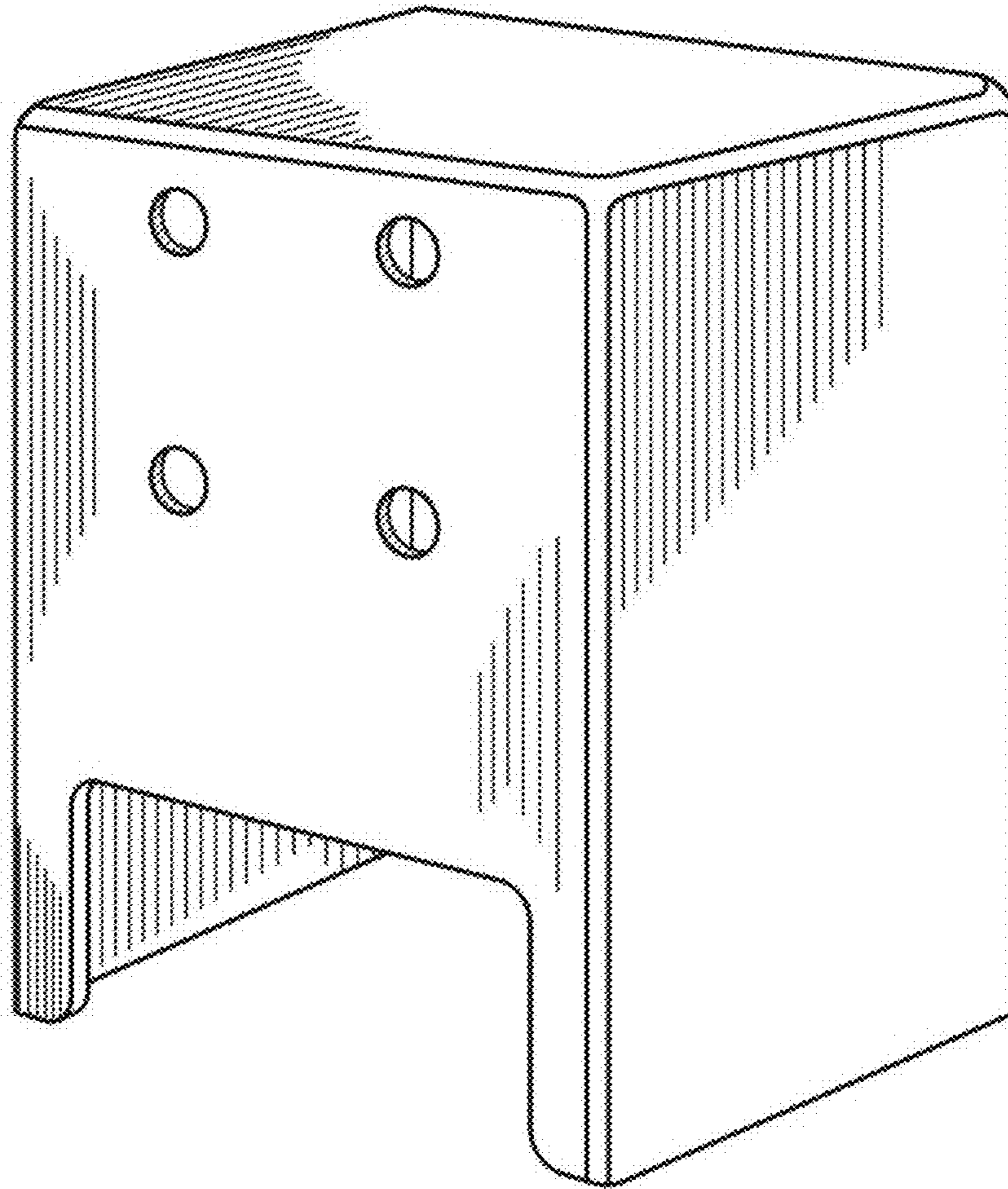


FIG. 1

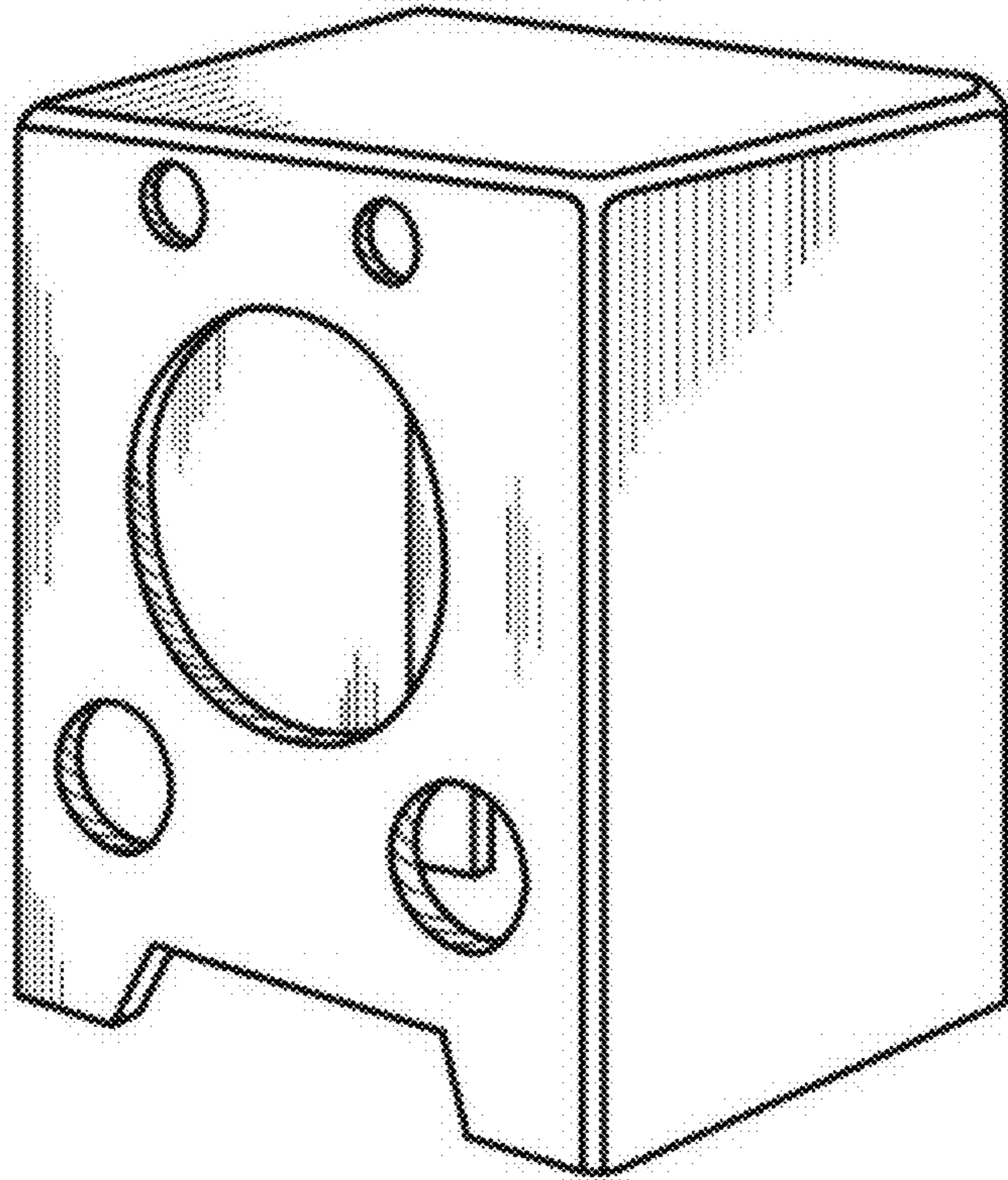


FIG. 2

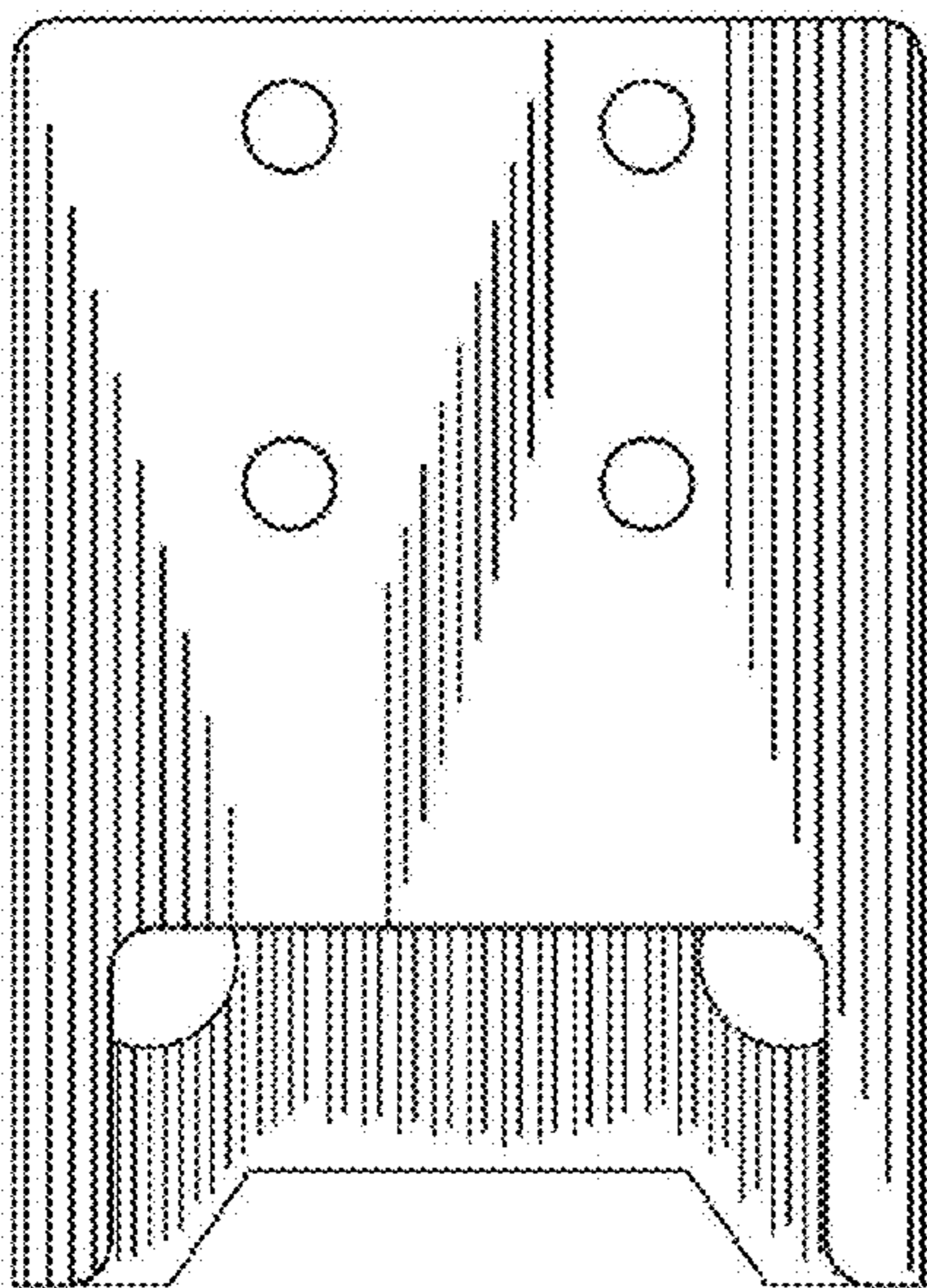


FIG. 3

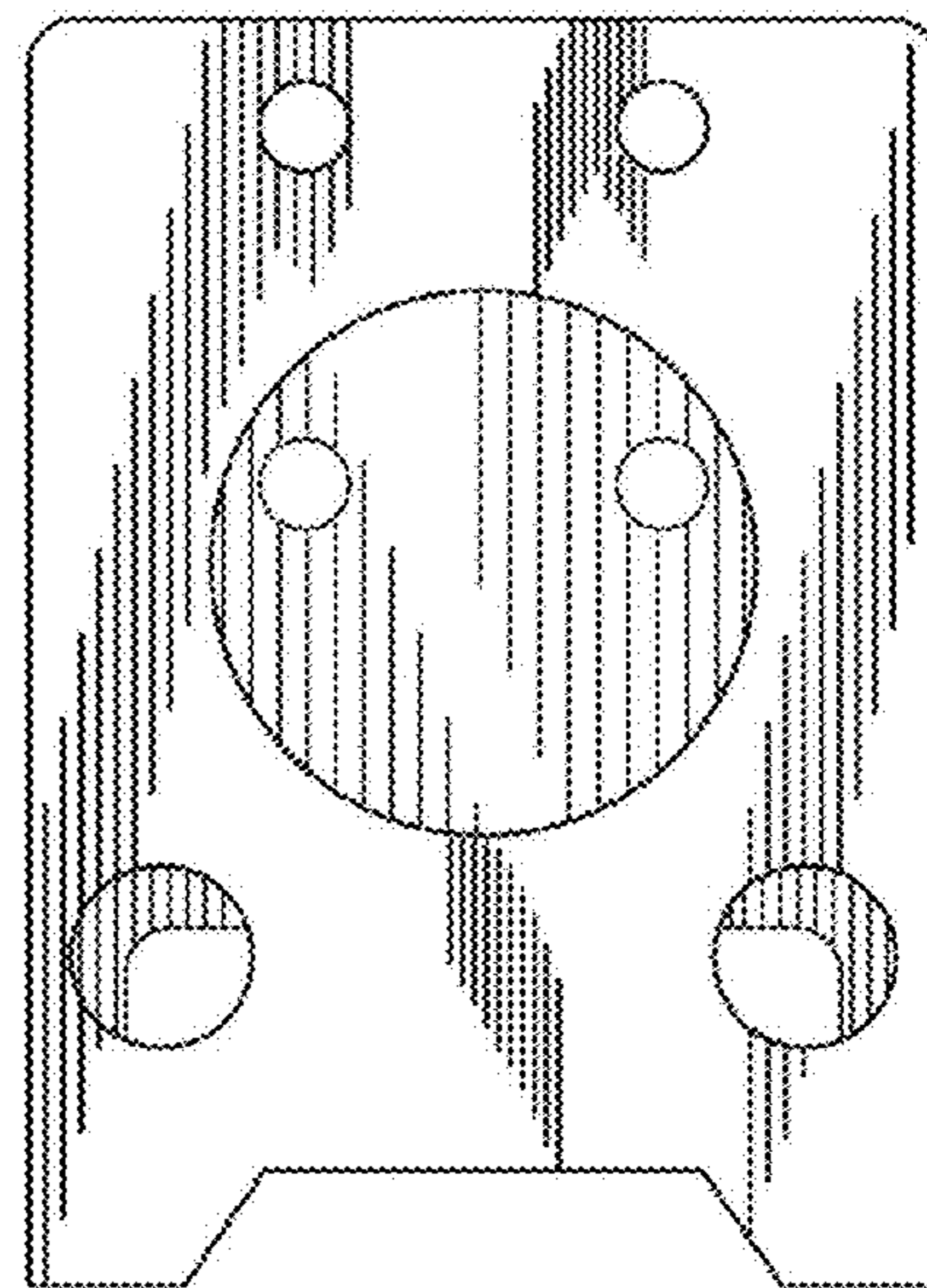


FIG. 4

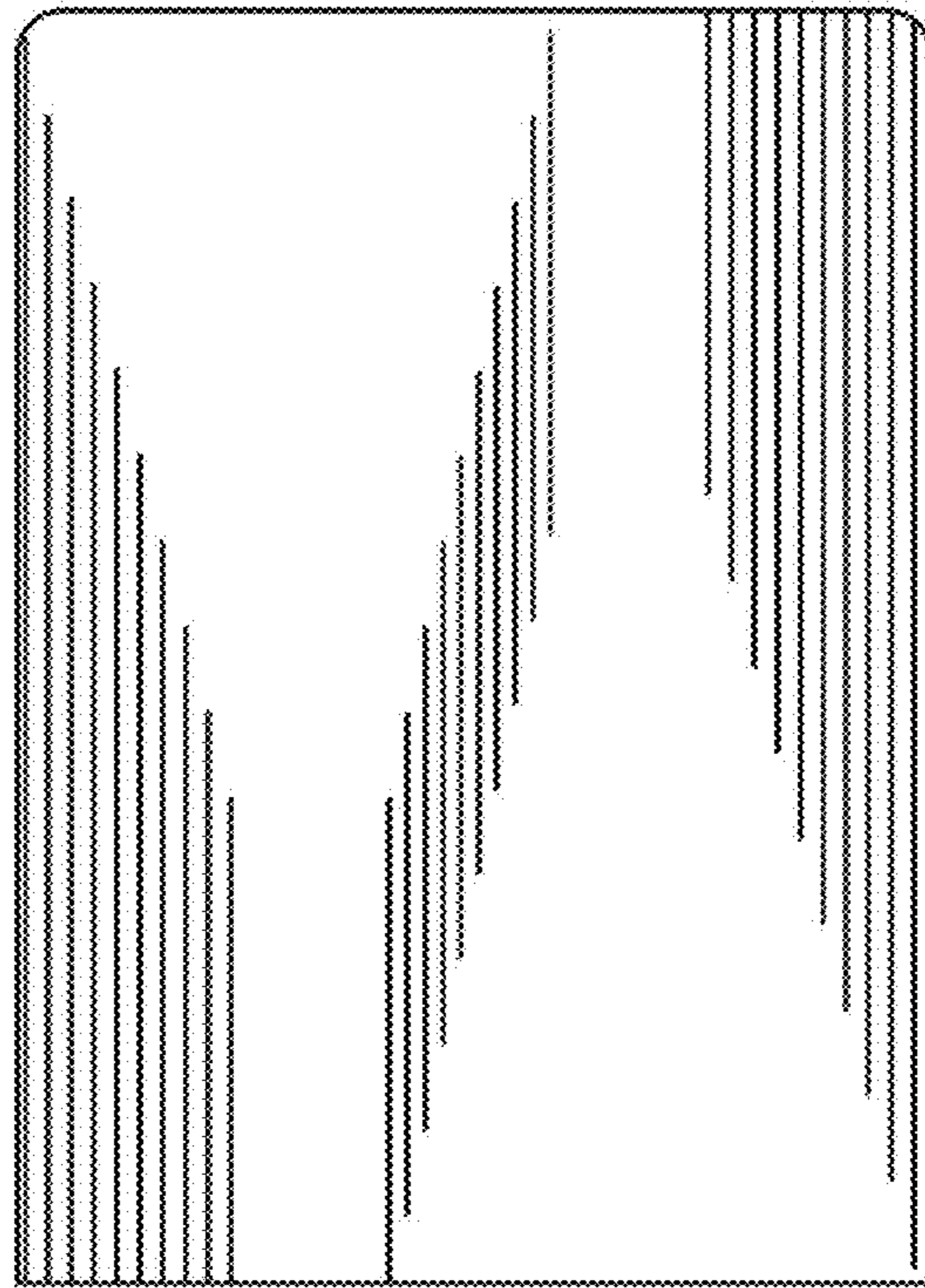


FIG. 5

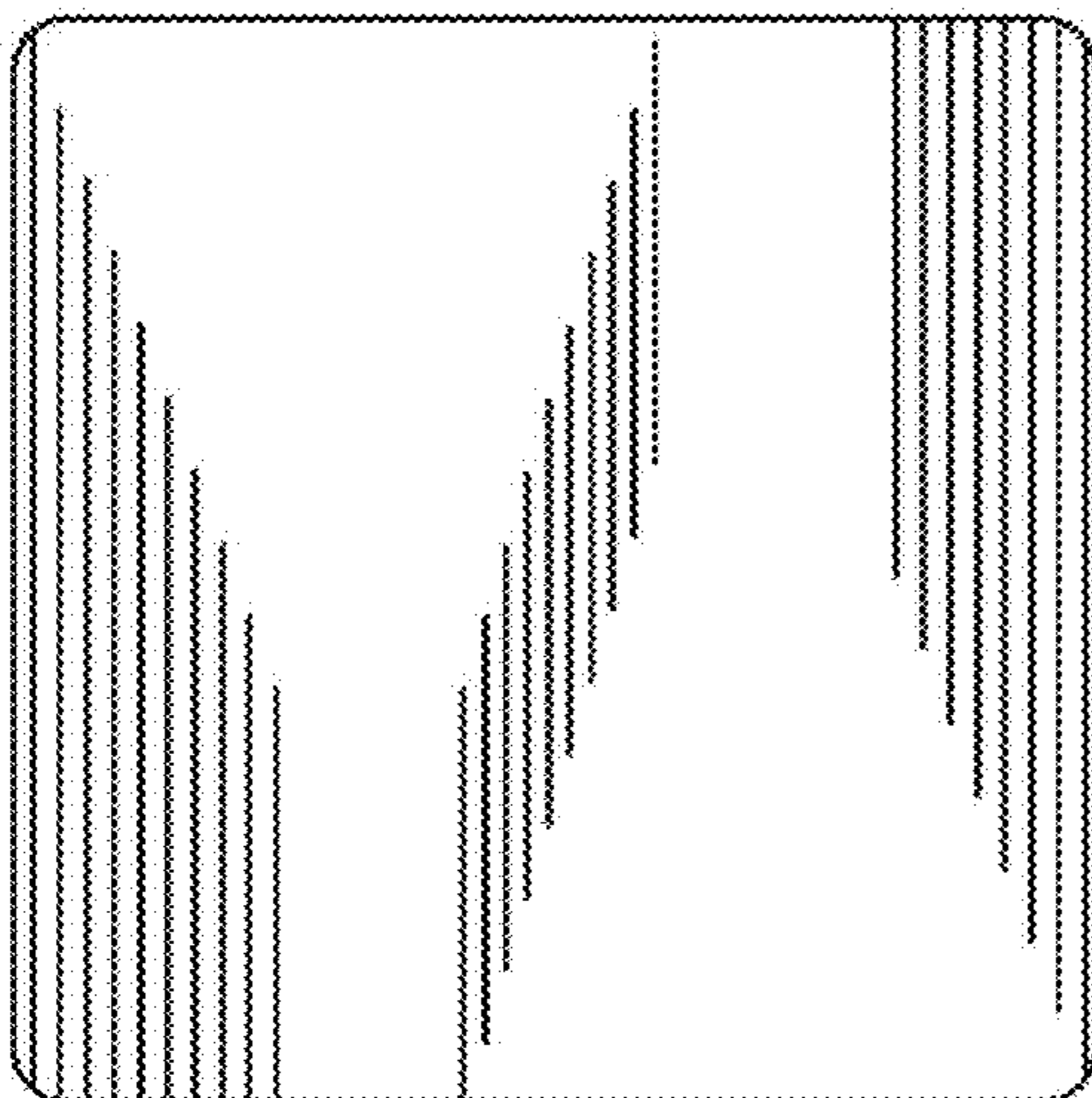


FIG. 6

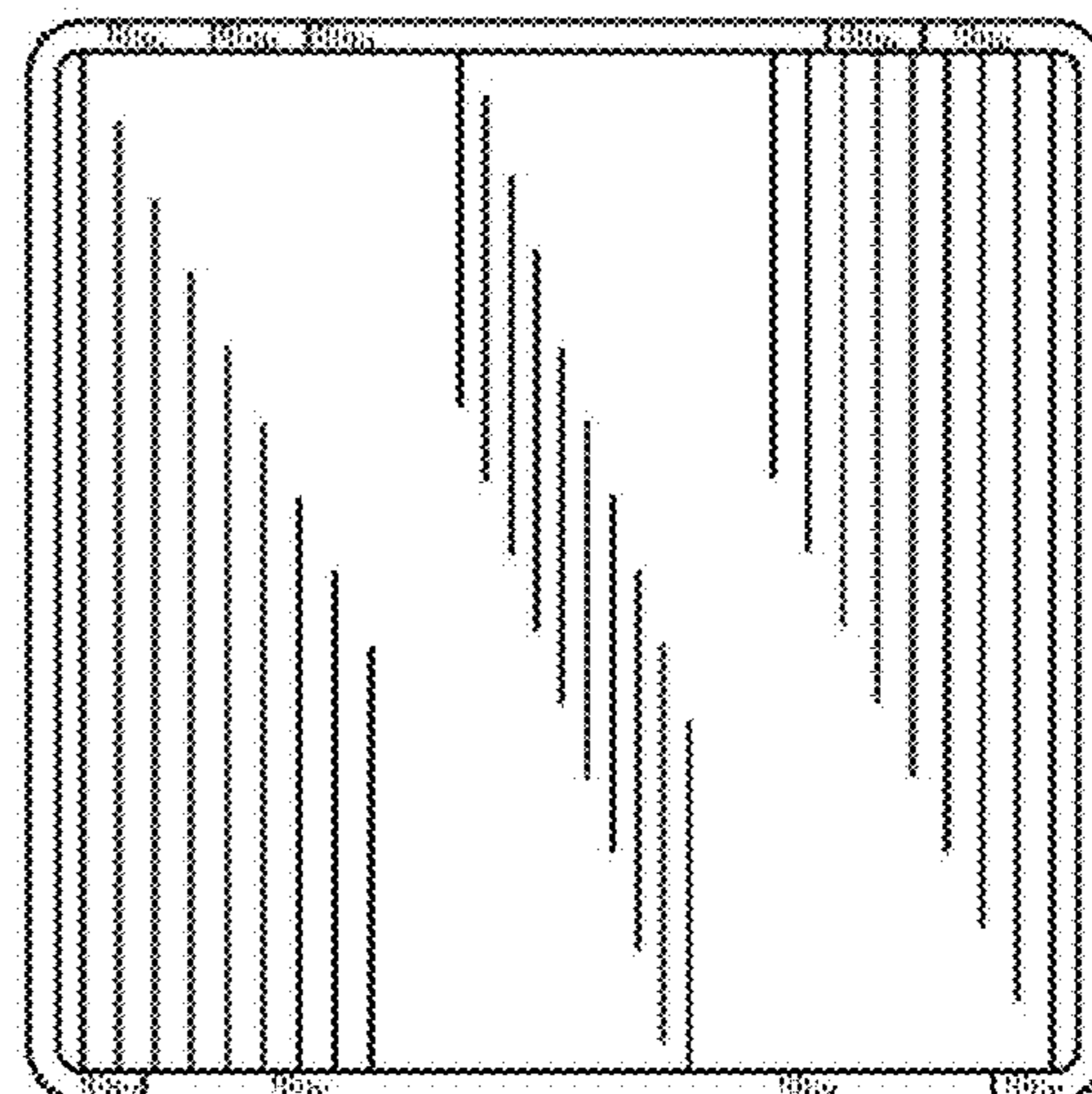


FIG. 7

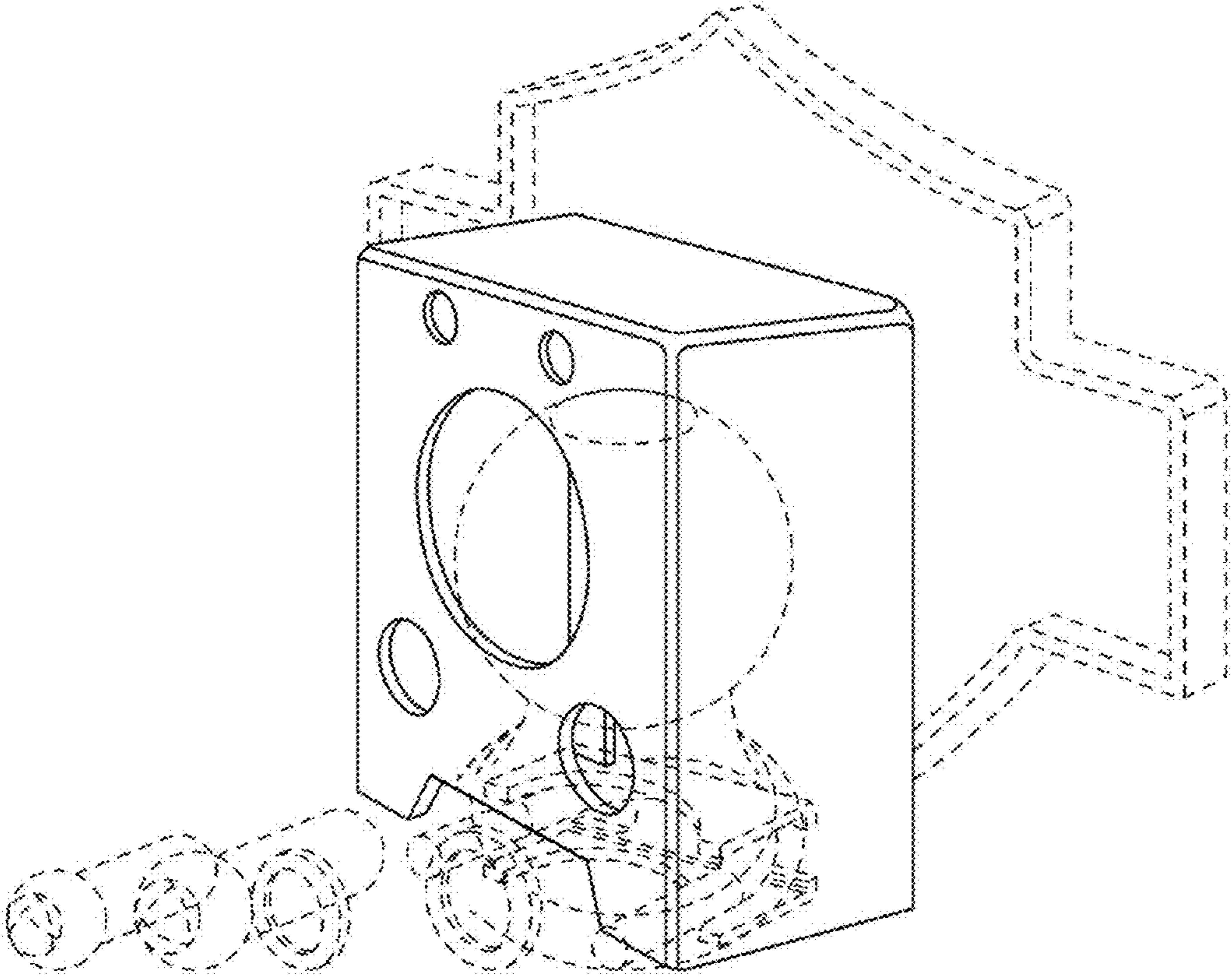


FIG. 8