



US00D771524S

(12) **United States Design Patent**  
**Lu**

(10) **Patent No.:** **US D771,524 S**  
(45) **Date of Patent:** **\*\* Nov. 15, 2016**

(54) **UPPER COMPONENT OF A BABY WALKER**

(71) Applicant: **Li-Wei Lu**, Taichung (TW)

(72) Inventor: **Li-Wei Lu**, Taichung (TW)

(\*\*) Term: **15 Years**

(21) Appl. No.: **29/537,017**

(22) Filed: **Aug. 21, 2015**

(51) **LOC (10) Cl.** ..... **12-12**

(52) **U.S. Cl.**  
USPC ..... **D12/130; D21/419**

(58) **Field of Classification Search**  
USPC ..... D12/128-133; D21/419, 424, 426, 433,  
D21/533, 548, 562  
CPC .. A47D 13/043; A47D 13/107; A47D 13/04;  
A47D 13/005  
See application file for complete search history.

(56) **References Cited**

**U.S. PATENT DOCUMENTS**

6,231,056 B1 *	5/2001	Wu	.....	A47D 1/02 280/1.188
D445,143 S *	7/2001	Bellows	.....	D12/130
D451,052 S *	11/2001	Lu	.....	D12/130
D466,843 S *	12/2002	Paesang	.....	D12/130

D475,325 S *	6/2003	Wu	.....	D12/133
6,863,287 B2 *	3/2005	Myers	.....	A47D 13/043 135/67
D587,764 S *	3/2009	Cheng	.....	D12/130
D612,302 S *	3/2010	Cheng	.....	D12/133
D627,009 S *	11/2010	Lu	.....	D12/130
D630,259 S *	1/2011	Lu	.....	D12/130
D679,337 S *	4/2013	Lai	.....	D12/133
D702,599 S *	4/2014	Lu	.....	D12/130
2003/0184036 A1 *	10/2003	Wu	.....	A47D 15/00 280/87.051

\* cited by examiner

*Primary Examiner* — Charles Hanson

(74) *Attorney, Agent, or Firm* — Egbert Law Offices, PLLC

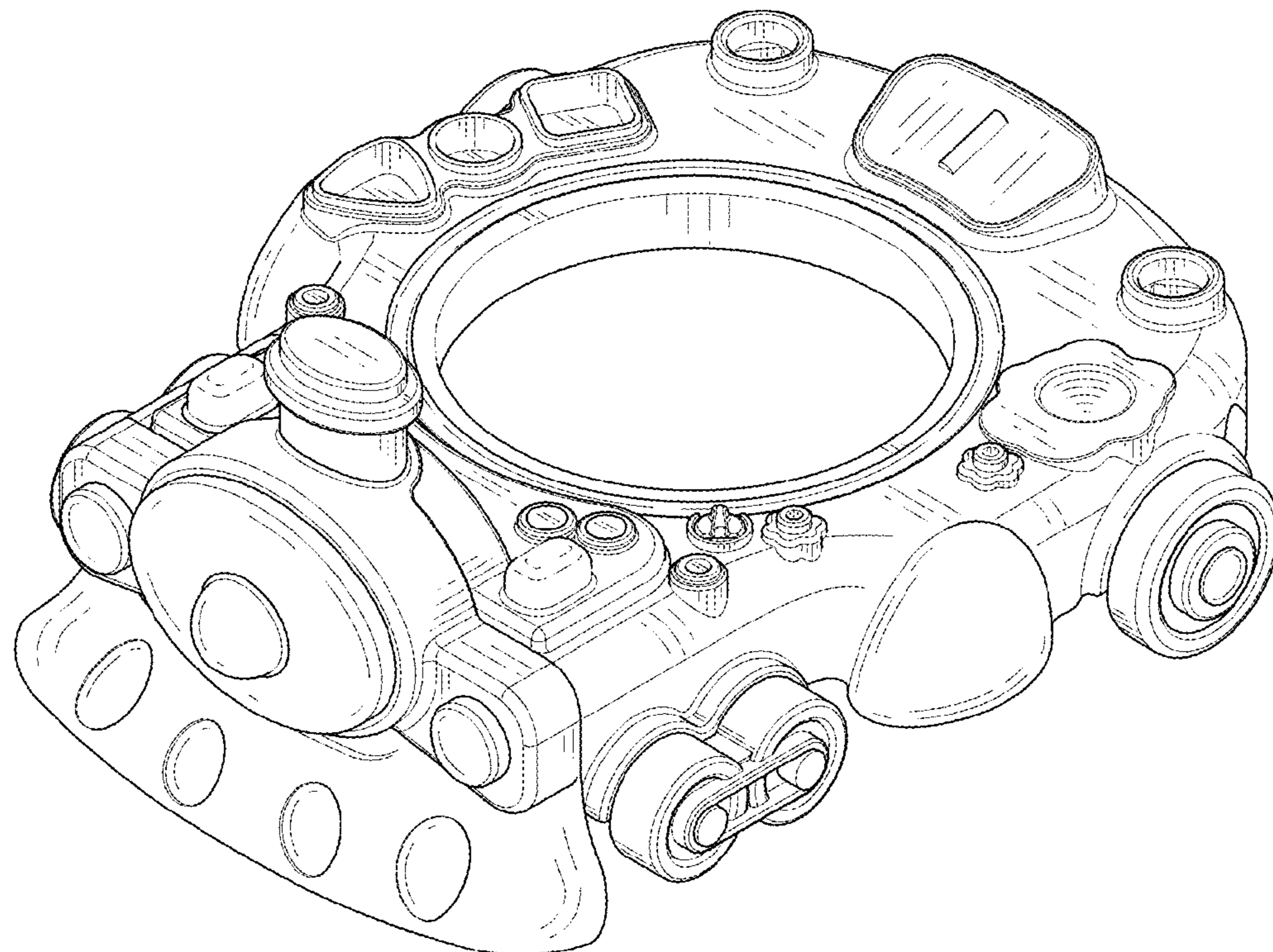
(57) **CLAIM**

The ornamental design for an upper component of a baby walker, as shown and described.

**DESCRIPTION**

FIG. 1 is an upper perspective view of an upper component of a baby walker showing my new design.  
FIG. 2 is a front elevation view thereof;  
FIG. 3 is back elevation view thereof;  
FIG. 4 is a side elevation view thereof;  
FIG. 5 is an opposite side elevation view thereof; and,  
FIG. 6 is a top plan view thereof.

**1 Claim, 6 Drawing Sheets**



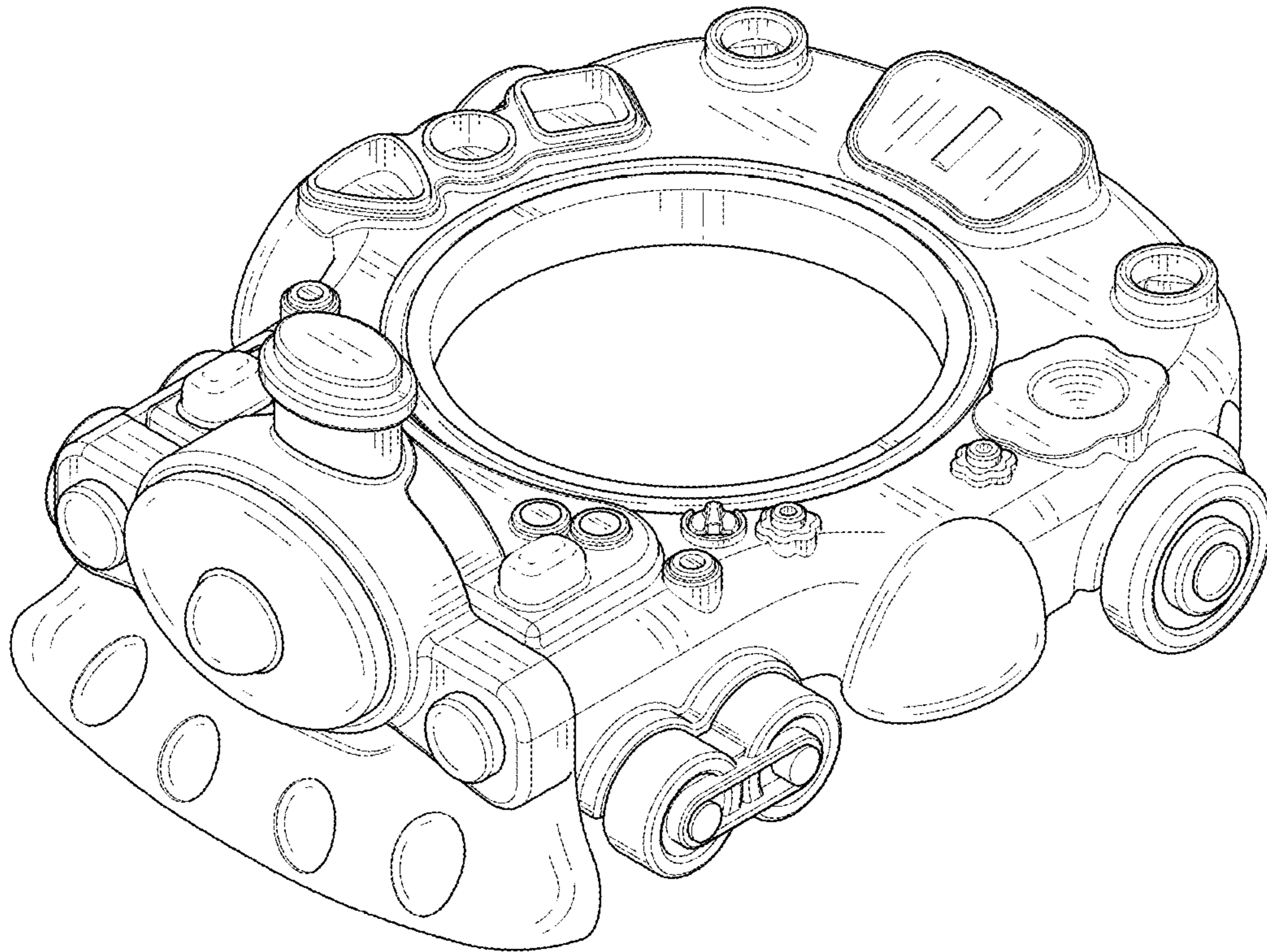


FIG. 1

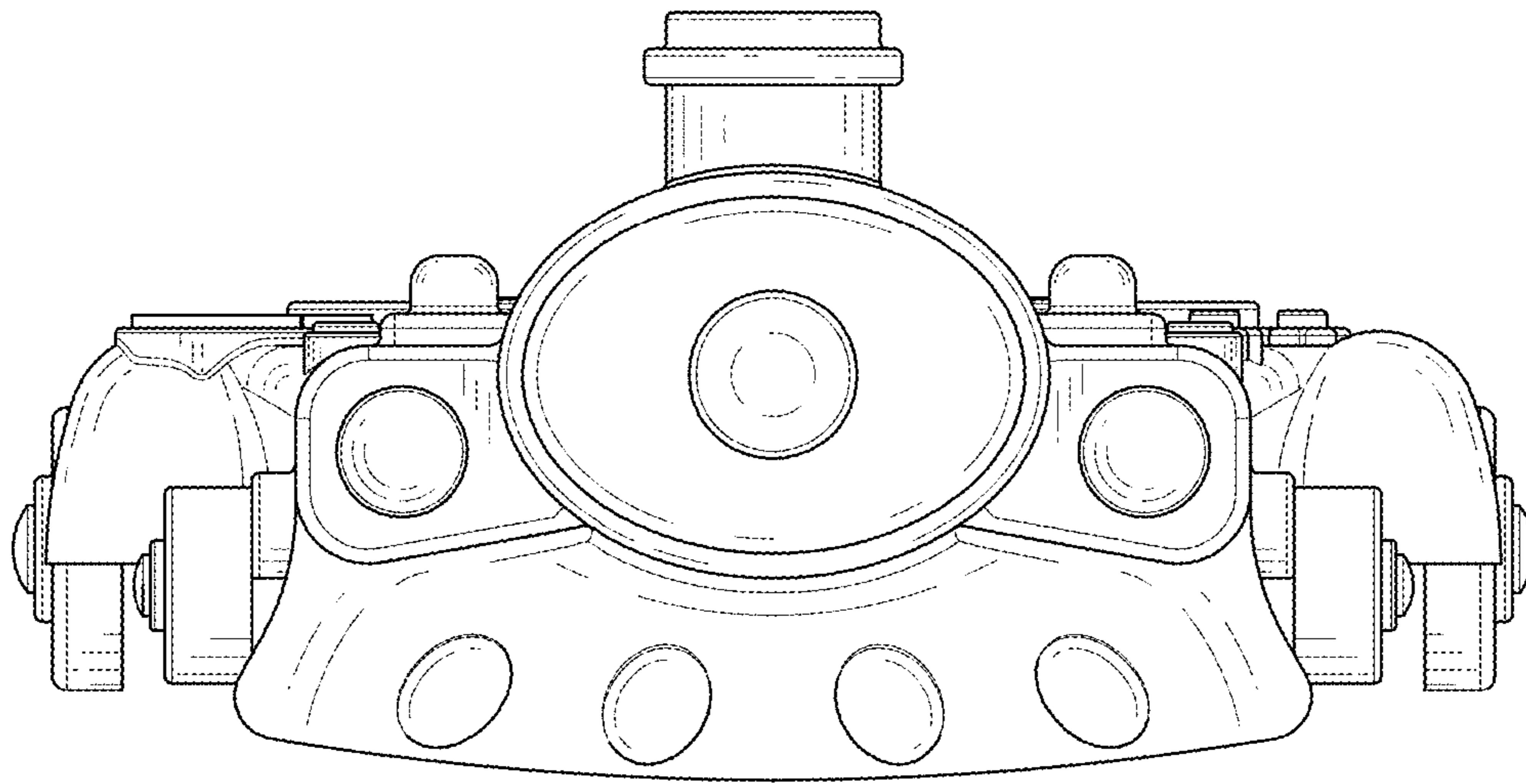


FIG. 2

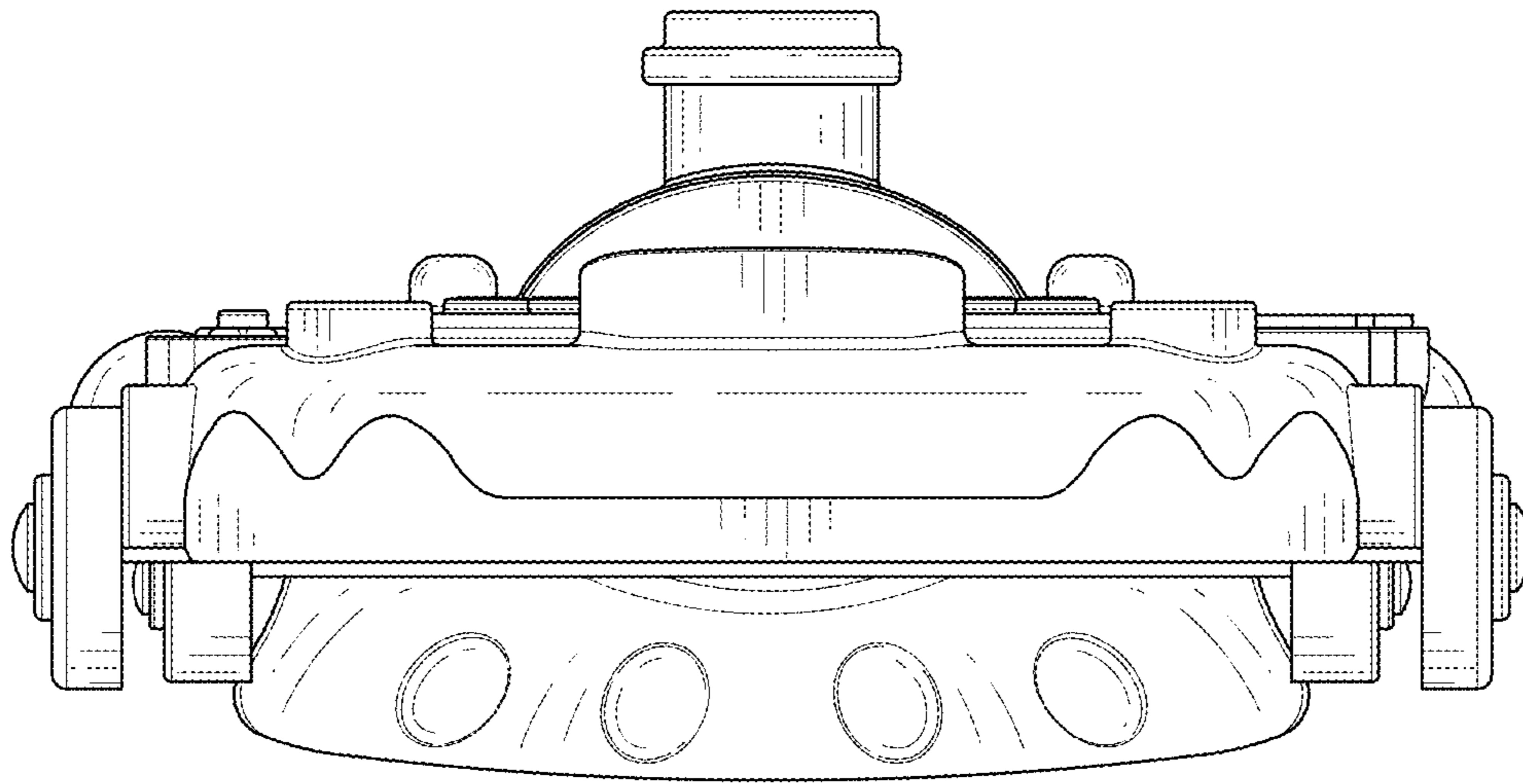


FIG. 3

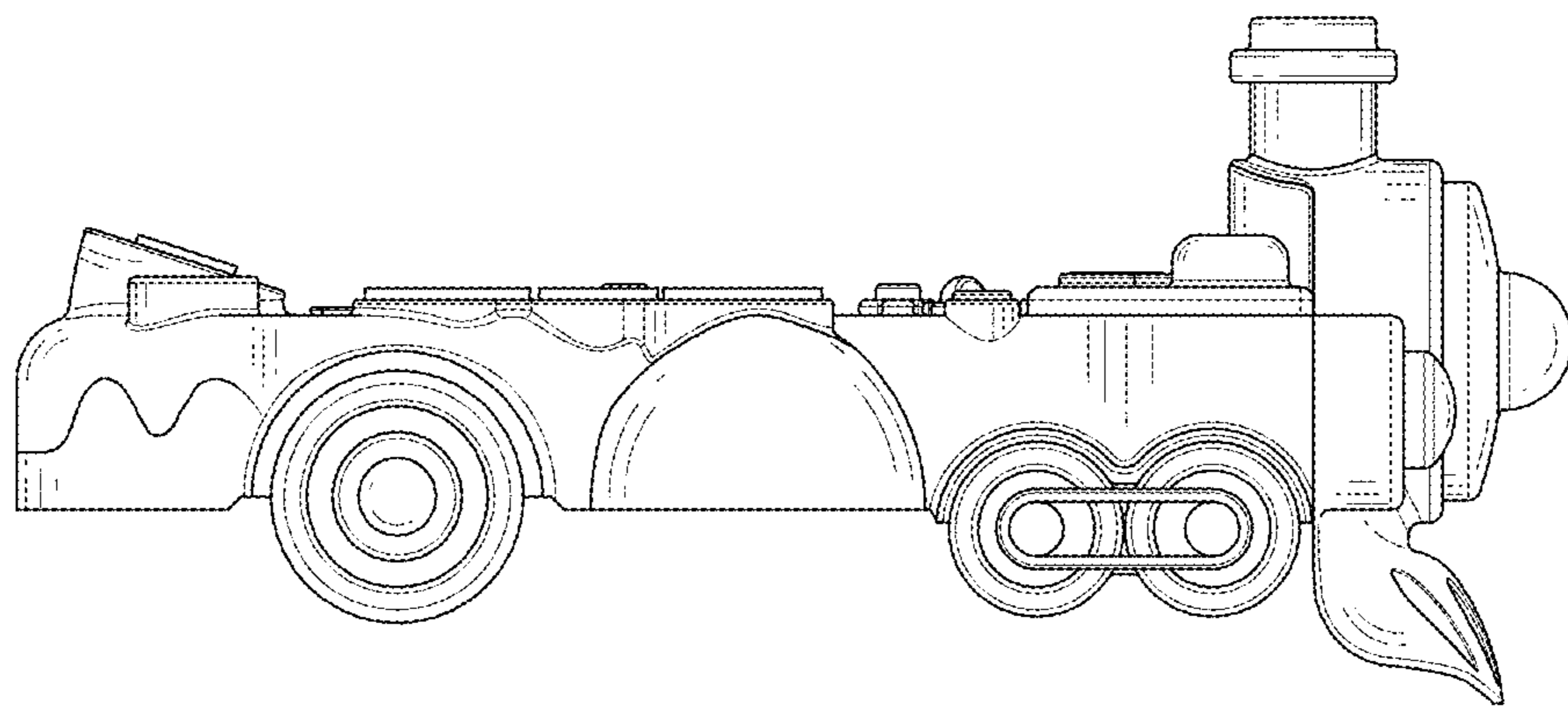


FIG.4

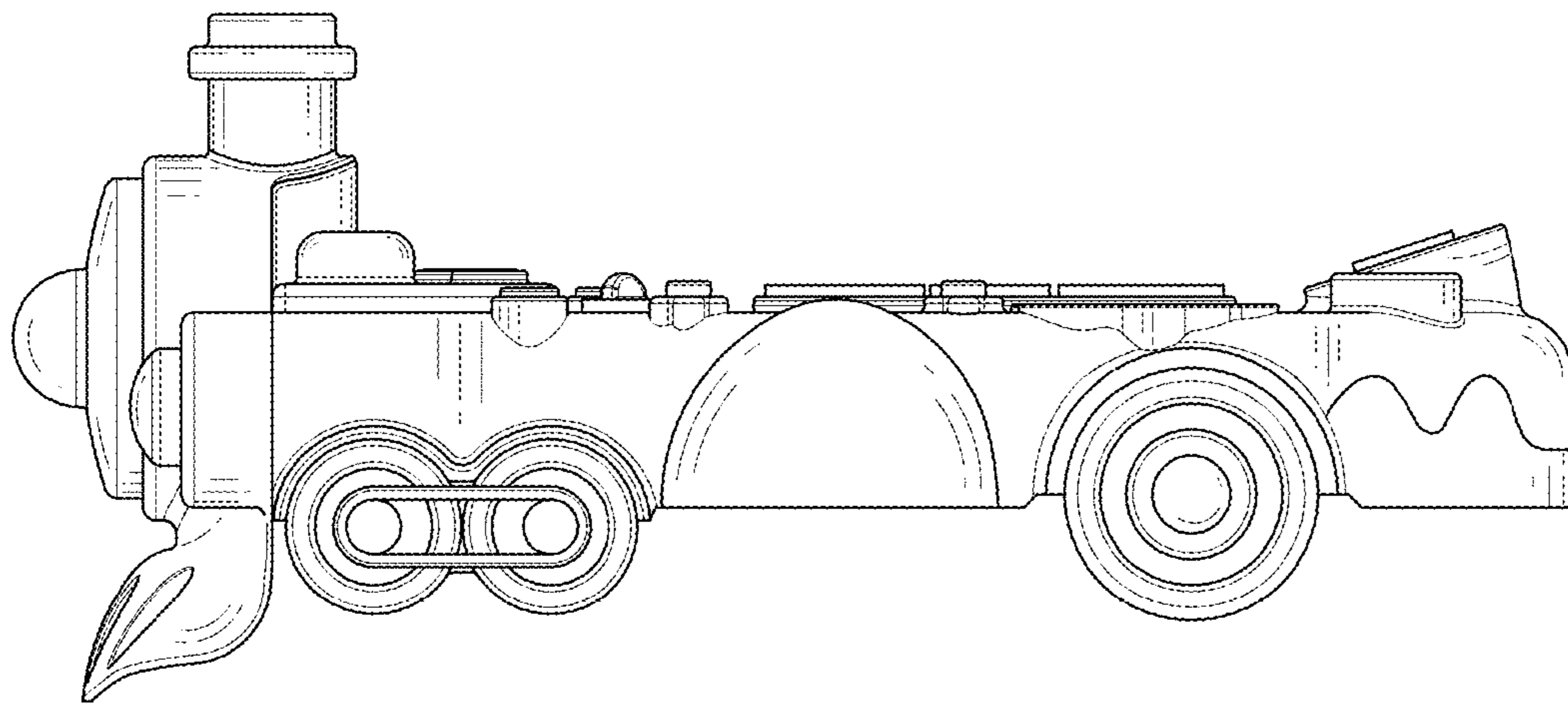


FIG.5

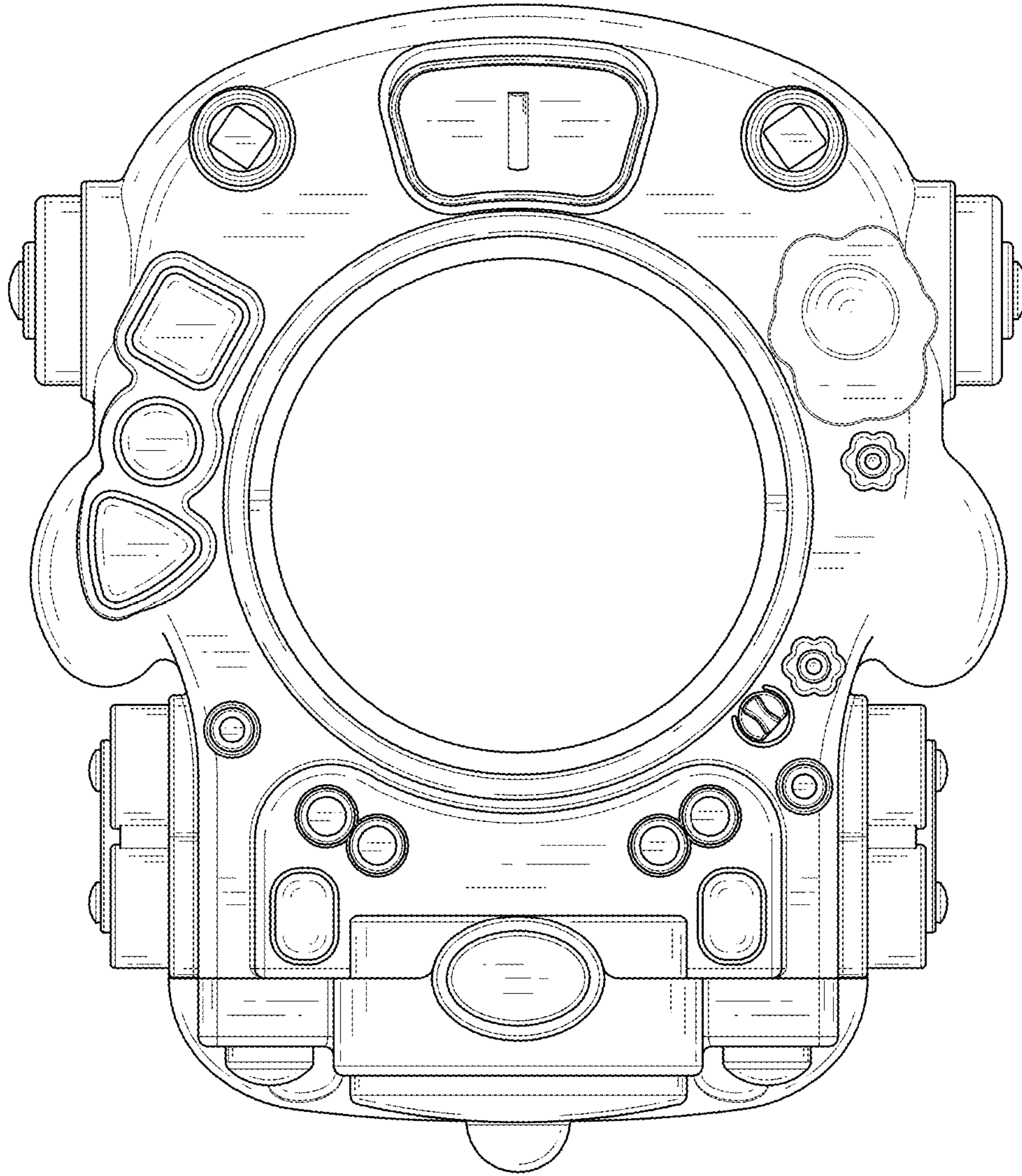


FIG.6