



US00D771522S

(12) **United States Design Patent** (10) **Patent No.:** **US D771,522 S**  
**Grenade** (45) **Date of Patent:** **\*\* Nov. 15, 2016**

(54) **DUAL ANGLE FLAGSTAFF SUPPORT BRACKET**

D615,847 S 5/2010 Tezak et al.  
D622,131 S 8/2010 Tezak et al.  
D633,373 S \* 3/2011 Grenade ..... D8/349  
D638,749 S 5/2011 Moreno  
D658,730 S 5/2012 Olivo  
8,613,258 B1 12/2013 Barry, IV et al.

(71) Applicant: **Gary Steven Grenade**, Clearwater, FL (US)

(72) Inventor: **Gary Steven Grenade**, Clearwater, FL (US)

(\*\*) Term: **14 Years**

(21) Appl. No.: **29/474,752**

(22) Filed: **Jan. 27, 2015**

(51) **LOC (10) Cl.** ..... **11-05**

(52) **U.S. Cl.**  
USPC ..... **D11/182**

(58) **Field of Classification Search**  
USPC ..... D8/47, 349, 354, 356, 366, 373, 380, D8/382, 394, 395, 381, 363, 367; D11/182  
CPC ..... E04H 12/32; G09F 17/00  
See application file for complete search history.

**FOREIGN PATENT DOCUMENTS**

CN 1637955 A 7/2005  
CN 200969201 Y 10/2007  
GB 2334431 A 8/1999  
KR 20020020487 A 3/2002

\* cited by examiner

*Primary Examiner* — Robert M Spear  
*Assistant Examiner* — Eliza Bennett-Hattan

(57) **CLAIM**

The ornamental design for a dual angle flagstaff support bracket, as shown.

(56) **References Cited**

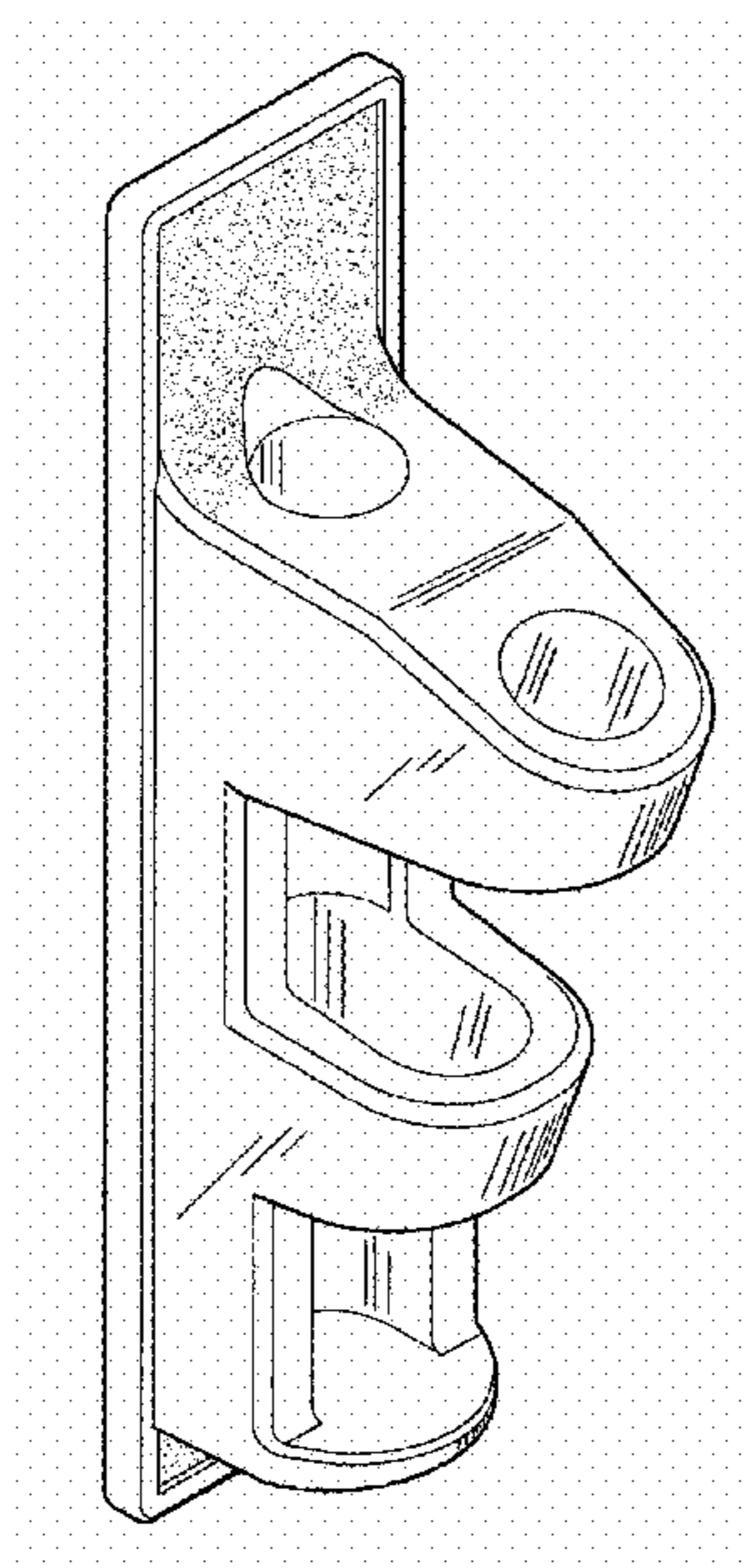
**U.S. PATENT DOCUMENTS**

D27,311 S \* 7/1897 Brickley ..... 211/96  
D271,006 S 10/1983 Bernatek, Sr.  
4,593,877 A 6/1986 van der Wyk  
D340,676 S 10/1993 Gallagher  
5,377,944 A 1/1995 Getsinger  
D372,209 S 7/1996 Willis et al.  
RE35,731 E 2/1998 Lach  
6,010,107 A 1/2000 Goldfarb  
D421,710 S \* 3/2000 Hajek ..... D8/1  
D476,919 S 7/2003 Vidmar et al.  
D477,245 S 7/2003 Luo  
D482,601 S \* 11/2003 Chen ..... D8/380  
6,742,757 B2 6/2004 Fox  
D537,014 S 2/2007 Tait  
D578,057 S 10/2008 Frenock  
D607,374 S 1/2010 Durkin

**DESCRIPTION**

FIG. 1 is a front view of the dual angle flagstaff support bracket  
FIG. 2 is a right side view of the dual angle flagstaff support bracket; the left side view is a mirror image of the right side  
FIG. 3 is a right side perspective view of the dual angle flagstaff support bracket  
FIG. 4 is a top view of the dual angle flagstaff support bracket; and,  
FIG. 5 is a bottom view of the dual angle flagstaff support bracket.  
The rear of the dual angle flagstaff support bracket is plain and unornamented. The stippling in the claim is meant to represent surface texture.

**1 Claim, 4 Drawing Sheets**



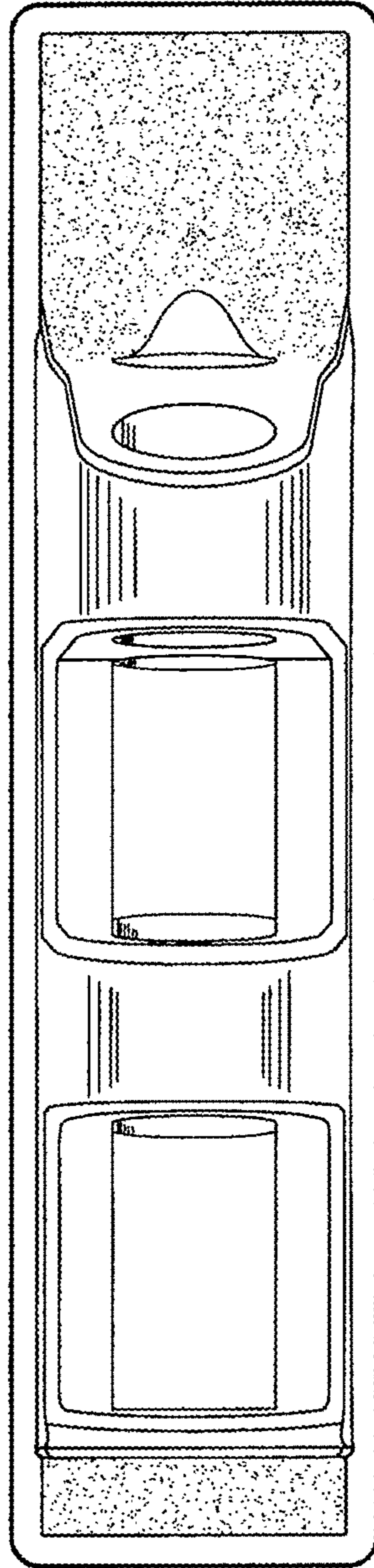


FIG. 1

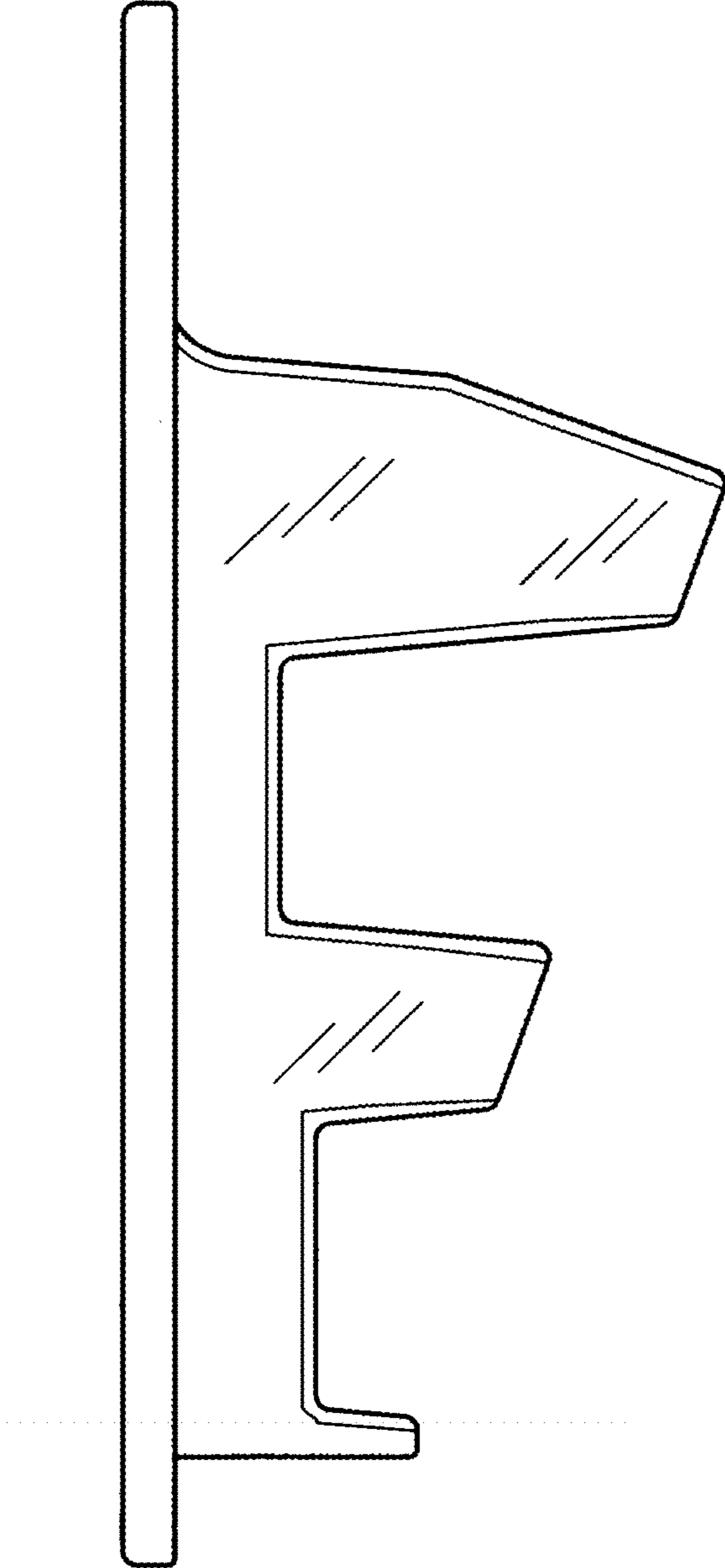


FIG. 2

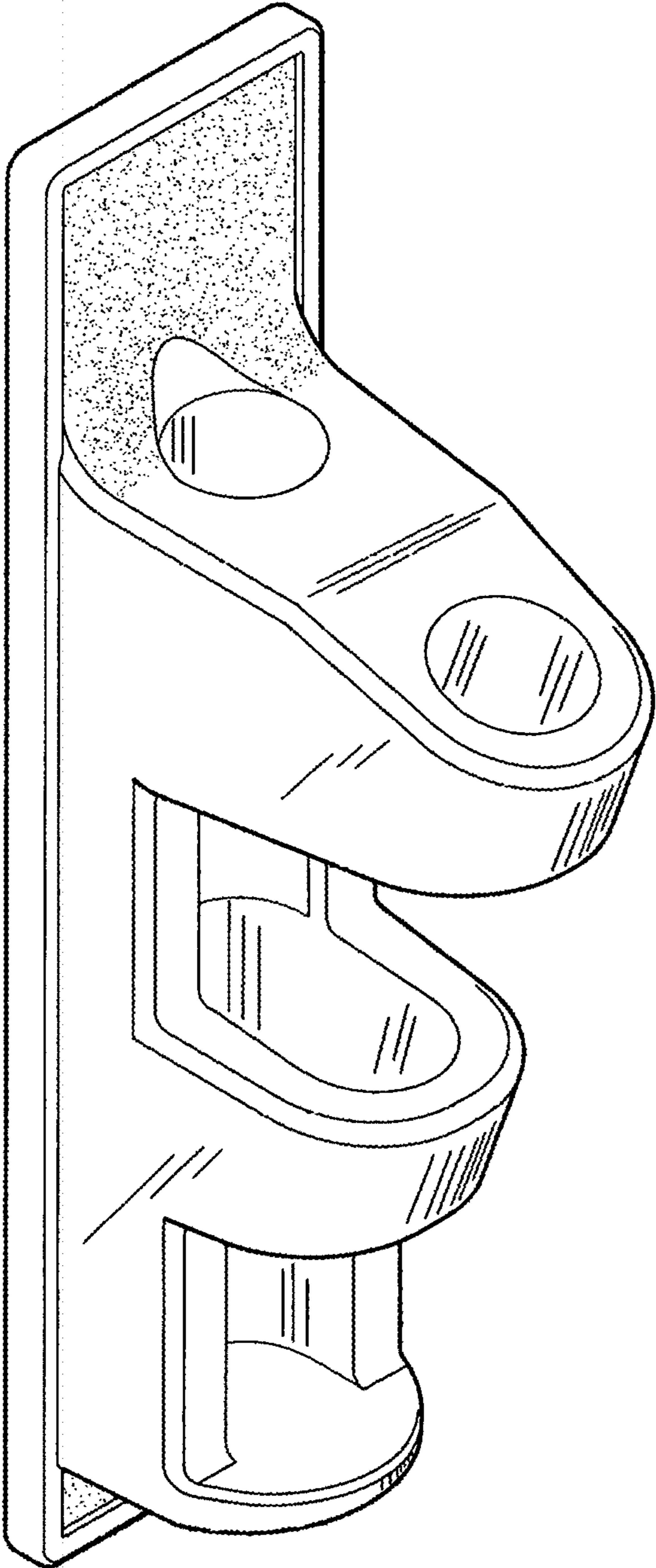


FIG. 3

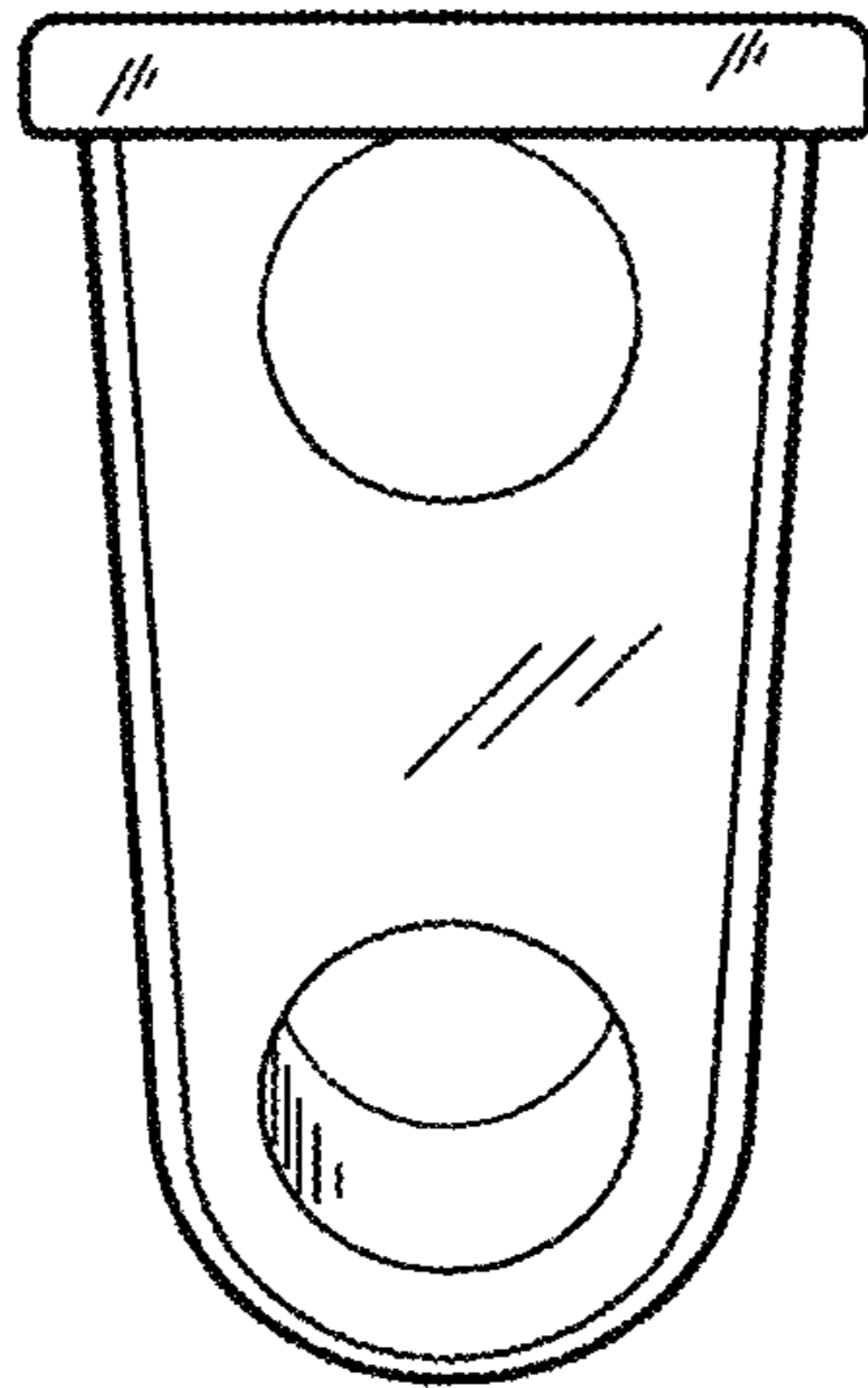


FIG. 4

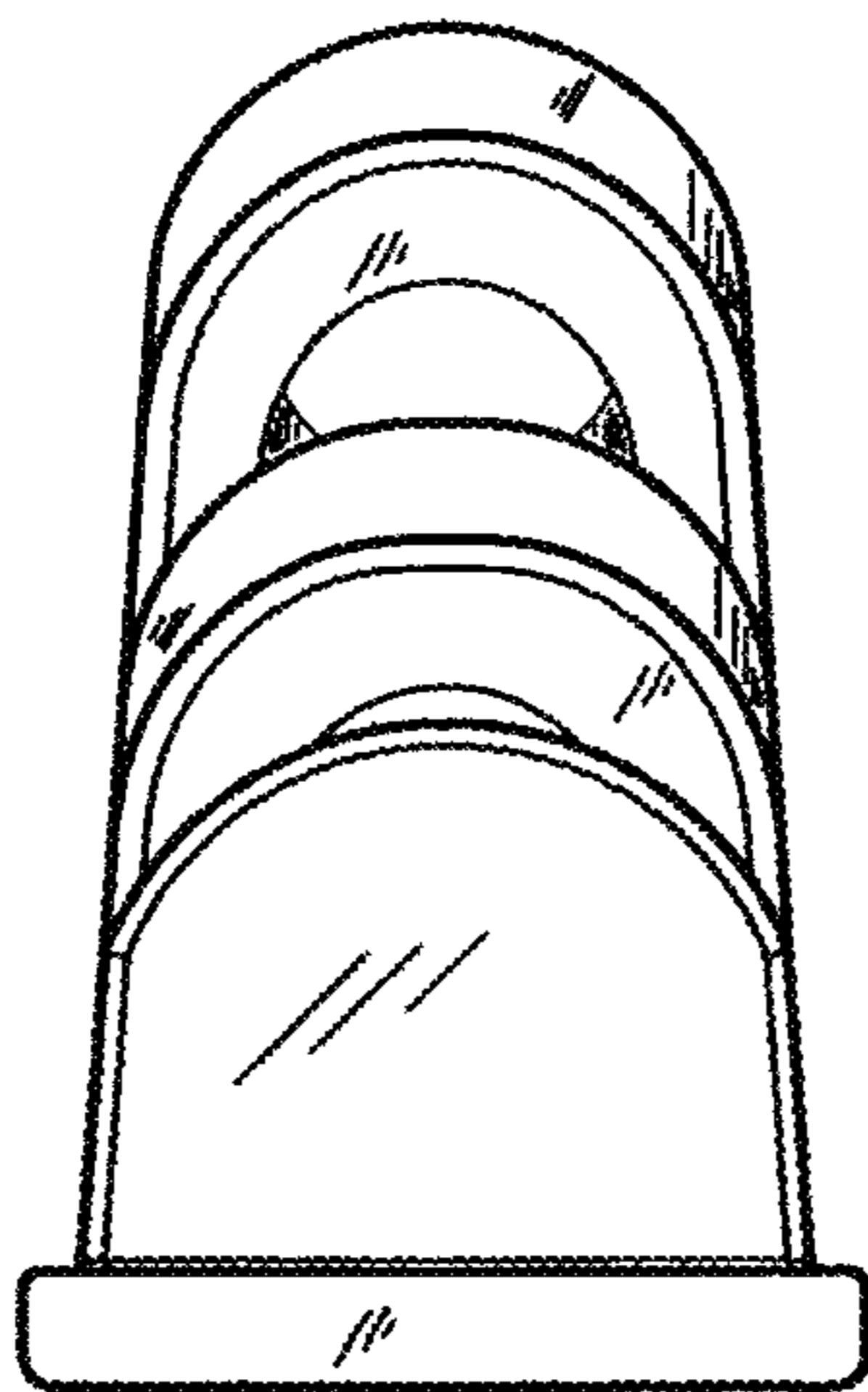


FIG. 5