



US00D771521S

(12) **United States Design Patent** (10) **Patent No.:** **US D771,521 S**
McDonald (45) **Date of Patent:** **** Nov. 15, 2016**

(54) **LIGHTED DISPLAY BASE**
(71) Applicant: **DesignPro Innovations LLC**, Stewart Manor, NY (US)
(72) Inventor: **Patrick McDonald**, Stewart Manor, NY (US)
(73) Assignee: **DesignPro Innovations LLC**, Stewart Manor, NY (US)
(**) Term: **14 Years**
(21) Appl. No.: **29/521,450**
(22) Filed: **Mar. 24, 2015**
(51) **LOC (10) Cl.** **11-02**
(52) **U.S. Cl.**
USPC **D11/164; D11/131**
(58) **Field of Classification Search**
USPC D11/164, 131, 132, 143, 152, 155;
D6/300-314, 535, 672, 675, 677,
D6/682.1; D9/414, 415; D20/10, 27, 28;
D30/129; D10/2, 15, 24, 125; D7/601,
D7/602, 619.1, 624.1, 323, 326, 367;
D19/75; 99/323.3, 275.279; 219/432,
219/433, 386, 387, 430
CPC A47G 1/12; A47G 1/1646; A47G
19/2288; G07D 9/002; G09F 1/12; A47J
31/441; A47J 36/2461; A47J 36/2466; A47J
36/2472; A47J 36/24; H05B 1/02; H05B 3/14
See application file for complete search history.

D238,644 S * 2/1976 Pasquarella D6/309
4,145,826 A * 3/1979 Shaw G09F 1/12
40/661
4,165,573 A * 8/1979 Richards A44C 3/00
206/0.8

(Continued)

OTHER PUBLICATIONS

Allwood Products Display Plinths, available May 31, 2015, [online], [site visited Apr. 1, 2016]. Available from internet, <URL: <http://www.allwoodproducts.co.uk/products/trophy-components/display-plinths/h1-square-display-plinths-with-round-recess/>>.*

(Continued)

Primary Examiner — Cathron Brooks
Assistant Examiner — Teddy Falloway
(74) *Attorney, Agent, or Firm* — Schroeder Law PC

(57) **CLAIM**

The ornamental design for a lighted display base, as shown and described.

DESCRIPTION

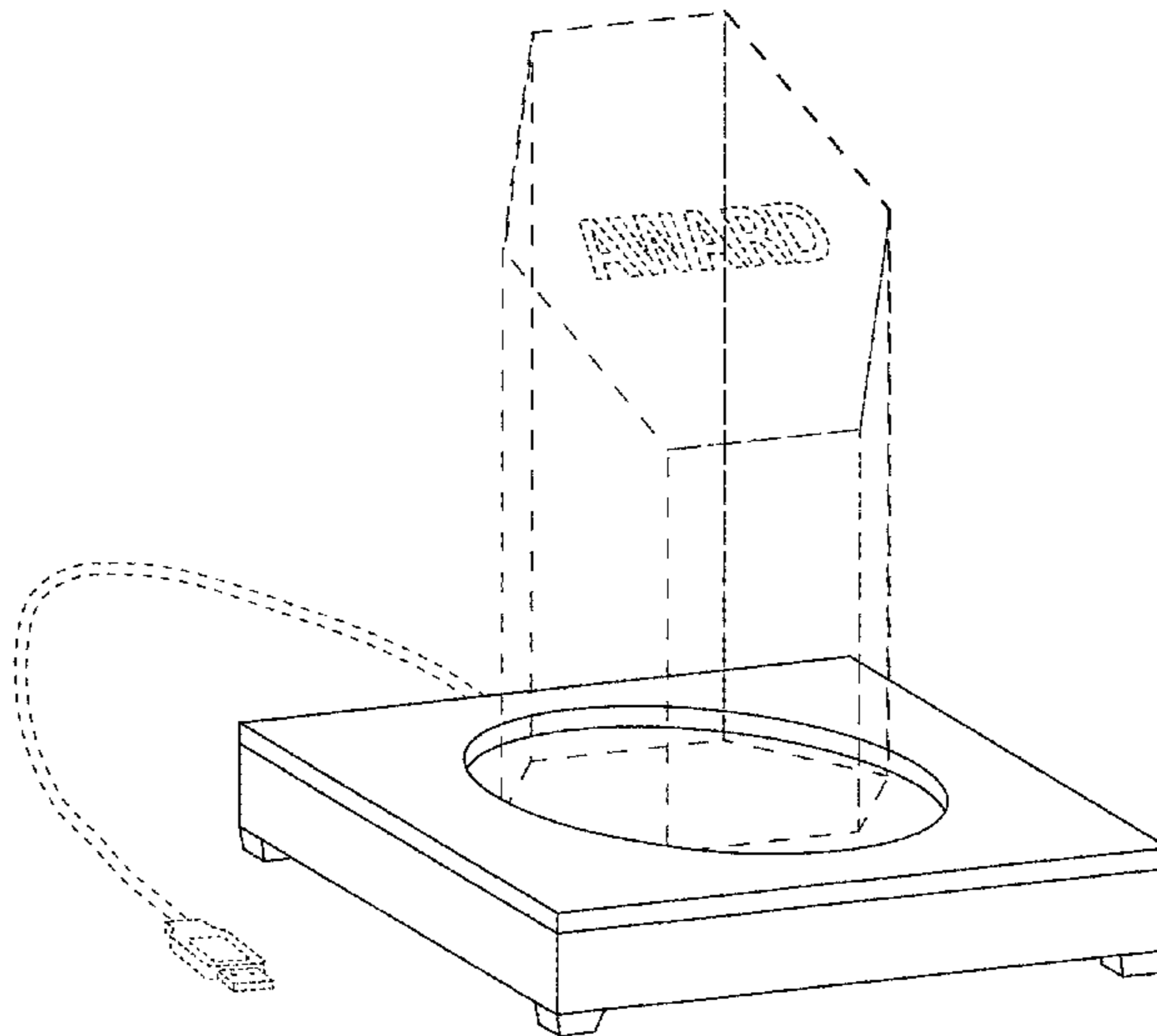
FIG. 1 is a front perspective view of a display base showing my new design;
FIG. 2 is another front perspective view;
FIG. 3 is a top view thereof;
FIG. 4 is a rear elevation view thereof; and,
FIG. 5 is a right side elevation view, the left side elevation view being a mirror image thereof.
The broken lines shown in FIG. 1 are for the purpose of illustrating portions of the lighted display base and environmental structure that form no part of the claimed design. The broken lines shown in FIGS. 2-5 are for the purpose of illustrating portions of the lighted display base that form no part of the claimed design. The bottom view (not shown) forms no part of the claimed design.

1 Claim, 5 Drawing Sheets

(56) **References Cited**

U.S. PATENT DOCUMENTS

D31,074 S * 6/1899 Odgers D6/309
D163,932 S * 7/1951 Byck 40/781
D179,952 S * 3/1957 Pavenick D6/308
D184,233 S * 1/1959 Littlepage D6/309
D227,525 S * 7/1973 Skinner D6/309



(56)

References Cited

U.S. PATENT DOCUMENTS

D259,168 S * 5/1981 Petrie D7/367
 D268,599 S * 4/1983 Cox D11/131
 D270,511 S * 9/1983 Friedman D7/624.1
 4,523,083 A * 6/1985 Hamilton A47J 36/2461
 206/818
 D290,140 S * 6/1987 Wolff D19/75
 4,831,755 A * 5/1989 Rodriguez G09F 13/0409
 362/23.16
 D312,028 S * 11/1990 Pinette, Jr. D7/624.1
 D319,410 S * 8/1991 Baum D10/125
 D328,508 S * 8/1992 Crutchfield D34/1
 D339,830 S * 9/1993 Adell D21/371
 D346,761 S * 5/1994 Milam D11/132
 D393,780 S * 4/1998 Stocco D7/619.1
 D394,581 S * 5/1998 Paris D7/326
 5,928,542 A * 7/1999 Miguelino A47G 19/2288
 136/291
 D417,979 S * 12/1999 Evans D6/661
 D422,245 S * 4/2000 Hughes D12/120
 D422,497 S * 4/2000 Huntley D9/432
 6,314,867 B1 * 11/2001 Russell A47J 36/2466
 219/432
 D491,061 S * 6/2004 Bouroullec D11/155
 D510,280 S * 10/2005 Petrucelli D10/2
 D521,774 S * 5/2006 Yoshino D6/309
 D522,387 S * 6/2006 Bedol D10/15
 D527,424 S * 8/2006 Long D19/77
 D544,371 S * 6/2007 Bhavnani D10/15
 D551,969 S * 10/2007 Aurilio D9/418
 D553,017 S * 10/2007 Bhavnani D10/24

D567,646 S * 4/2008 Ballard D9/415
 D664,369 S * 7/2012 Duma D6/309
 D717,611 S * 11/2014 Doron D7/624.1
 9,027,464 B1 * 5/2015 Al-Jamaan A47G 19/14
 99/279

OTHER PUBLICATIONS

01 Coasters (via Autodesk), available May 8, 2013, [online], [site visited Apr. 1, 2016]. Available from internet, <URL: http://www.123dapp.com/smb-123D_Design/01-Coasters/1424630.*

01 Coasters-resaved (via Autodesk), available Jun. 3, 2013, [online], [site visited Apr. 1, 2016]. Available from internet, <URL: http://www.123dapp.com/smb-123D_Design/01-Coasters-resaved/1487404.*

ShopBot Coaster Set, available Oct. 13, 2012, [online], [site visited Apr. 1, 2016]. Available from internet, <URL: <https://web.archive.org/web/20121013113204/http://shopbottools.com/files/Projects/Wooden%20Coaster%20Set.pdf>.*

H.A.L. Woodworking Trophy Bases, available Oct. 2, 2013, [online], [site visited Apr. 1, 2016]. Available from internet, <URL: <http://www.halwoodworking.com/cut-out-bases.asp>.*

Custom Pedestal with Lighted Turntable (via Pedestal Source), available Oct. 13, 2012, [online], [site visited Apr. 1, 2016]. Available from internet, <URL: <https://www.pedestalsource.com/Wood/Pedestal133WL.html#productContainer>.*

USB Cup Warmer (via Crooked Brains), available Mar. 19, 2014, [online], [site visited Jul. 18, 2016]. Available from internet, <URL: <http://www.crookedbrains.net/2014/03/innovative-food-beverage-warmers-office.html>.*

* cited by examiner

Figure 1

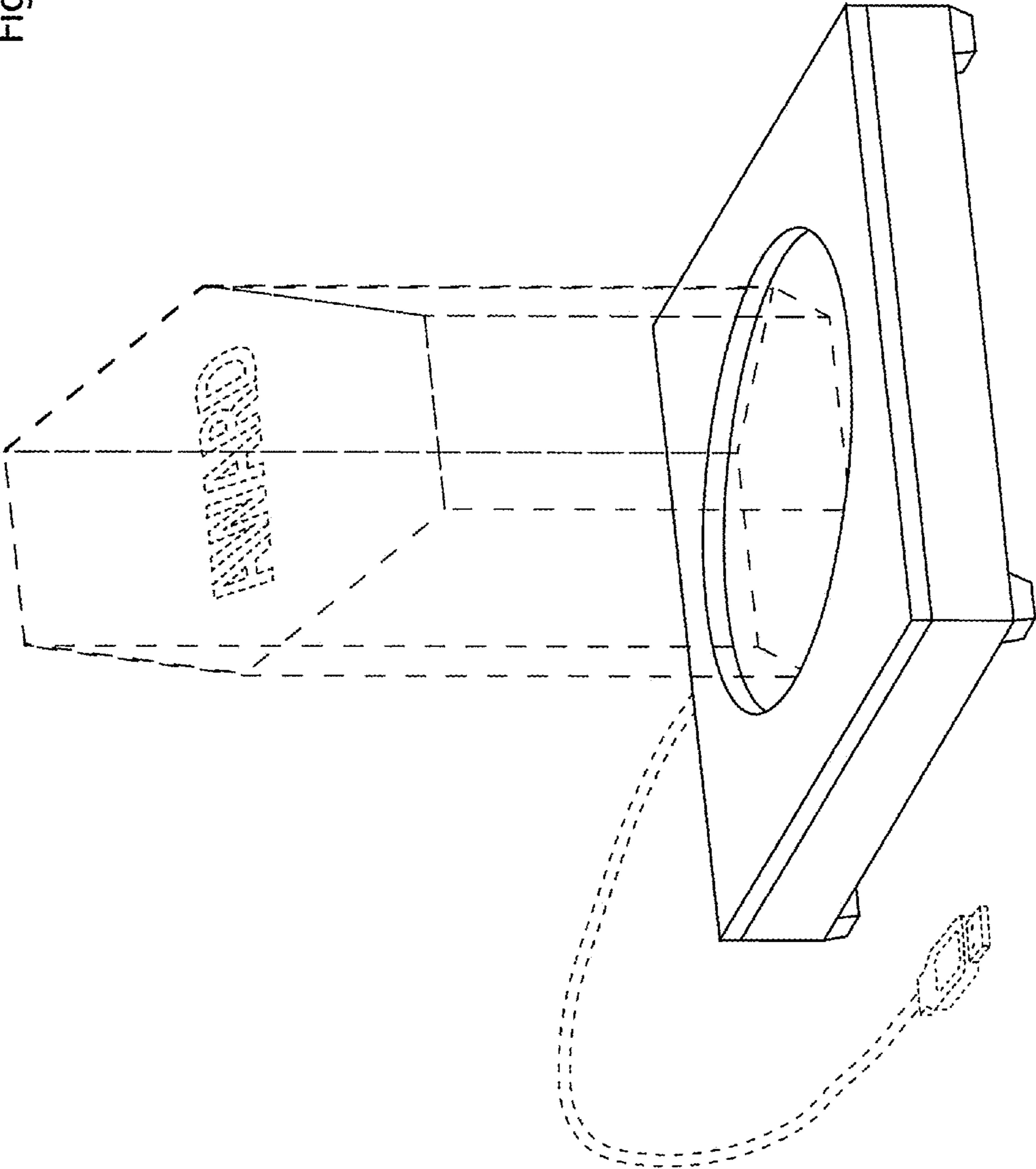


Figure 2

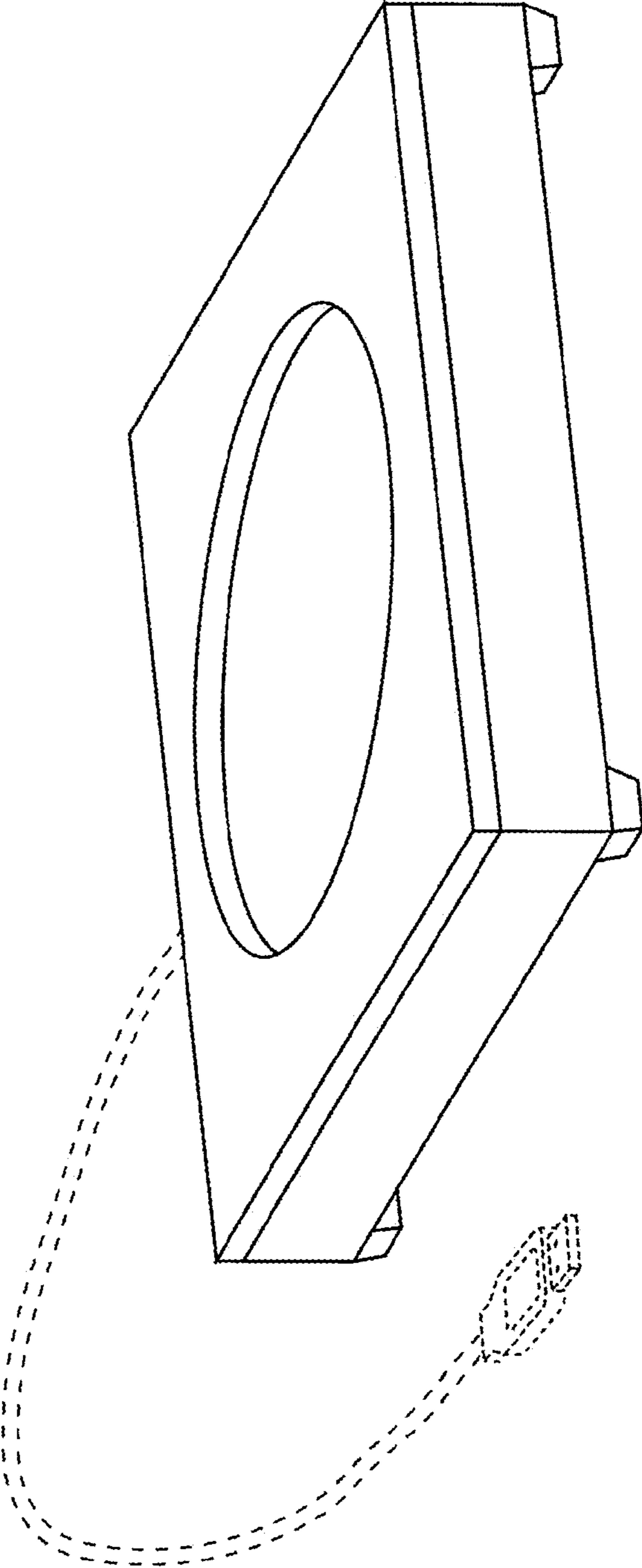


Figure 3

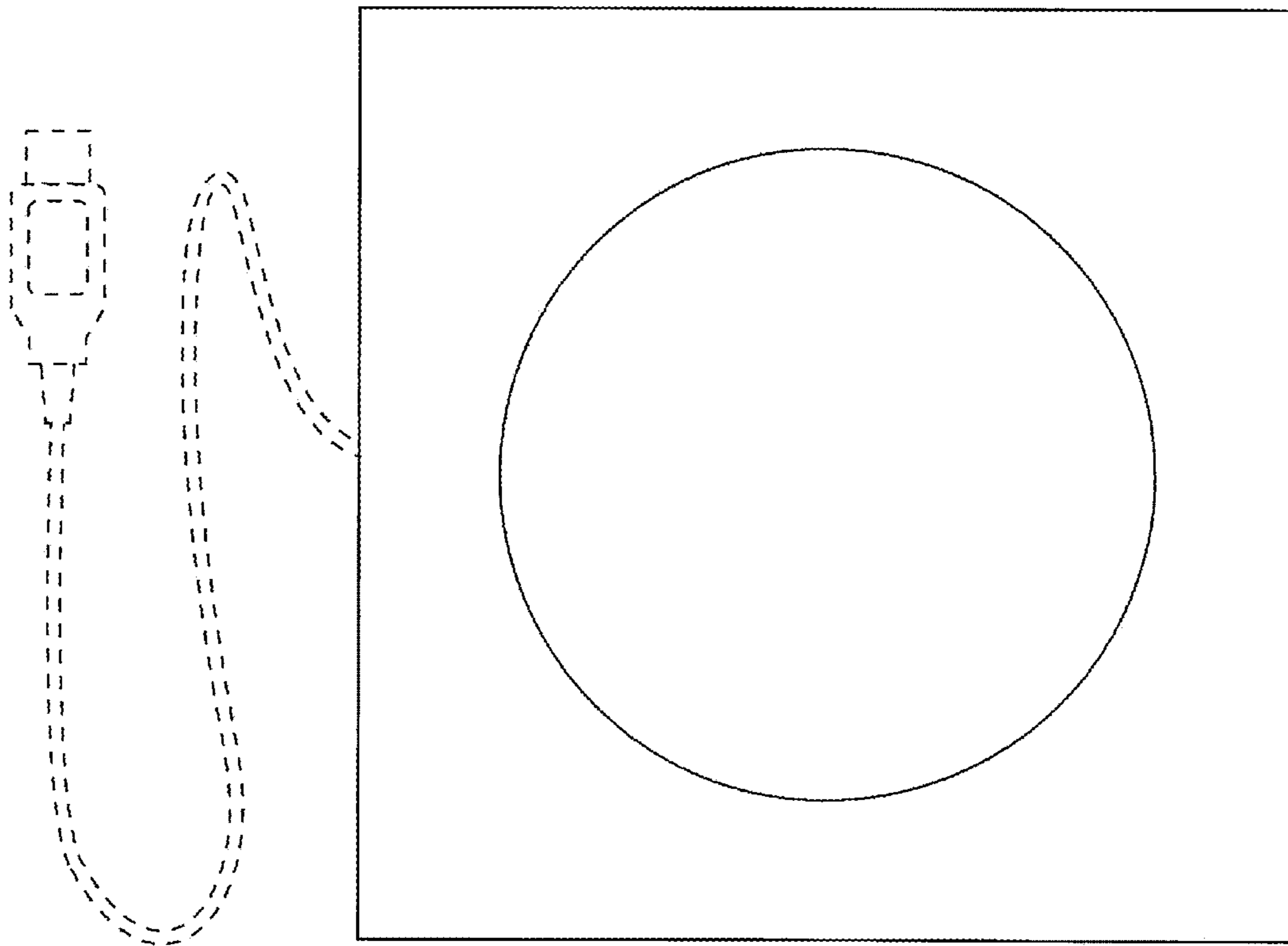


Figure 4

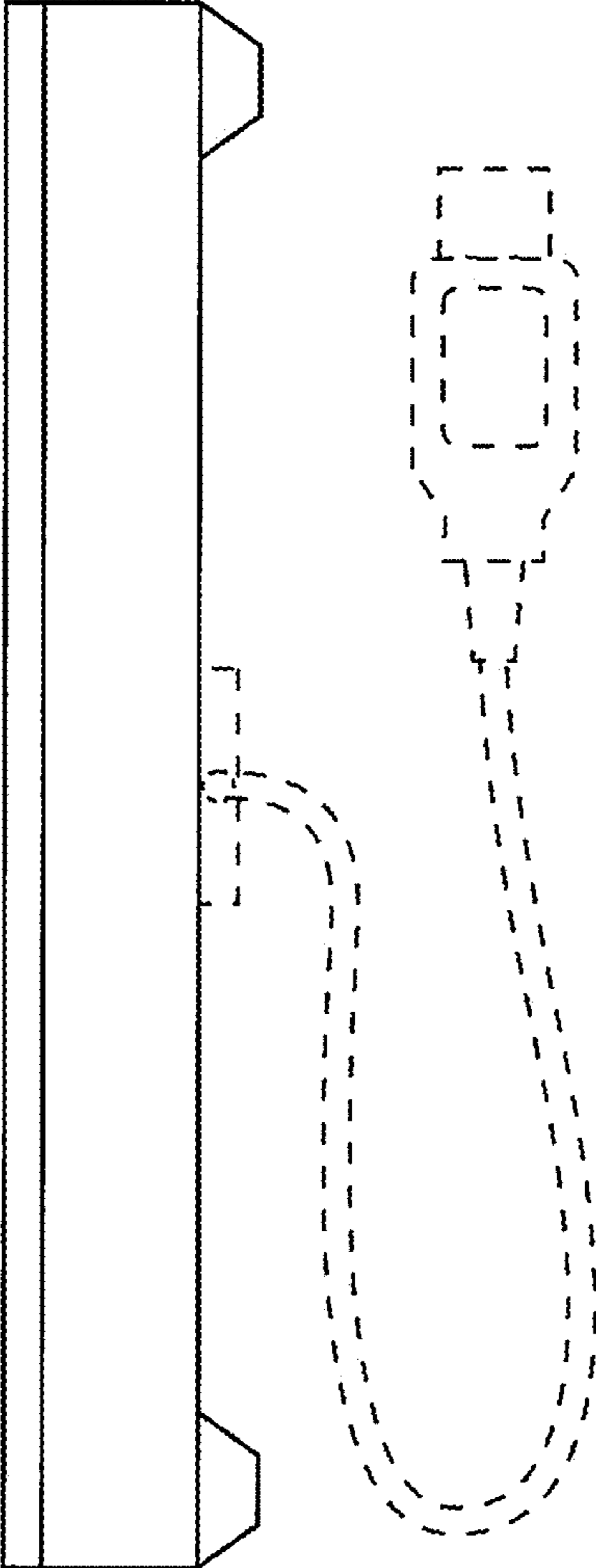


Figure 5

