



US00D771517S

(12) **United States Design Patent**  
**Florendo**

(10) **Patent No.:** **US D771,517 S**  
(45) **Date of Patent:** **\*\* Nov. 15, 2016**

(54) **SNOWMAN CLIP**  
(71) Applicant: **Alpine Corporation**, Los Angeles, CA  
(US)  
(72) Inventor: **Ronaldo Florendo**, Marikina (PH)  
(73) Assignee: **Alpine Corporation**, Commerce, CA  
(US)

(\*\*) Term: **14 Years**  
(21) Appl. No.: **29/523,804**

(22) Filed: **Apr. 14, 2015**  
(51) **LOC (10) Cl.** ..... **11-05**  
(52) **U.S. Cl.**  
USPC ..... **D11/125**  
(58) **Field of Classification Search**  
USPC ..... D11/117, 121, 125, 127, 128, 130, 131,  
D11/132, 133, 134, 136, 157, 158, 160, 164  
CPC ..... A47G 33/08; A47G 33/0809; A47G  
33/0827; A47G 33/00; A47G 33/10; A44C  
1/00; A44C 15/00; A44C 15/0005; B44C  
5/00  
See application file for complete search history.

(56) **References Cited**

**U.S. PATENT DOCUMENTS**

2,484,776 A \* 10/1949 Zent ..... B65D 85/00  
206/446  
D249,027 S \* 8/1978 Dibble ..... D11/125  
D315,277 S \* 3/1991 Meixel ..... D11/128  
D333,261 S \* 2/1993 Van Erkel ..... D11/125

D345,435 S \* 3/1994 McLaughlin, II ..... D11/121  
D384,595 S \* 10/1997 Hartwell-Ruland ..... D11/121  
D411,069 S \* 6/1999 Bear ..... D11/128  
D426,432 S \* 6/2000 Saddler ..... D11/125  
6,378,827 B1 \* 4/2002 Kacines ..... A47G 29/083  
24/546  
D499,355 S \* 12/2004 Yang ..... D11/121  
D542,702 S \* 5/2007 Harper ..... D11/124  
D543,484 S \* 5/2007 Peterson ..... D11/125  
D550,587 S \* 9/2007 Limber ..... D11/117  
D579,815 S \* 11/2008 Chen ..... D11/117  
7,988,116 B2 \* 8/2011 Kacines ..... A47G 33/04  
248/309.1  
D663,474 S \* 7/2012 Browder ..... D26/125  
D694,086 S \* 11/2013 Dorius ..... D11/128  
D729,687 S \* 5/2015 McKee ..... D11/127

\* cited by examiner

*Primary Examiner* — Elizabeth J Oswecki  
(74) *Attorney, Agent, or Firm* — Payam Moradian

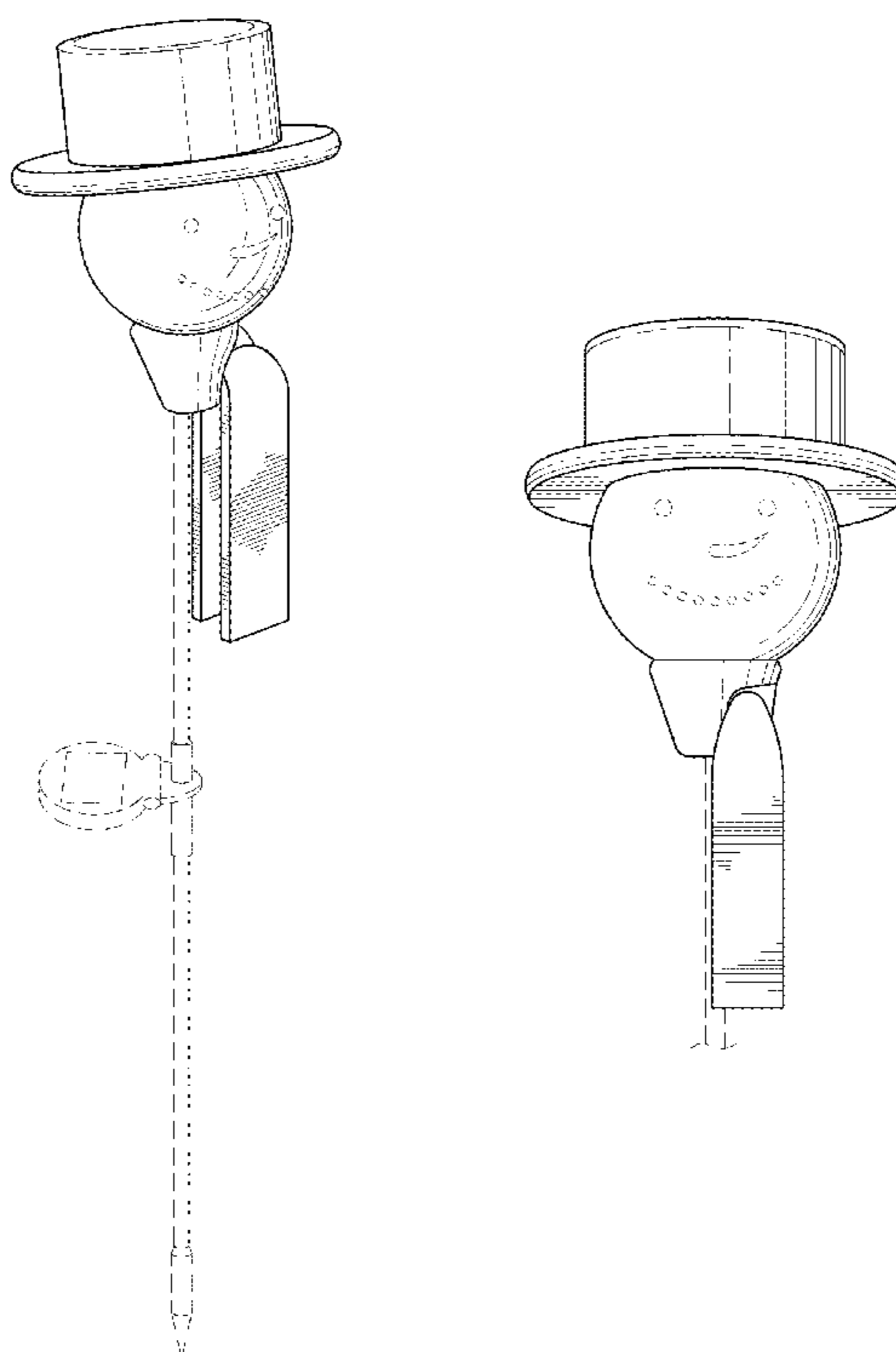
(57) **CLAIM**

The ornamental design for a snowman clip, as shown and described.

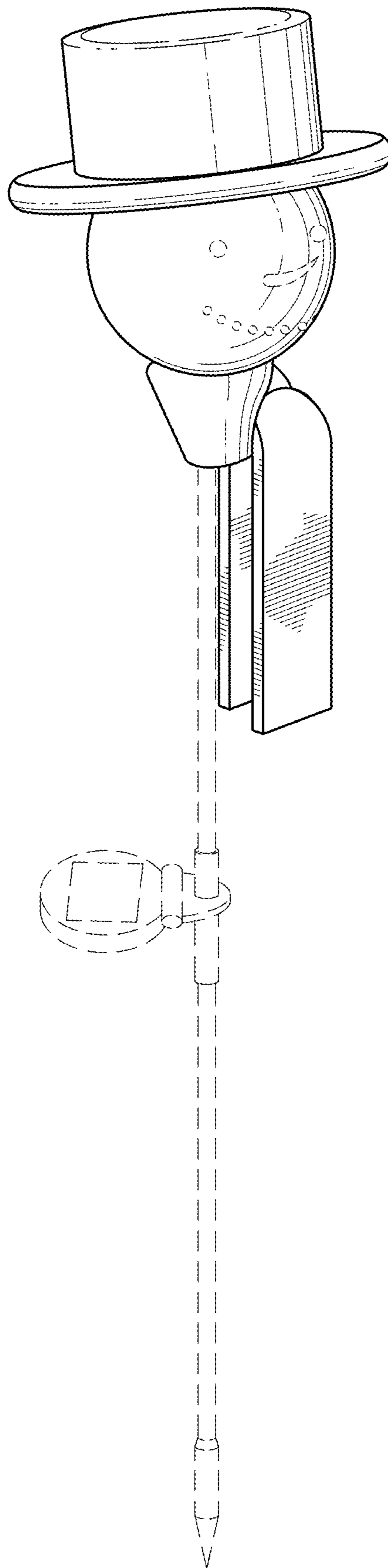
**DESCRIPTION**

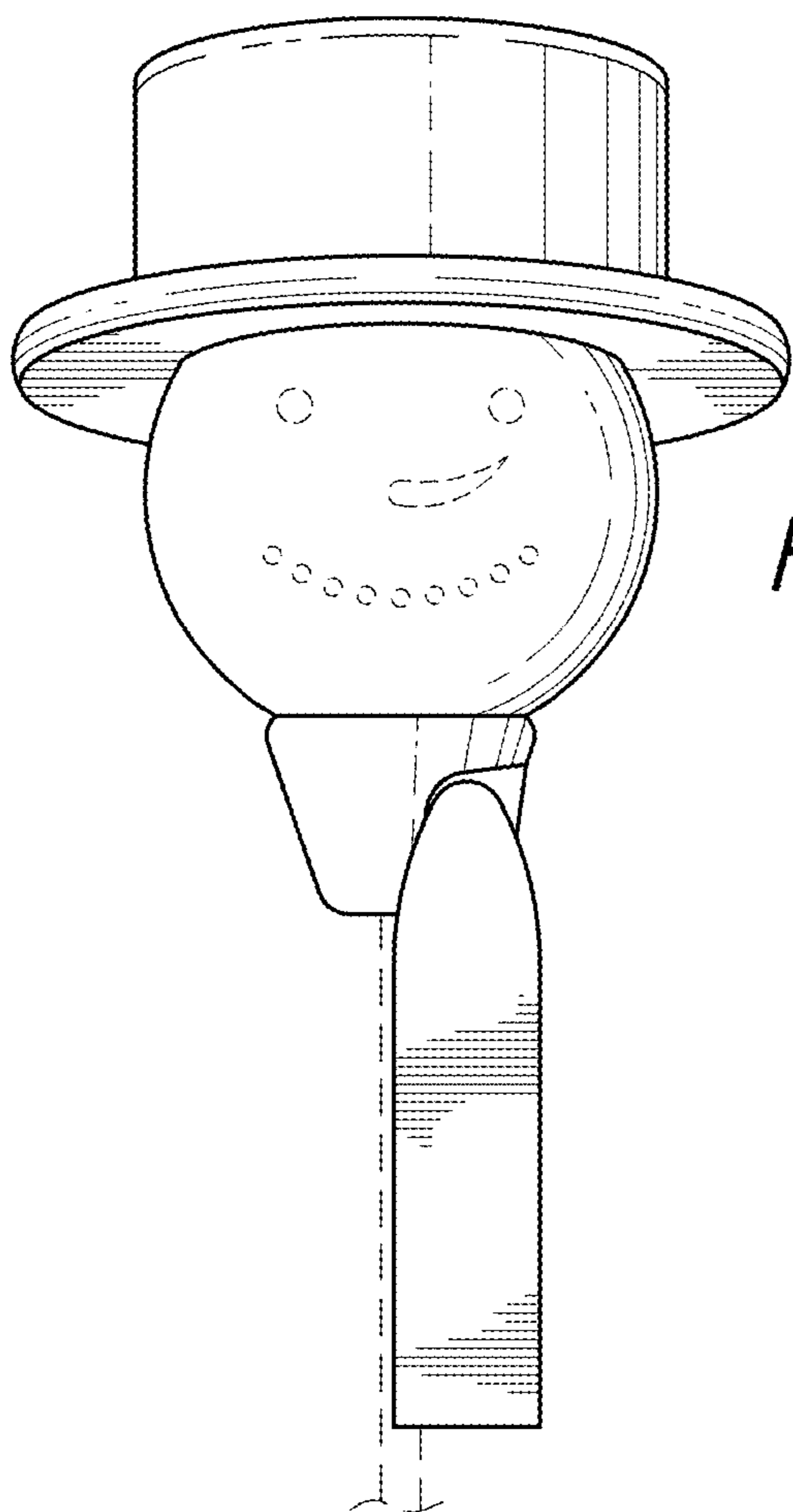
FIG. 1 is a perspective view of a snowman showing my new design;  
FIG. 2 is a front view thereof;  
FIG. 3 is a rear view thereof;  
FIG. 4 is a left side view thereof; and,  
FIG. 5 is a right side view thereof.  
The broken lines shown in the drawings represent portions of the snowman that form no part of the claimed design.  
All surfaces not shown form no part of the claimed design.

**1 Claim, 3 Drawing Sheets**

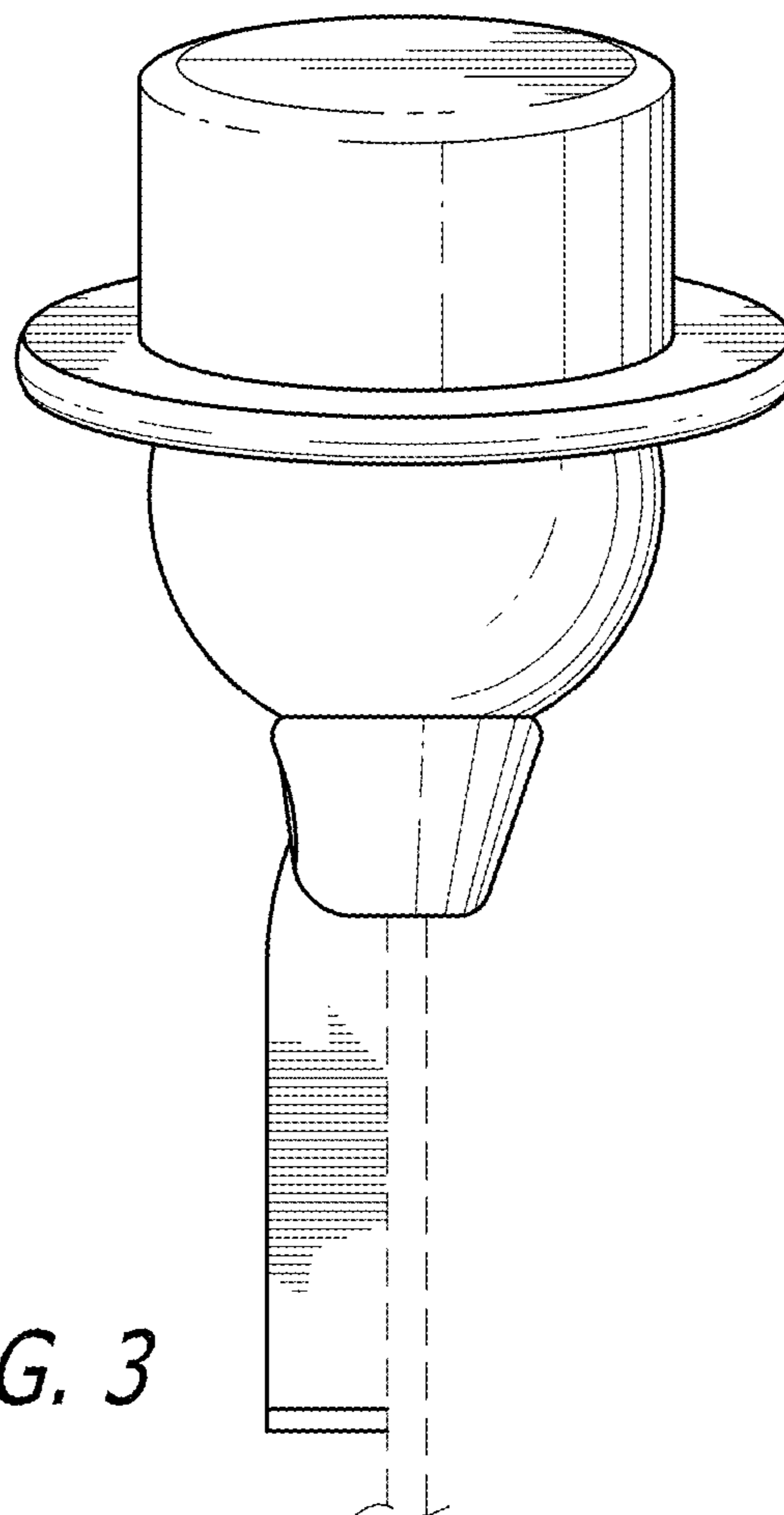


*FIG. 1*

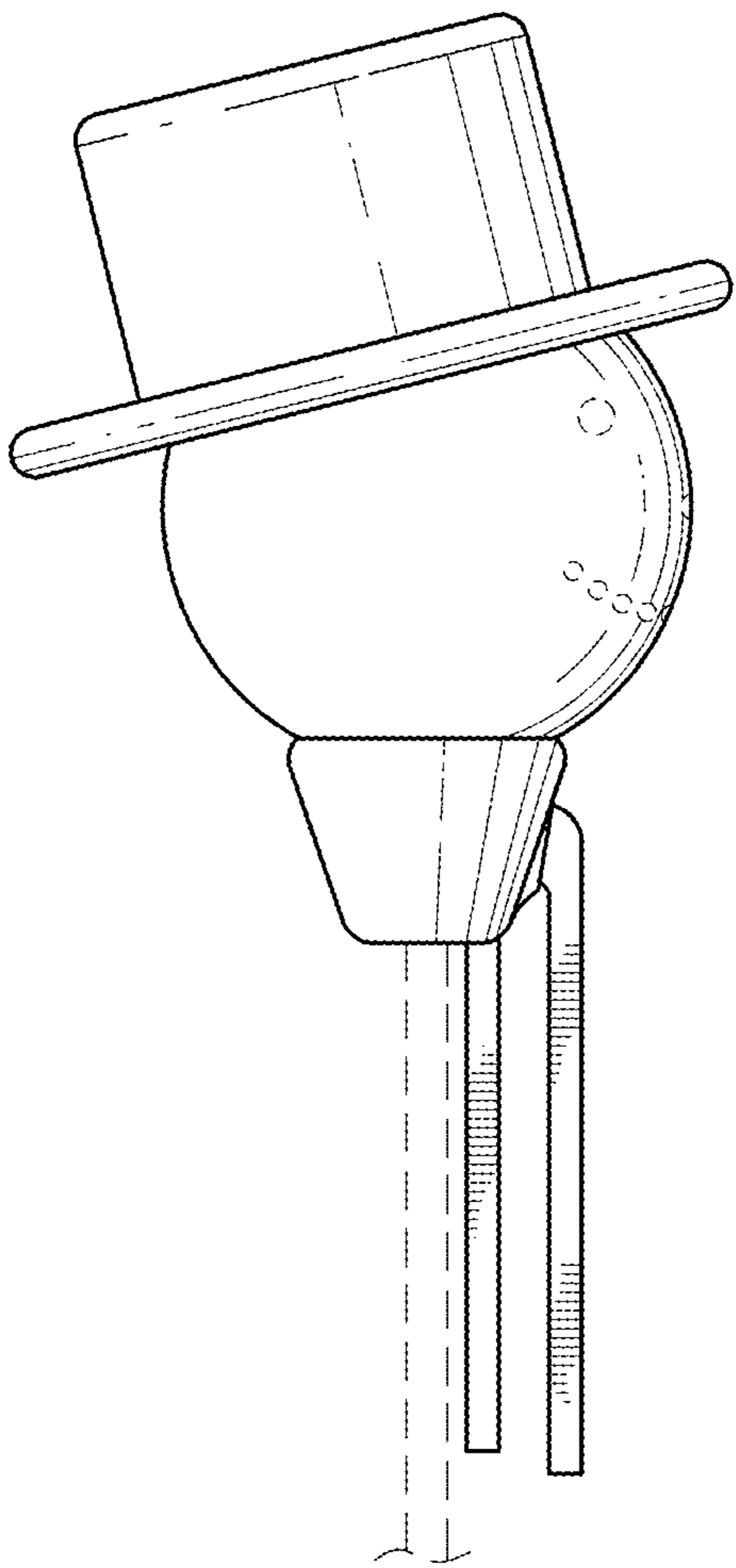




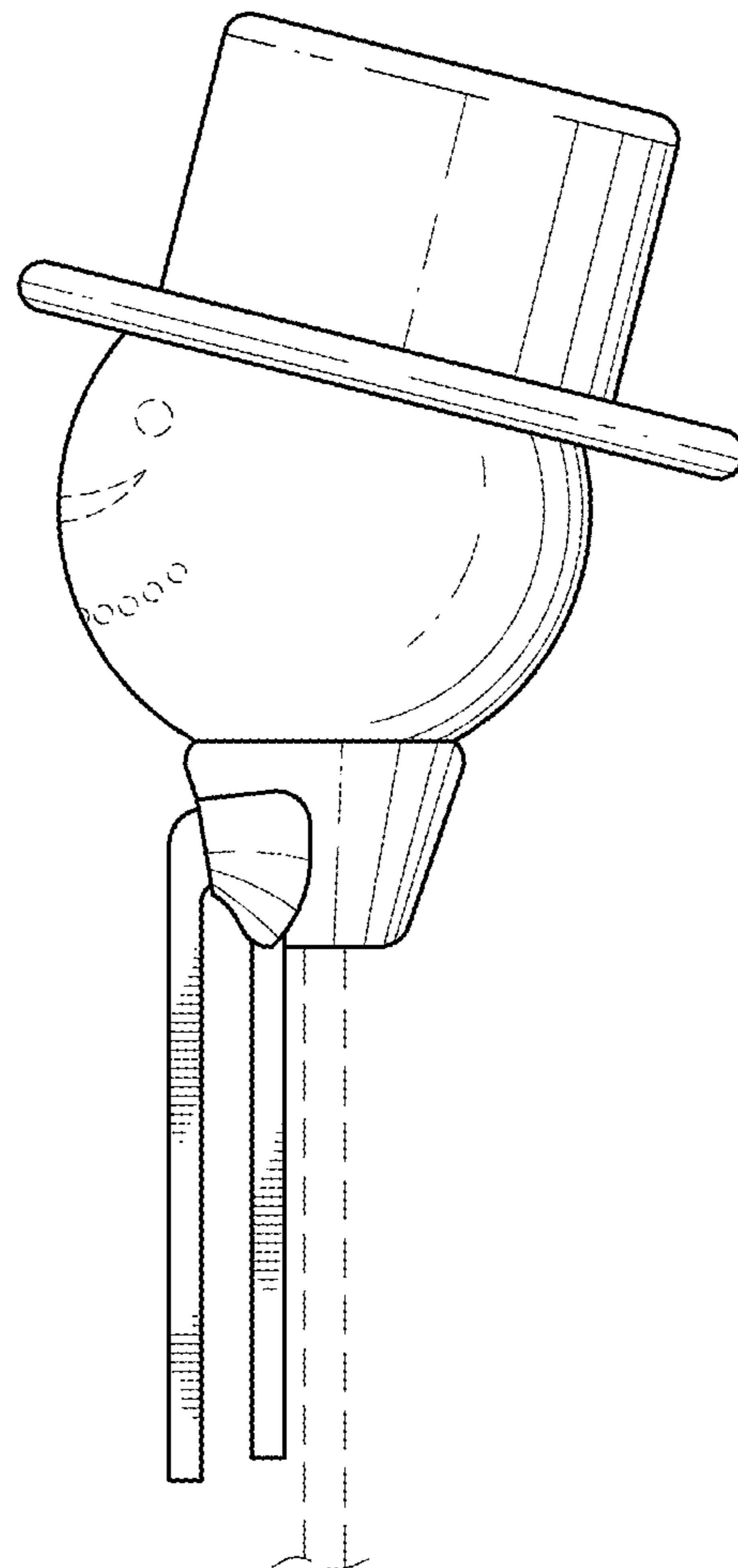
*FIG. 2*



*FIG. 3*



*FIG. 4*



*FIG. 5*