



US00D771511S

(12) **United States Design Patent** (10) **Patent No.:** **US D771,511 S**
Poesel et al. (45) **Date of Patent:** **** Nov. 15, 2016**

(54) **ELECTRONIC BRACELET FOR ACCESS CONTROL**

(71) Applicant: **GANTNER ELECTRONIC GMBH, Schruns (AT)**

(72) Inventors: **Hanno Poesel, Feldkirch (AT); Franz Duenser, Bludenz (AT); Elmar Hartmann, Bludenz (AT)**

(73) Assignee: **GANTNER ELECTRONIC GMBH, Schruns (AT)**

(**) Term: **15 Years**

(21) Appl. No.: **29/545,995**

(22) Filed: **Nov. 18, 2015**

Related U.S. Application Data

(62) Division of application No. 29/494,034, filed on Jun. 17, 2014, now Pat. No. Des. 750,521.

(30) **Foreign Application Priority Data**

Dec. 17, 2013 (EM) 002371336

(51) **LOC (10) Cl.** **10-05**

(52) **U.S. Cl.**
USPC **D10/104.1**

(58) **Field of Classification Search**
USPC D10/104.1, 104.2, 31, 32, 70; D11/3; D24/186-187
CPC G06T 1/20

See application file for complete search history.

(56) **References Cited**

U.S. PATENT DOCUMENTS

D519,396 S	4/2006	Migliorati	
D564,367 S	3/2008	Molyneux	
D565,427 S	4/2008	Ellner et al.	
D661,275 S *	6/2012	Roka	D10/31
D684,082 S *	6/2013	Alvarez	D11/3
D710,220 S *	8/2014	Daniel	D10/104.2
D711,002 S *	8/2014	Ohnemus	D24/186
D721,292 S *	1/2015	Choi	D10/70
D725,510 S *	3/2015	Henning	D10/70
D729,650 S *	5/2015	Phillips	D10/32
D730,763 S *	6/2015	Haapakoski	D10/70
D749,002 S *	2/2016	Park	D10/70
D753,314 S *	4/2016	Stivoric	D24/187
2015/0186092 A1	7/2015	Francis et al.	

* cited by examiner

Primary Examiner — George D Kirschbaum
(74) *Attorney, Agent, or Firm* — Browdy and Neimark, PLLC

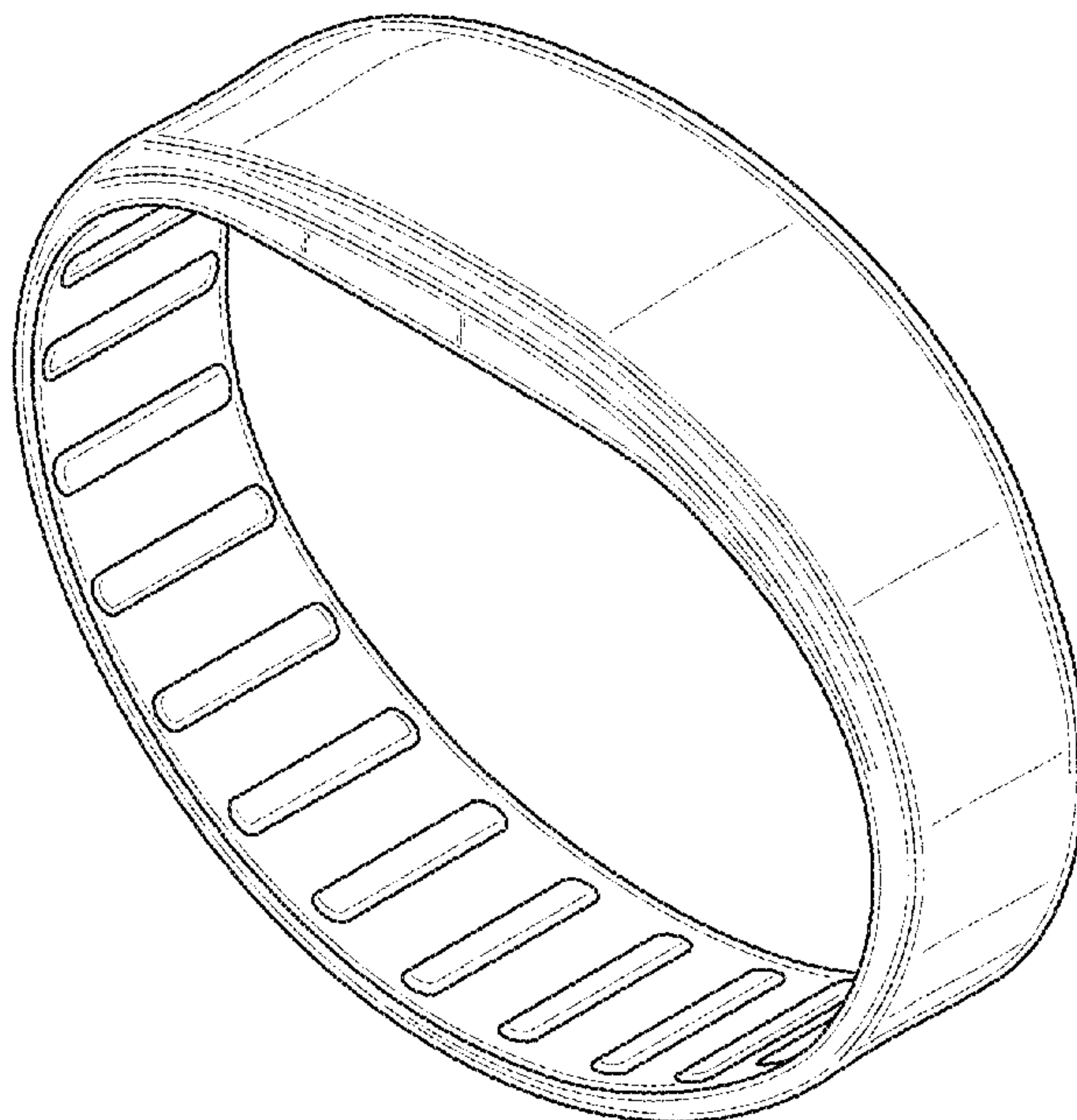
(57) **CLAIM**

The ornamental design for an electronic bracelet for access control, as shown and described.

DESCRIPTION

FIG. 1 is a perspective view of an electronic bracelet for access control according to the present design;
FIG. 2 is a front view thereof;
FIG. 3 is a rear view thereof;
FIG. 4 is a right side view thereof;
FIG. 5 is a left side view thereof;
FIG. 6 is a top view thereof; and,
FIG. 7 is a bottom view thereof.

1 Claim, 5 Drawing Sheets



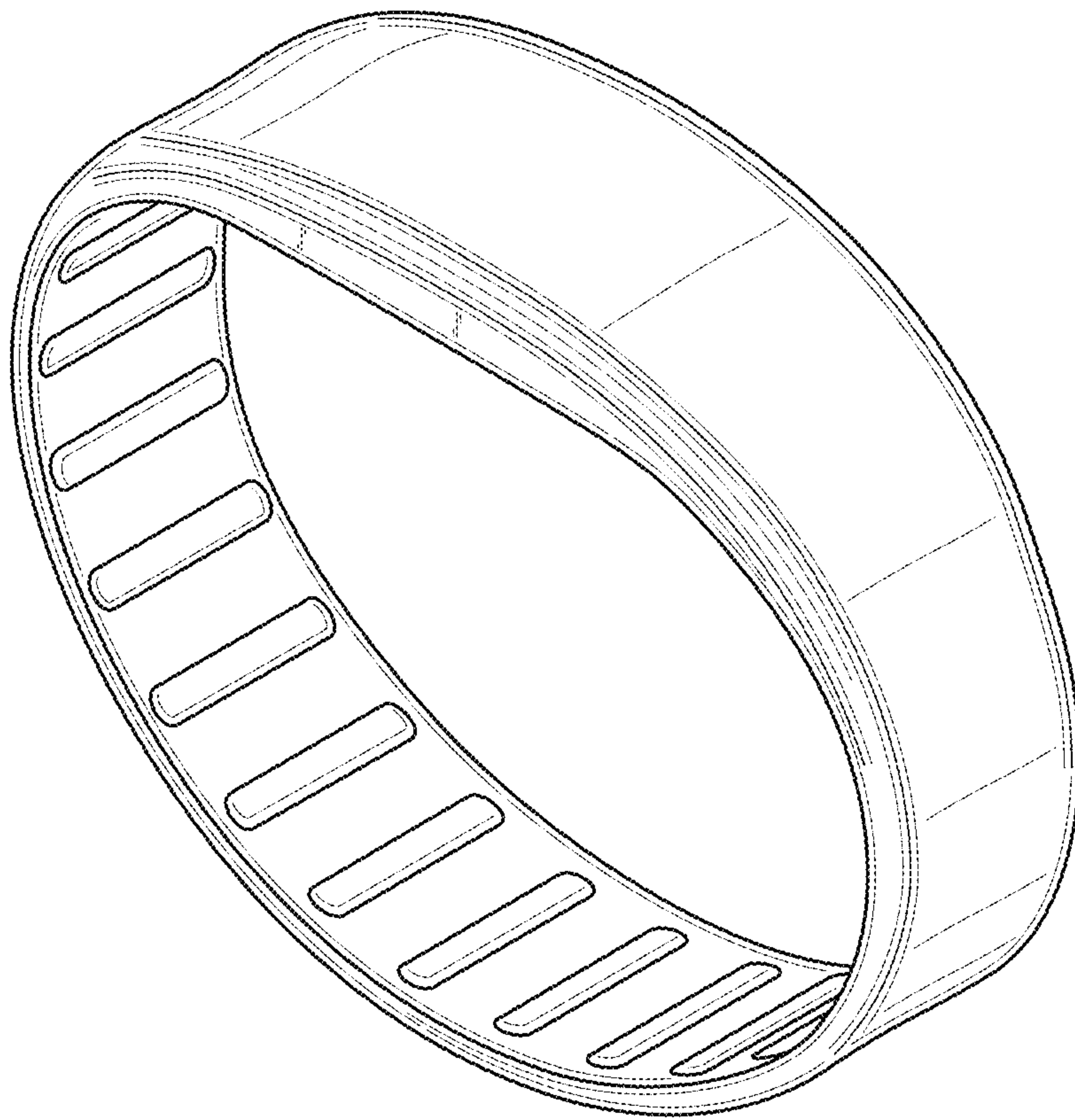


FIG. 1

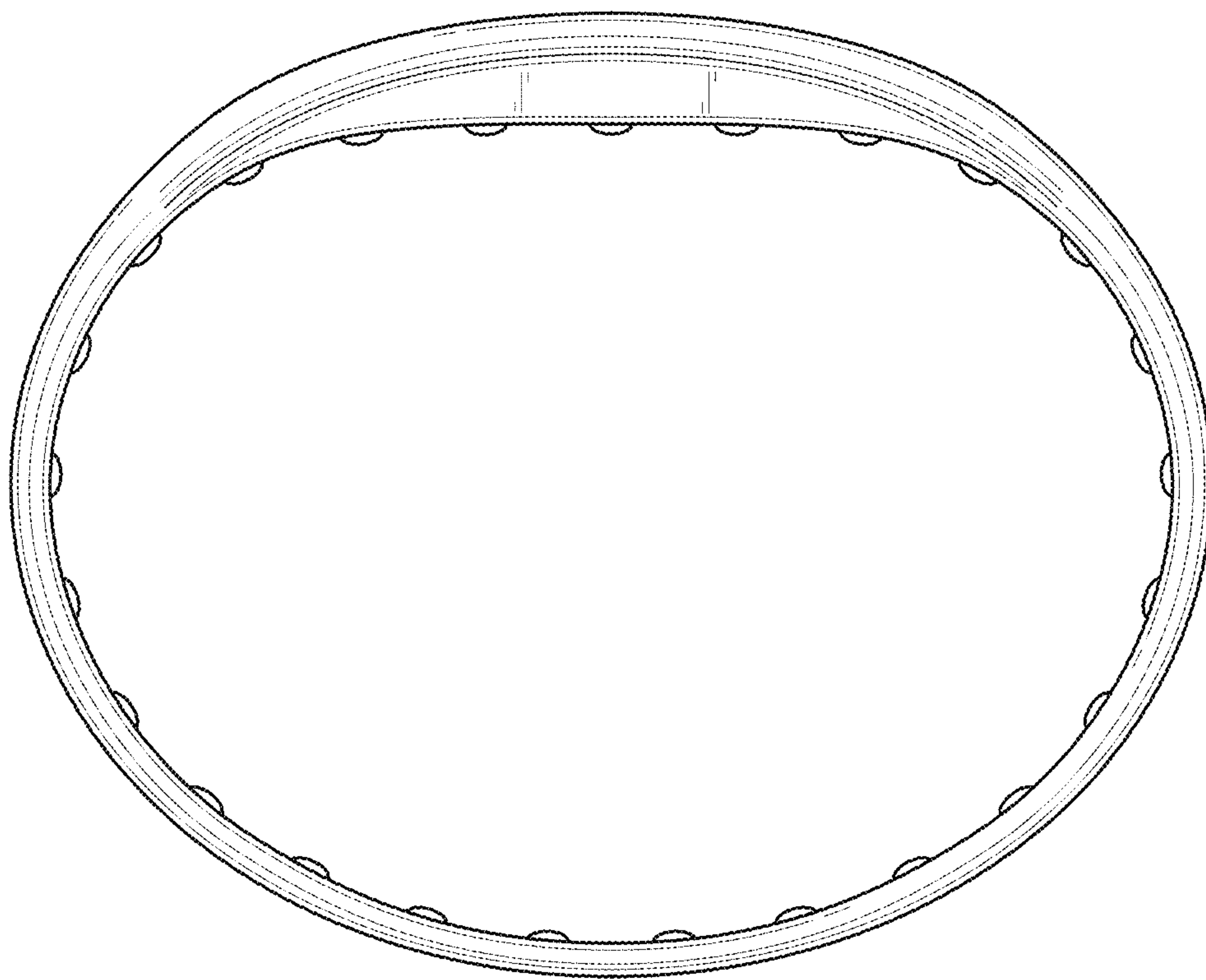


FIG. 2

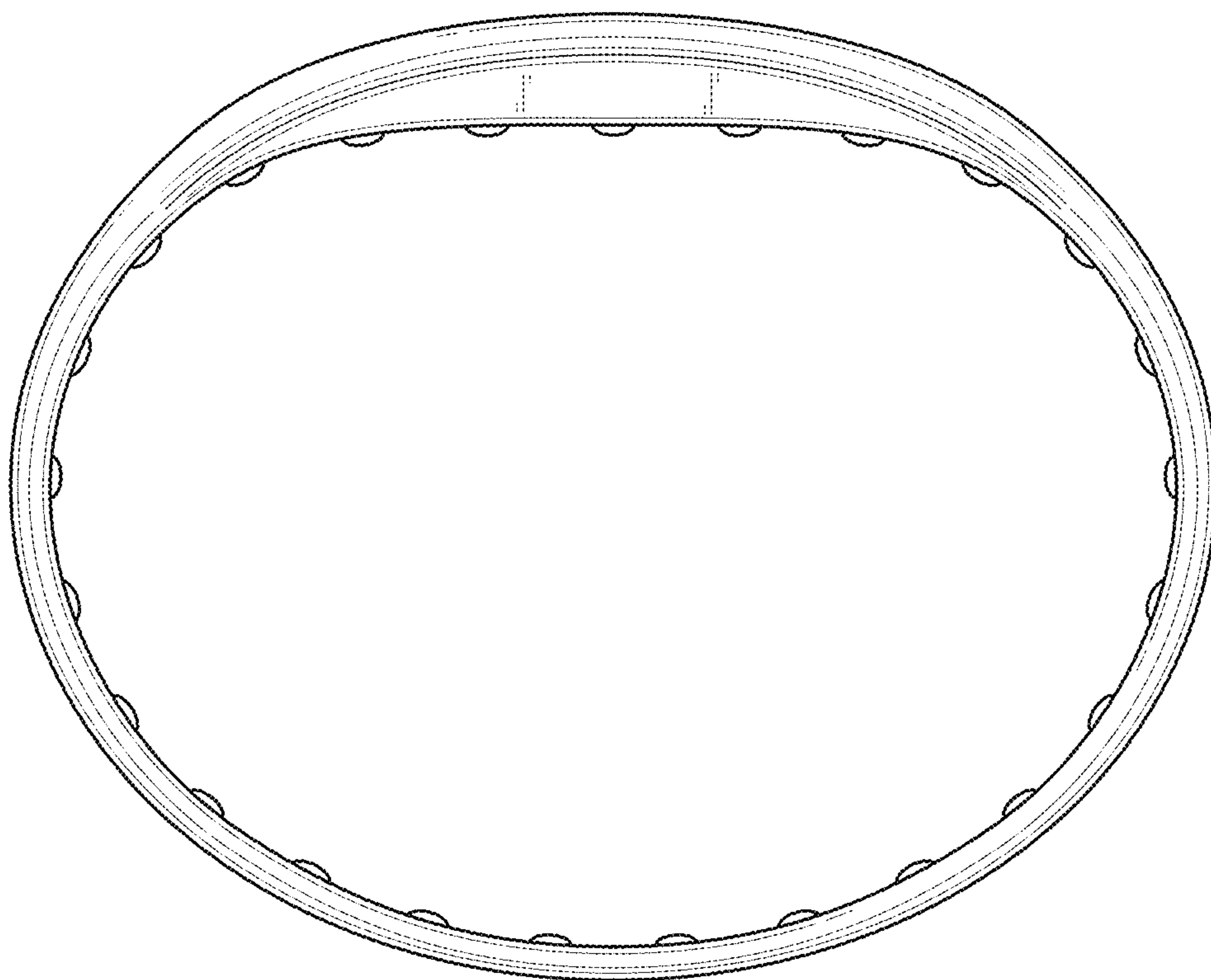


FIG. 3

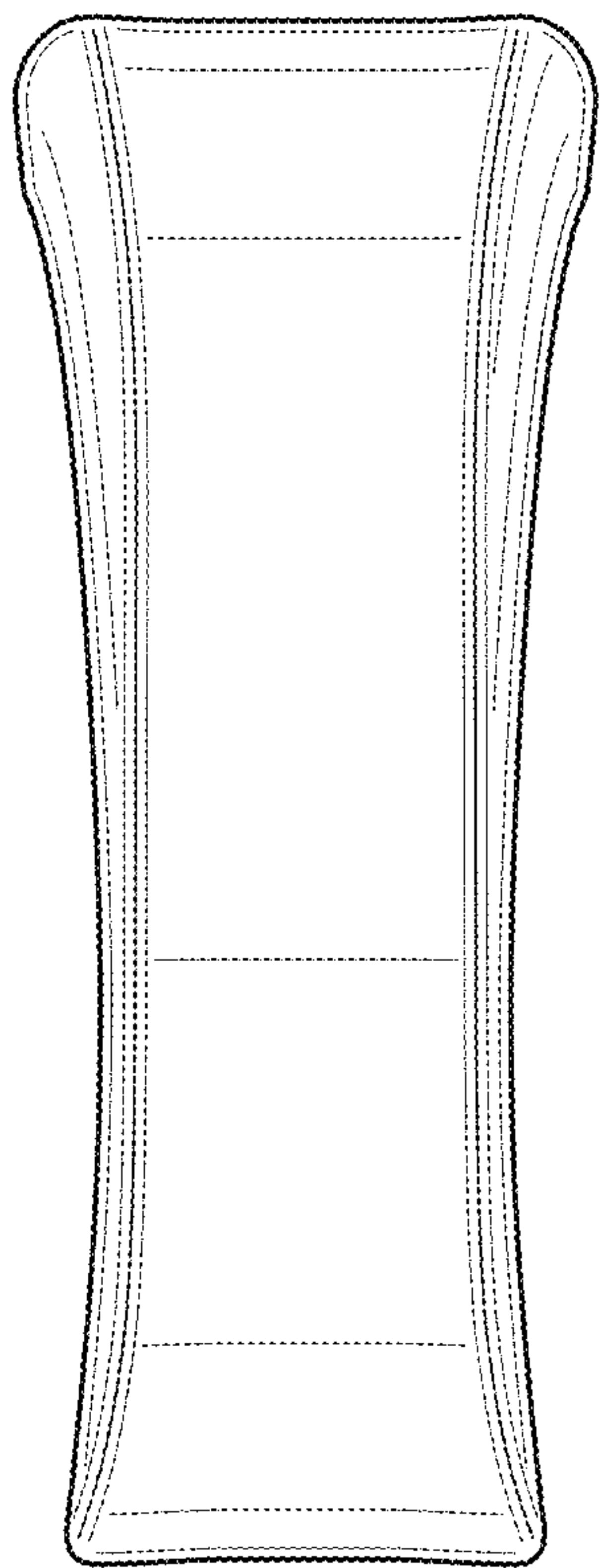


FIG. 4

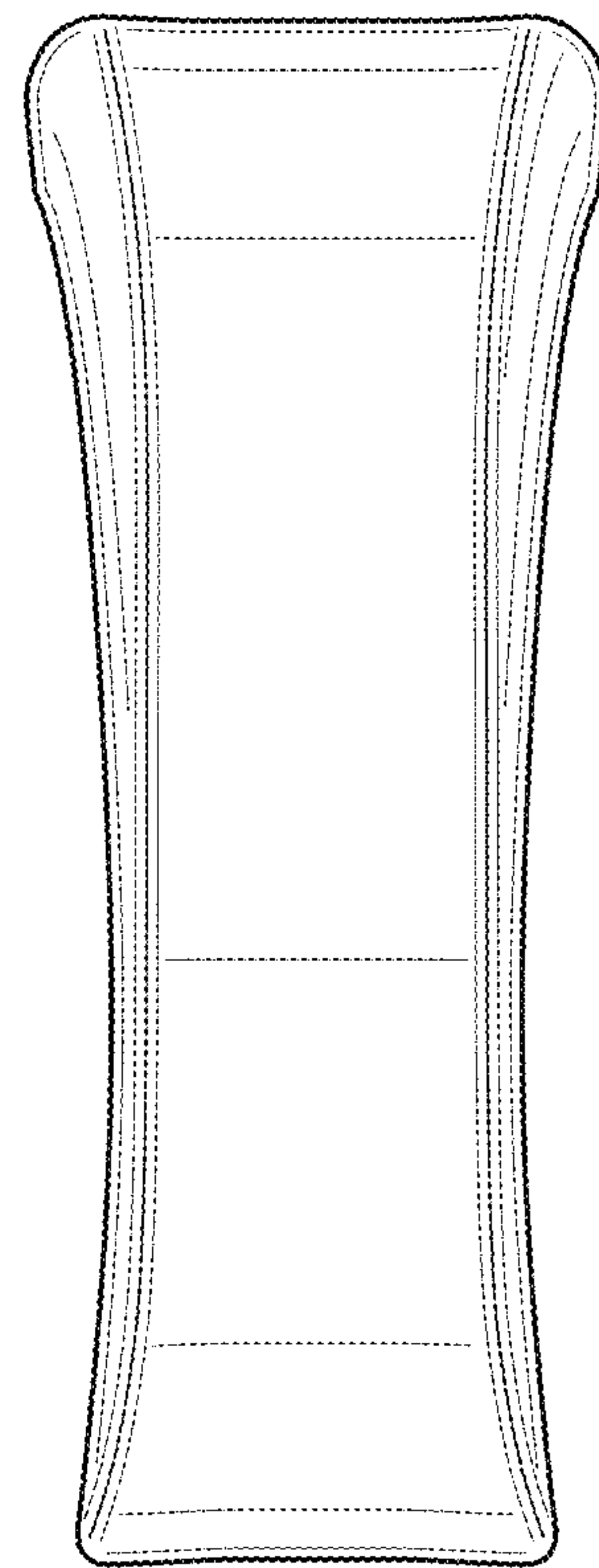


FIG. 5

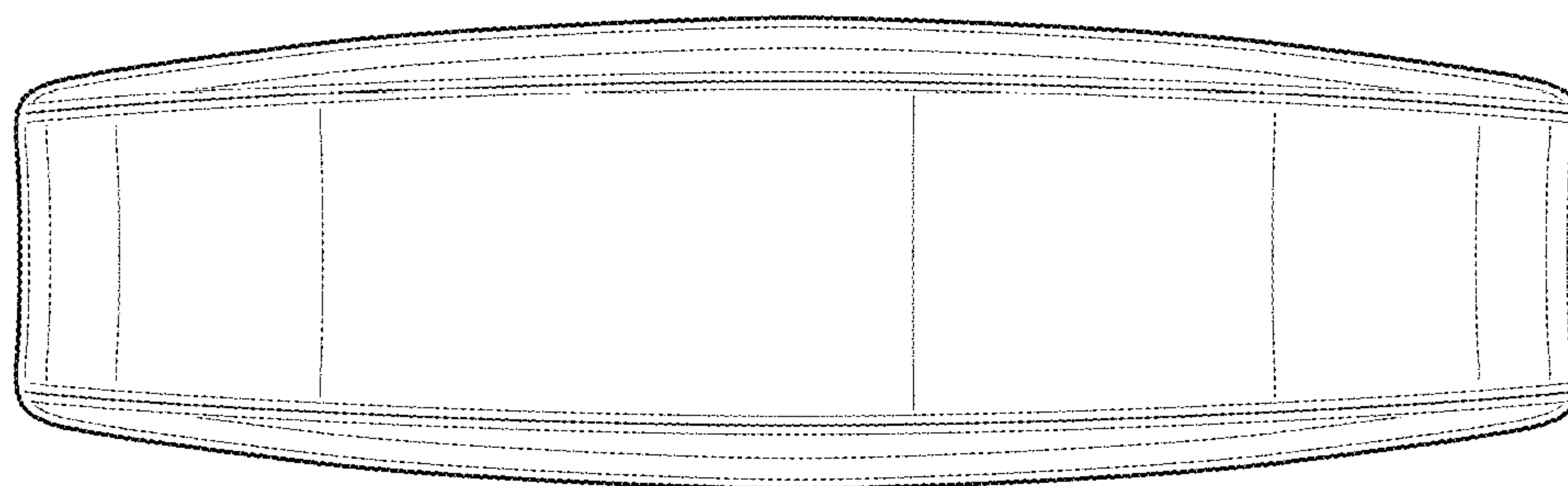


FIG. 6

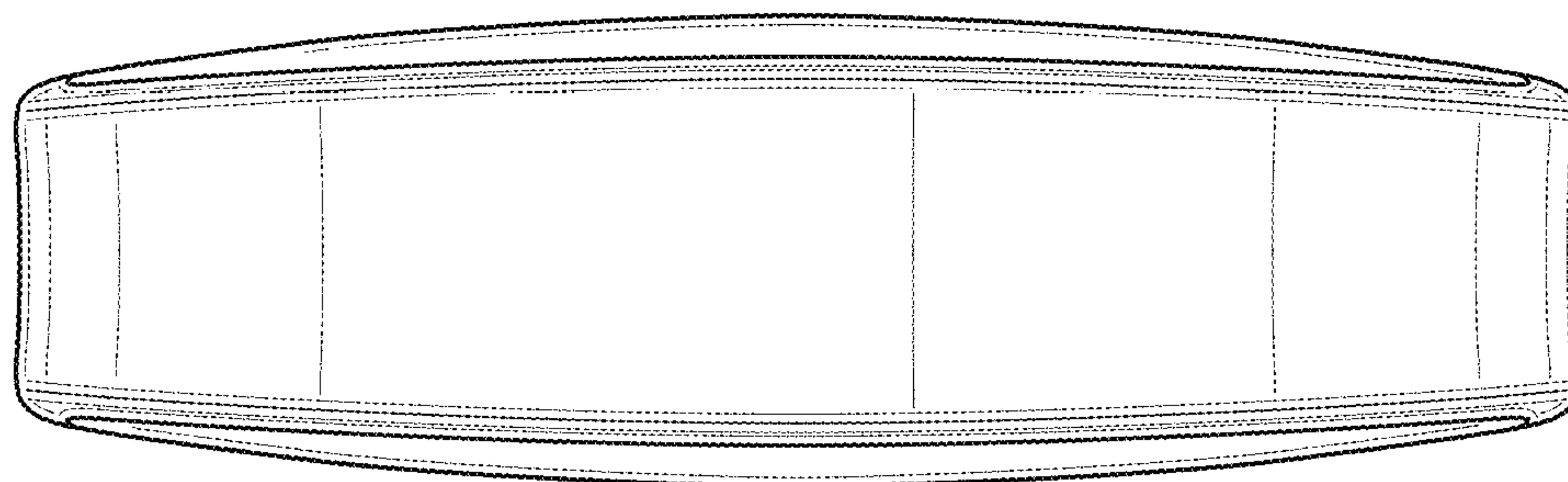


FIG. 7