



US00D771509S

(12) **United States Design Patent** (10) **Patent No.:** **US D771,509 S**
Besett et al. (45) **Date of Patent:** **** Nov. 15, 2016**

(54) **ENCLOSURE FOR RF TESTING WITHIN AN ENVIRONMENTAL CHAMBER**

(71) Applicant: **Landis+Gyr Innovations, Inc.**, Alpharetta, GA (US)

(72) Inventors: **Anthony Joseph Besett**, Sebeka, MN (US); **Matthew Donald Karlgaard**, Nisswa, MN (US)

(73) Assignee: **Landis+Gyr Innovations, Inc.**, Alpharetta, GA (US)

(**) Term: **15 Years**

(21) Appl. No.: **29/505,424**

(22) Filed: **Oct. 27, 2015**

(51) **LOC (10) Cl.** **10-04**

(52) **U.S. Cl.**
USPC **D10/75**

(58) **Field of Classification Search**
USPC D10/75
CPC G01R 29/08; G01R 29/0807; G01R 29/0814; G01R 29/0821; G01R 29/0828; G01R 29/0835; G01R 29/0842; G01R 29/085; G01R 29/0857; G01R 29/0864; G01R 29/0871; G01R 29/0878; G01R 29/0885; G01R 29/0892; G01R 29/10
See application file for complete search history.

(56) **References Cited**

U.S. PATENT DOCUMENTS

D240,356 S * 6/1976 Johnson D10/76
4,868,716 A * 9/1989 Taylor H05K 9/0062
361/693

6,021,215 A * 2/2000 Kornblit G06T 11/206
257/E21.528
D553,520 S * 10/2007 Ems D10/75
7,286,961 B2 * 10/2007 Kildal G01R 29/105
702/182
7,880,670 B2 * 2/2011 Villarroel G01R 29/0871
342/165
8,530,756 B1 * 9/2013 Winch H05K 9/0001
174/382
9,258,067 B2 * 2/2016 Kildal G01R 29/0821

* cited by examiner

Primary Examiner — Antoine D Davis

(74) *Attorney, Agent, or Firm* — Kilpatrick Townsend & Stockton LLP

(57) **CLAIM**

The ornamental design for an enclosure for RF testing within an environmental chamber, as shown and described.

DESCRIPTION

FIG. 1 is a front perspective view of an enclosure for RF testing within an environmental chamber, shown with the door open.

FIG. 2 is a front view of the enclosure of FIG. 1, shown with the door closed.

FIG. 3 is a rear view of the enclosure of FIG. 1, shown with the door closed.

FIG. 4 is a right side view of the enclosure of FIG. 1, shown with the door closed.

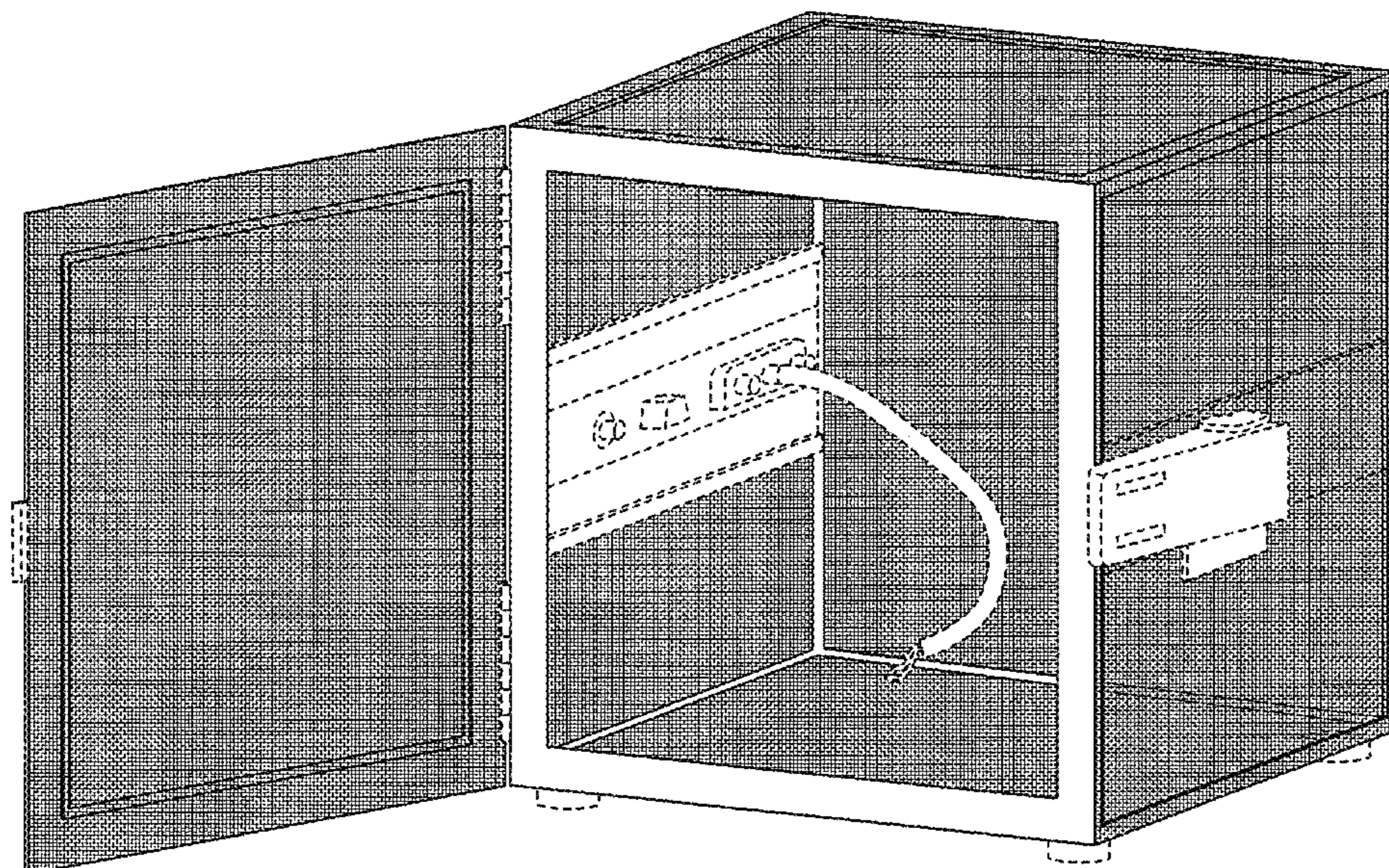
FIG. 5 is a left side view of the enclosure of FIG. 1, shown with the door closed.

FIG. 6 is a top view of the enclosure of FIG. 1, shown with the door closed; and,

FIG. 7 is a bottom view of the enclosure of FIG. 1, shown with the door closed.

The broken lines form no part of the claimed design.

1 Claim, 7 Drawing Sheets



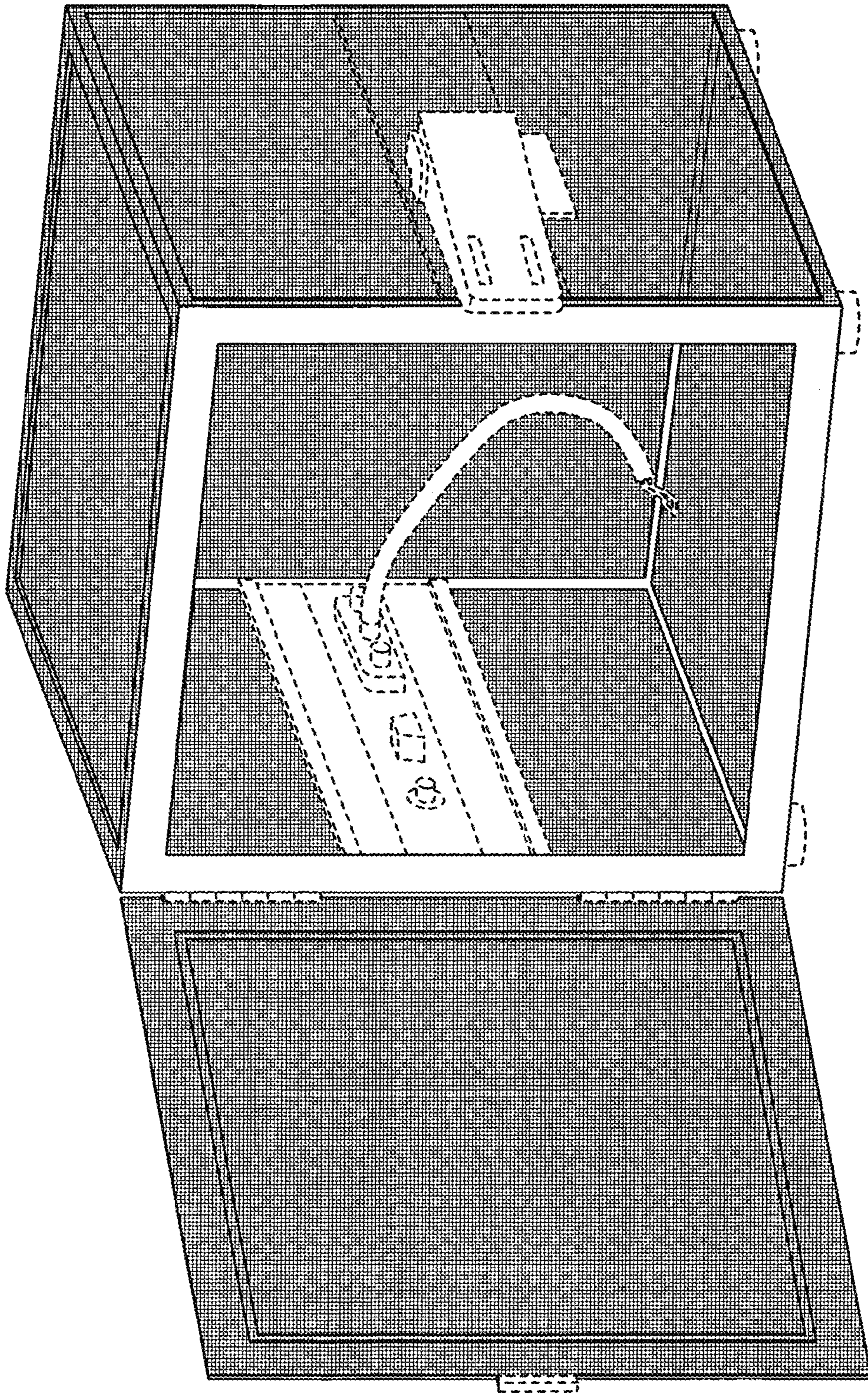


FIG. 1

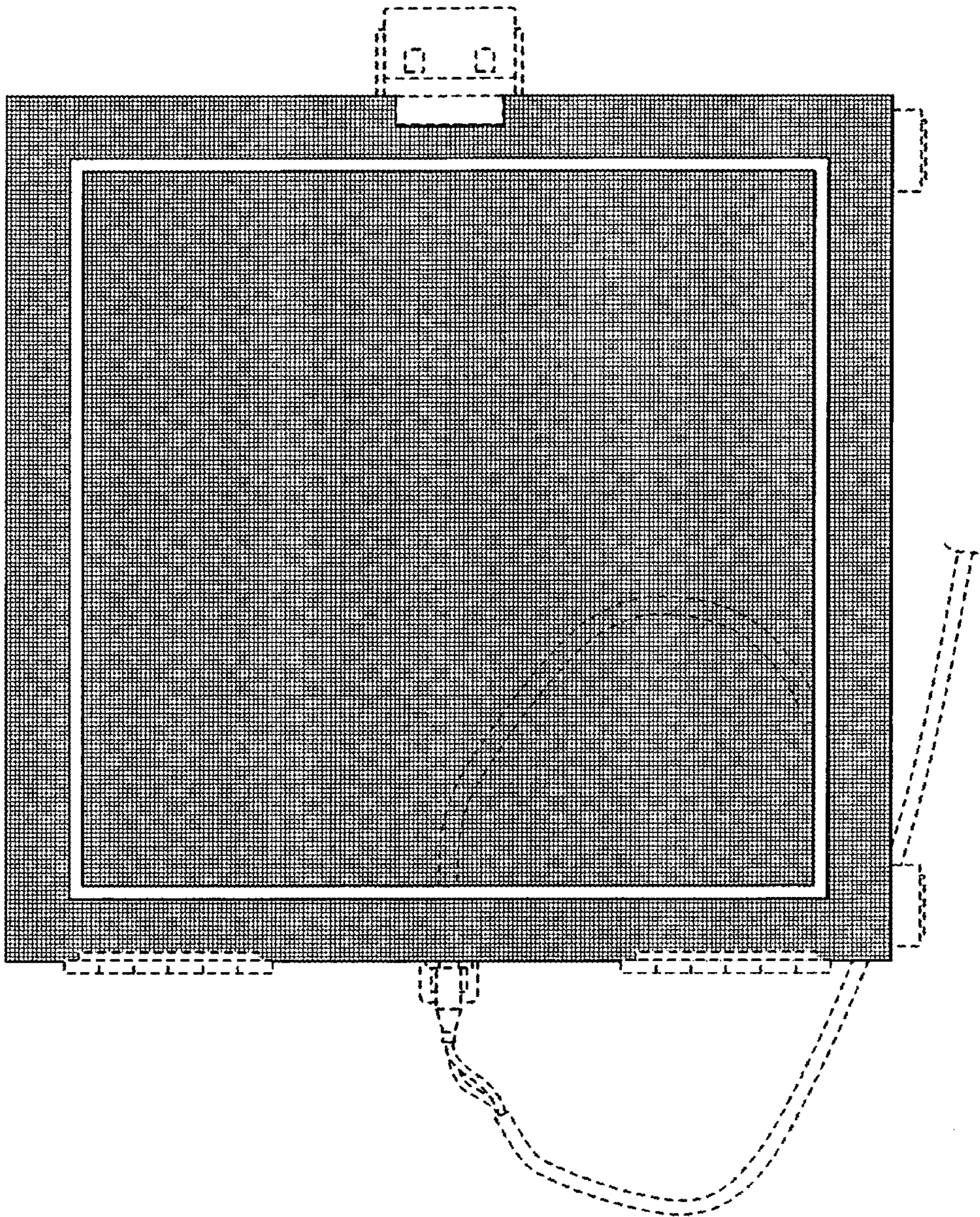


FIG. 2

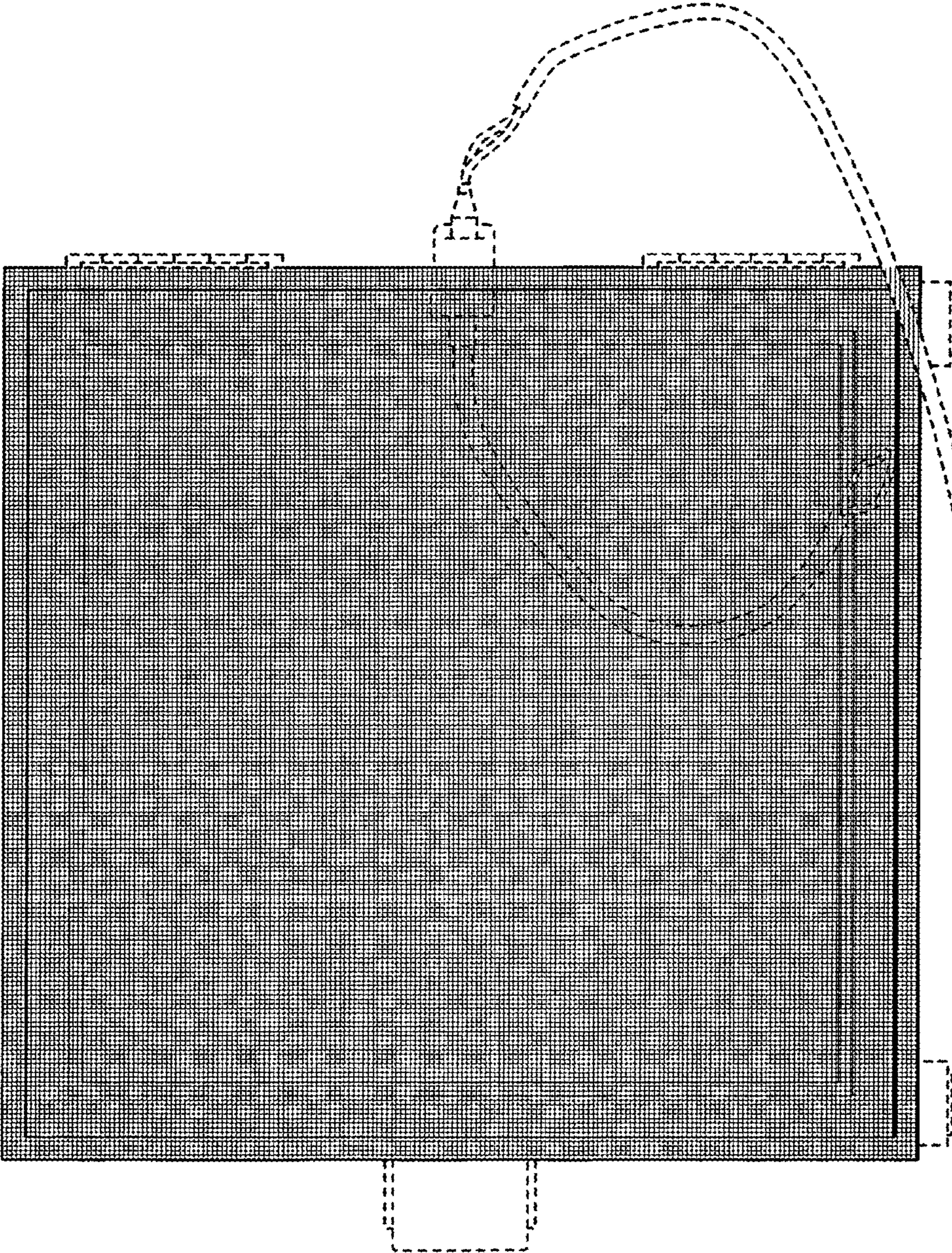


FIG. 3

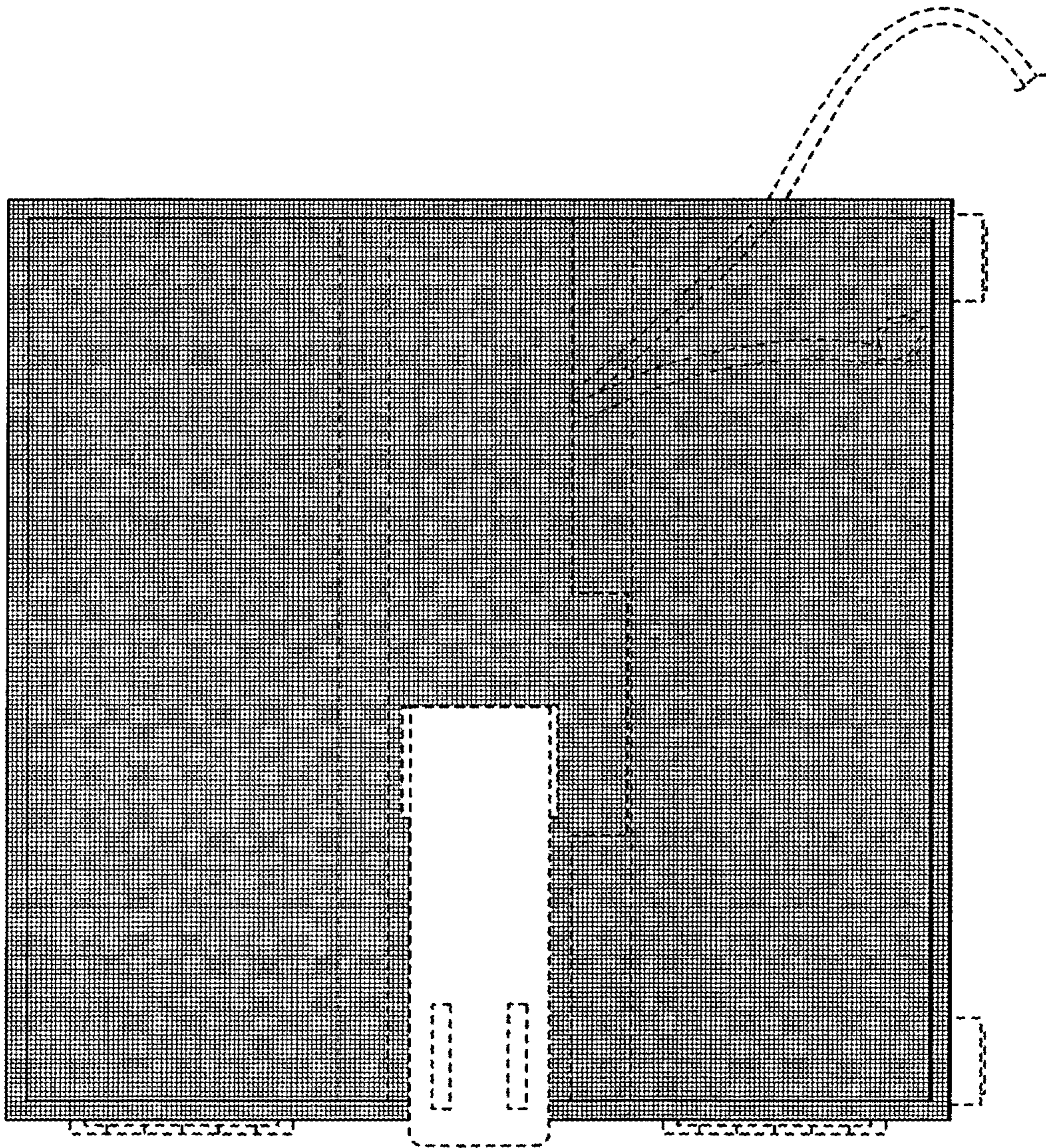


FIG. 4

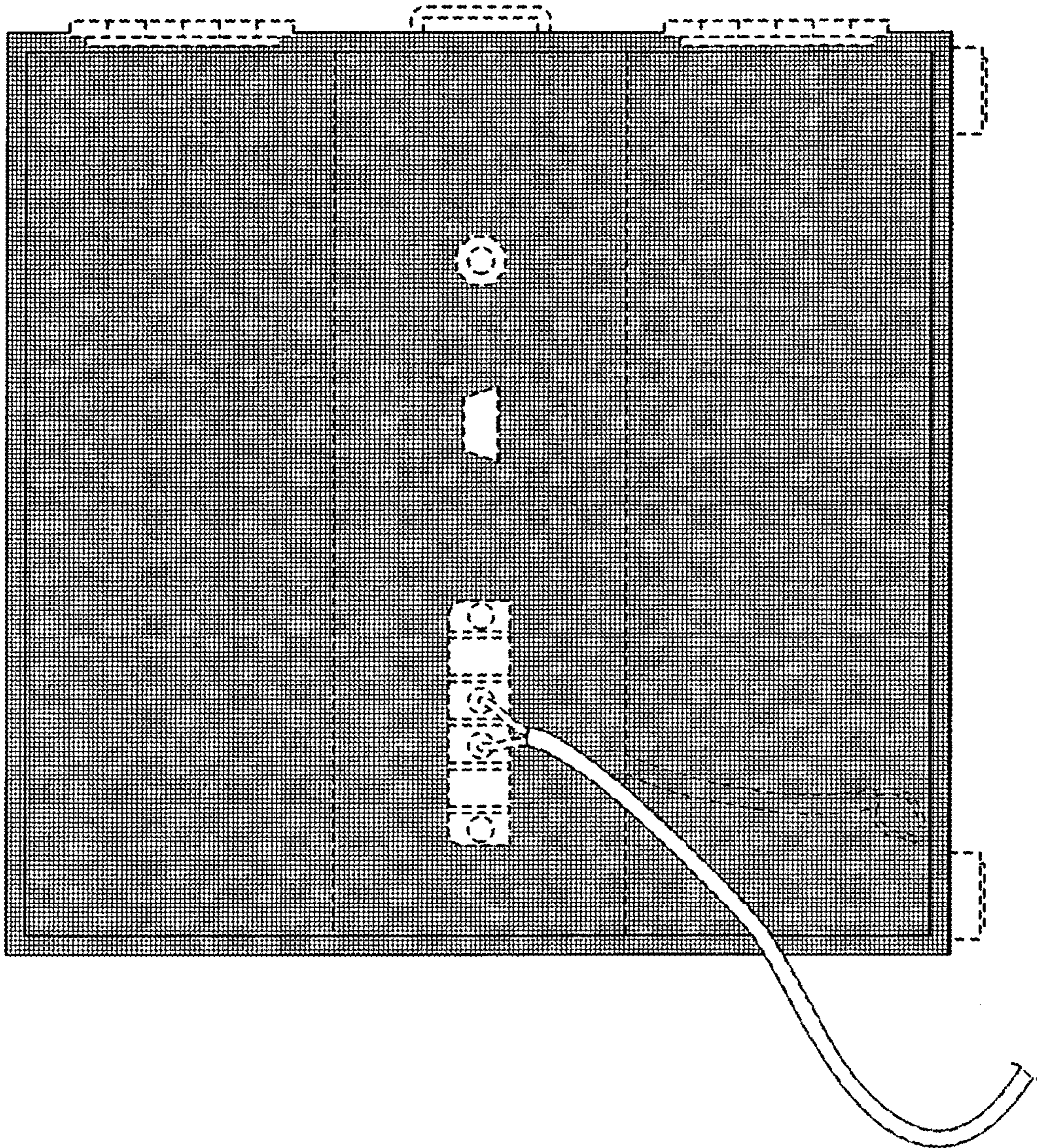


FIG. 5

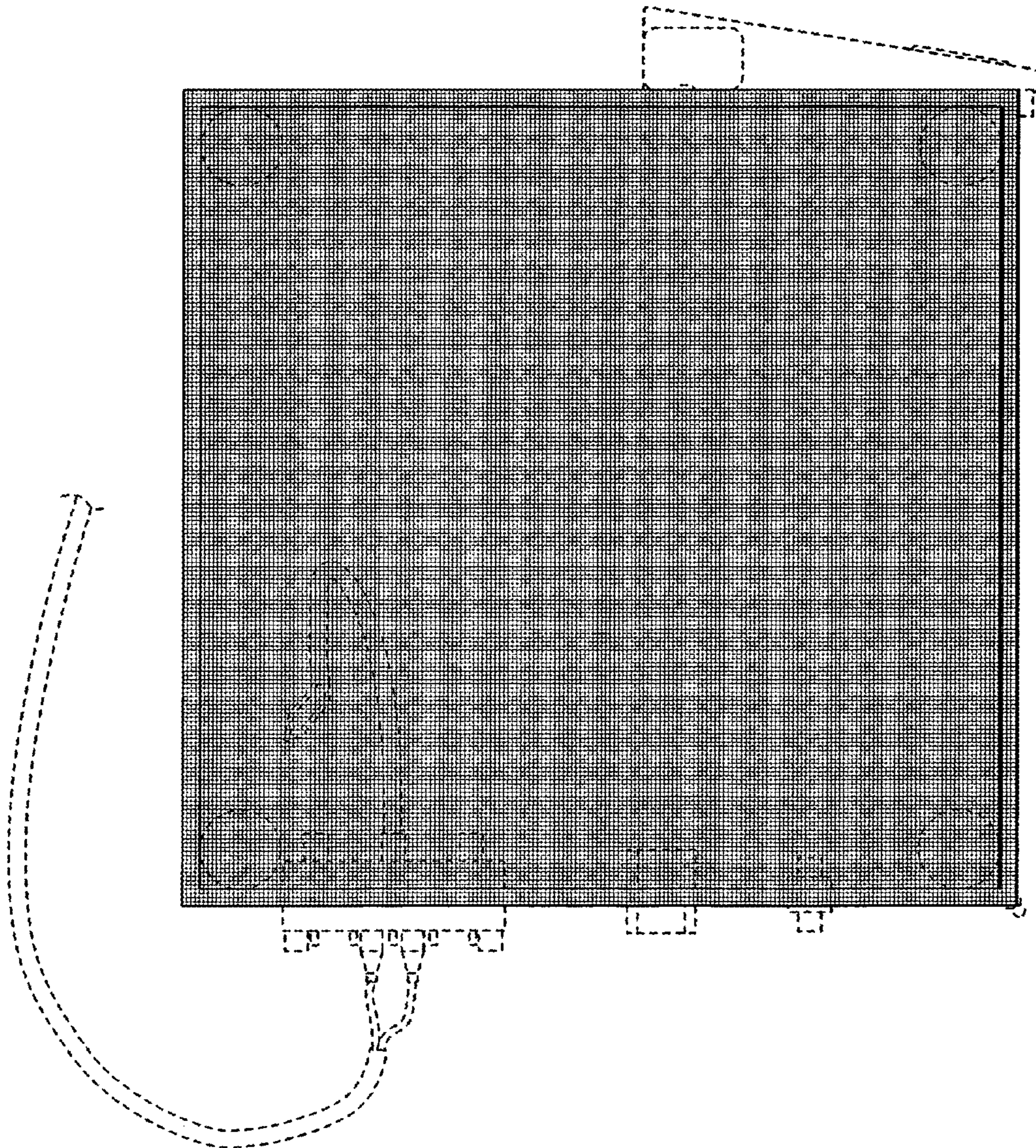


FIG. 6

