



US00D771508S

(12) **United States Design Patent** (10) **Patent No.:** **US D771,508 S**
Bittner (45) **Date of Patent:** **** *Nov. 15, 2016**

(54) **CURRENT SENSOR**

(74) *Attorney, Agent, or Firm* — Seed IP Law Group PLLC

(71) Applicant: **HARTING Electric GmbH & Co. KG, Espelkamp (DE)**

(57) **CLAIM**

The ornamental design for a current sensor, substantially as shown and described.

(72) Inventor: **Werner Bittner, Buchloe (DE)**

(73) Assignee: **HARTING Electric GmbH & Co. KG, Espelkamp (DE)**

DESCRIPTION

(*) Notice: This patent is subject to a terminal disclaimer.

(**) Term: **14 Years**

(21) Appl. No.: **29/504,338**

(22) Filed: **Oct. 3, 2014**

(30) **Foreign Application Priority Data**

Apr. 4, 2014 (WO) DM/083 356

(51) **LOC (10) Cl.** **10-04**

(52) **U.S. Cl.**
USPC **D10/75**

(58) **Field of Classification Search**

USPC D10/75
CPC G01R 15/202; G01R 15/205; G01R 15/207;
G01R 15/18; G01R 15/181; G01R 15/185;
G01R 15/186; G01R 15/188; G01R 15/20;
G01R 15/148; G01R 15/183; G01R 19/003;
G01R 19/0092; H02G 5/04

See application file for complete search history.

(56) **References Cited**

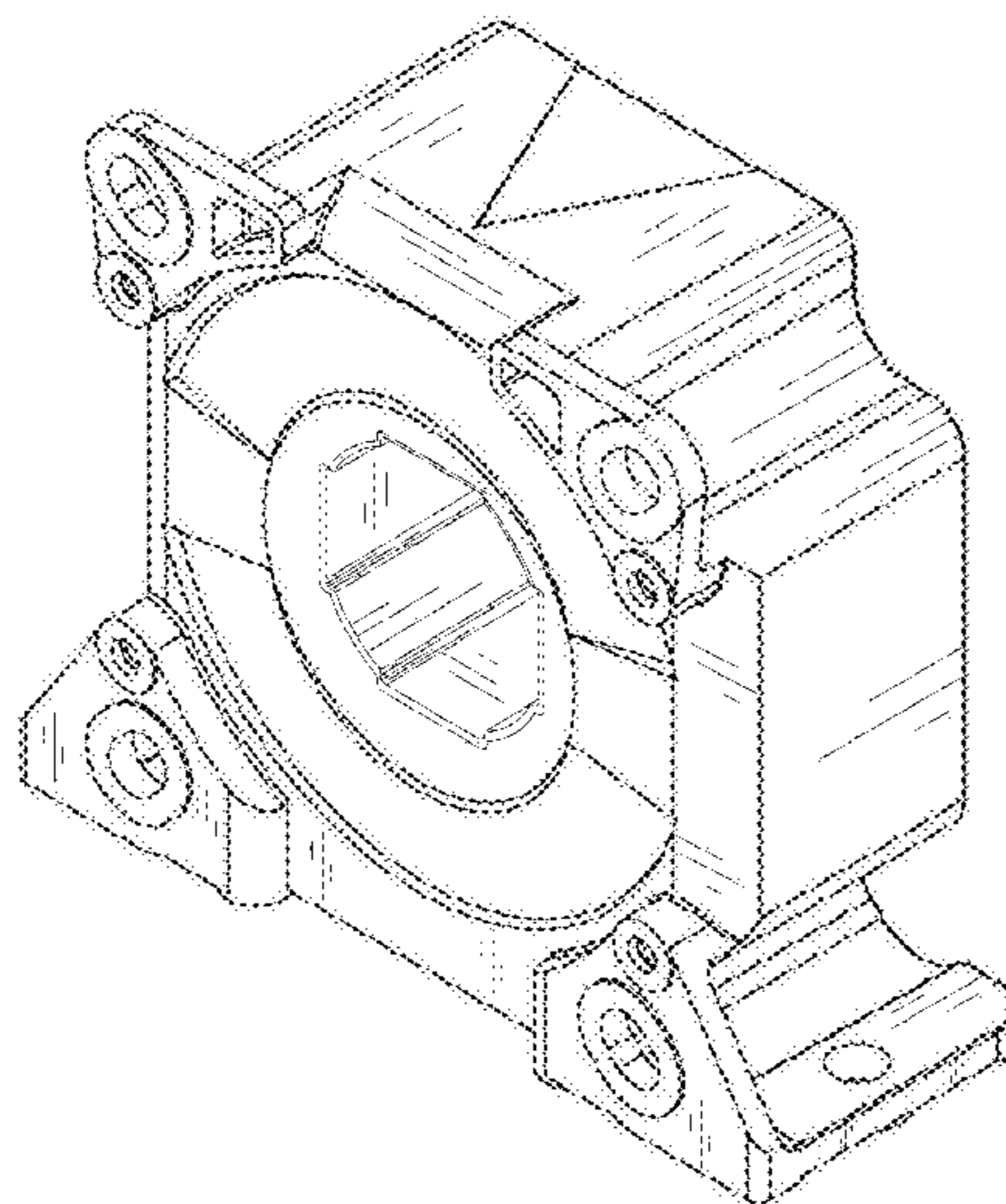
U.S. PATENT DOCUMENTS

5,436,557 A * 7/1995 Erickson 324/117 H
6,637,564 B1 * 10/2003 Vilas-Boas 191/22 R

(Continued)

Primary Examiner — Antoine D Davis

1 Claim, 13 Drawing Sheets



(56)

References Cited

U.S. PATENT DOCUMENTS

D494,078 S *	8/2004	Vuillermoz	D10/75	2007/0046280 A1 *	3/2007	Vilas Boas	324/126
D505,870 S *	6/2005	Vuillermoz	D10/75	2007/0164724 A1 *	7/2007	Noel	324/117 R
D511,112 S *	11/2005	Takada	D10/75	2011/0006754 A1 *	1/2011	Biggadike	324/126
D656,426 S *	3/2012	Marcoz	D10/79	2012/0032667 A1 *	2/2012	Sakamoto et al.	324/126
D728,398 S *	5/2015	Suzuki et al.	D10/75	2013/0154629 A1 *	6/2013	Gudel et al.	324/225
				2014/0132249 A1 *	5/2014	Loglisci	324/144
				2015/0008009 A1 *	1/2015	Vinnedge	174/79

* cited by examiner

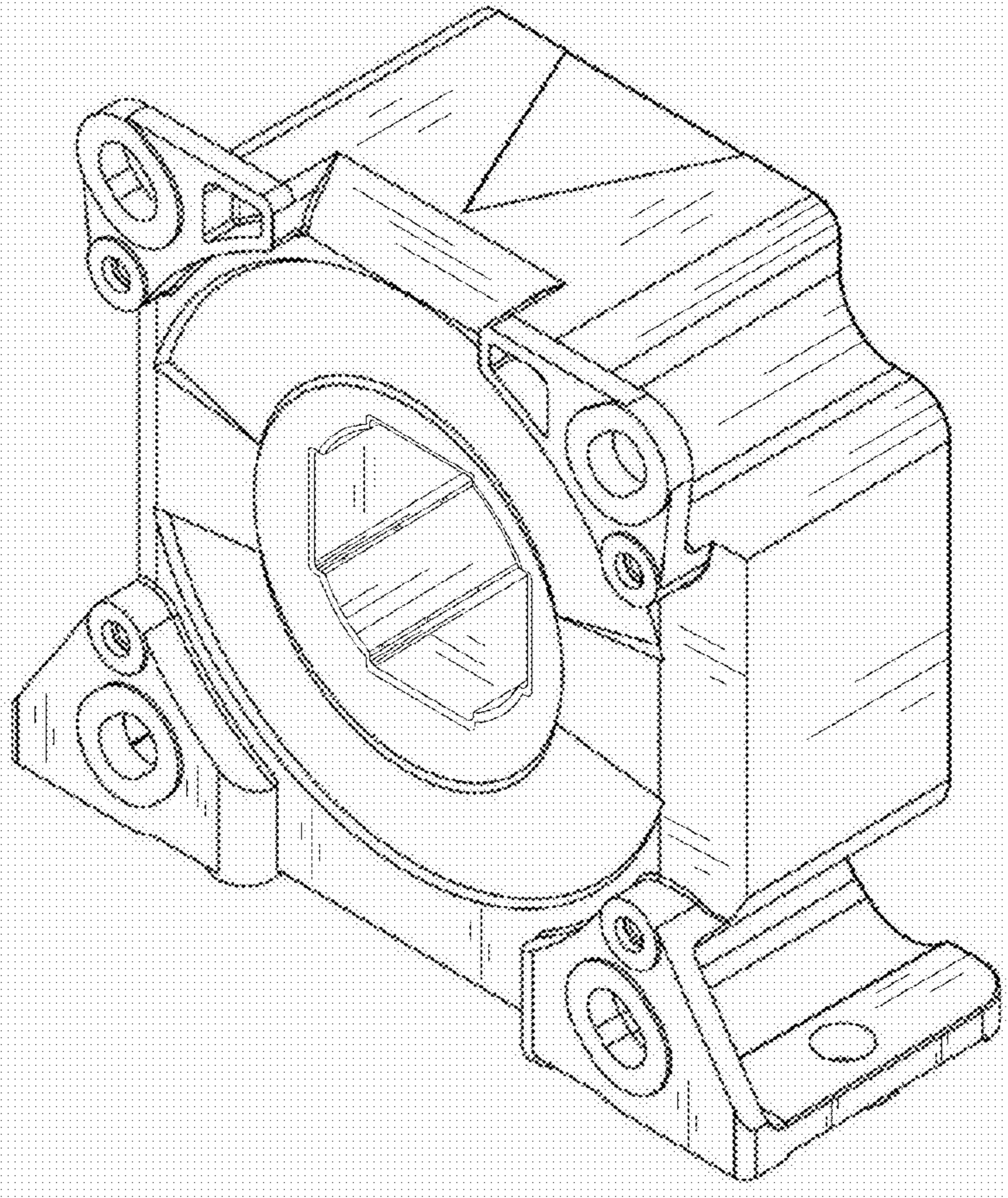


FIG. 1

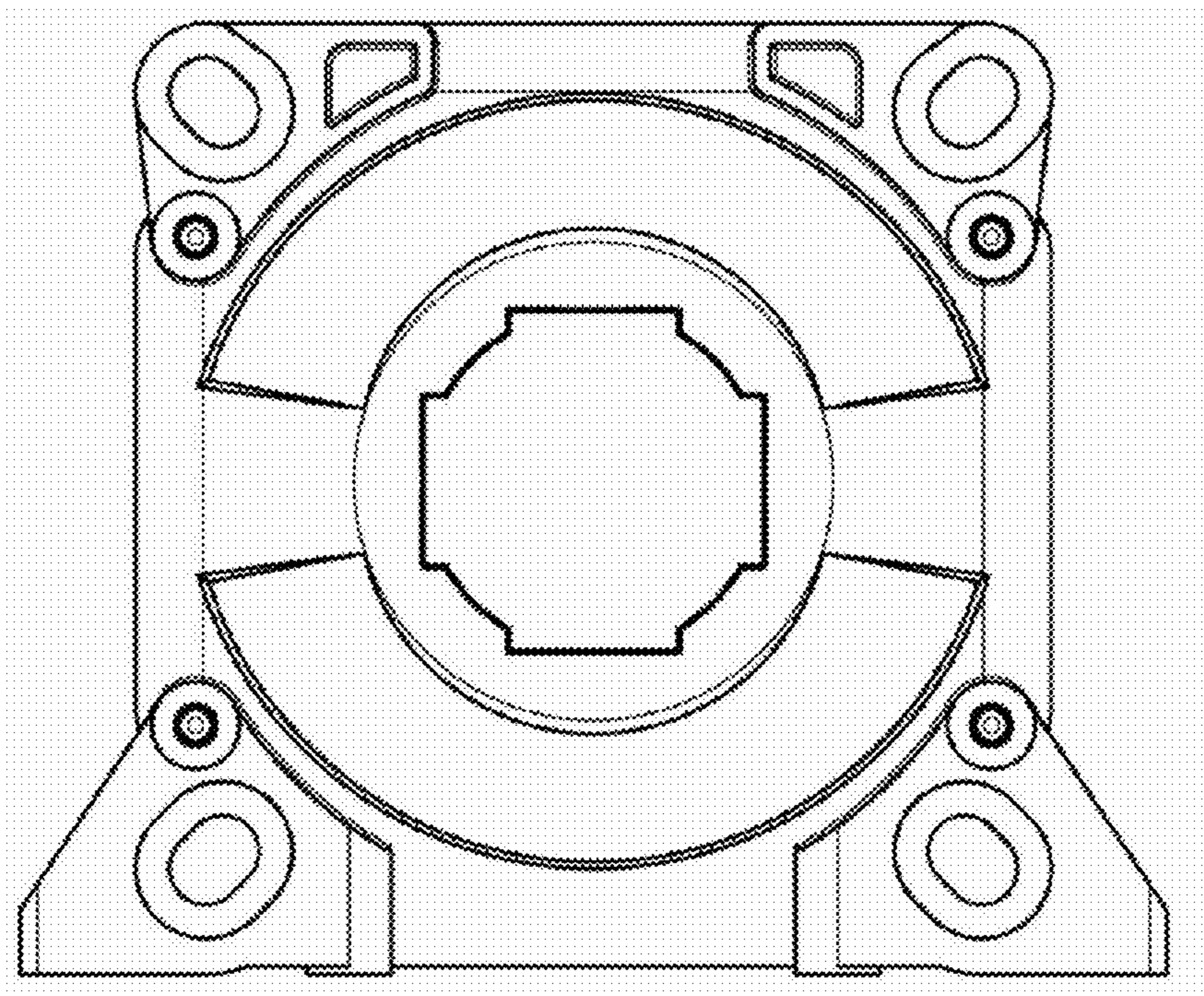


FIG. 2

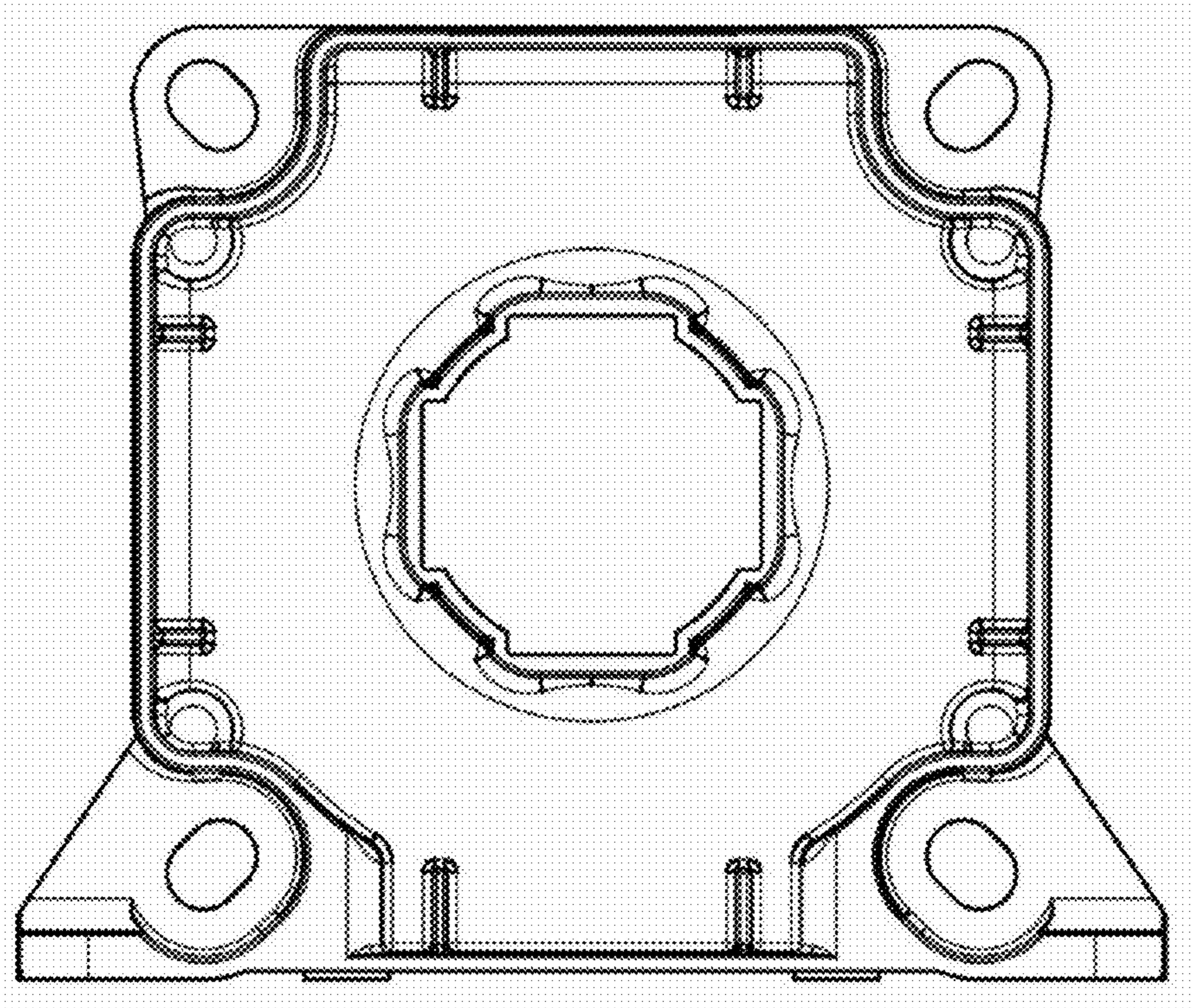


FIG. 3

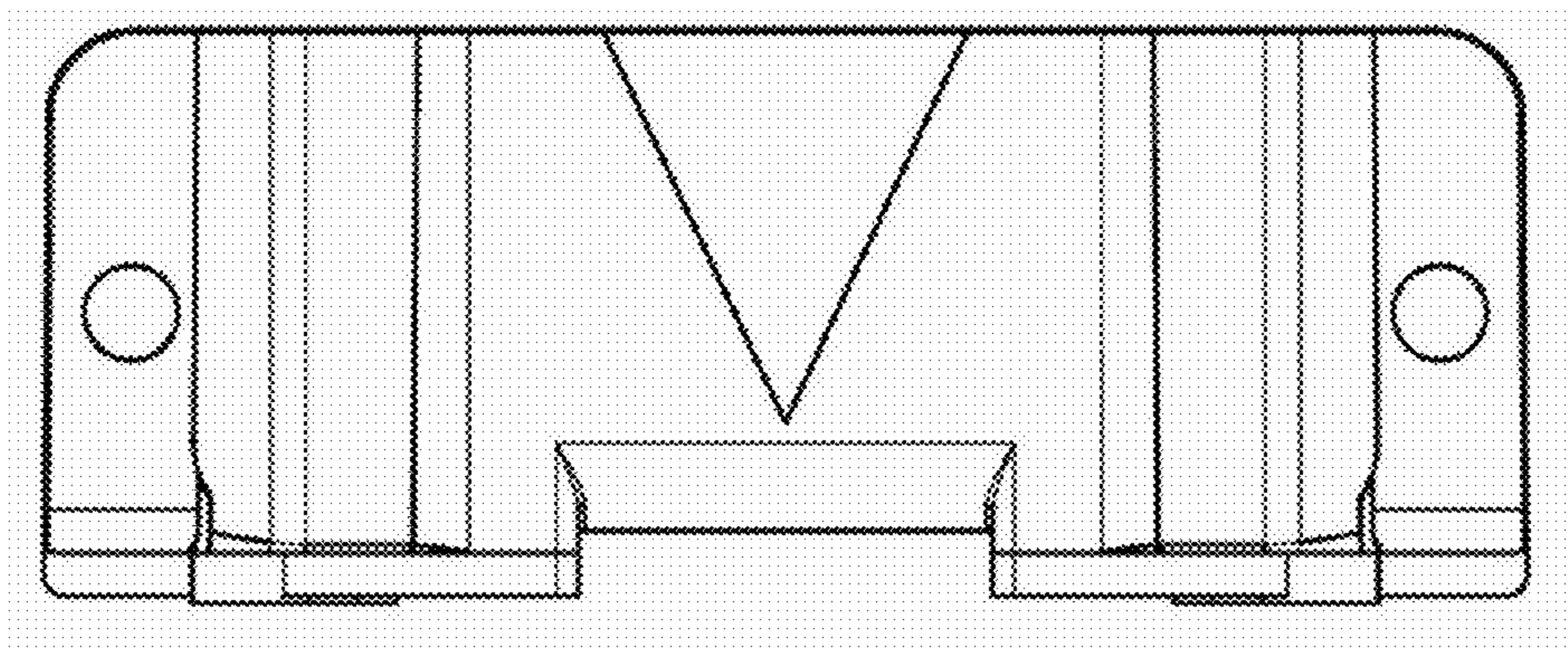


FIG. 4

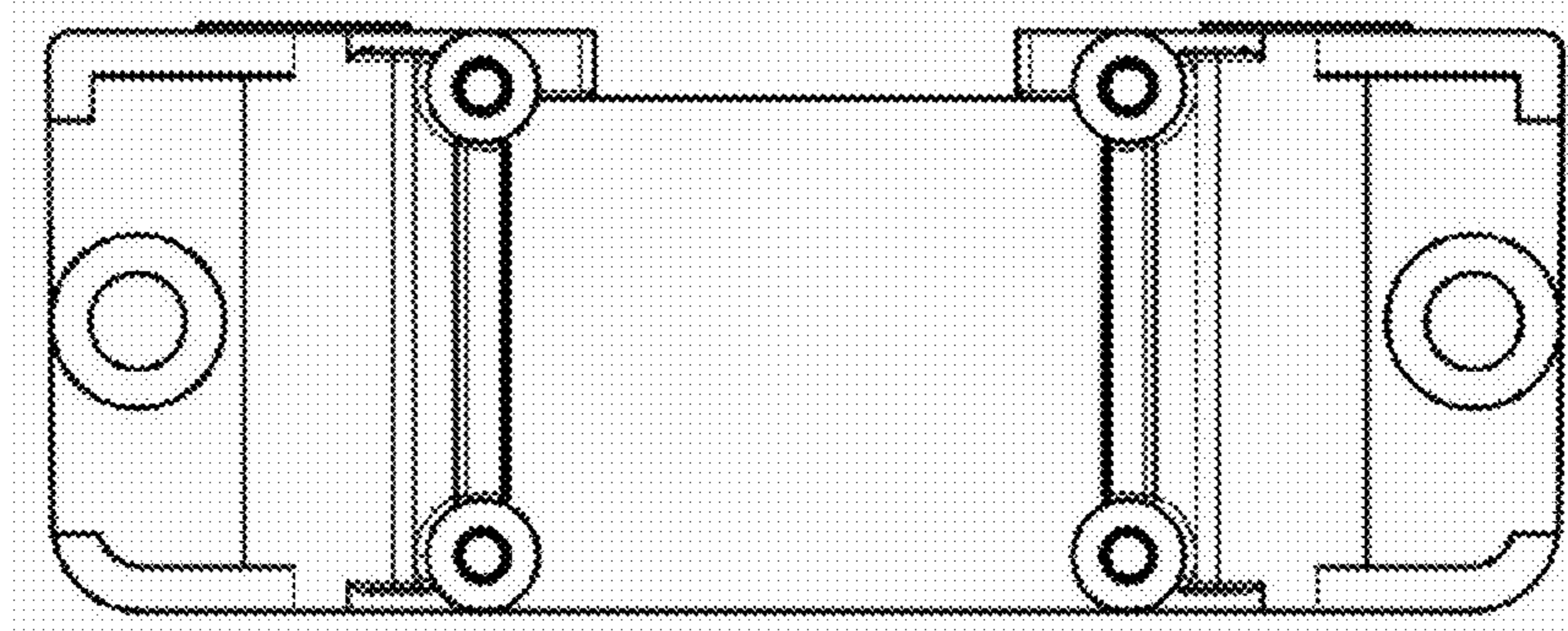


FIG. 5

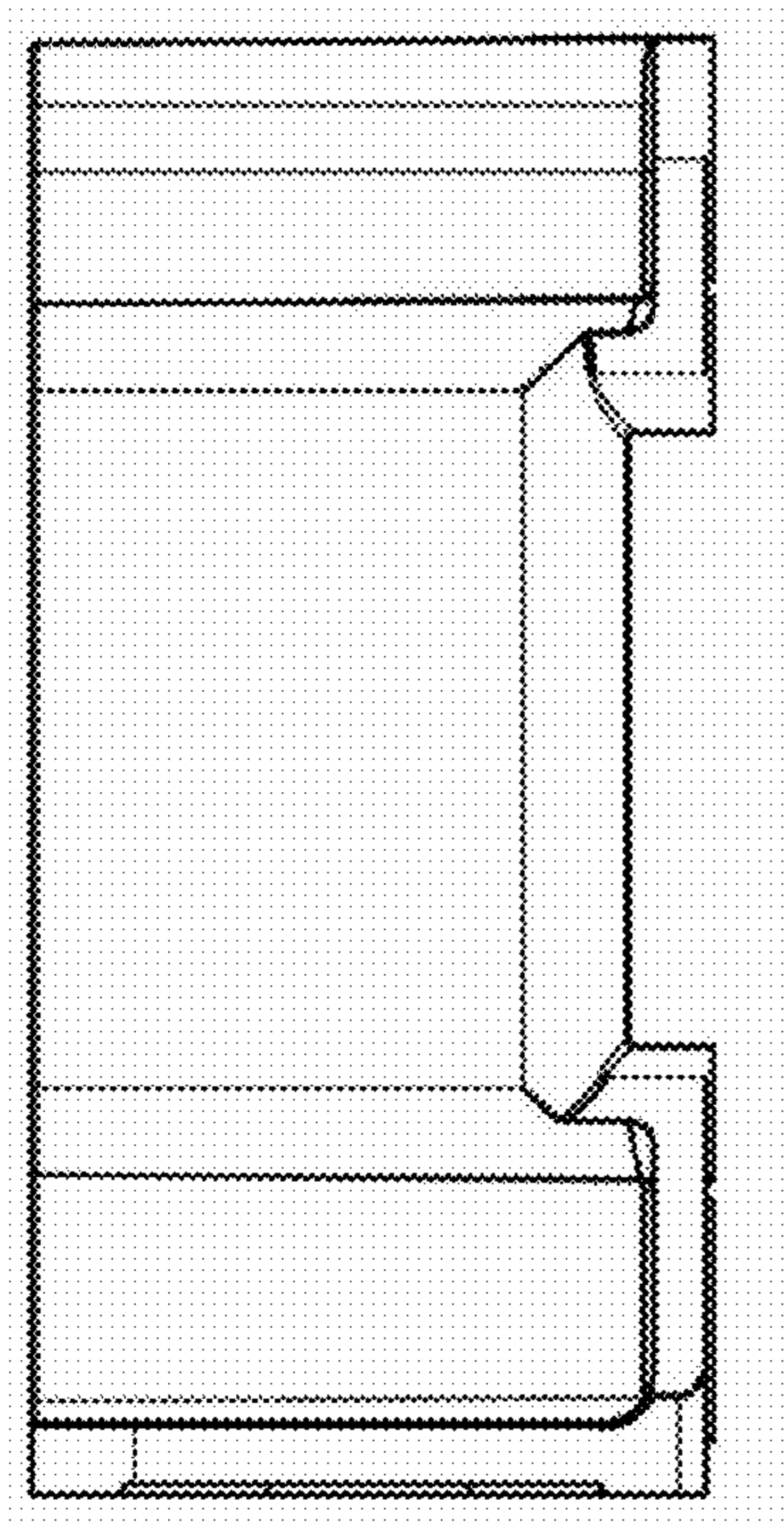


FIG. 6

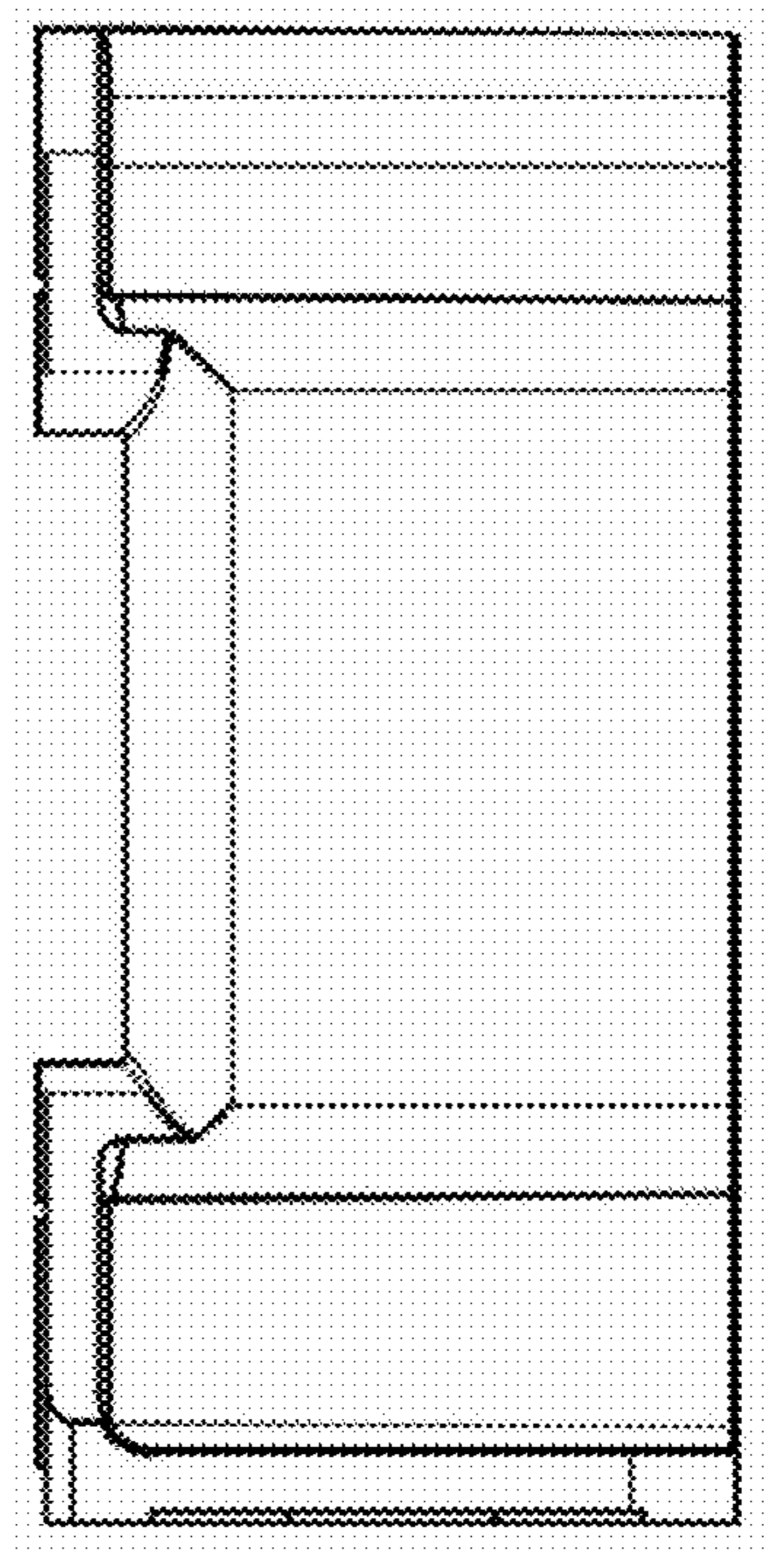


FIG. 7

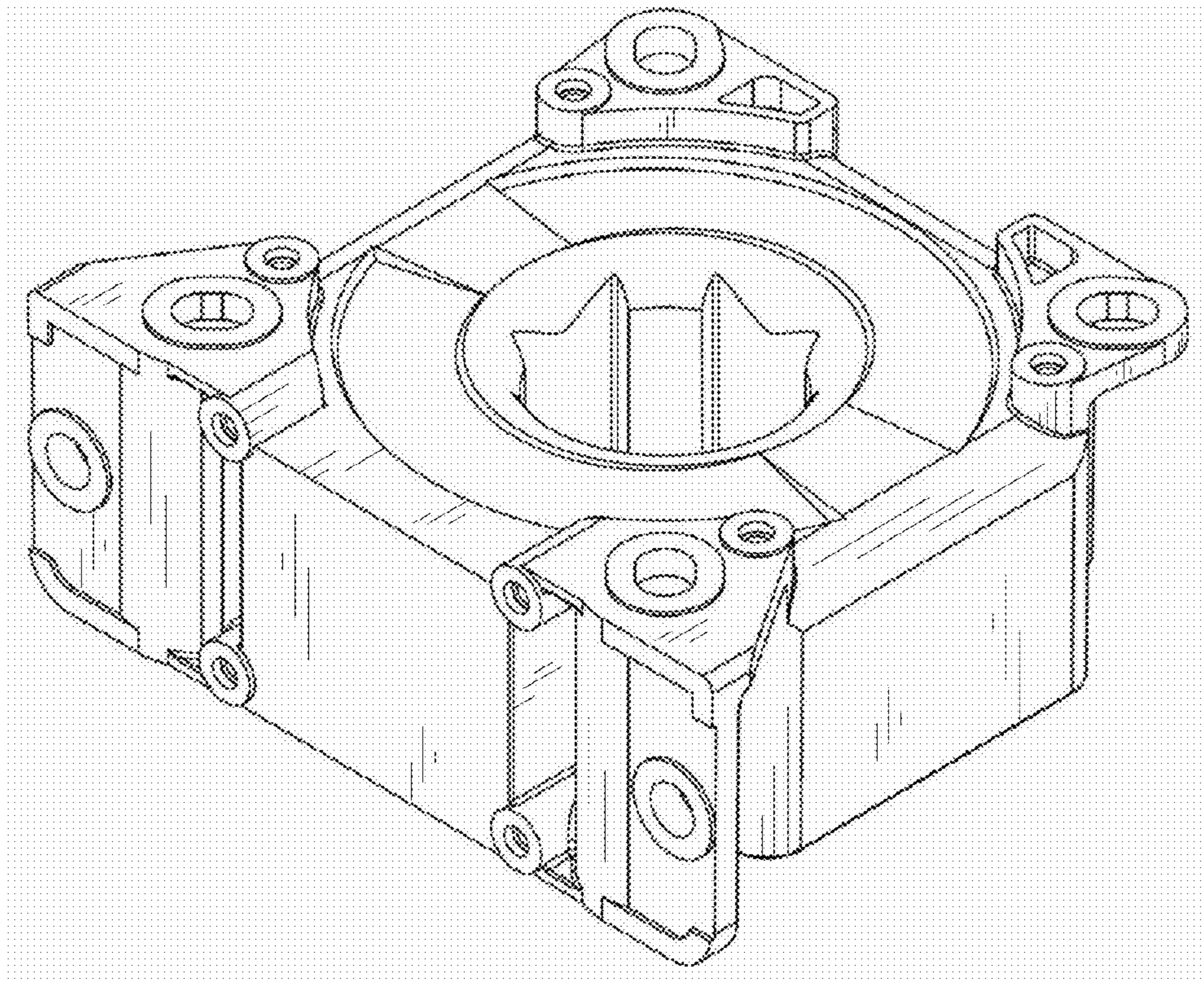


FIG. 8

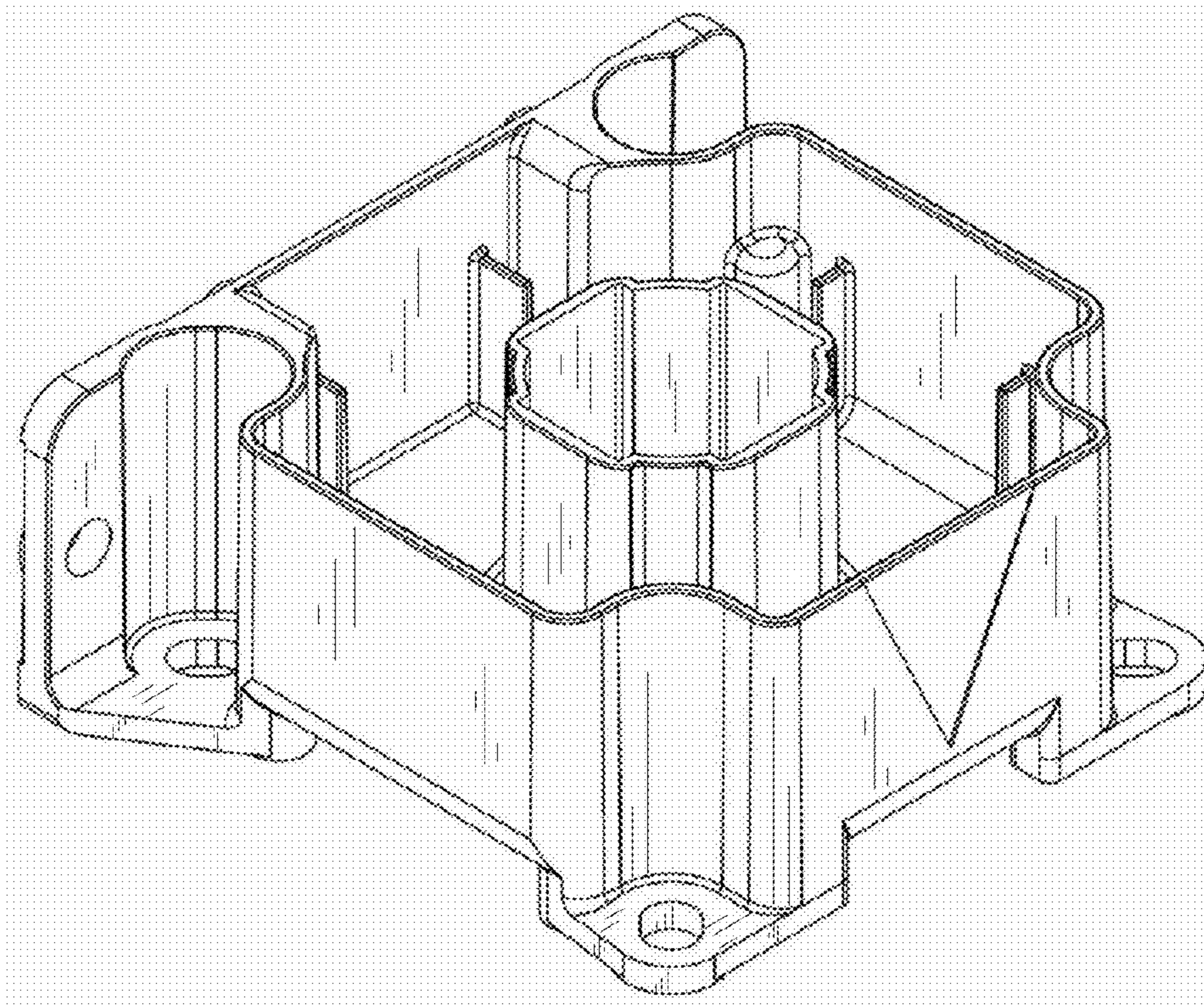


FIG. 9

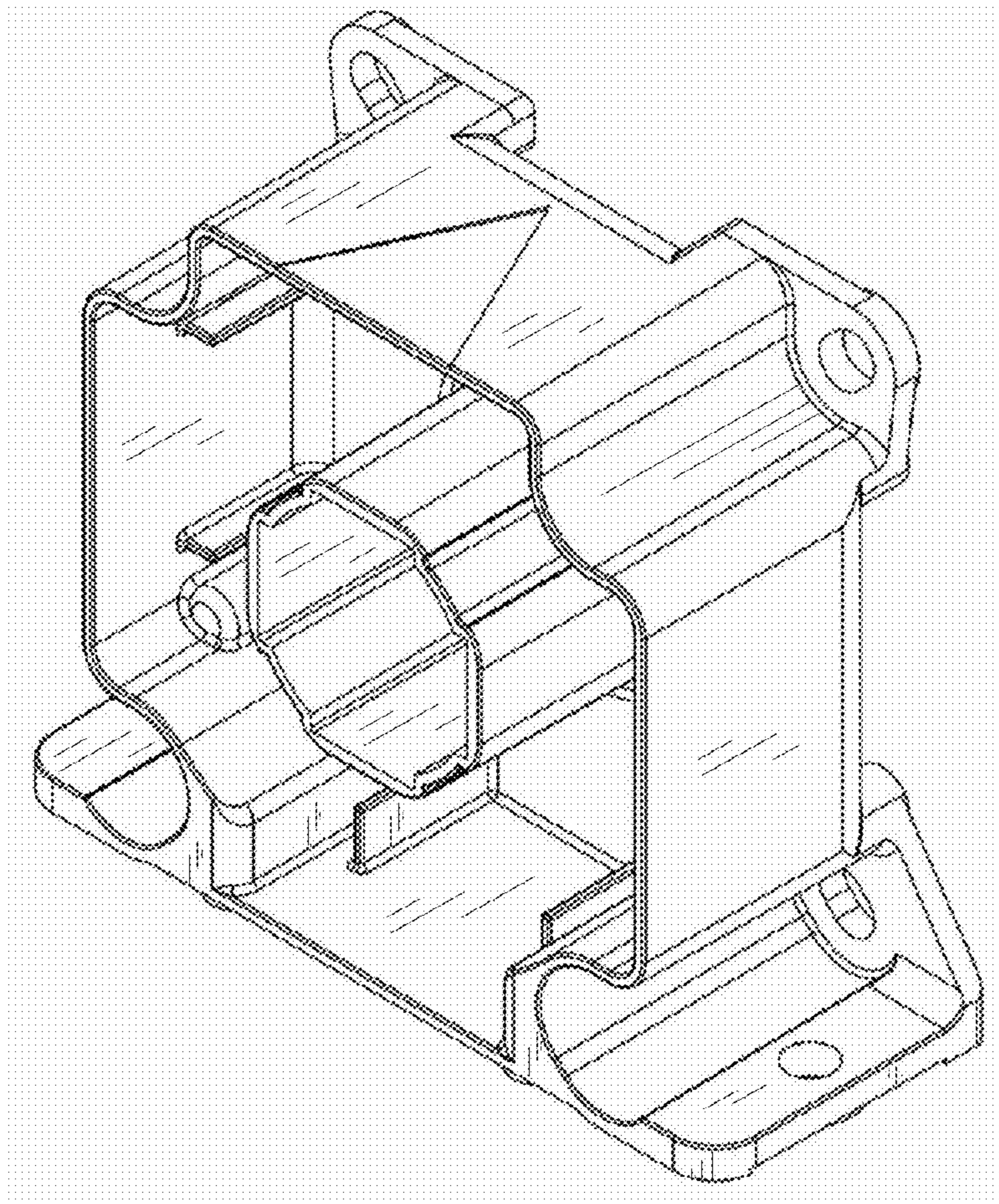


FIG. 10

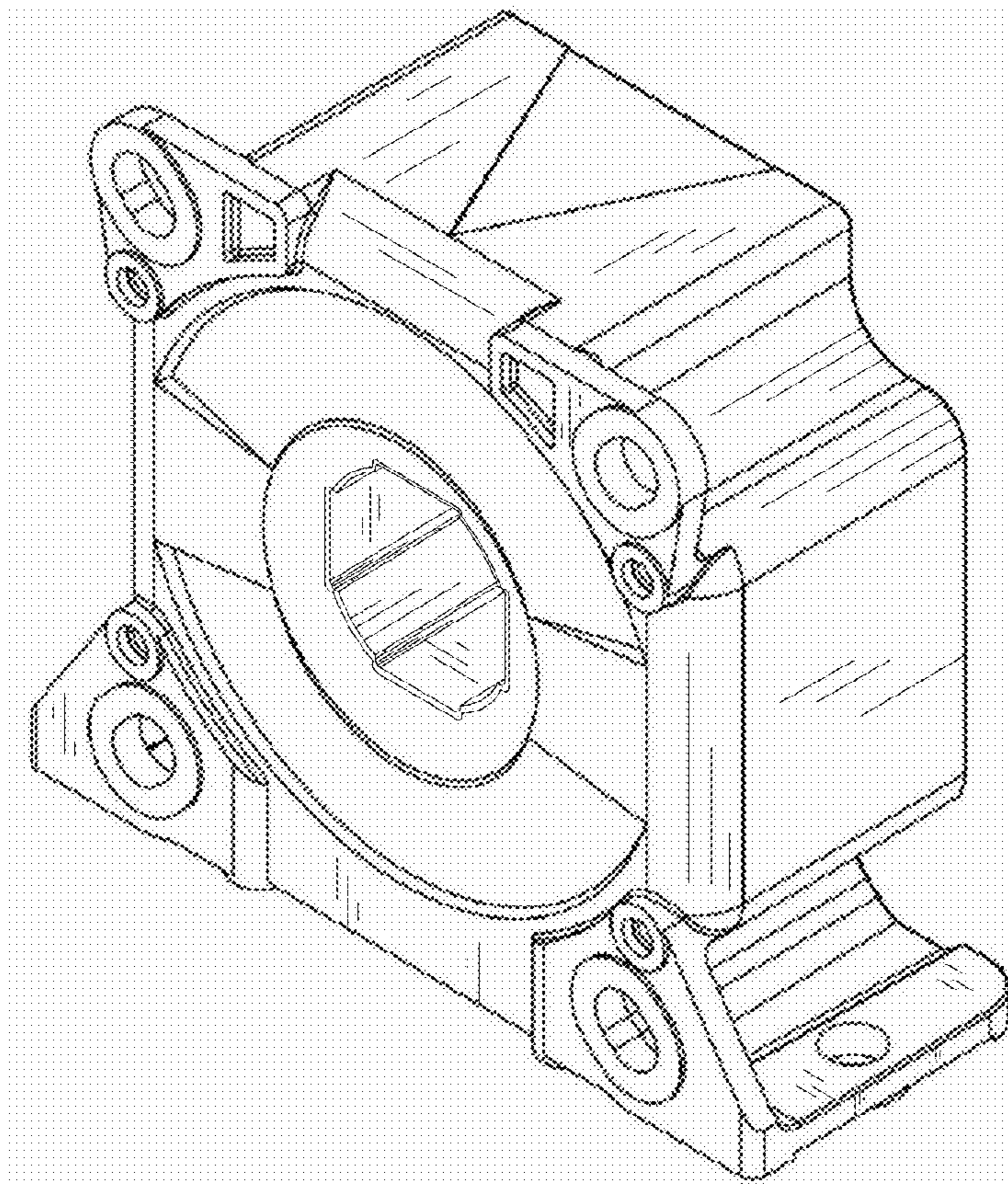


FIG. 11

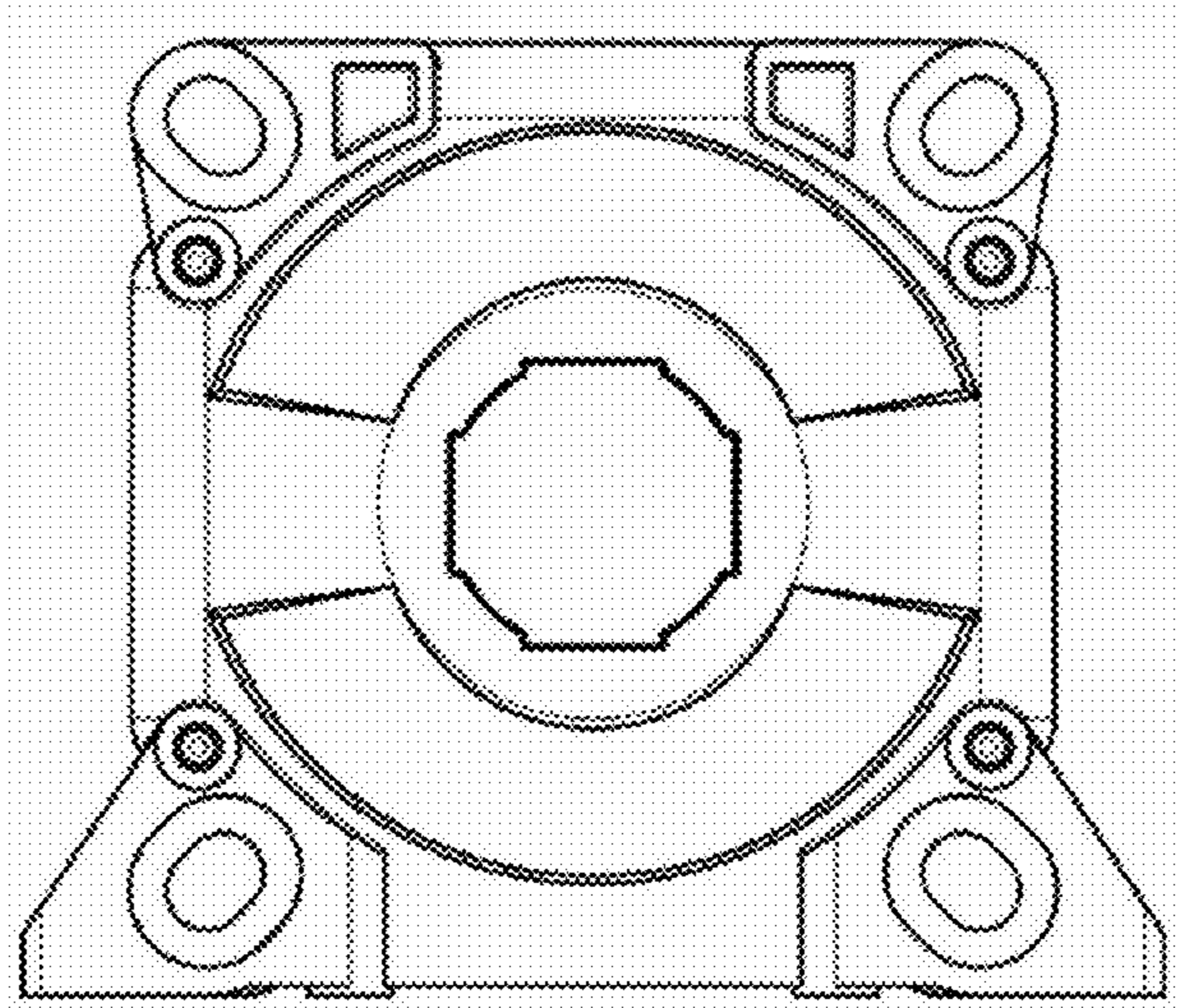


FIG. 12

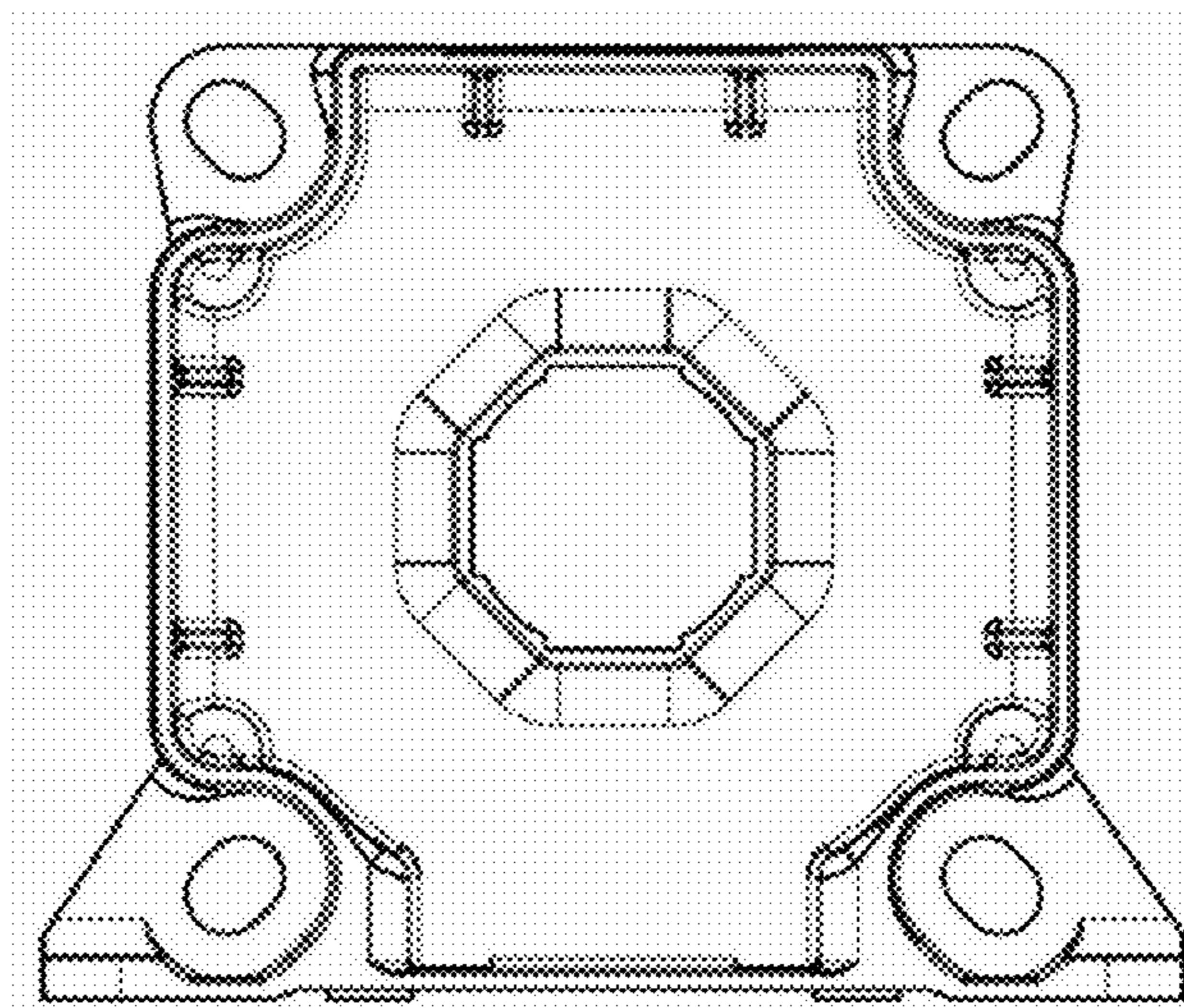


FIG. 13

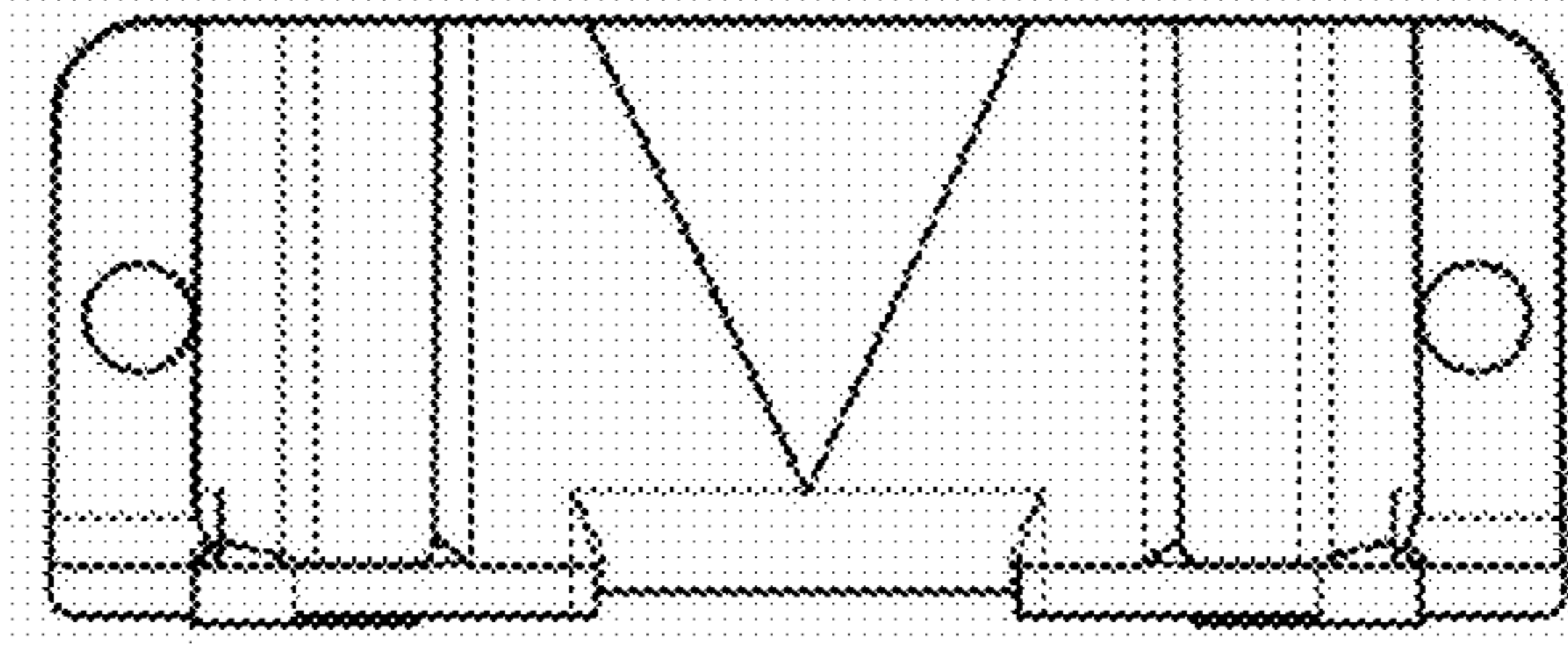


FIG. 14

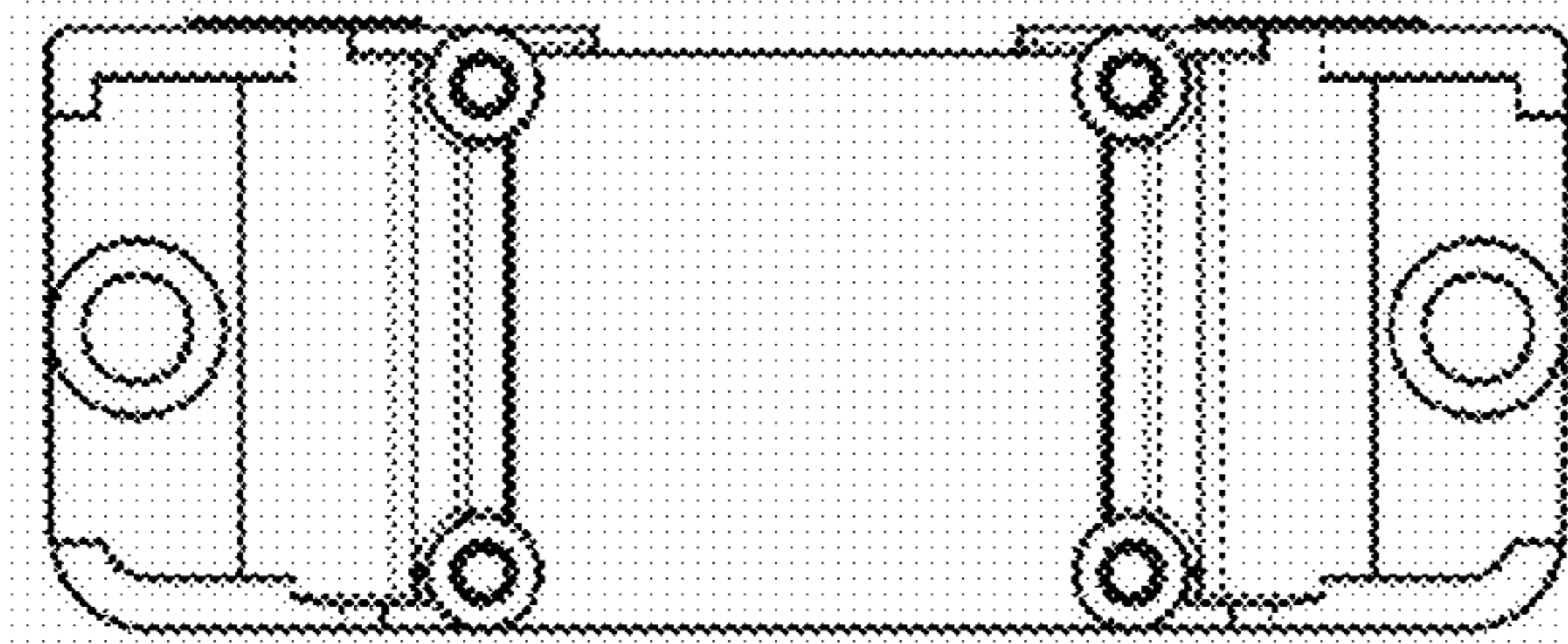


FIG. 15

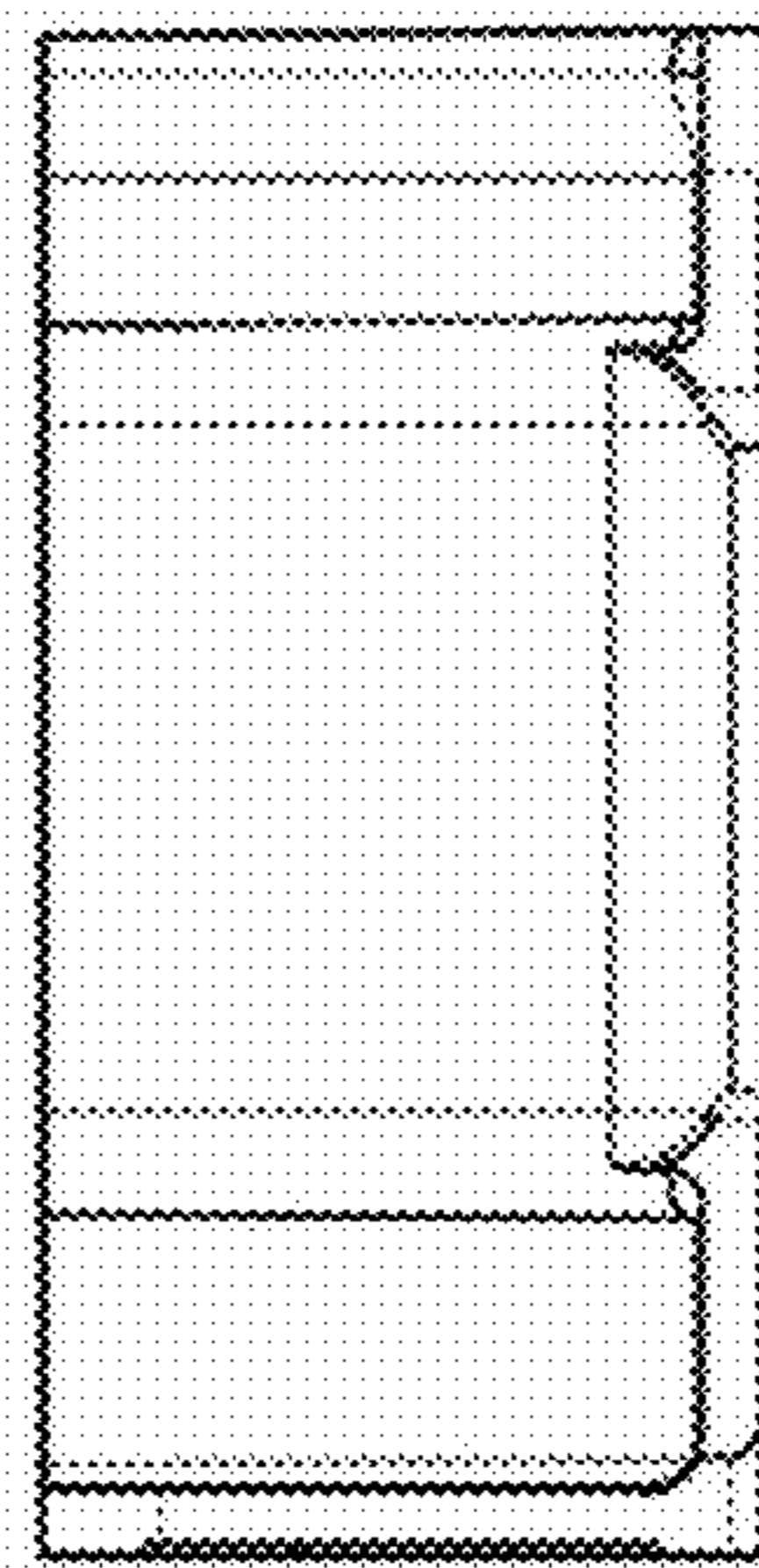


FIG. 16

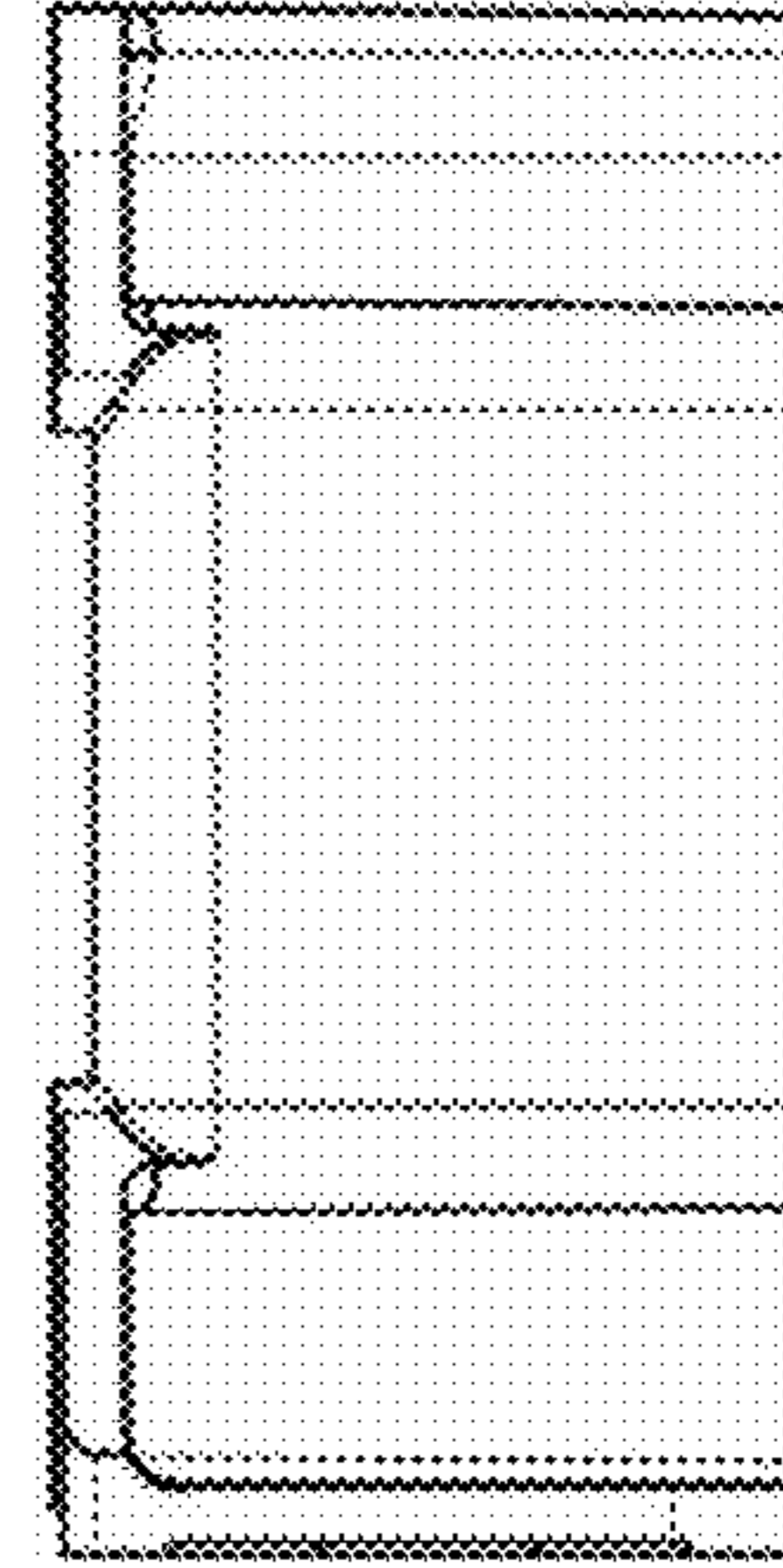


FIG. 17

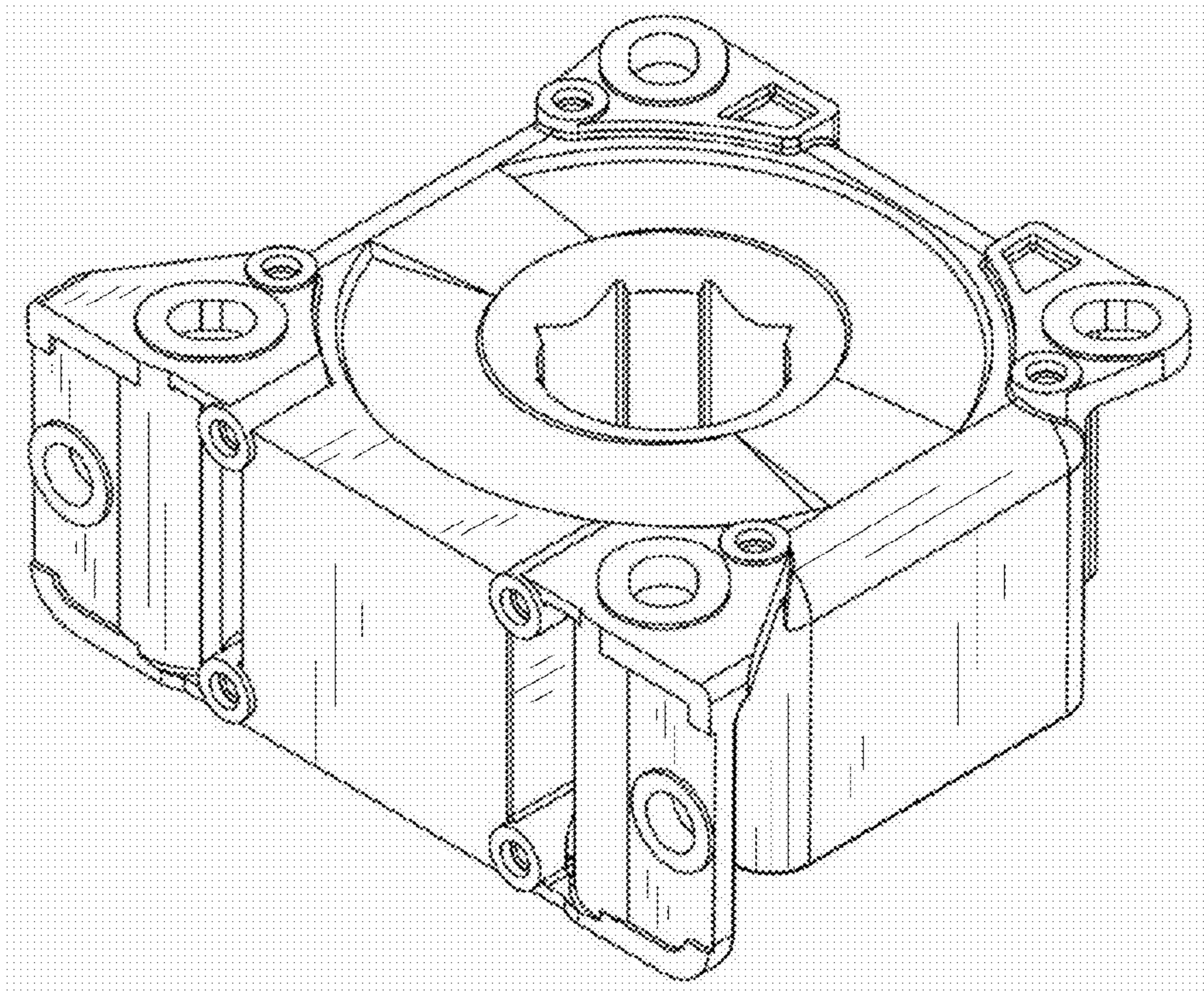


FIG. 18

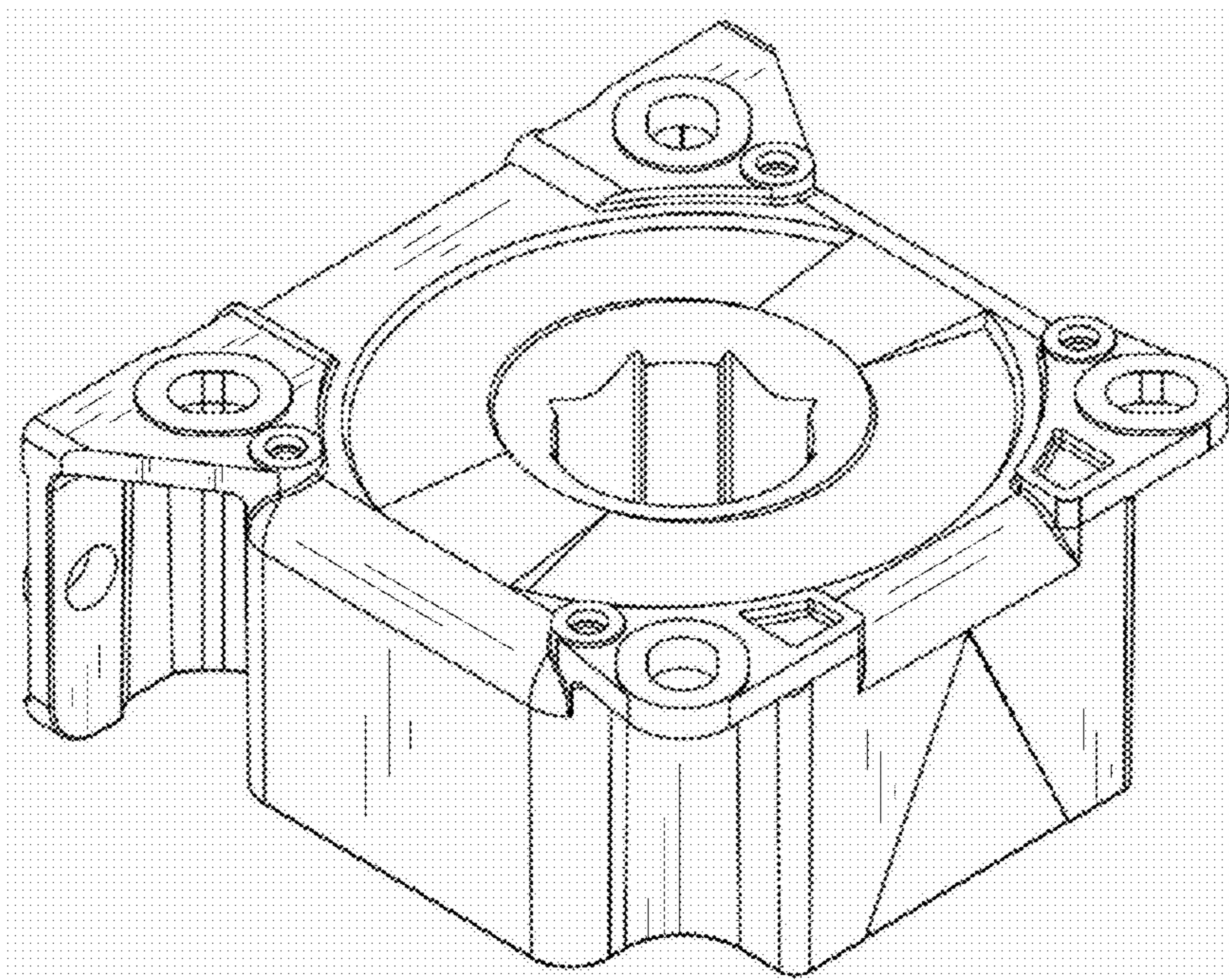


FIG. 19

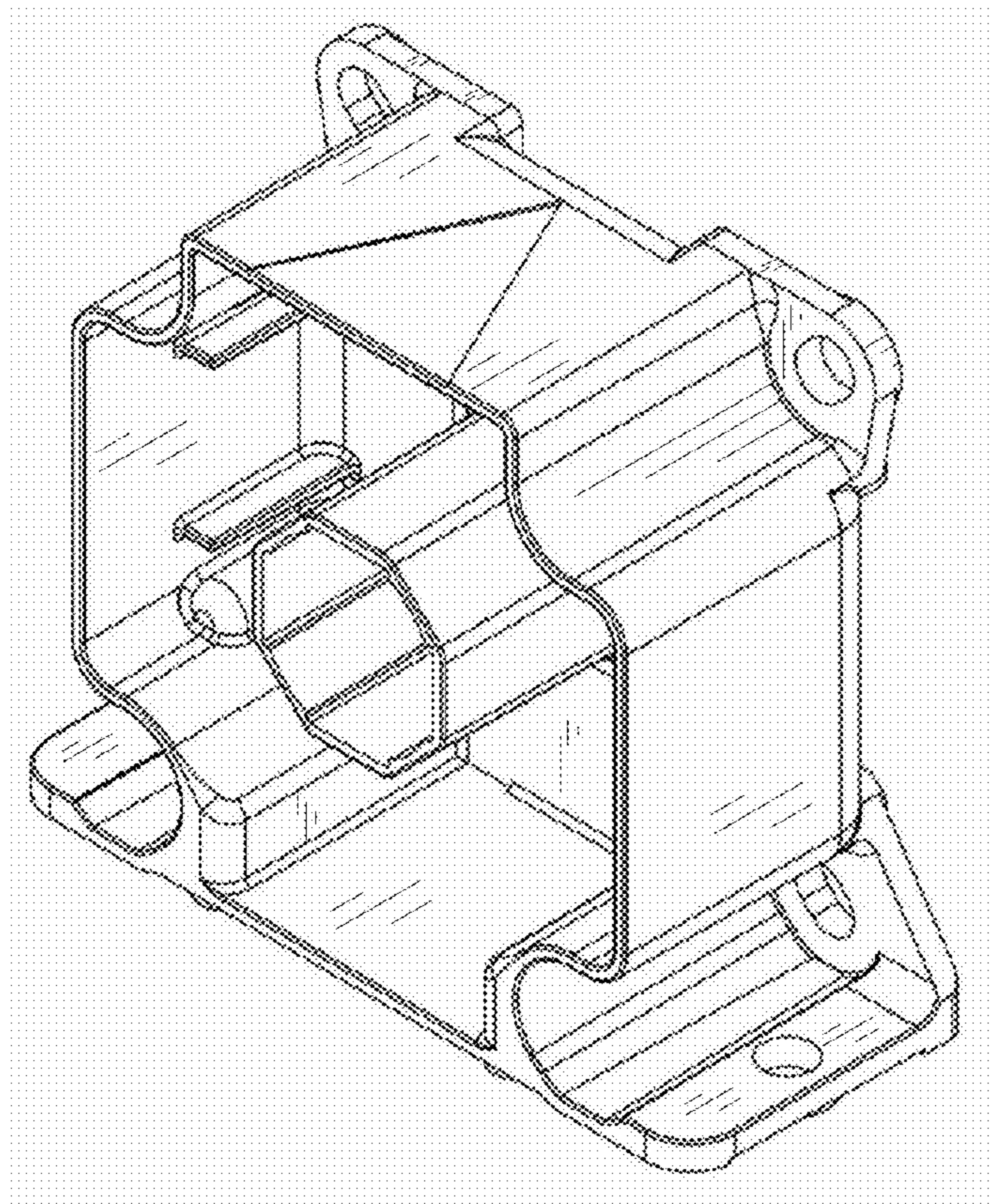


FIG. 20