



US00D771504S

(12) **United States Design Patent**
Lai et al.

(10) **Patent No.:** **US D771,504 S**

(45) **Date of Patent:** **** Nov. 15, 2016**

(54) **WATCH CASE**

(71) Applicant: **CATALYST LIFESTYLE LIMITED**,
North Point, Hong Kong (CN)

(72) Inventors: **June Lai**, Hong Kong (CN); **Joshua Wright**, Hong Kong (CN)

(73) Assignee: **CATALYST LIFESTYLE LIMITED**,
North Point, Hong Kong (CN)

(**) Term: **15 Years**

(21) Appl. No.: **29/534,995**

(22) Filed: **Aug. 3, 2015**

(51) **LOC (10) Cl.** **10-02**

(52) **U.S. Cl.**

USPC **D10/30**

(58) **Field of Classification Search**

USPC D10/30-39, 1-29, 122-132; 368/10,
368/15-18, 21, 28, 37, 80, 223, 228, 232,
368/276, 277, 281, 282, 285, 294, 295, 308,
368/319

CPC G04B 17/00; G04B 17/02; G04B 17/005;
G04B 17/285; G04B 37/00; G04B 37/0008;
G04B 37/0058; G04B 45/00; G04B 45/038;
G04B 45/0069; G04B 45/0076; G04B 45/02;
G04B 29/00

See application file for complete search history.

(56) **References Cited**

U.S. PATENT DOCUMENTS

1,195,299 A 8/1916 Watcher
1,205,217 A 11/1916 Kaufman

(Continued)

FOREIGN PATENT DOCUMENTS

CH 218928 4/1942
CN 203119956 U 8/2013

(Continued)

OTHER PUBLICATIONS

Watch Case | Catalyst Case for Apple Watch | Catalyst, posted at catalystlifestyle.com, posting date N/A, © 2016 catalystlifestyle.com, [online], [site visited Jun. 24, 2016], Available from Internet http://www.catalystlifestyle.com/collections/catalyst-case-for-apple-watch/products/catalyst-apple-watch-42mm.*

Primary Examiner — Susan Bennett Hattan

Assistant Examiner — Jennifer Wright

(74) *Attorney, Agent, or Firm* — Dinsmore & Shohl LLP

(57) **CLAIM**

The ornamental design for a watch case, as shown and described.

DESCRIPTION

FIG. 1 is a perspective view including a front, top and one side of the watch case;

FIG. 2 is a perspective view of the rear, a top, and an opposite side of the watch case of FIG. 1;

FIG. 3 is a perspective view of a bottom and one side of the watch case of FIG. 1;

FIG. 4 is a planar view of the top of the watch case of FIG. 1;

FIG. 5 is a planar view of the rear of the watch case of FIG. 1;

FIG. 6 is a planar view of the opposite side of the watch case of FIG. 1;

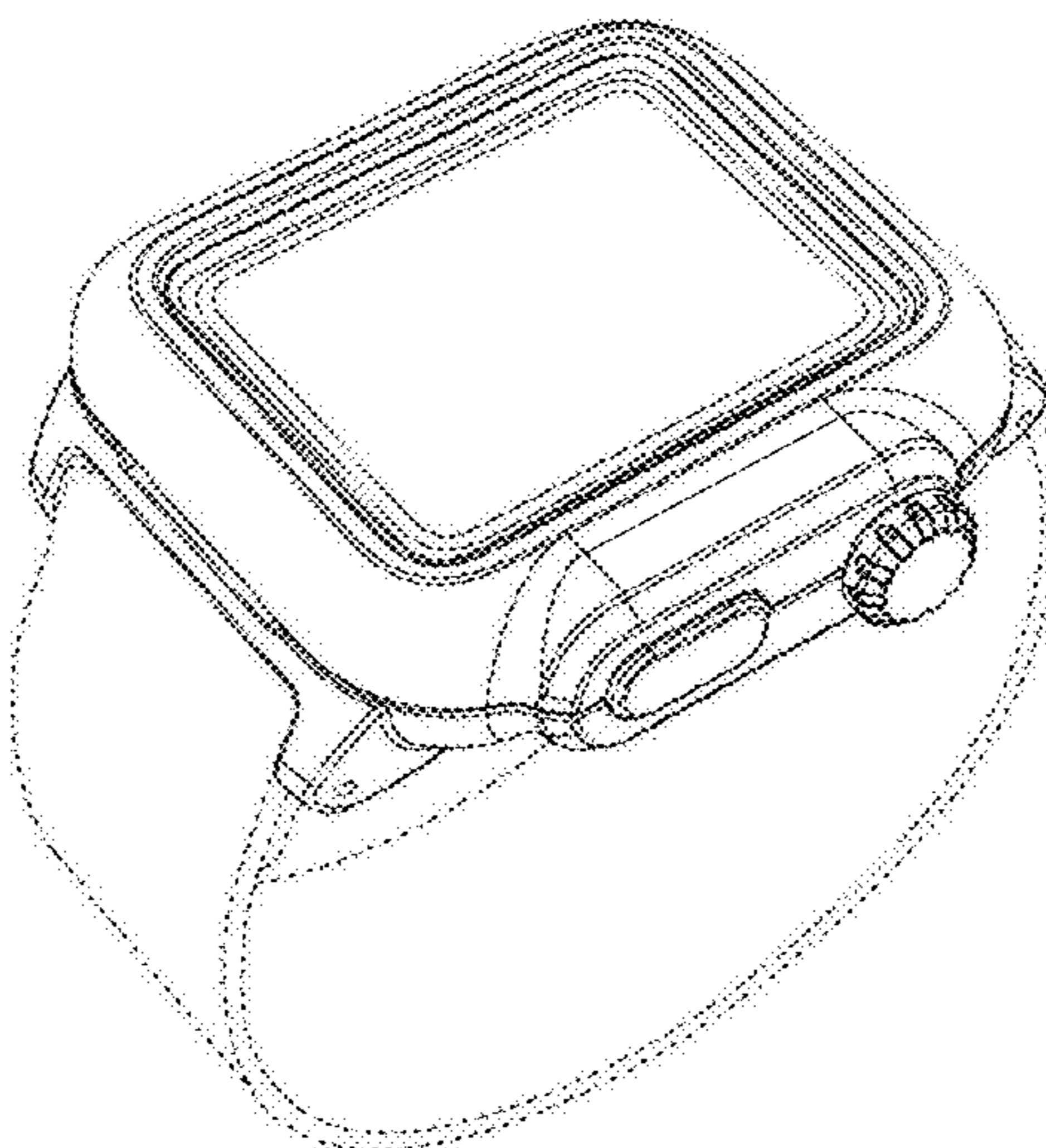
FIG. 7 is a planar view of the front of the watch case of FIG. 1;

FIG. 8 is a planar view of one side of the watch case of FIG. 1; and,

FIG. 9 is a planar view of the bottom of the watch case of FIG. 1.

The broken lines show a strap for displaying the environment in which the design is associated and form no part of the claimed design.

1 Claim, 9 Drawing Sheets



(56)

References Cited

U.S. PATENT DOCUMENTS

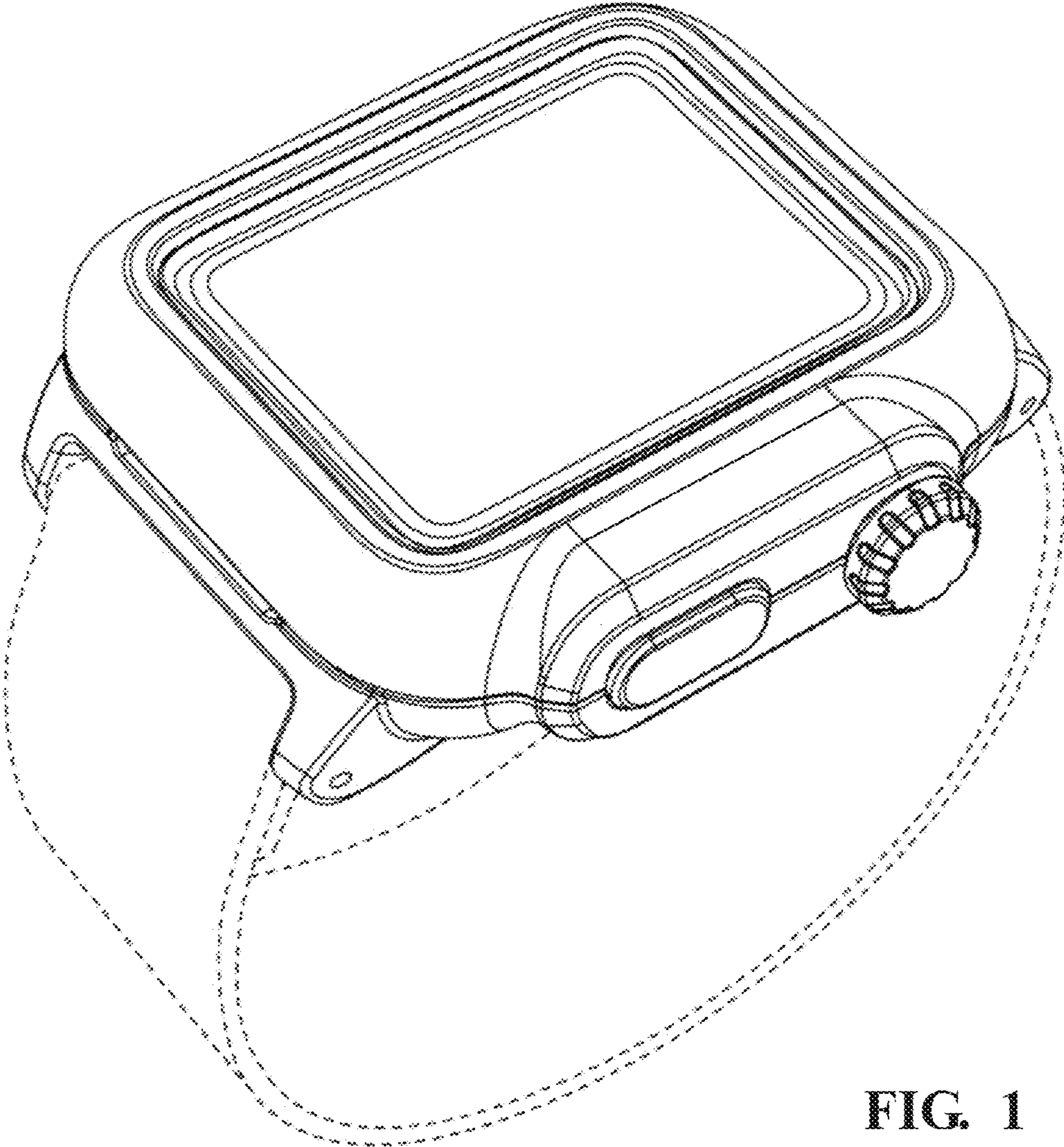
1,986,328 A 1/1935 Dreyfus
 2,136,625 A 11/1938 Lasko
 2,392,787 A 1/1946 Vermot
 D157,606 S 3/1950 Lachman
 3,789,601 A * 2/1974 Bergey G04G 5/04
 368/239
 3,800,525 A * 4/1974 Bergey G04B 27/00
 368/239
 3,992,874 A * 11/1976 Collins G04G 9/12
 362/23.01
 4,236,239 A 11/1980 Imgruth et al.
 4,390,288 A 6/1983 Arnoux
 D278,685 S * 5/1985 Suzuki D10/38
 D279,081 S * 6/1985 Suzuki D10/38
 D283,014 S * 3/1986 Suzuki D10/38
 D290,234 S * 6/1987 Komatsu D10/30
 D293,417 S * 12/1987 Sakamaki D10/30
 D341,092 S 11/1993 Wild
 D351,799 S 10/1994 Bulgari
 5,477,508 A * 12/1995 Will G04G 21/00
 368/189
 D386,094 S 11/1997 Ventrella
 D465,163 S * 11/2002 Bodino D10/32
 D507,975 S 8/2005 Dreyfuss
 D517,430 S * 3/2006 TerMeer D10/15
 D528,440 S * 9/2006 Lovegrove D10/38
 D528,441 S * 9/2006 Burton D10/38
 D528,928 S * 9/2006 Burton D10/38
 D539,671 S 4/2007 Lassigne
 D564,367 S 3/2008 Molyneux
 D603,827 S * 11/2009 Tompkin D14/138 AD
 D638,312 S 5/2011 Jacobs
 D638,324 S 5/2011 Tang
 7,946,758 B2 5/2011 Mooring
 D645,031 S 9/2011 Richardson et al.
 D657,262 S 4/2012 Pulli
 D666,924 S 9/2012 Ahlstrom
 D672,255 S 12/2012 Zanella et al.
 D672,265 S 12/2012 Pulli
 D673,477 S 1/2013 Szellos

8,345,412 B2 1/2013 Maravilla et al.
 D683,338 S 5/2013 Wilson et al.
 D688,582 S 8/2013 Wilson
 D688,967 S 9/2013 Wilson
 D693,251 S * 11/2013 Anderssen D10/65
 D709,057 S 7/2014 Wilson et al.
 8,787,009 B2 7/2014 Wilson et al.
 D716,786 S 11/2014 Wilson et al.
 D717,678 S * 11/2014 Anderssen D10/70
 8,967,437 B2 3/2015 Wilson
 D727,194 S 4/2015 Wilson
 9,007,758 B2 4/2015 Wilson et al.
 D729,218 S 5/2015 Wilson et al.
 D737,159 S * 8/2015 Akana D10/32
 9,101,184 B2 8/2015 Wilson
 D739,768 S 9/2015 Hanshew et al.
 D741,726 S * 10/2015 Akana D10/30
 D742,254 S 11/2015 Greusel et al.
 D742,761 S 11/2015 Grazian et al.
 D744,356 S * 12/2015 Akana D10/70
 D745,421 S * 12/2015 Akana D10/32
 9,223,346 B2 12/2015 Wilson
 D746,707 S * 1/2016 Akana D10/39
 D751,067 S 3/2016 Nousiainen
 D751,550 S * 3/2016 Solomon D10/38
 D751,558 S 3/2016 Lee
 D752,044 S 3/2016 Akana et al.
 D752,579 S 3/2016 Lee
 D752,996 S 4/2016 Ebersold
 D756,357 S 5/2016 Akana et al.
 D759,725 S * 6/2016 Akana D14/496
 2012/0073093 A1 3/2012 Szellos
 2013/0001263 A1 1/2013 Kai
 2014/0356495 A1 * 12/2014 Teuscher F24C 7/082
 426/231

FOREIGN PATENT DOCUMENTS

CN 204190798 U 3/2015
 CN 204305125 U 4/2015
 DE 822169 11/1951

* cited by examiner



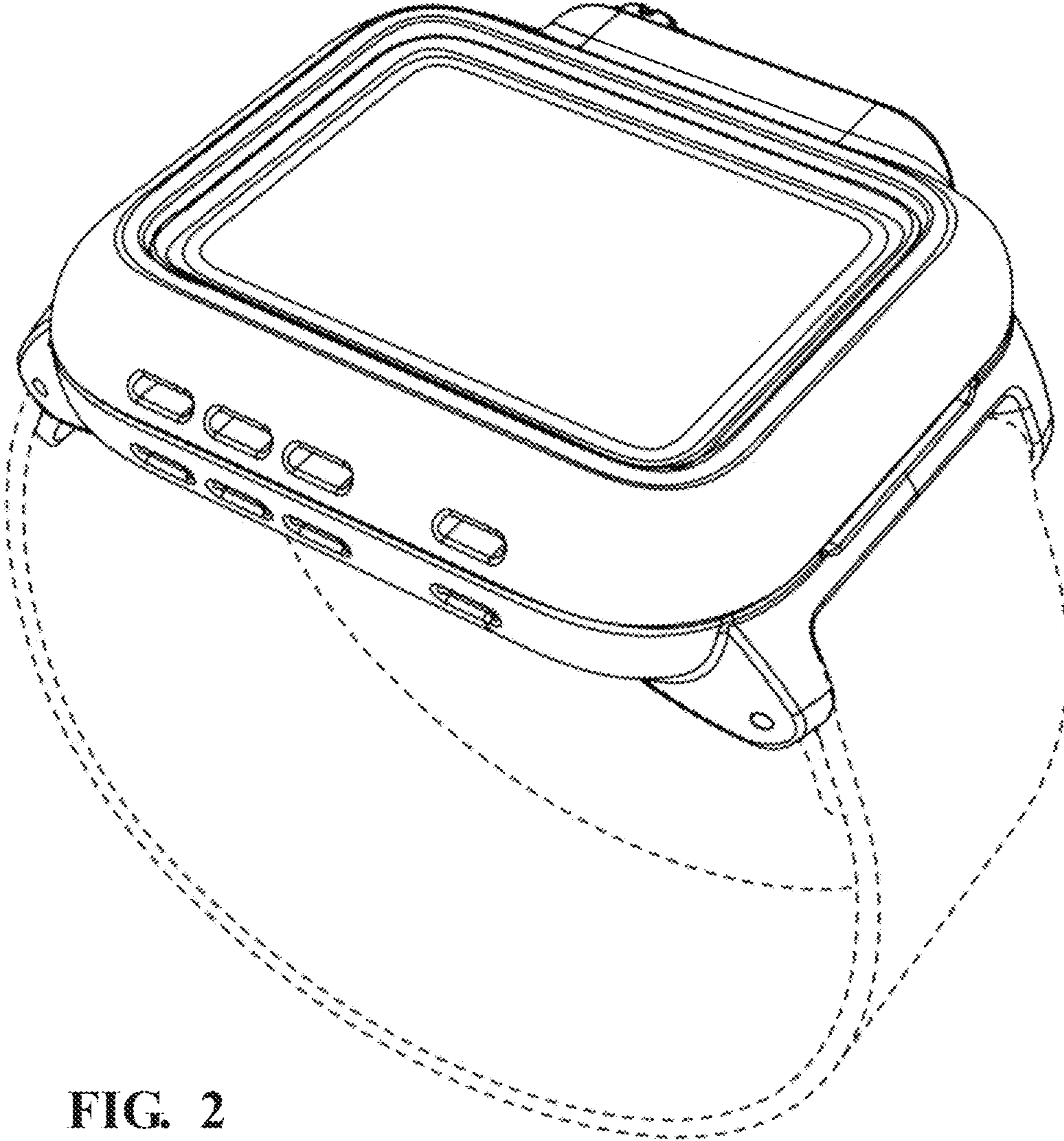


FIG. 2

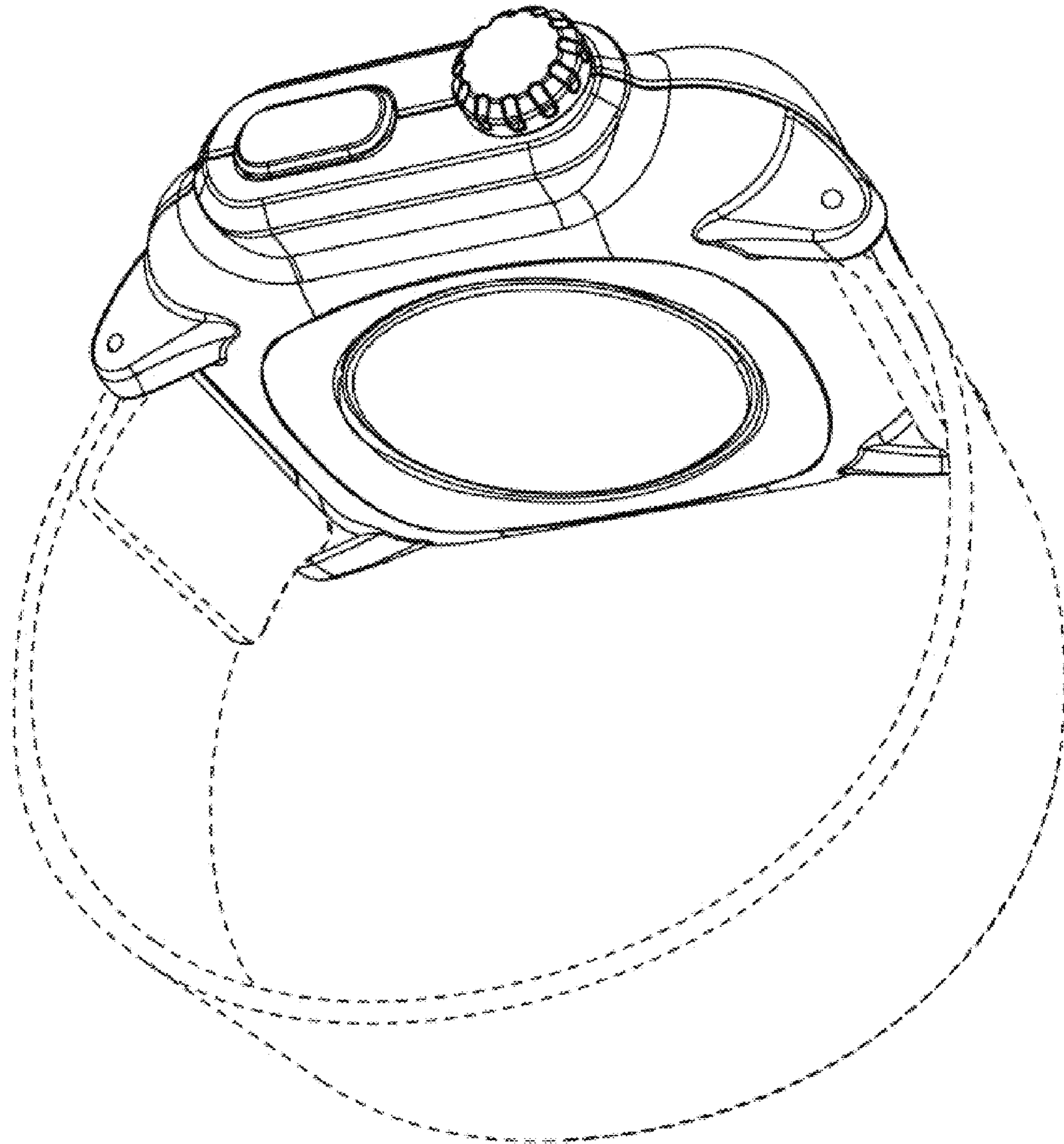


FIG. 3

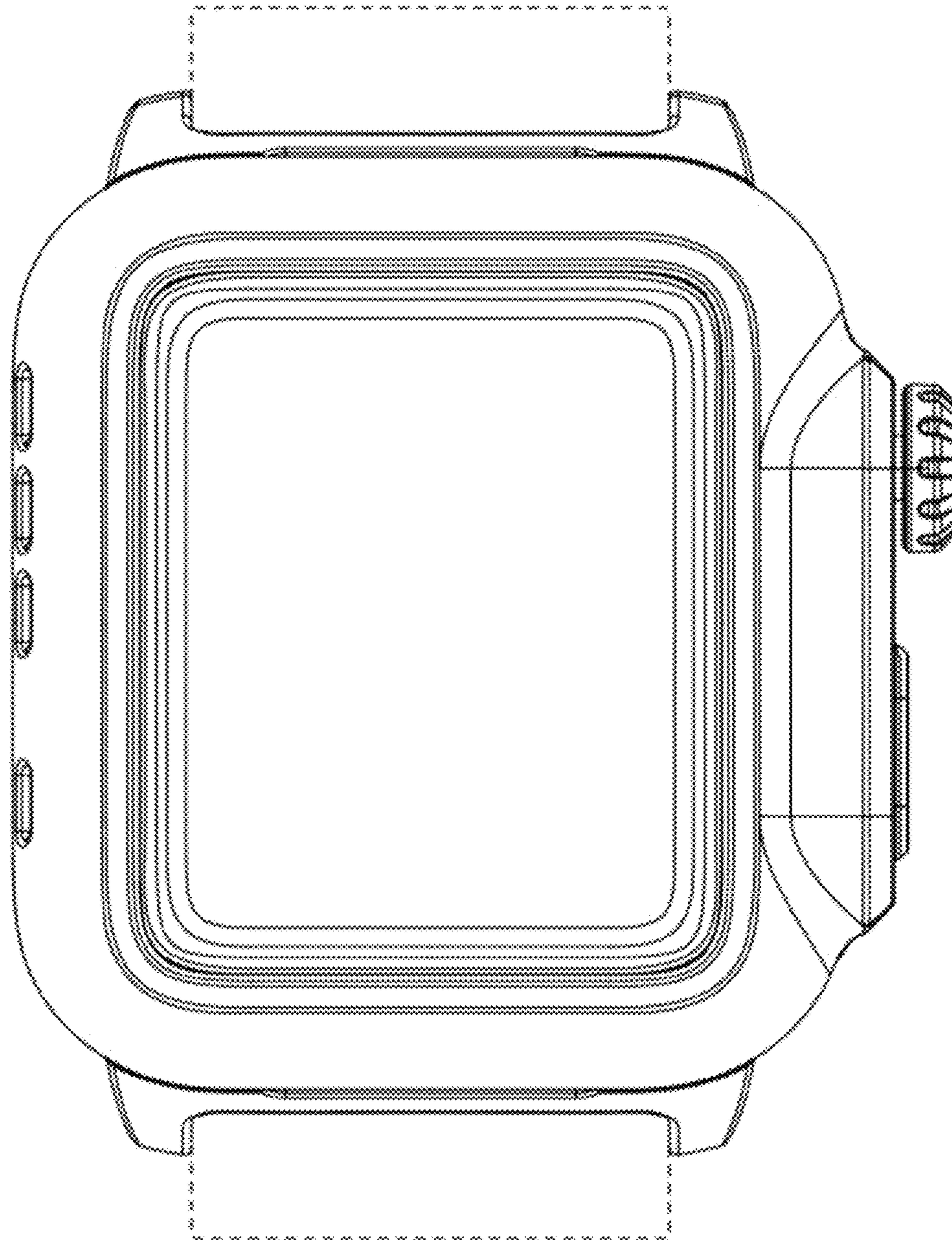


FIG. 4

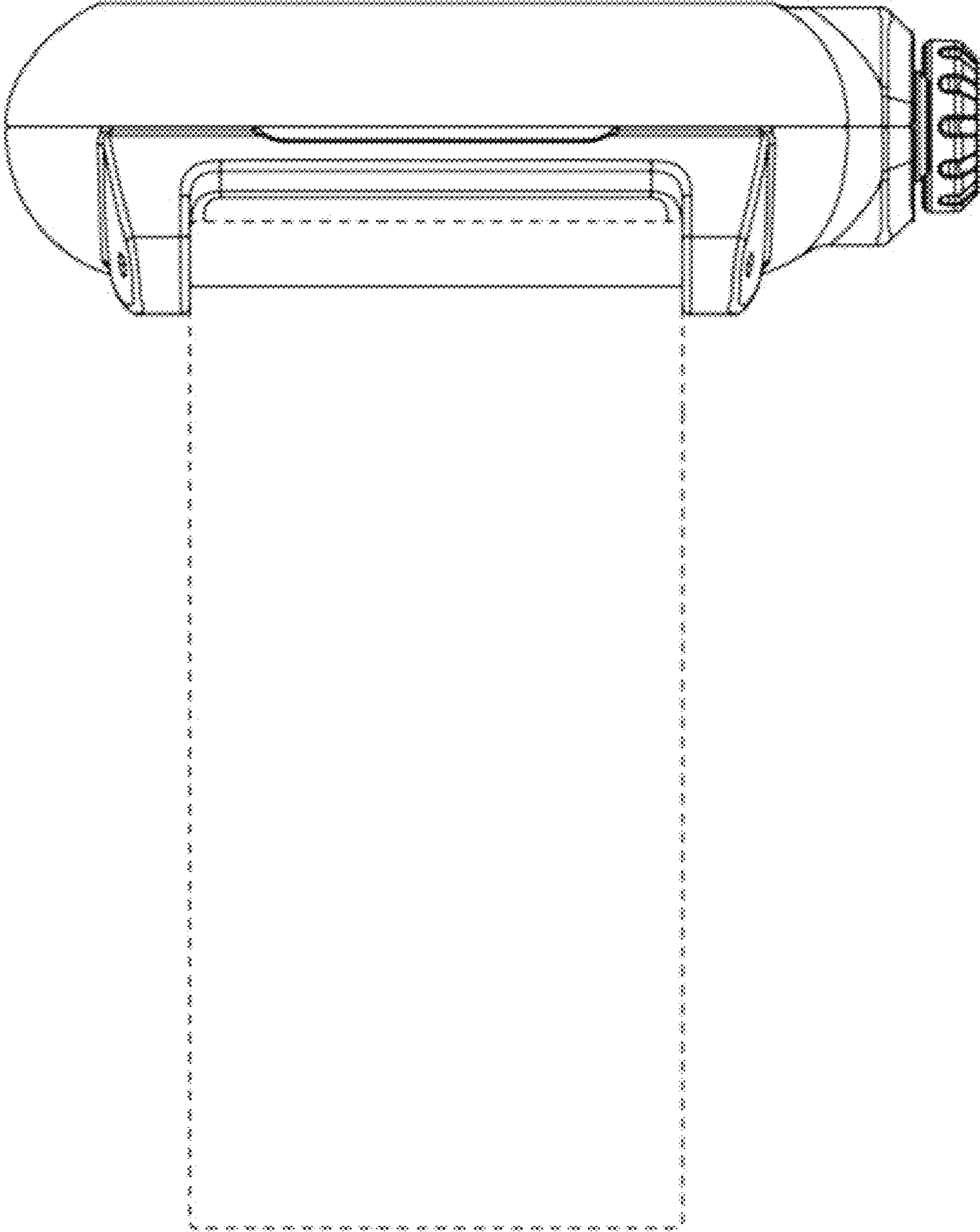


FIG. 5

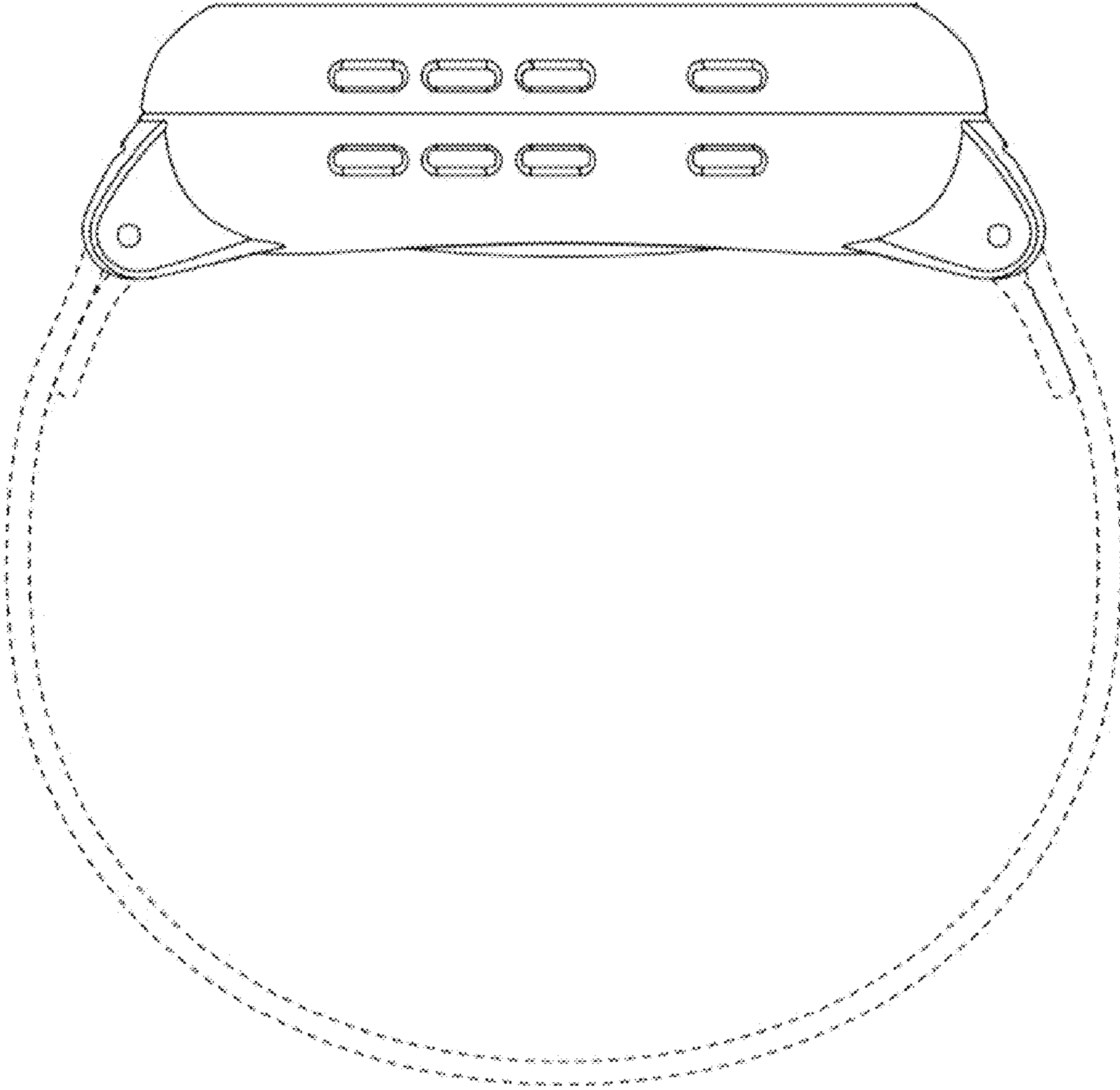


FIG. 6

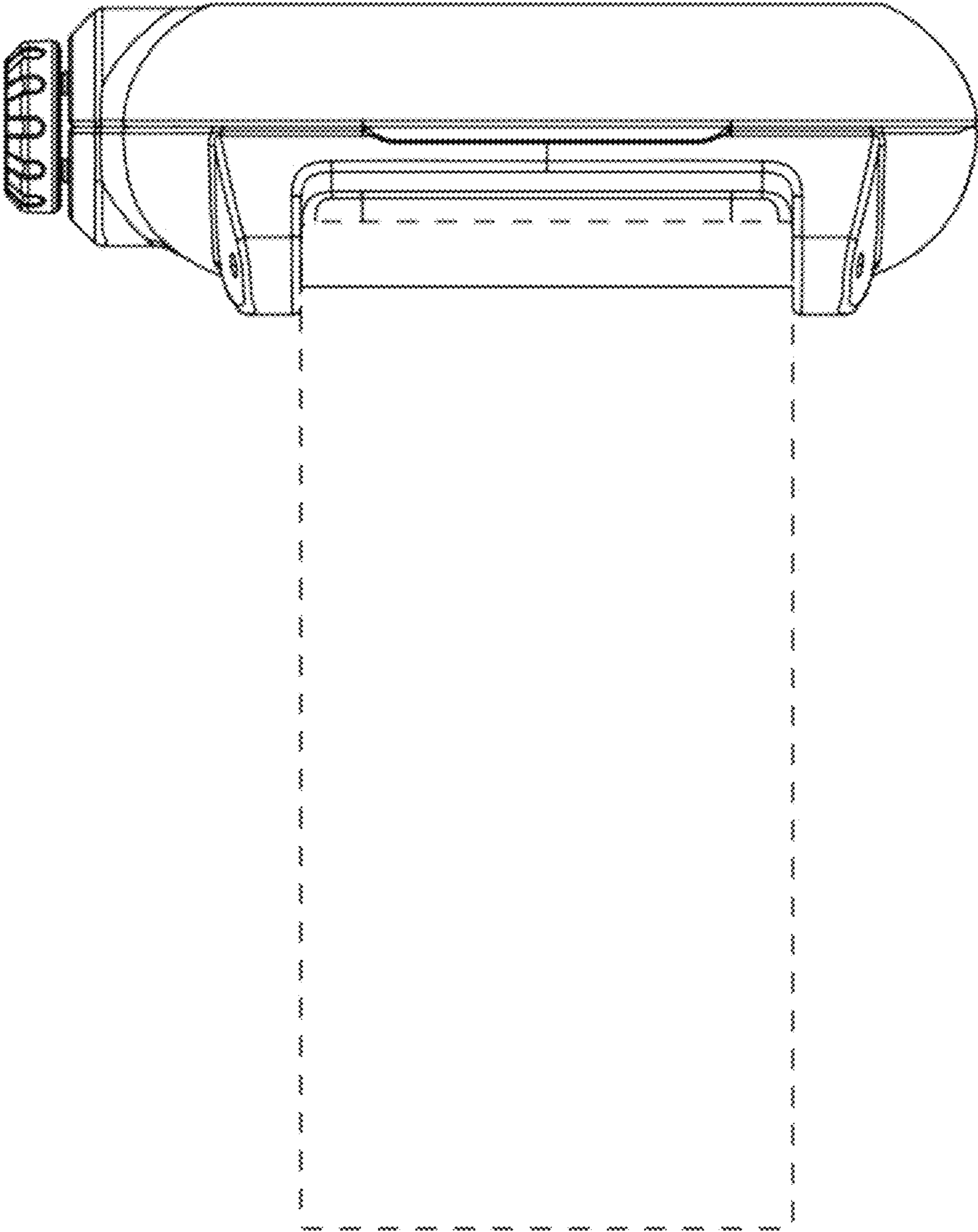


FIG. 7

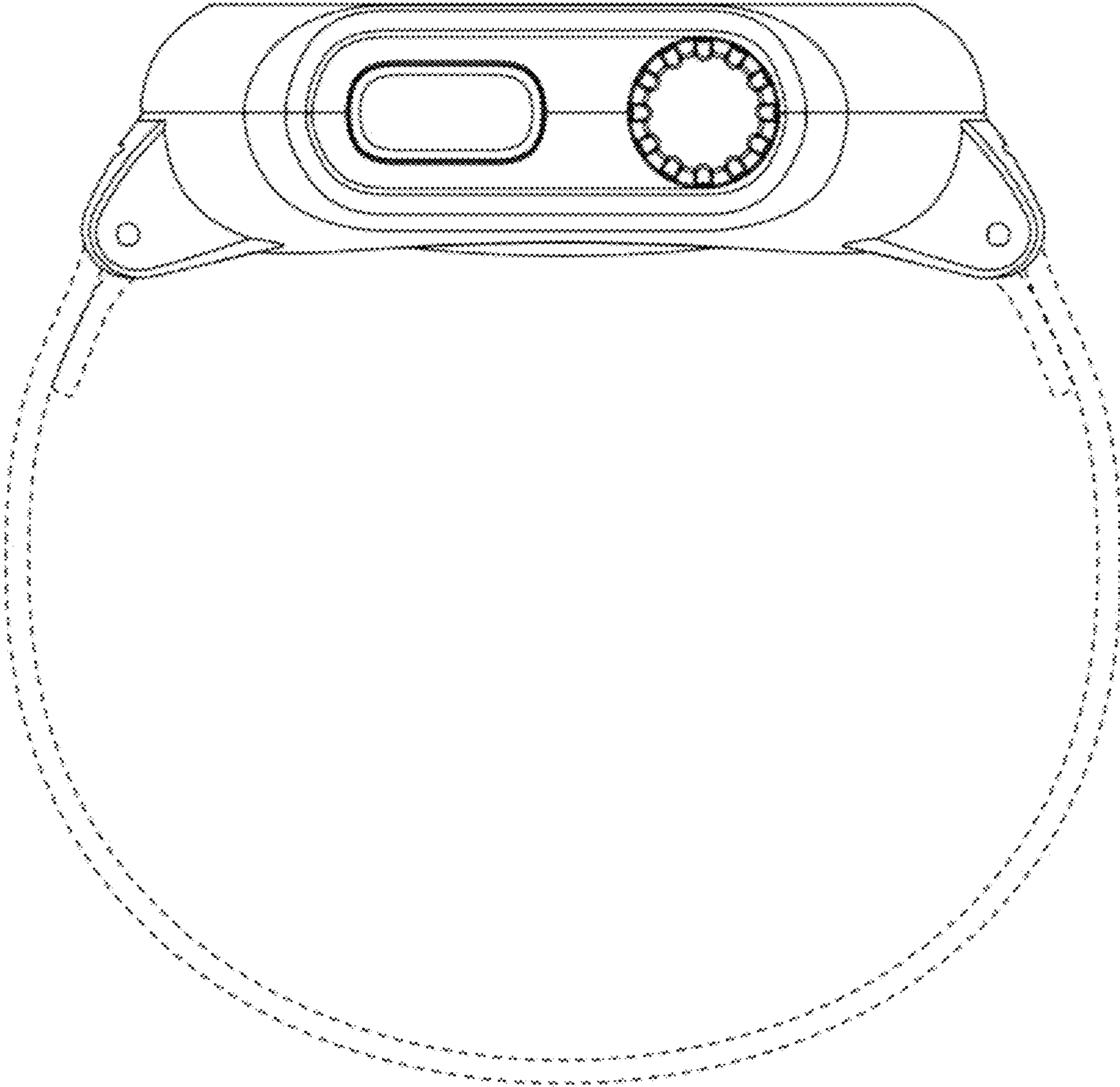


FIG. 8

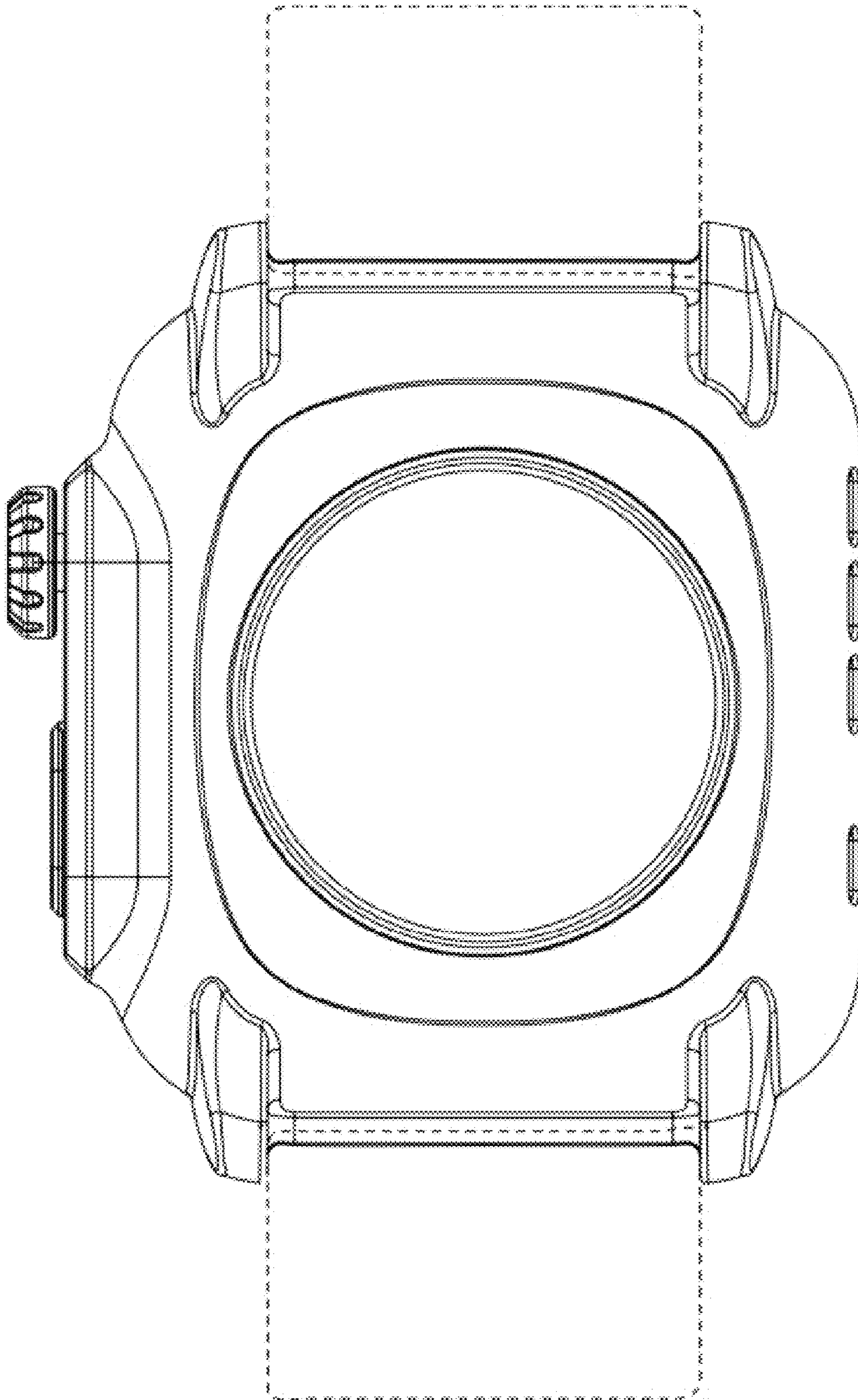


FIG. 9