



US00D771503S

(12) **United States Design Patent**
Brummer et al.

(10) **Patent No.:** **US D771,503 S**
(45) **Date of Patent:** **** Nov. 15, 2016**

(54) **CONTAINER FOR FOOD ITEMS**

(71) Applicant: **GIVE AND GO PREPARED FOODS CORP.**, Toronto (CA)

(72) Inventors: **Doug Brummer**, Toronto (CA); **Samir R. Parikh**, Brampton (CA)

(73) Assignee: **GIVE AND GO PREPARED FOODS CORP.**, Toronto (CA)

(**) Term: **15 Years**

(21) Appl. No.: **29/539,210**

(22) Filed: **Sep. 11, 2015**

Related U.S. Application Data

(62) Division of application No. 29/420,143, filed on May 4, 2012, now Pat. No. Des. 748,992.

(51) **LOC (10) Cl.** **09-03**

(52) **U.S. Cl.**
USPC **D9/756**

(58) **Field of Classification Search**
USPC D9/414, 420-426, 429-432, 737,
D9/756-762; D7/538, 540-542, 550.1,
(Continued)

(56) **References Cited**

U.S. PATENT DOCUMENTS

3,512,458 A * 5/1970 Ehe B65D 1/30
206/564

D227,860 S 7/1973 Schuman
(Continued)

FOREIGN PATENT DOCUMENTS

CA 2776018 * 11/2012 B65D 25/00
CA 2870083 * 11/2012 B65D 25/00

OTHER PUBLICATIONS

4 Compartment Cupcake Container (via Webstaurant Store), available Apr. 26, 2015, [online], [site visited Mar. 11, 2016]. Available from internet, <URL: <http://www.webstaurantstore.com/4-compartment-clear-hinged-high-dome-cupcake-container-225-case/433KP404.html>>.*

(Continued)

Primary Examiner — Cathron Brooks

Assistant Examiner — Teddy Falloway

(74) *Attorney, Agent, or Firm* — Bereskin & Parr
LLP/S.E.N.C.R.L.s.r.l.

(57) **CLAIM**

The ornamental design for a container for food items, as shown and described.

DESCRIPTION

FIG. 1 is a front perspective view of a container for food items of the present design, shown in the fully closed position;

FIG. 2 is a left side view of the container for food items of FIG. 1;

FIG. 3 is a front view of the container for food items of FIG. 1;

FIG. 4 is a right side view of the container for food items of FIG. 1;

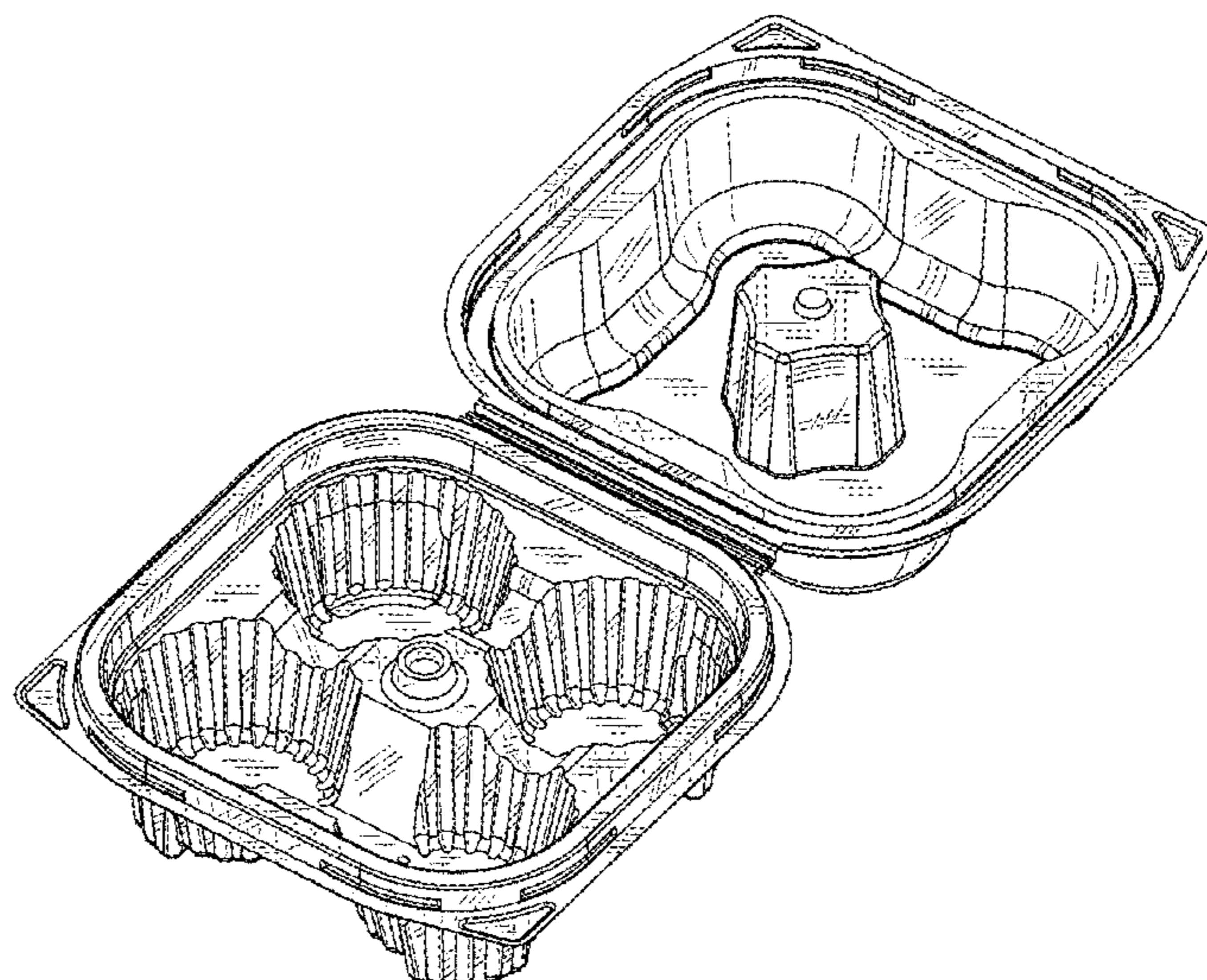
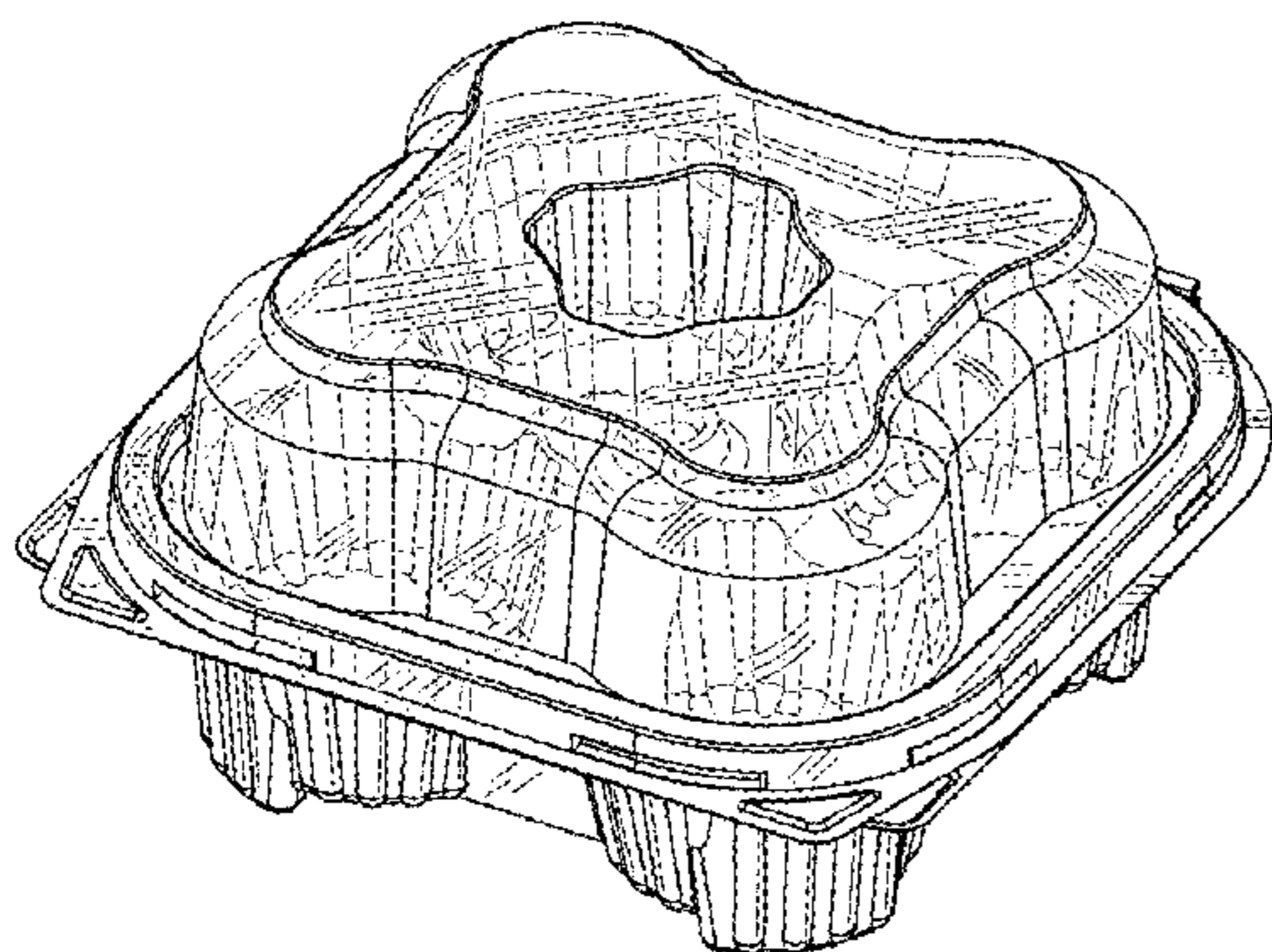
FIG. 5 is a rear view of the container for food items of FIG. 1;

FIG. 6 is a top view of the container for food items of FIG. 1;

FIG. 7 is a bottom view of the container for food items of FIG. 1; and,

FIG. 8 is a perspective view of the container for food items of FIG. 1, shown in the fully open position.

1 Claim, 5 Drawing Sheets



(58) **Field of Classification Search**

USPC .. D7/553.1–553.3, 554.1, 554.3, 554.4, 555,
 D7/557, 584, 586, 601, 602, 610, 611, 614,
 D7/615, 701, 703, 707, 708; D3/206, 270,
 D3/294, 273, 203.3, 276, 282, 284, 293,
 D3/295–298, 302, 315, 901, 903, 905;
 206/488, 457, 776, 551, 754, 755, 804,
 206/817, 589, 579; 220/780–806, 475, 674,
 220/675, 4.21–4.24, 555, 556, 810, 836,
 220/837, 841, 366.1, 467; 229/906, 902,
 229/904, 406, 407, 903, 110; 426/106
 CPC B65D 1/36; B65D 2543/00194; B65D
 2543/00296; B65D 43/162; B65D
 2543/00203; B65D 2543/0031; B65D
 2543/00425; B65D 85/60

See application file for complete search history.

D671,427 S * 11/2012 Landry D9/755
 D735,585 S * 8/2015 Tayara D9/757
 D748,992 S * 2/2016 Parikh D9/761
 2004/0251162 A1 12/2004 McGinnis et al.
 2005/0284307 A1 12/2005 Vovan
 2008/0308557 A1* 12/2008 Kyle B65D 43/0235
 220/359.1
 2009/0242569 A1 10/2009 Solmon
 2010/0059580 A1 3/2010 Voigt
 2010/0155289 A1 6/2010 Nazareth et al.
 2010/0258471 A1 10/2010 Enriquez et al.
 2011/0000911 A1 1/2011 McCumber
 2011/0031154 A1 2/2011 Overgaag et al.
 2011/0132796 A1 6/2011 Epstein et al.
 2011/0233092 A1* 9/2011 Slattery B65D 1/36
 206/427
 2013/0004625 A1* 1/2013 Brummer B65D 1/36
 426/119

(56) **References Cited**

U.S. PATENT DOCUMENTS

4,193,531 A 3/1980 Saby
 D305,713 S * 1/1990 Seifried D7/553.4
 5,456,379 A 10/1995 Krupa et al.
 D394,985 S 6/1998 Curtis et al.
 D409,483 S * 5/1999 Herbruck D9/762
 D415,022 S * 10/1999 Gaudet D9/756
 6,176,375 B1 1/2001 Truscello et al.
 6,231,906 B1 5/2001 Alessi
 D514,452 S 2/2006 Enriquez
 D578,388 S 10/2008 Lymn et al.
 D583,659 S 12/2008 Lyon et al.
 D592,076 S * 5/2009 Sipe D9/420
 D592,077 S * 5/2009 Sipe D9/420
 D606,885 S 12/2009 Olsson
 D616,267 S * 5/2010 Kulzer D7/701
 D616,714 S * 6/2010 Kulzer D7/701
 D632,977 S 2/2011 Dijsktra et al.
 D640,570 S 6/2011 Landry
 D640,571 S 6/2011 Landry
 D641,260 S 7/2011 Breton et al.
 D643,309 S 8/2011 Birchmeier et al.
 D643,310 S 8/2011 Birchmeier et al.
 D648,635 S 11/2011 Golota et al.
 D661,601 S * 6/2012 Sanfilippo D9/737

OTHER PUBLICATIONS

4 Compartment Container (Par-Pak via Webstaurant Store), available Jan. 29, 2015, [online], [site visited Mar. 11, 2016]. Available from internet, <URL: <http://www.webstaurantstore.com/par-pak-02086-4-compartment-clear-ops-hinged-cupcake-muffin-container-300-case/65602086.html>.*

4 Count Cupcake Container, available Sep. 7, 2013, [online], [site visited Mar. 11, 2016]. Available from internet, <URL: <http://www.cuptainers.com/Food-Packaging-Supply/Take-Out/Plastic-Containers/Cupcake-Containers/4-Count-Regular-Size-Cupcake-Container-250-CT.html>.*

4 Count Plastic Cupcake Container (via Brenmar), available Aug. 20, 2015, [online], [site visited Mar. 11, 2016]. Available from internet, <URL: <http://www.brenmarco.com/product/4-count-plastic-cupcake-container/>.*

Kimberly's Cupcakes, 4 count (via Wal-Mart), available Oct. 2, 2012, [online], [site visited Mar. 11, 2016]. Available from internet, <URL: <http://www.walmart.com/ip/Kimberley-s-Bakeshoppe-Red-Velvet-Gourmet-Cupcakes-4-count/21048683>.*

Archer Farms Cupcakes, 4 count (via Target), available Feb. 27, 2015, [online], [site visited Mar. 11, 2016]. Available from internet, <URL: <http://www.target.com/p/archer-farms-vanilla-bean-cupcake-with-vanilla-cream-filling-4-ct/-/A-14815324>.*

* cited by examiner

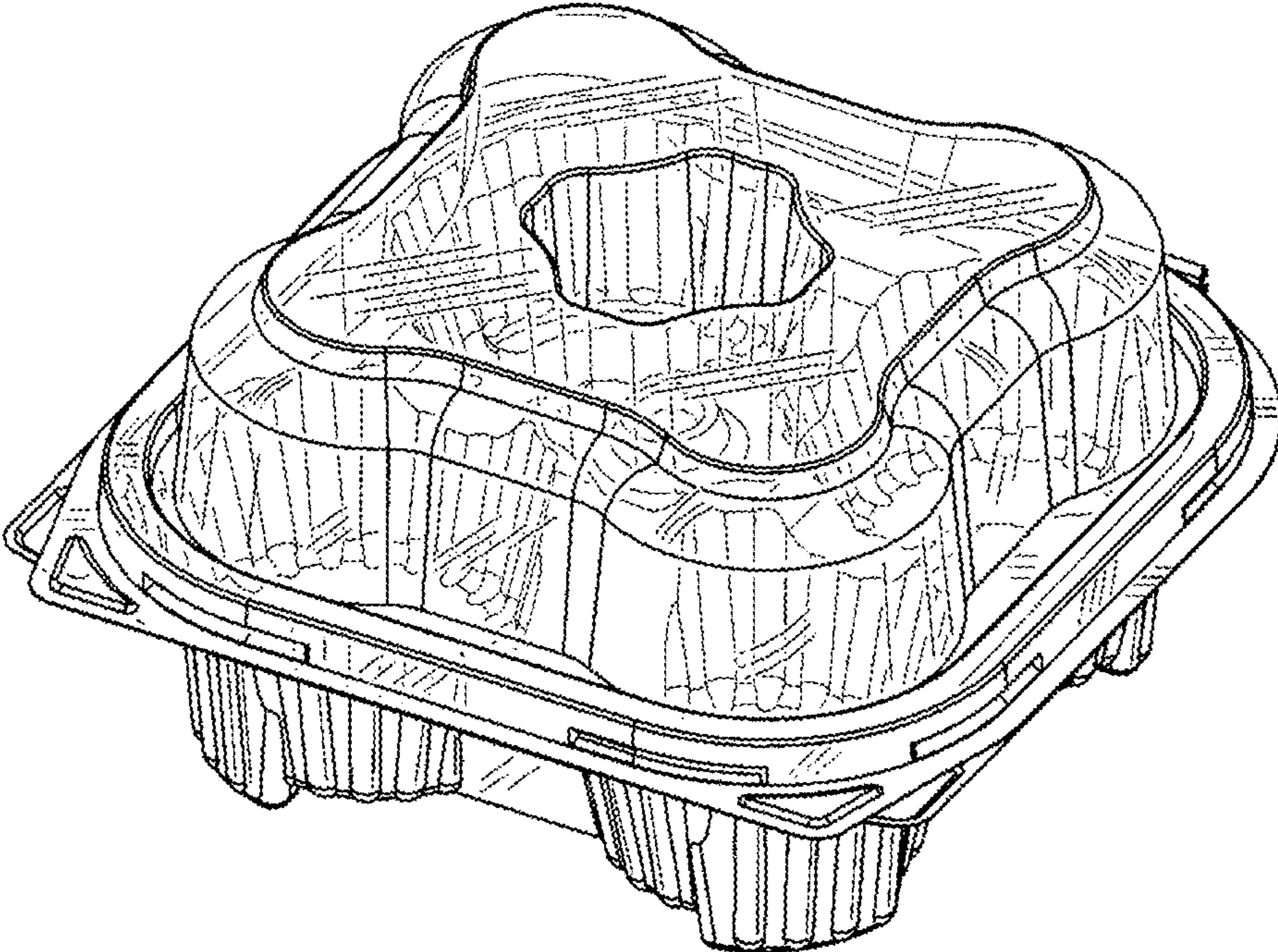


FIG. 1

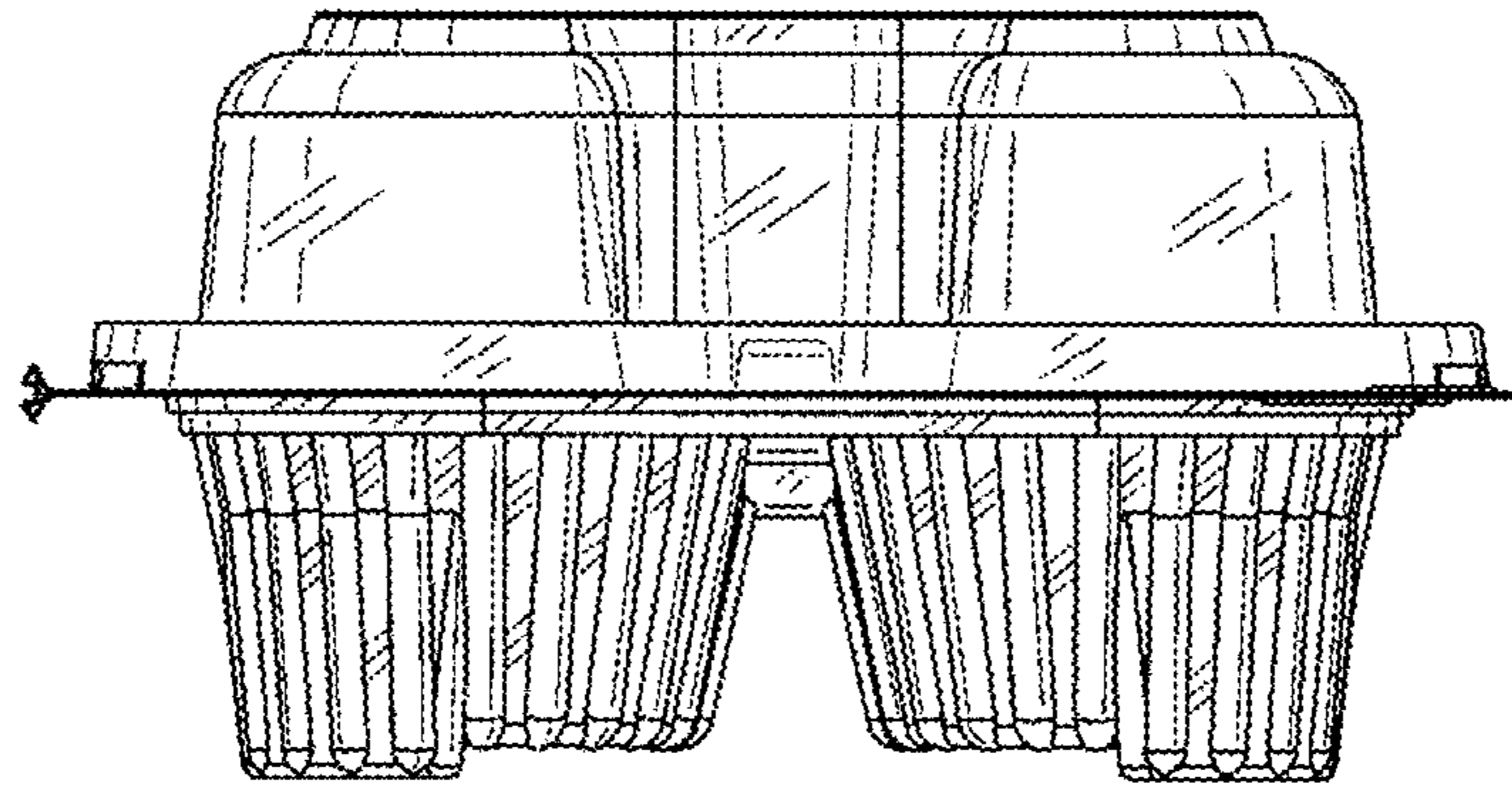


FIG. 2

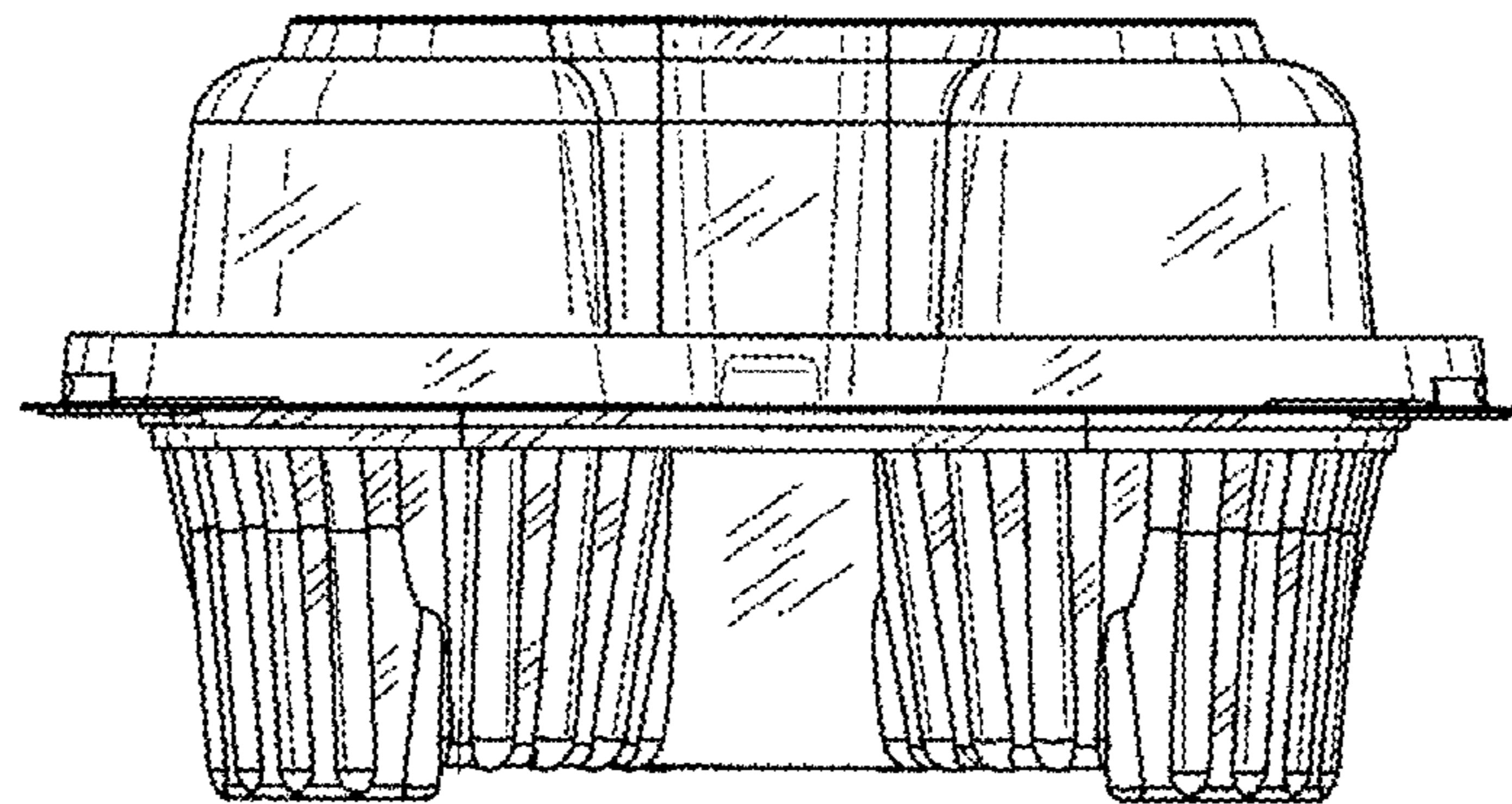


FIG. 3

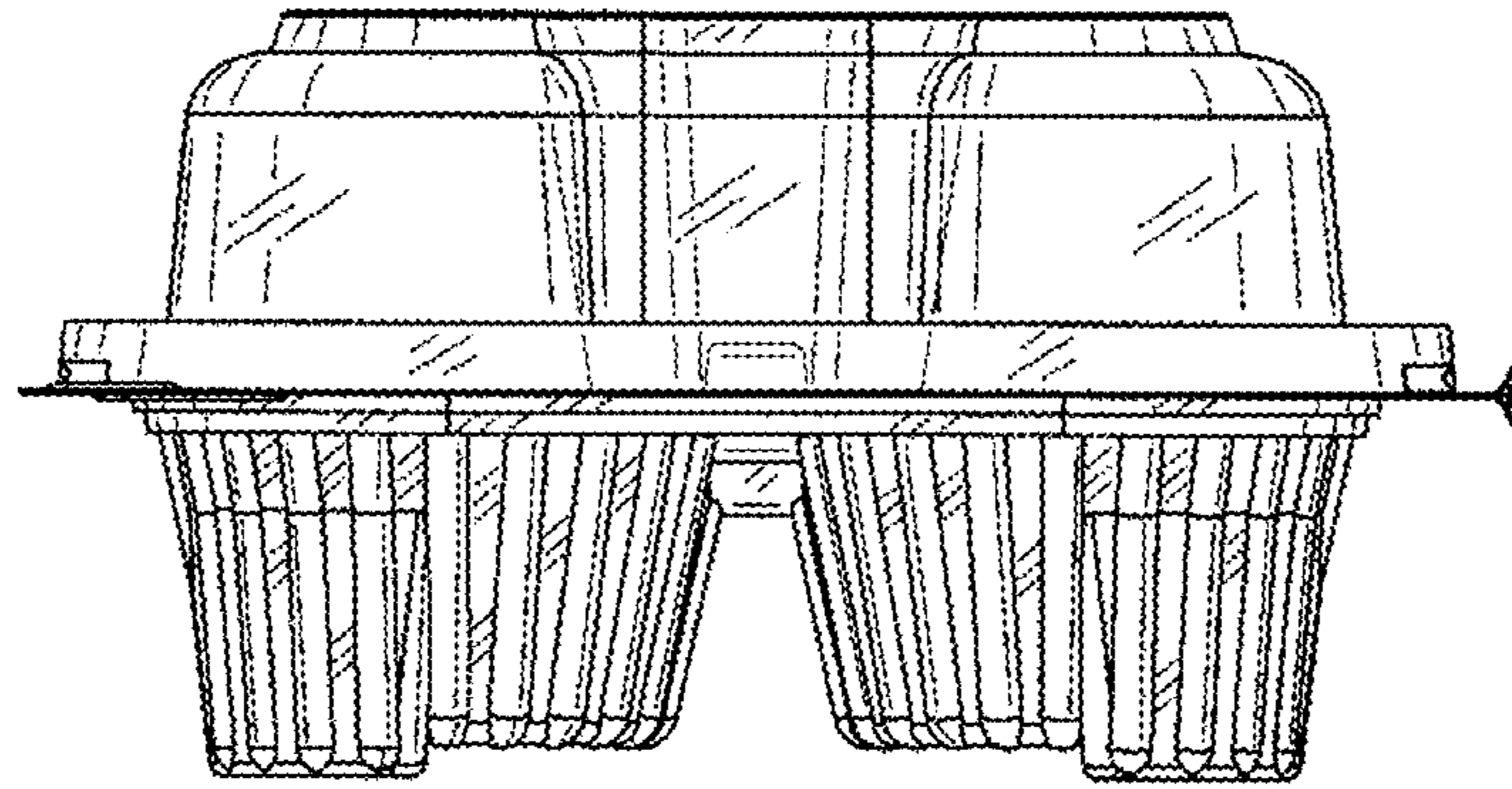


FIG. 4

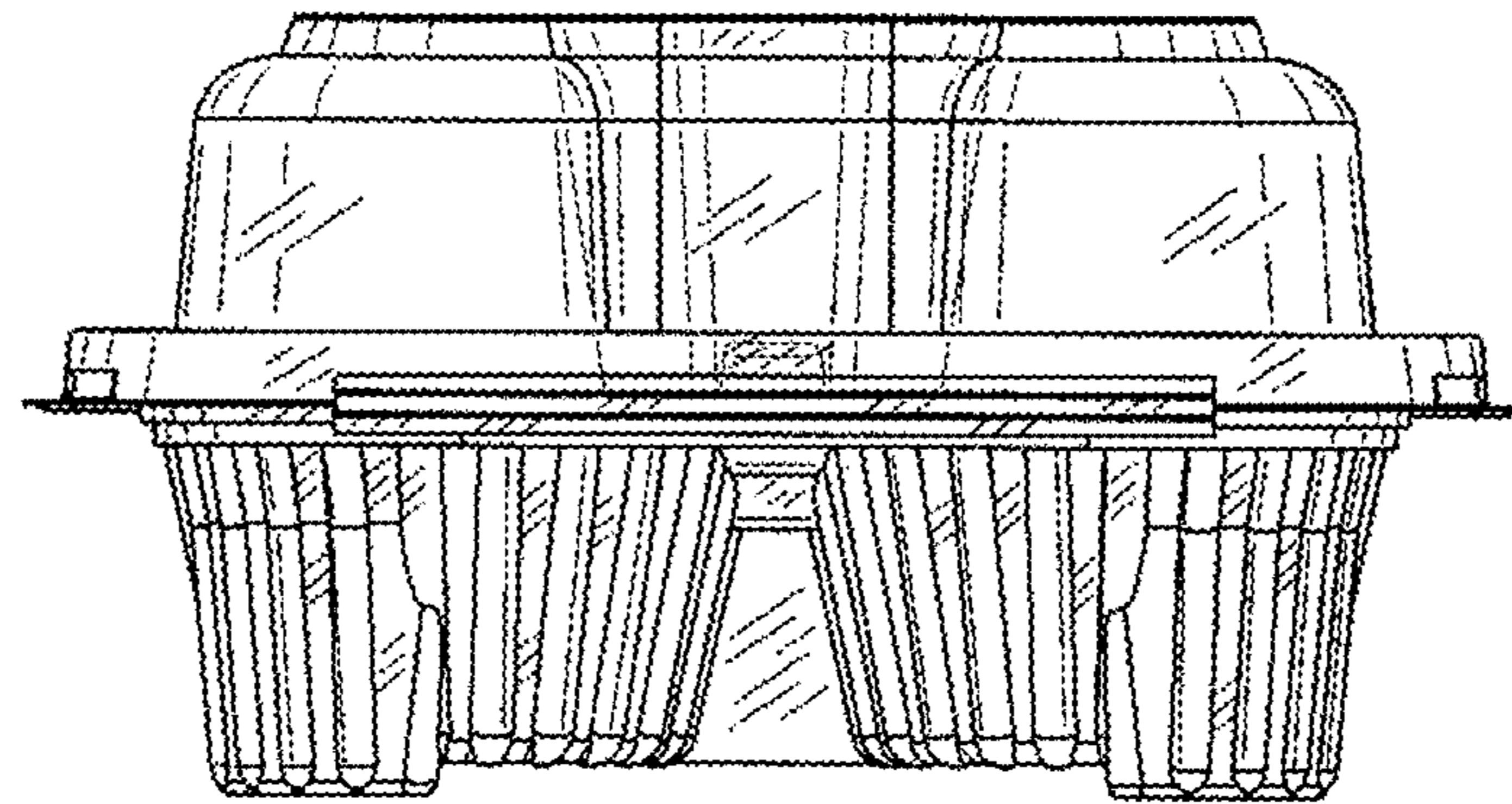


FIG. 5

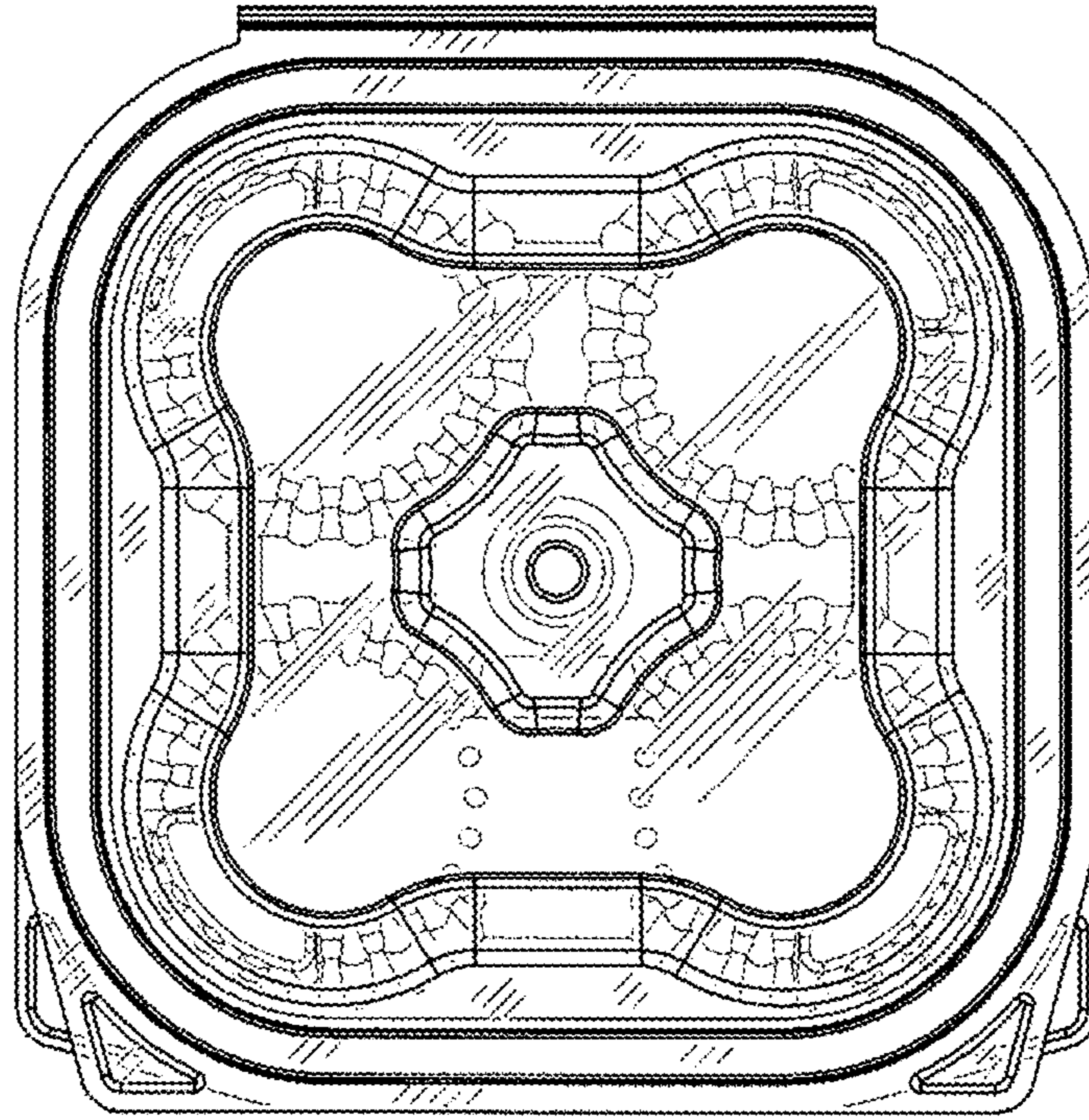


FIG. 6

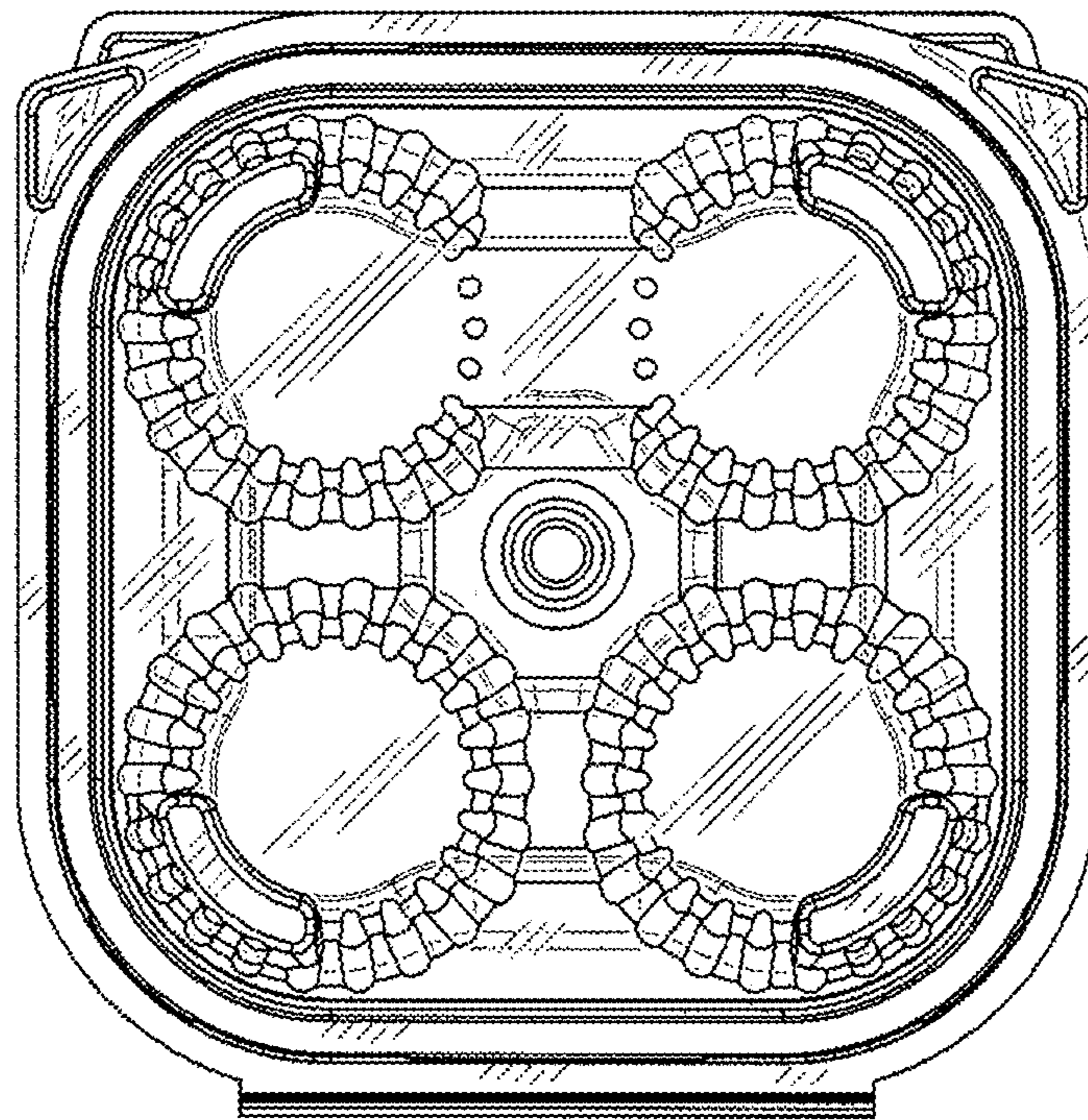


FIG. 7

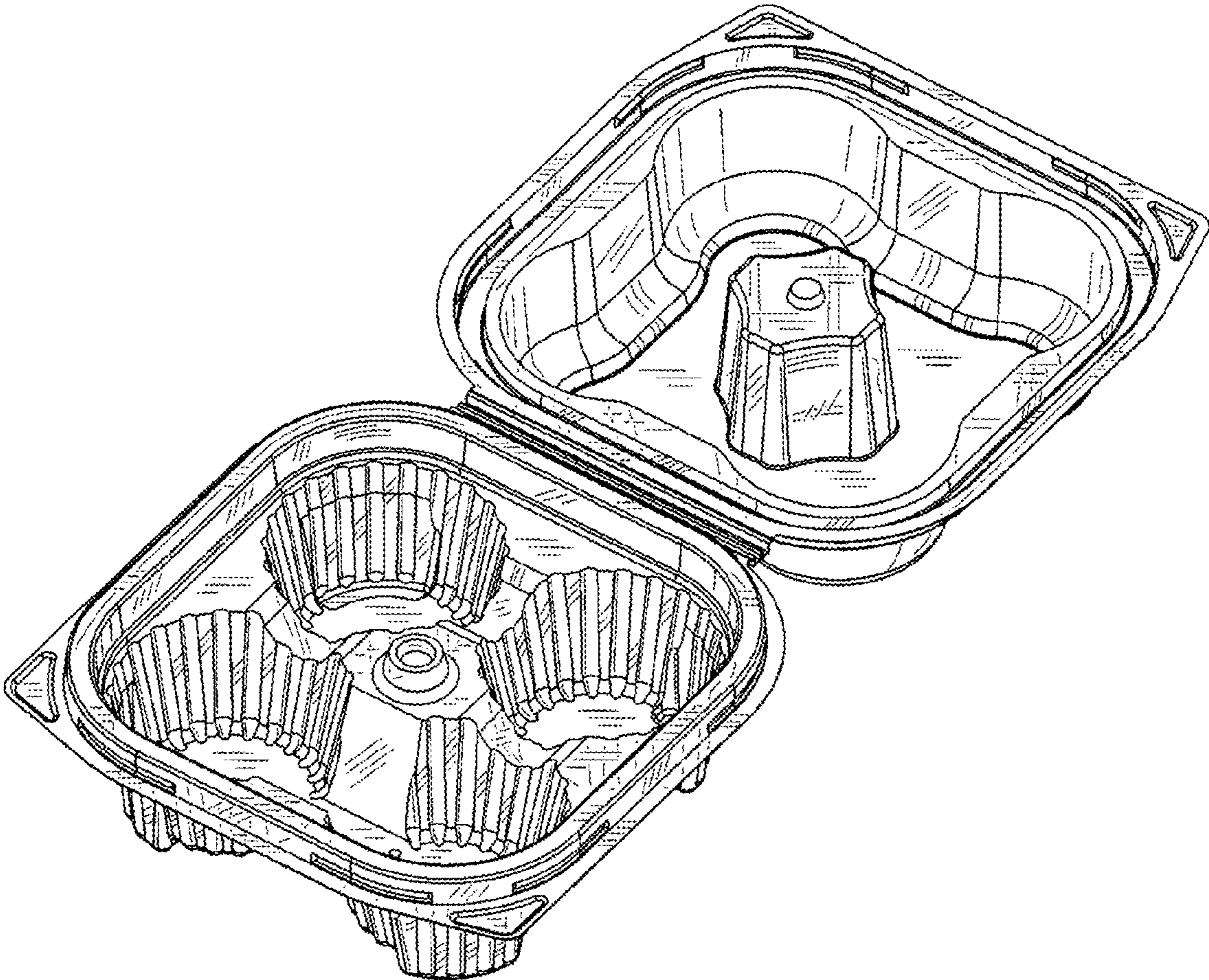


FIG. 8