



US00D771501S

(12) **United States Design Patent**  
**Manfredonia**

(10) **Patent No.:** **US D771,501 S**

(45) **Date of Patent:** **\*\* Nov. 15, 2016**

(54) **FOOD DISPENSER**

(71) Applicant: **S&R Bakers, LLC**, Parma, OH (US)

(72) Inventor: **Susan Manfredonia**, Seven Hills, OH (US)

(73) Assignee: **S&R Bakers, LLC**, Parma, OH (US)

(\*\*) Term: **14 Years**

(21) Appl. No.: **29/502,241**

(22) Filed: **Sep. 12, 2014**

(51) **LOC (10) Cl.** ..... **09-05**

(52) **U.S. Cl.**  
USPC ..... **D9/712**

(58) **Field of Classification Search**

USPC ..... D9/702-714, 761, 731, 414, 416, 418, D9/430-432, 438, 520-521, 695-699, D9/522; D7/302, 312, 602, 665, 669; 206/530, 484, 466; 222/92, 105, 215, 222/145.1, 95, 183, 107, 102, 153.13, 82, 222/383.1, 385; 383/9, 22, 59-60, 901, 383/207, 209, 108, 105, 120; D24/118, D24/207, 108, 104, 115, 117; 128/114.1, 128/DIG. 24; 220/660, 662, 495.01, 495.03; 141/331, 333, 334; 426/106, 115; D28/5, 7, 8.1; 425/190, 191, 461  
CPC ..... B65D 1/00; B65D 1/02; B65D 1/0207; B65D 1/0223; B65D 1/0292; B65D 1/09; B65D 1/32; B65D 1/323; B65D 3/06; B65D 3/02; B65D 3/20; B65D 5/02; B65D 5/08; B65D 5/2019; B65D 5/2038; B65D 5/2061; B65D 11/00; B65D 11/02; B65D 11/04; B65D 11/20; B65D 75/326; B65D 75/00; A21C 15/005; A21C 15/00; A21C 15/02; A21C 15/007

See application file for complete search history.

(56) **References Cited**

U.S. PATENT DOCUMENTS

4,205,765 A \* 6/1980 May ..... A21C 15/005  
222/107  
D310,317 S \* 9/1990 Broderick ..... D7/669

(Continued)

*Primary Examiner* — Abraham Bahta

(74) *Attorney, Agent, or Firm* — Benesch, Friedlander, Coplan & Aronoff LLP

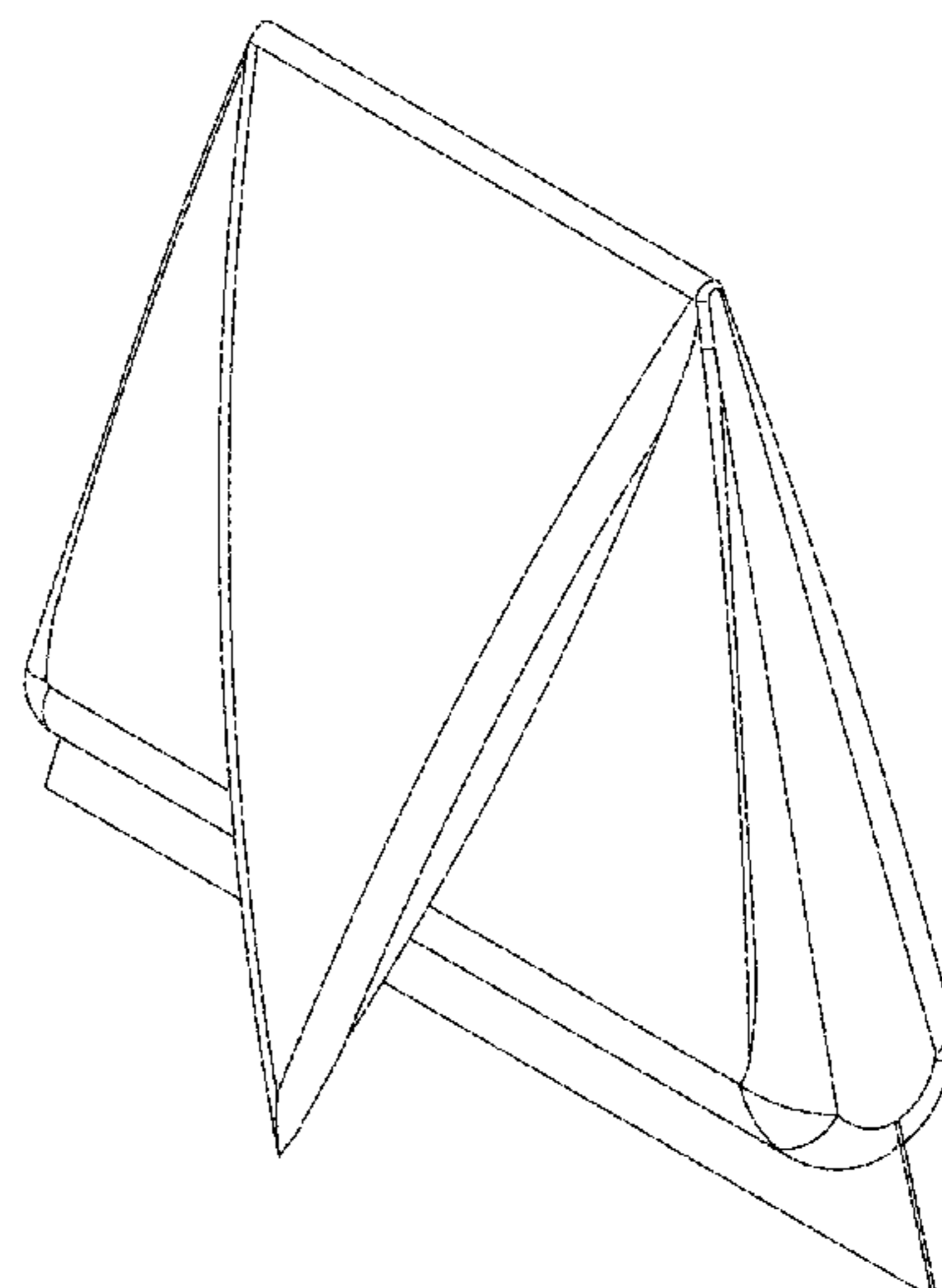
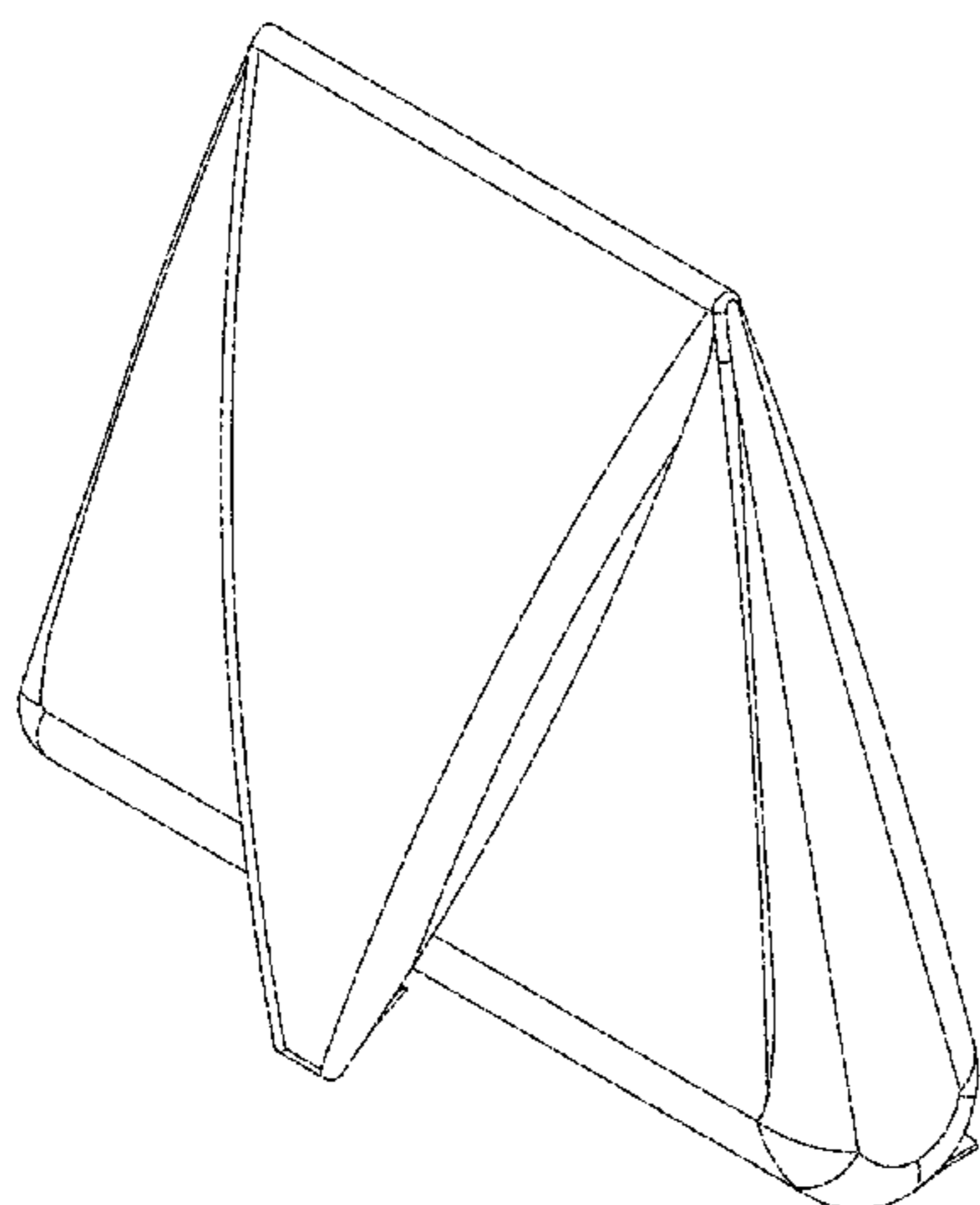
(57) **CLAIM**

The ornamental design for a food dispenser, as shown and described.

**DESCRIPTION**

FIG. 1 is a perspective view of a first embodiment of a food dispenser;  
FIG. 2 is a right-side elevation view of the food dispenser of FIG. 1;  
FIG. 3 is a left-side elevation view of the food dispenser of FIG. 1;  
FIG. 4 is a front elevation view of the food dispenser of FIG. 1;  
FIG. 5 is a rear elevation view of the food dispenser of FIG. 1;  
FIG. 6 is a top plan view of the food dispenser of FIG. 1;  
FIG. 7 is a bottom view of the food dispenser of FIG. 1;  
FIG. 8 is a perspective view of a second embodiment of the food dispenser;  
FIG. 9 is a right-side elevation view of the food dispenser of FIG. 8;  
FIG. 10 is a left-side elevation view of the food dispenser of FIG. 8;  
FIG. 11 is a front elevation view of the food dispenser of FIG. 8;  
FIG. 12 is a rear elevation view of the food dispenser of FIG. 8;  
FIG. 13 is a top plan view of the food dispenser of FIG. 8;  
and,  
FIG. 14 is a bottom view of the food dispenser of FIG. 8.

**1 Claim, 8 Drawing Sheets**



# US D771,501 S

Page 2

---

(56)

## References Cited

### U.S. PATENT DOCUMENTS

D402,166 S *	12/1998	Wallays .....	D7/669	D559,098 S *	1/2008	Wilbur .....	D9/417
D422,216 S *	4/2000	Brozell .....	D9/448	D621,719 S *	8/2010	Caldwell .....	D9/707
D492,898 S *	7/2004	Grant .....	D9/445	8,763,835 B2 *	7/2014	Tirone .....	A21C 15/005 220/23.86
				D721,581 S *	1/2015	Brown .....	D9/447

\* cited by examiner

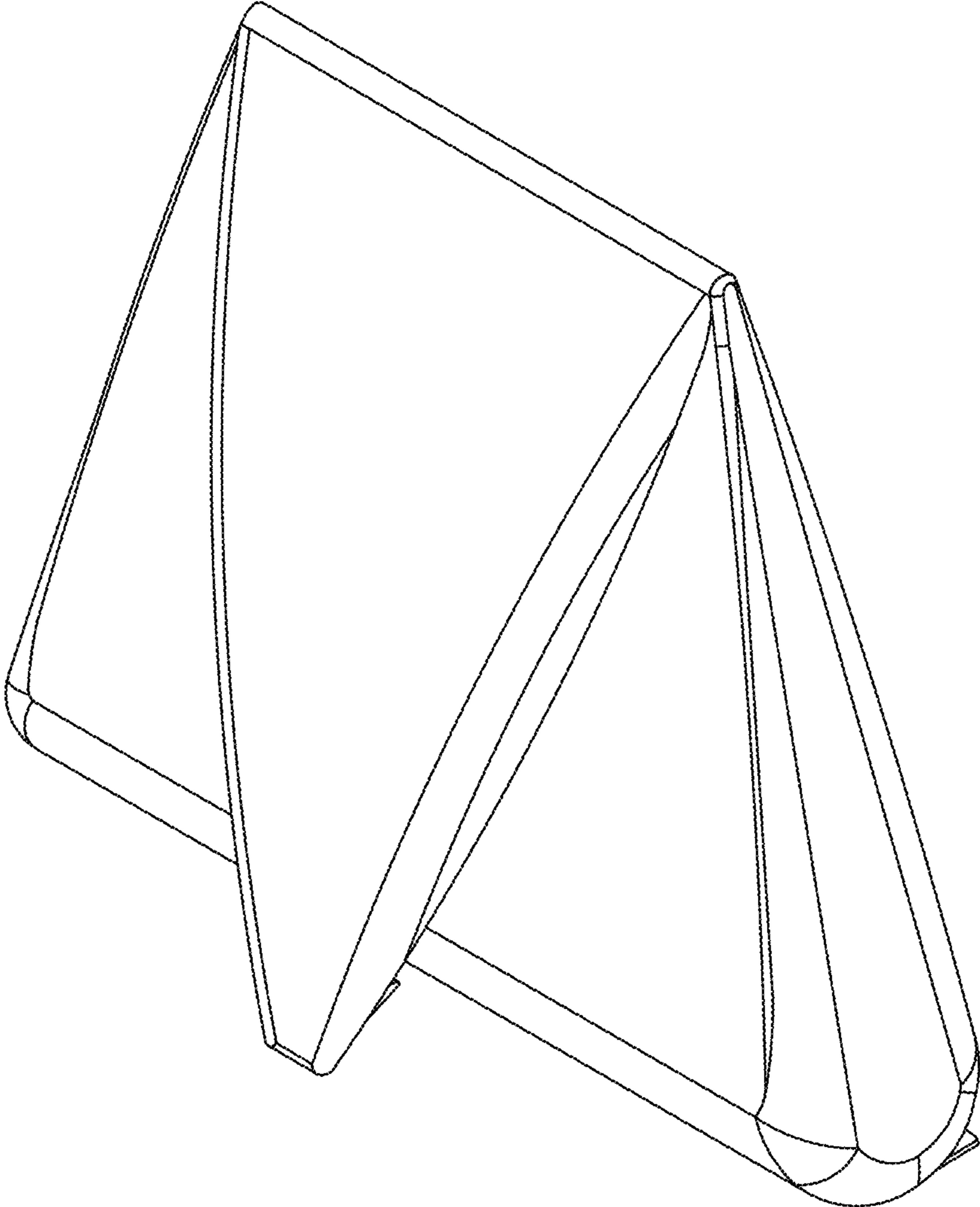


FIG. 1

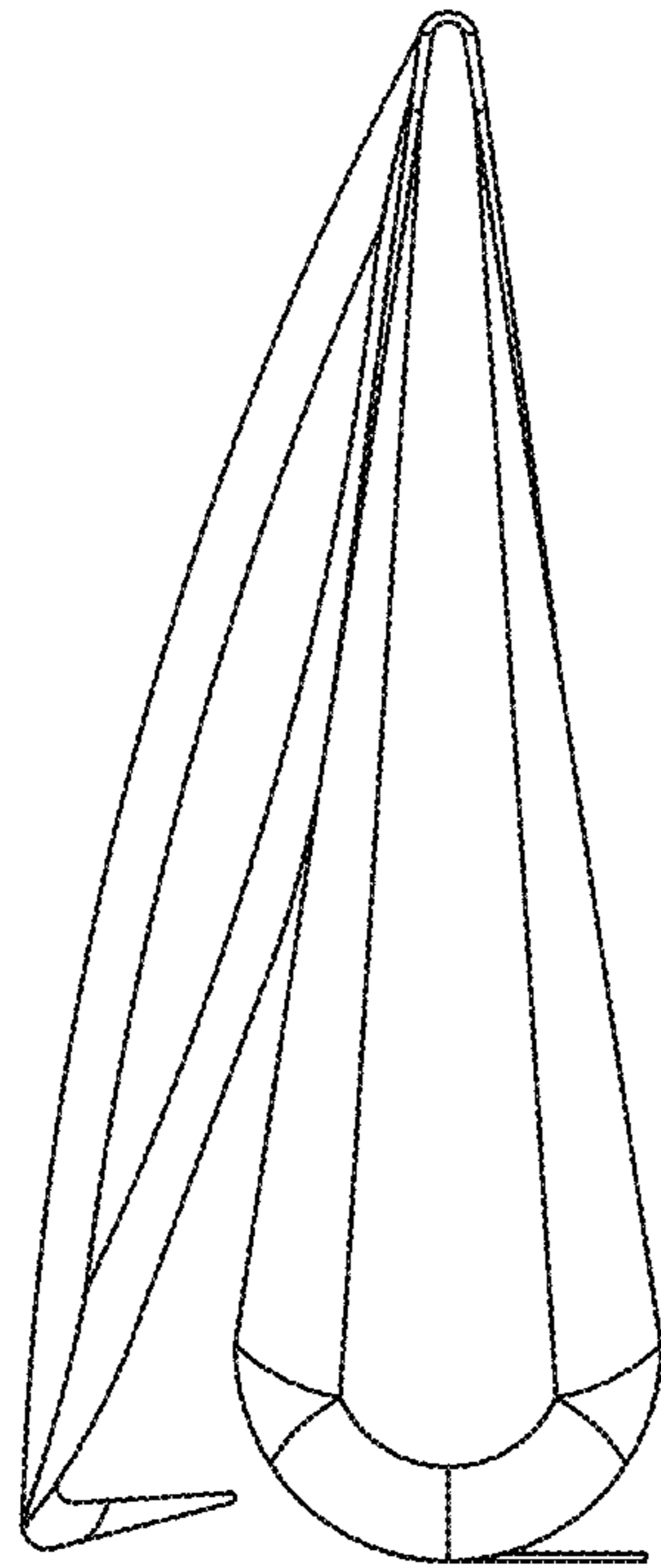


FIG. 2

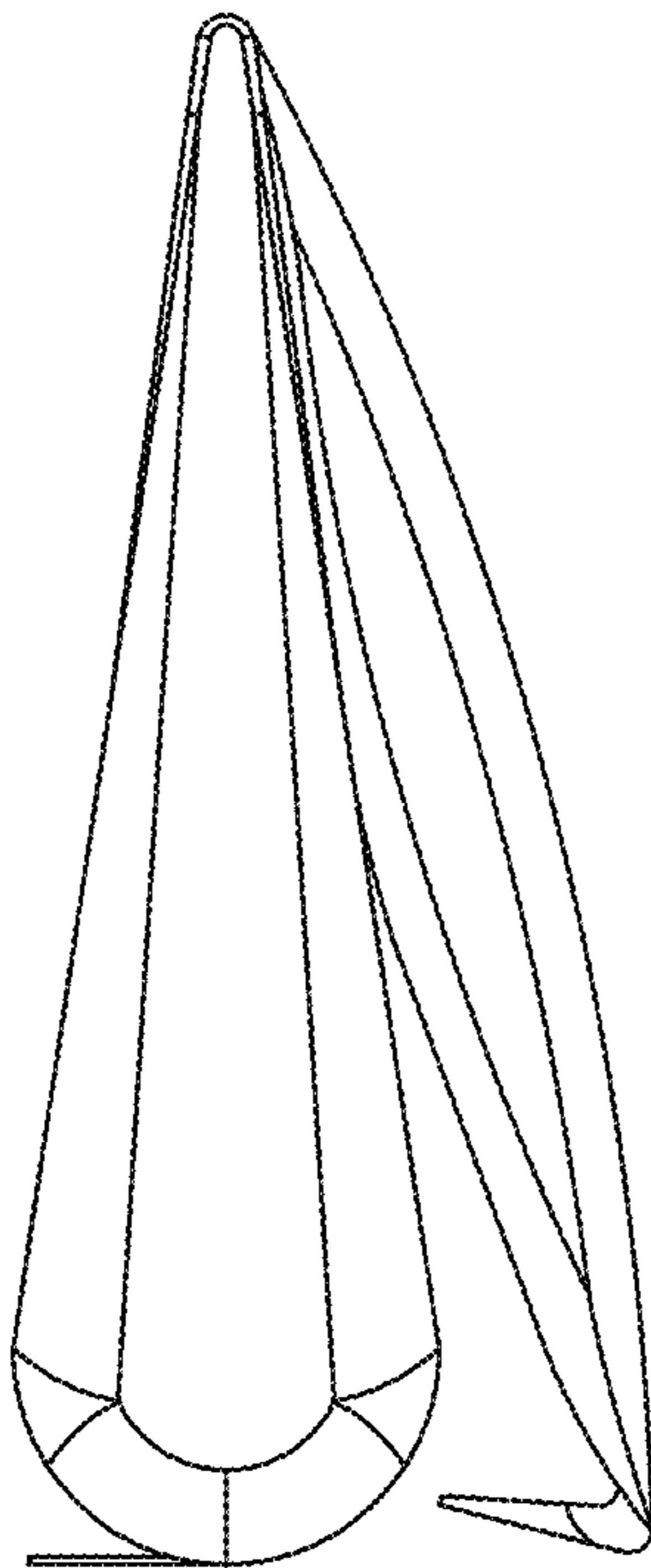


FIG. 3

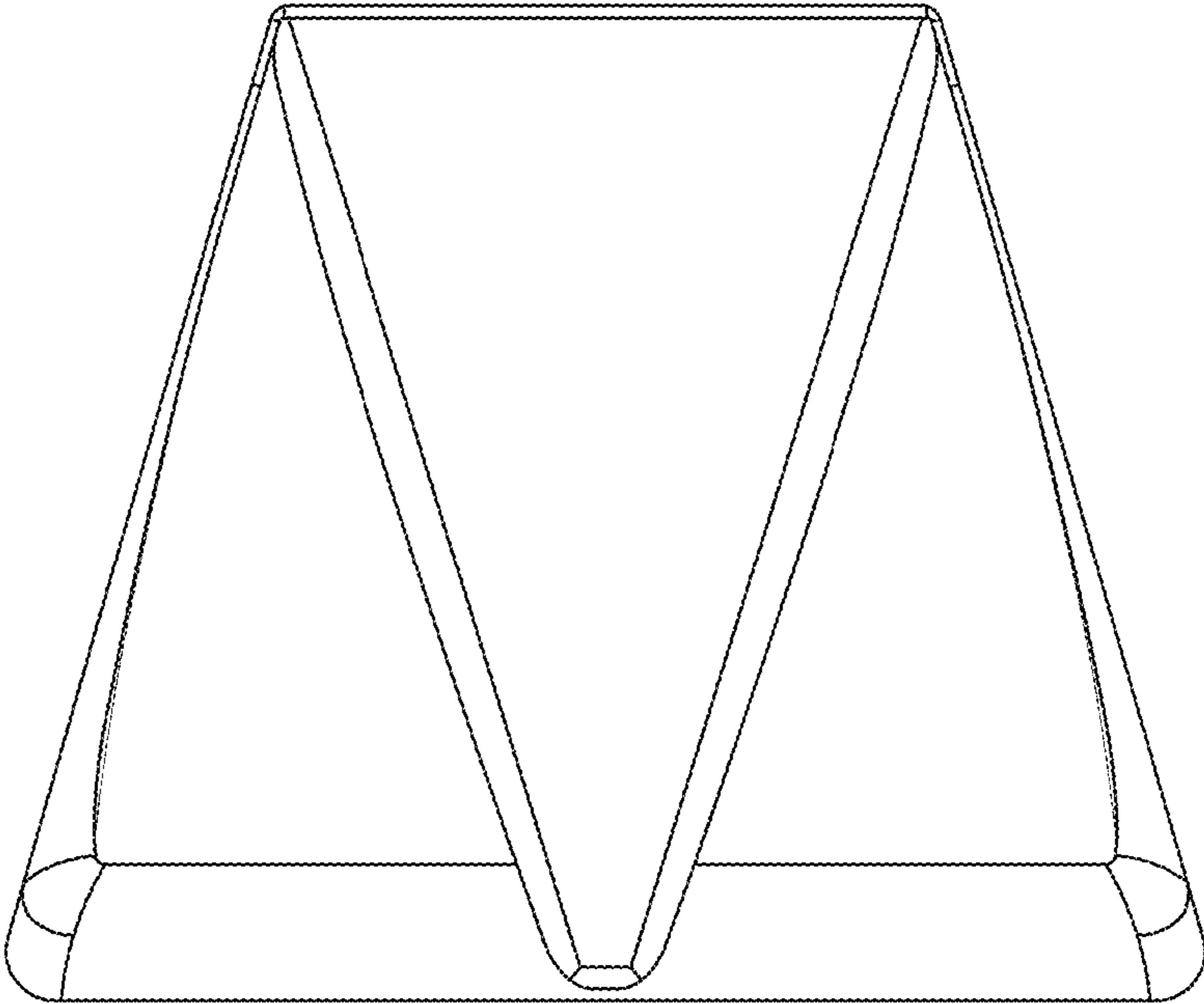


FIG. 4

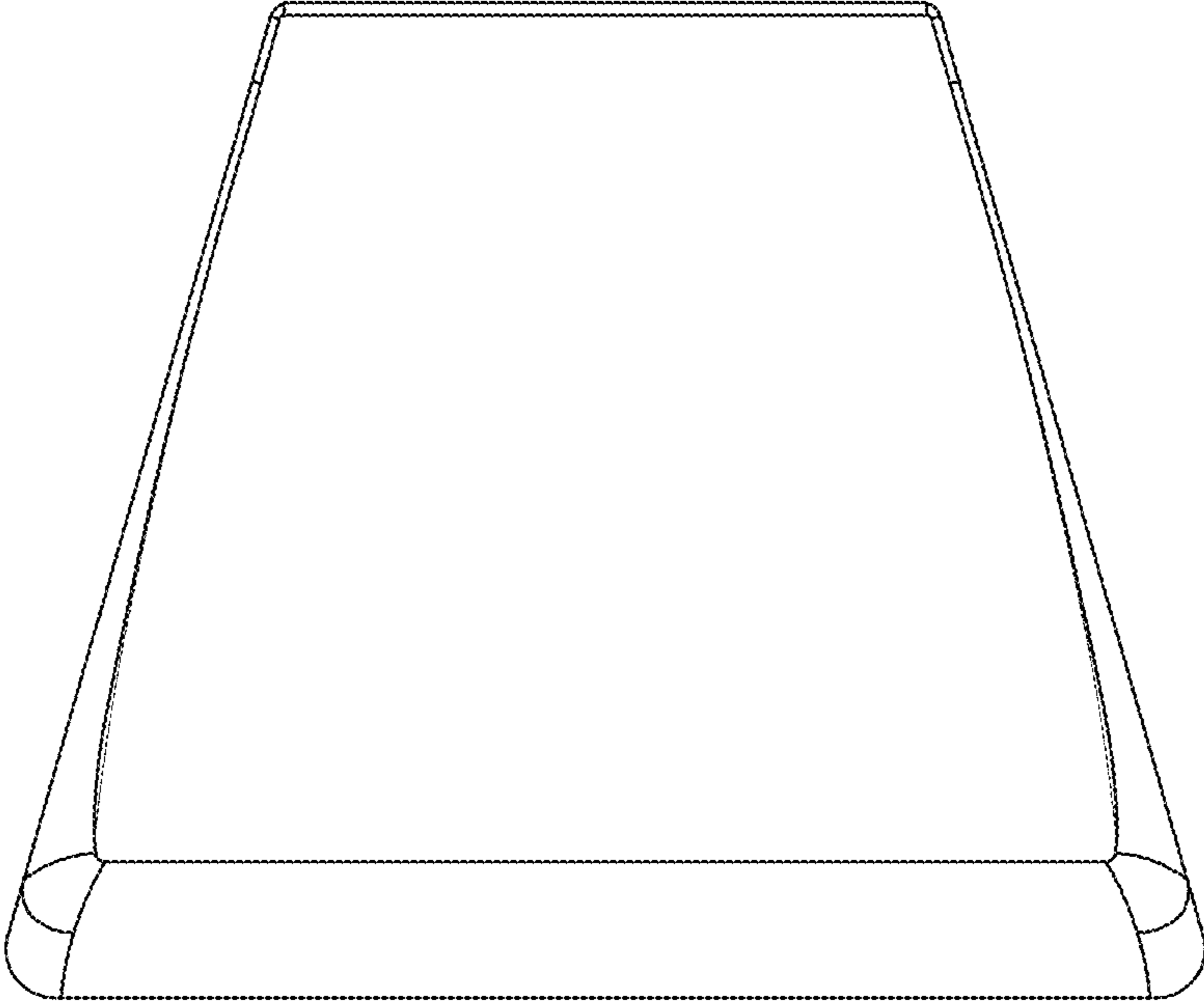


FIG. 5

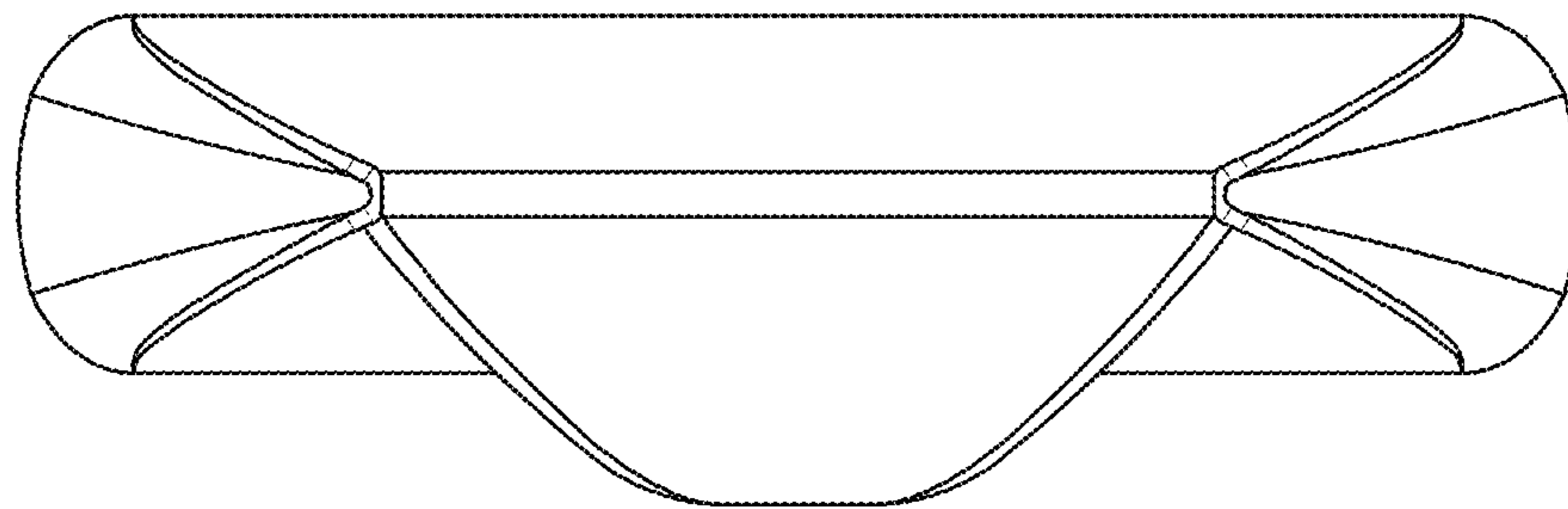


FIG. 6

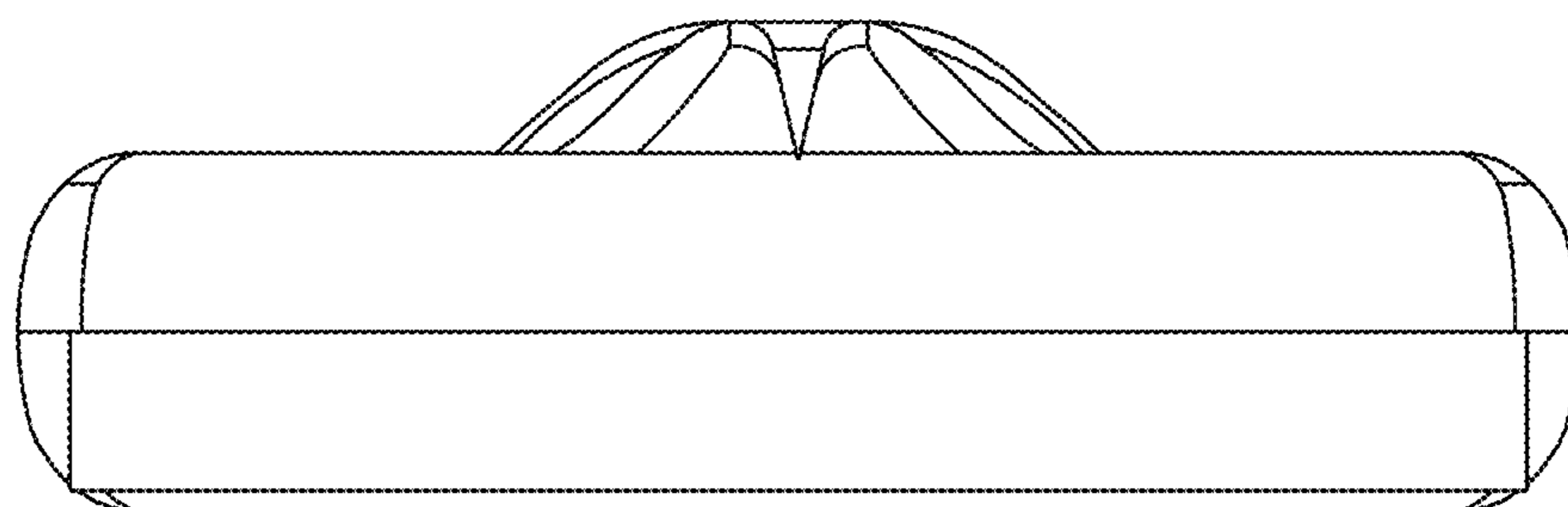


FIG. 7

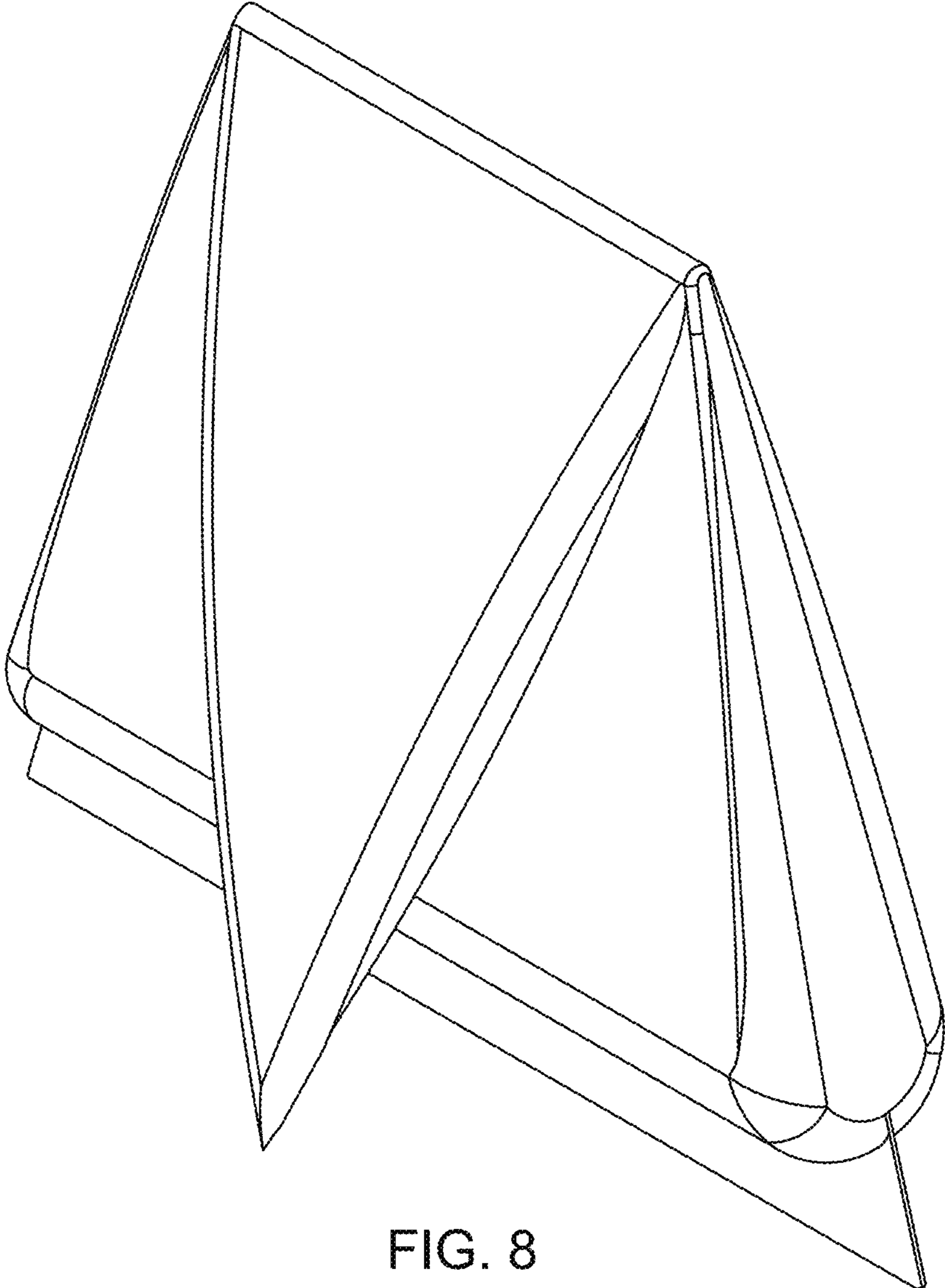


FIG. 8

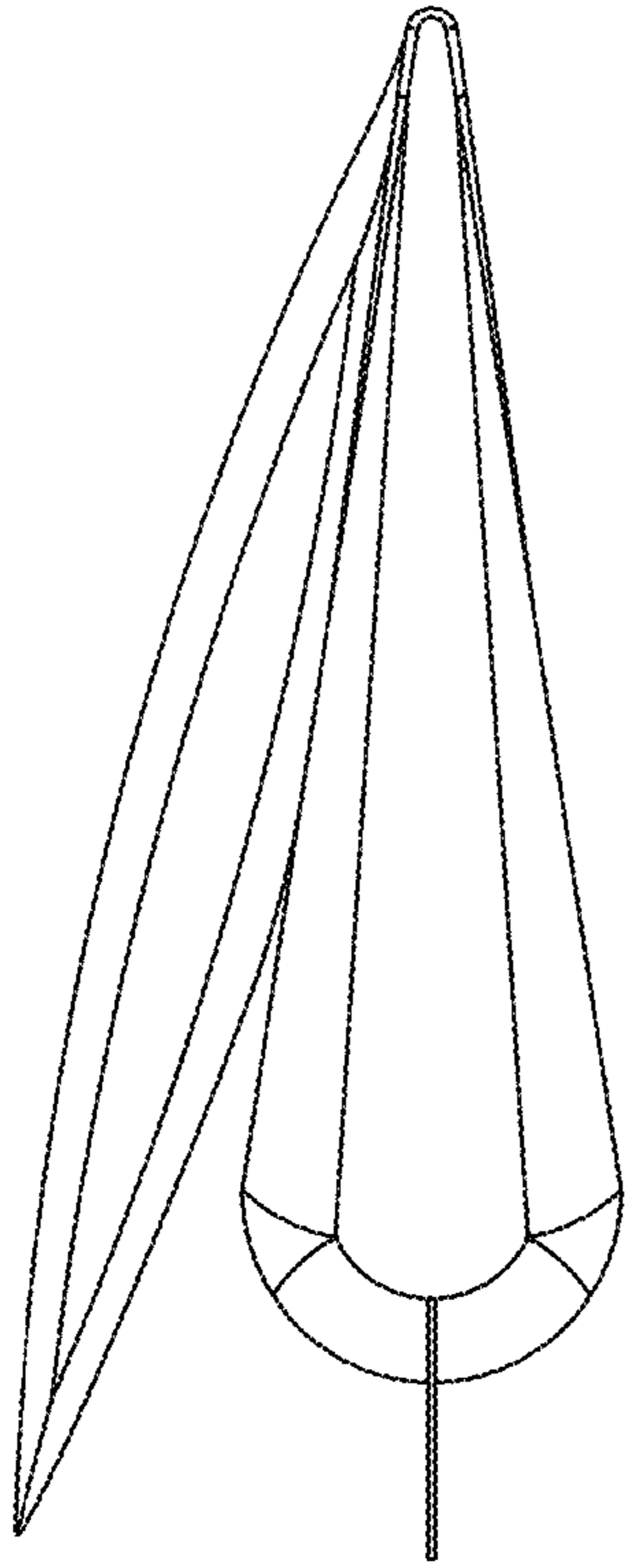


FIG. 9

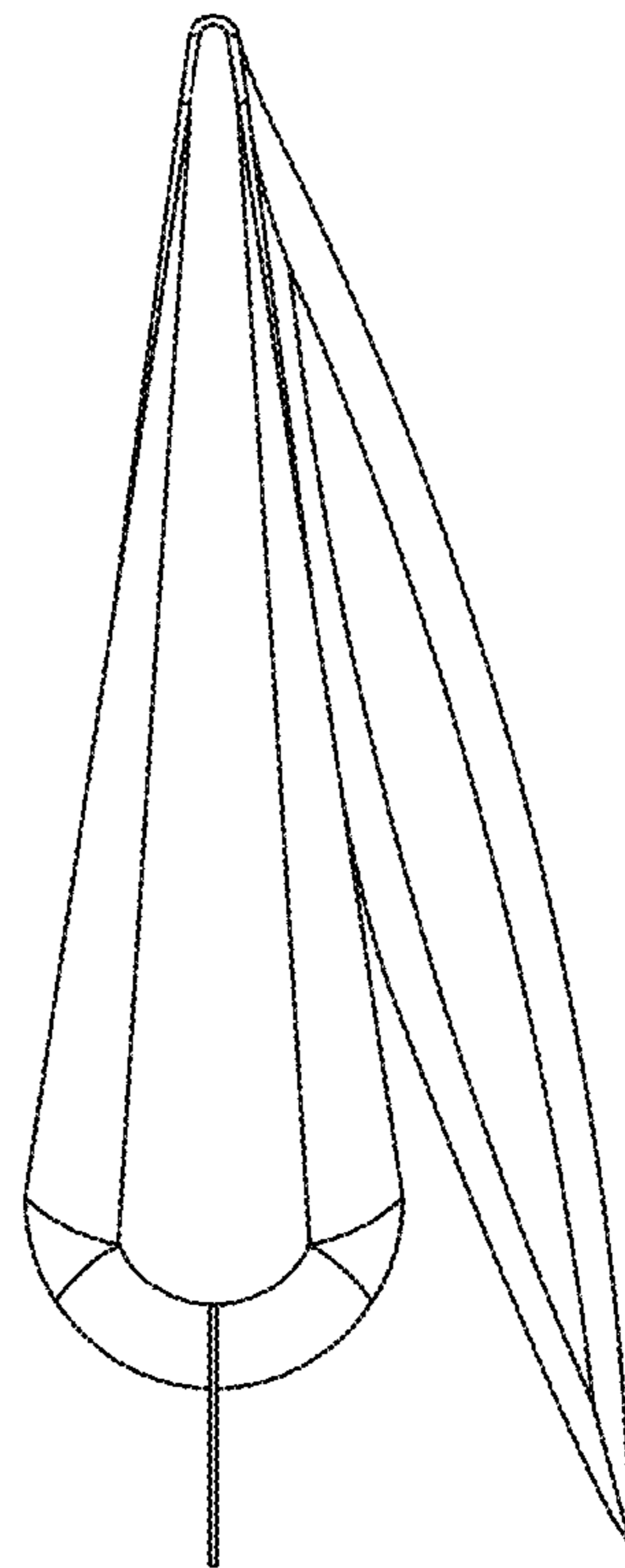


FIG. 10



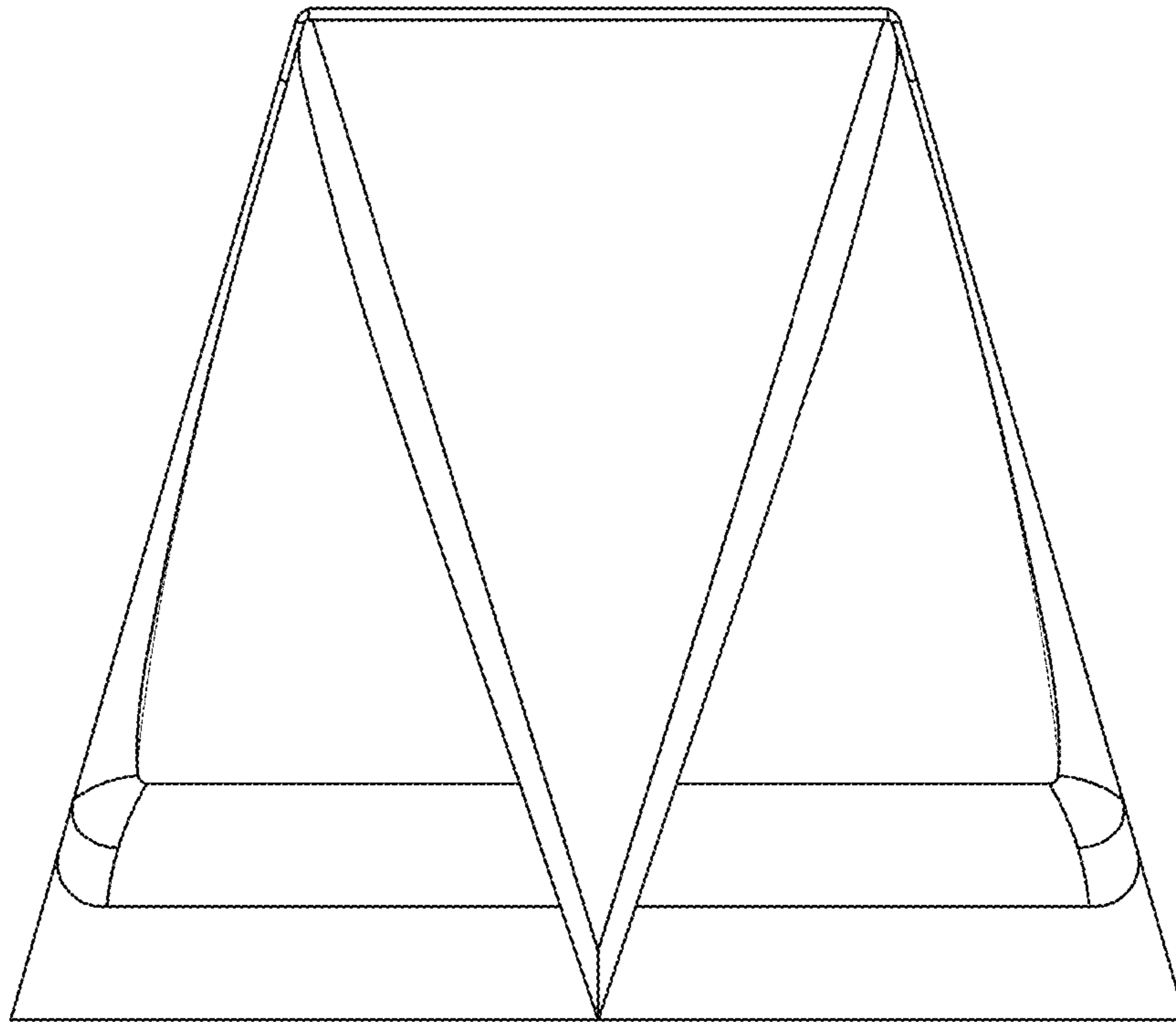


FIG. 11

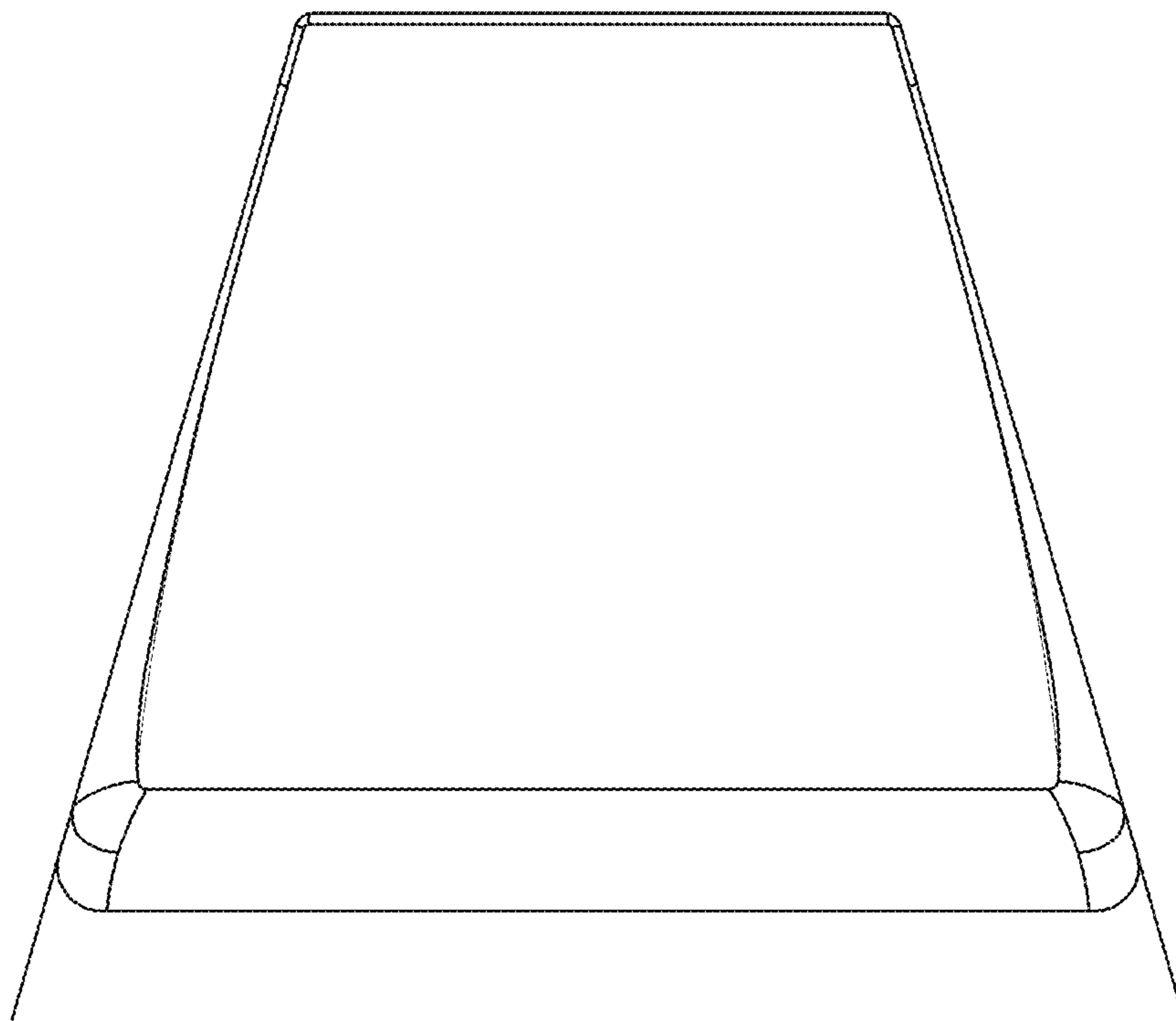


FIG. 12

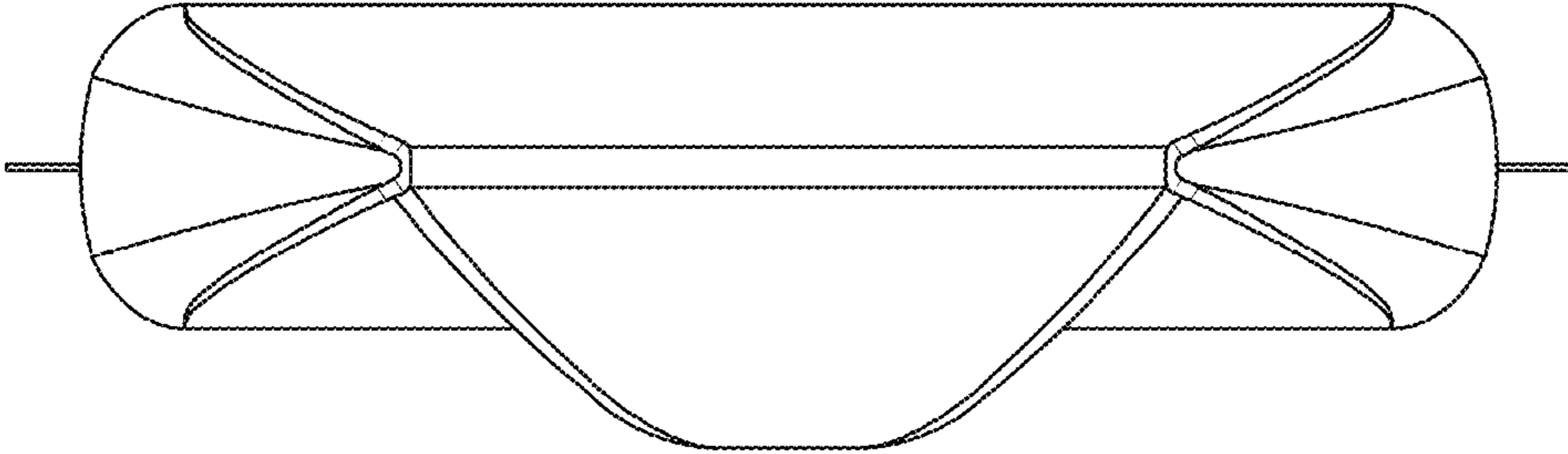


FIG. 13

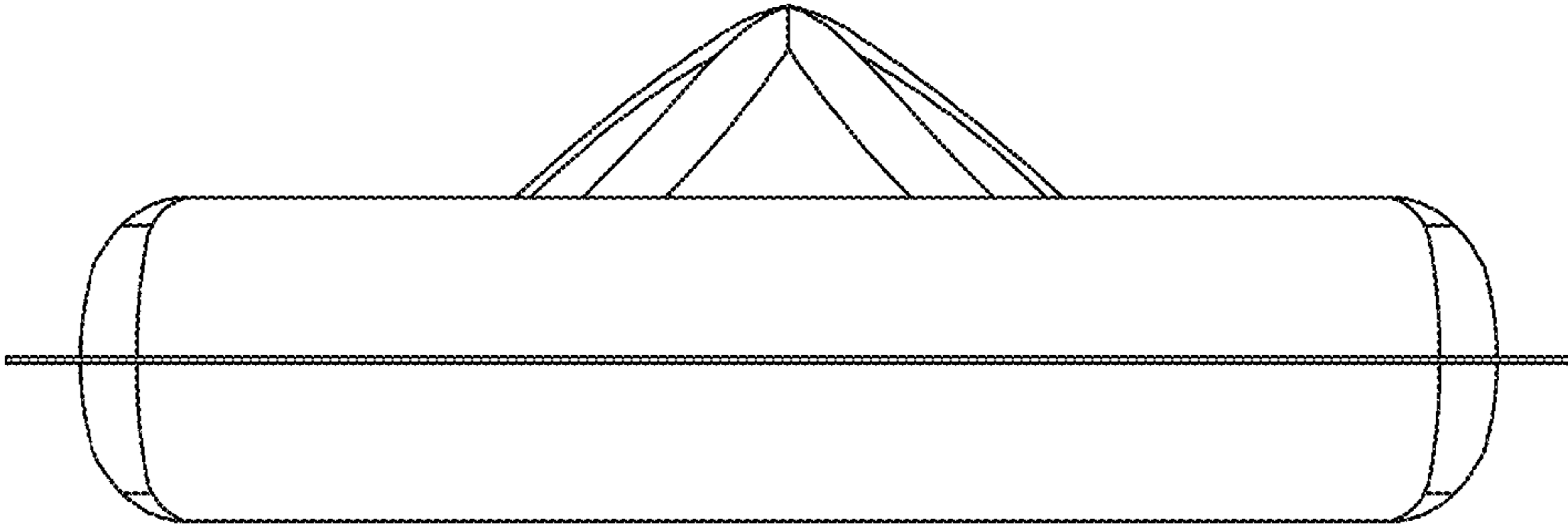


FIG. 14