



US00D771498S

(12) **United States Design Patent** (10) **Patent No.:** **US D771,498 S**
Robson (45) **Date of Patent:** **** Nov. 15, 2016**

(54) **CONTAINER**

(71) Applicant: **Michael Donald Robson**, Johannesburg (ZA)

(72) Inventor: **Michael Donald Robson**, Johannesburg (ZA)

(**) Term: **14 Years**

(21) Appl. No.: **29/518,305**

(22) Filed: **Feb. 23, 2015**

(30) **Foreign Application Priority Data**

Aug. 25, 2014 (EM) 002524264

(51) **LOC (10) Cl.** **09-01**

(52) **U.S. Cl.**
USPC **D9/564**; D9/572; D9/573

(58) **Field of Classification Search**
USPC D9/516, 530, 548, 560, 564, 572, 575,
D9/715, 719; D7/301, 302, 598, 619.1,
D7/619.2

CPC B65D 85/00; B65D 1/02; B65D 1/12;
B65D 1/18; B65D 1/20; B65D 21/0237
See application file for complete search history.

(56) **References Cited**

U.S. PATENT DOCUMENTS

D141,531 S * 6/1945 Williams D19/187
D164,473 S * 9/1951 Broes, Sr. D28/46
D269,248 S * 6/1983 Ziccardi D9/523
D276,412 S * 11/1984 Toomey D9/523
D289,612 S * 5/1987 Carlson D9/574
D293,209 S * 12/1987 Cahusak D9/523
D380,553 S * 7/1997 Riekkinen D24/224

D412,662 S * 8/1999 Giskeødegaard D9/636
D455,079 S * 4/2002 Kratko D9/520
D458,140 S * 6/2002 Hutchins D9/523
D472,975 S * 4/2003 Iori D24/216
D510,276 S * 10/2005 de France D9/566
D519,032 S * 4/2006 Abadinsky D9/522
D519,378 S * 4/2006 Abadinsky D9/522
D567,096 S * 4/2008 Toh D9/542
D584,632 S * 1/2009 Lloyd D9/544
D594,131 S * 6/2009 Nguyen D24/216
D606,415 S * 12/2009 Lavigne D9/434
D642,062 S * 7/2011 Adams D9/526
D653,549 S * 2/2012 Holtz D9/454
D659,543 S * 5/2012 Campbell D9/542
D739,258 S * 9/2015 Mai D9/543

* cited by examiner

Primary Examiner — Philip S Hyder

Assistant Examiner — Keith Frank

(74) *Attorney, Agent, or Firm* — Tutunjian & Bitetto, P.C.

(57) **CLAIM**

The ornamental design for a container, as shown and described.

DESCRIPTION

FIG. 1 is a perspective view of the container showing my new design;

FIG. 2 is a top view thereof;

FIG. 3 is a right side view thereof;

FIG. 4 is a rear view thereof;

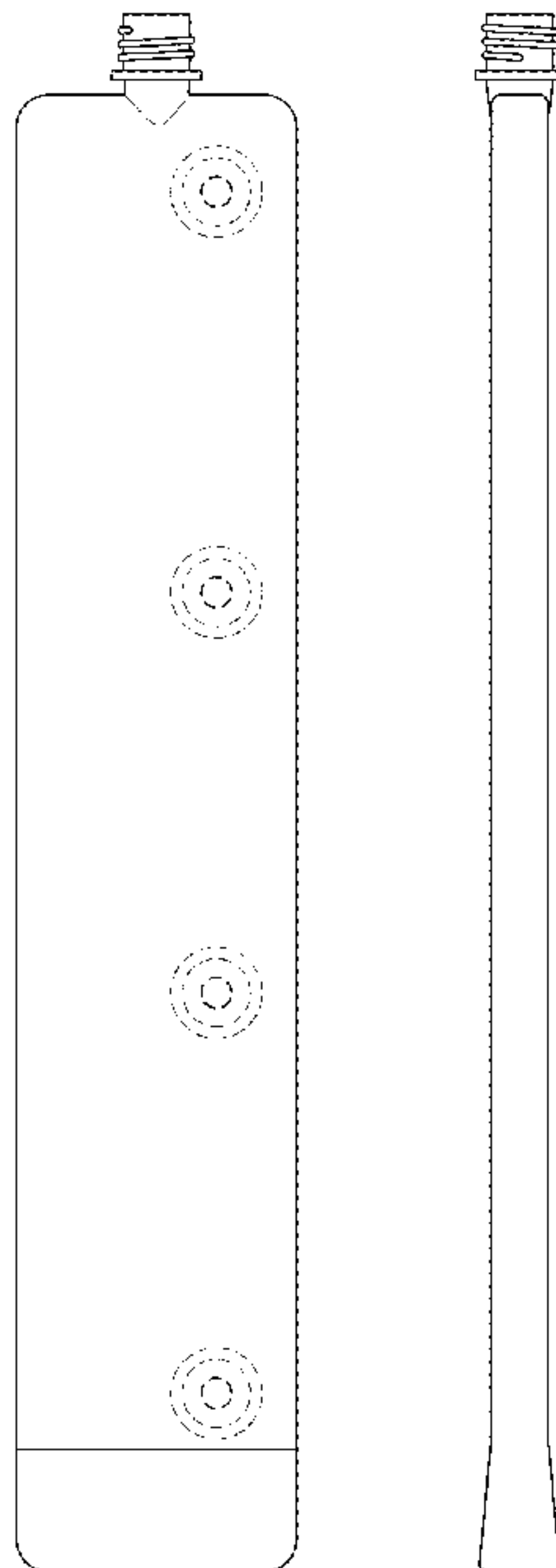
FIG. 5 is a bottom view thereof;

FIG. 6 is a left side view thereof; and,

FIG. 7 is a front view thereof.

The broken lines in the drawings illustrate the portions of the container that form no part of the claim.

1 Claim, 3 Drawing Sheets



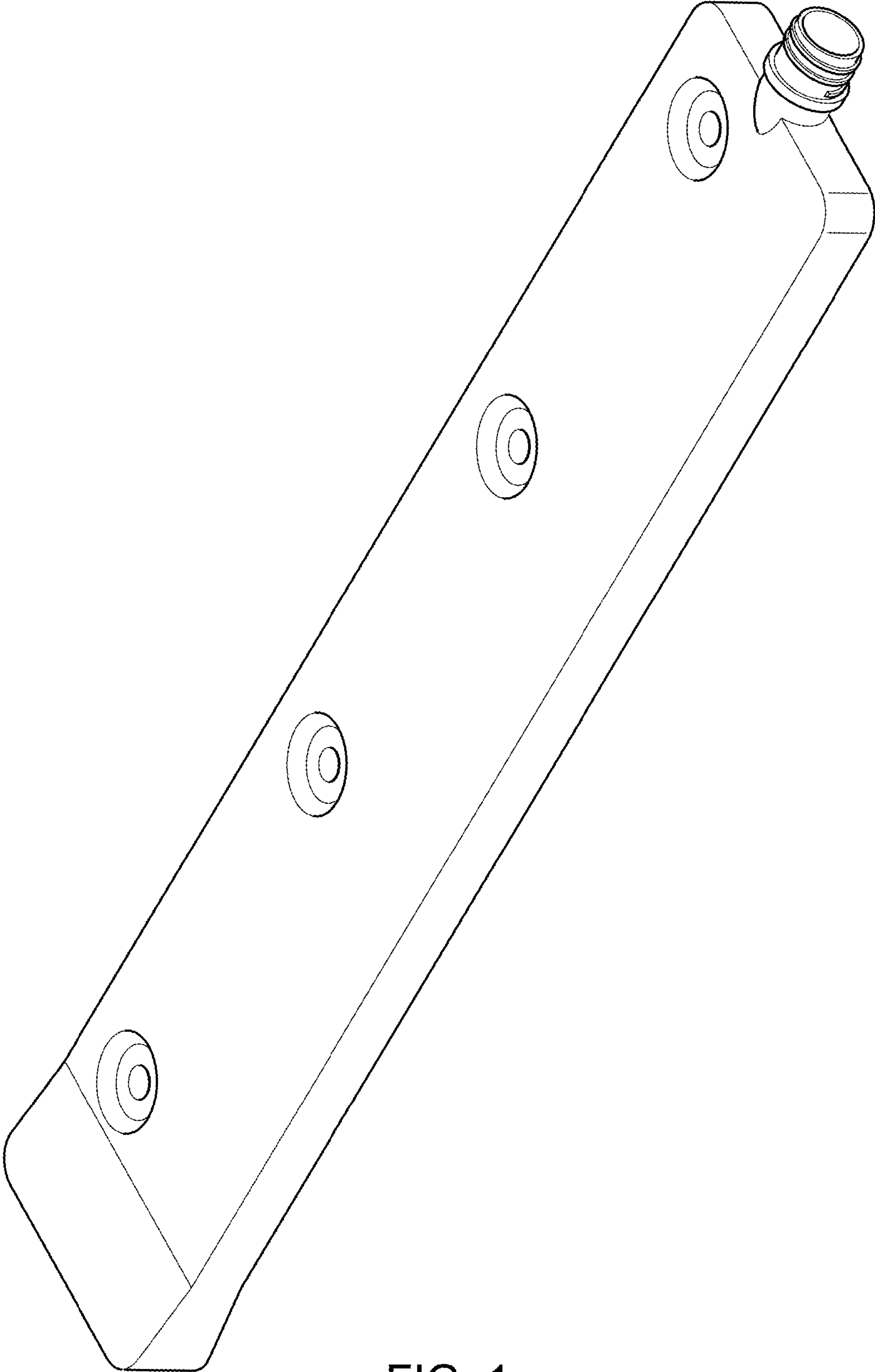


FIG. 1

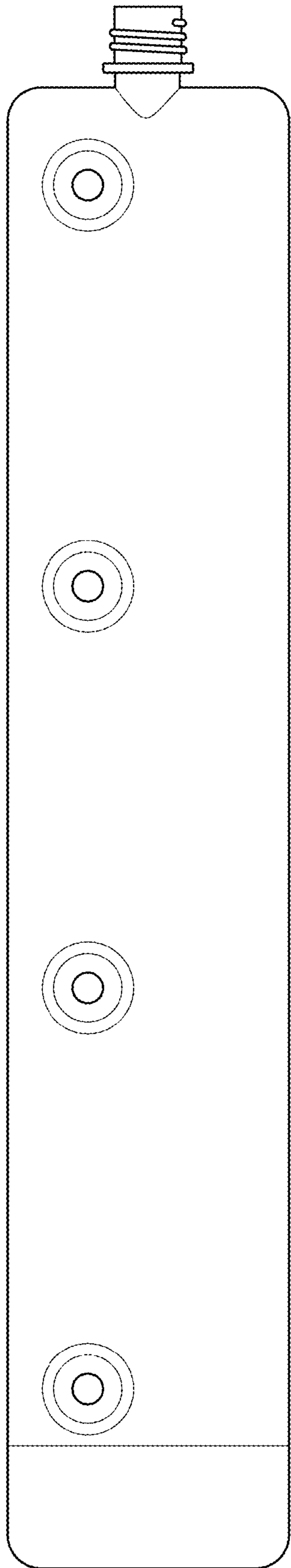


FIG. 2

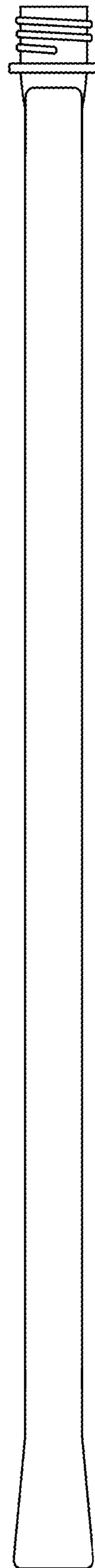


FIG. 3

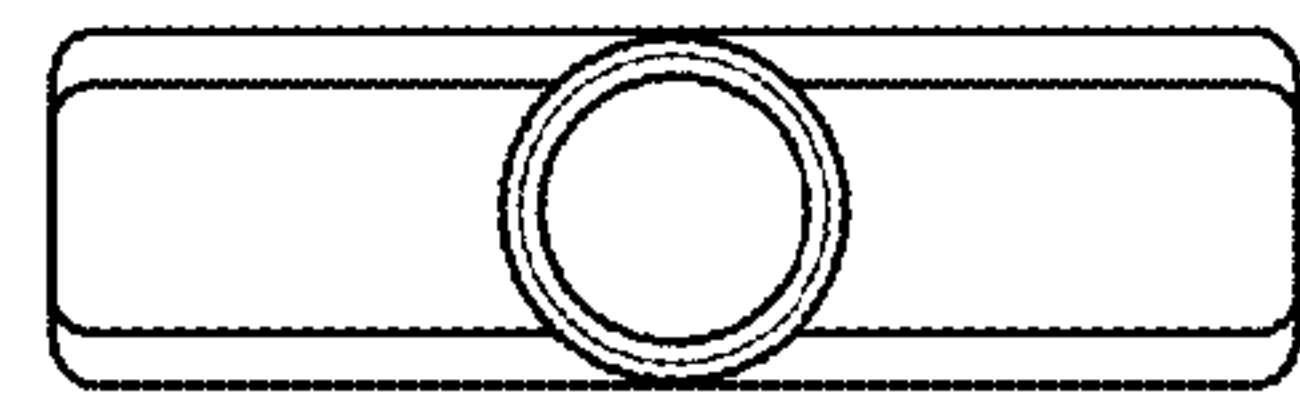


FIG. 4

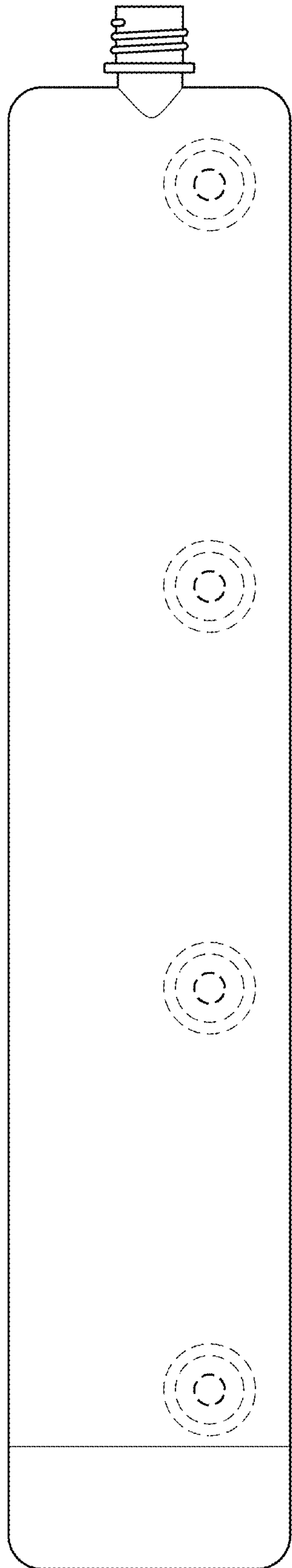


FIG. 5

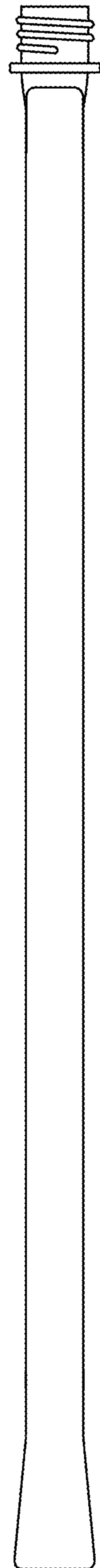


FIG. 6



FIG. 7