



US00D771496S

(12) **United States Design Patent** (10) **Patent No.:** **US D771,496 S**
Dilley et al. (45) **Date of Patent:** **** Nov. 15, 2016**

- (54) **CONTAINER**
- (71) Applicant: **Prestone Products Corporation**, Lake Forest, IL (US)
- (72) Inventors: **Colin Dilley**, Thomaston, CT (US); **Kathleen Villa**, Meriden, CT (US); **Russell Wright**, Oxford, CT (US)
- (73) Assignee: **Prestone Products Corporation**, Danbury, CT (US)
- (**) Term: **14 Years**
- (21) Appl. No.: **29/498,599**
- (22) Filed: **Aug. 5, 2014**

D286,982 S	12/1986	Durand	
D309,100 S	7/1990	Beaver	
D332,914 S	2/1993	Stephens	
D337,946 S	8/1993	Bridger	
D354,230 S	1/1995	Hoyt	
D354,916 S	1/1995	Park	
D373,956 S	9/1996	Terwilleger	
D375,255 S	11/1996	Uhl et al.	
D385,195 S	10/1997	Corwin	
5,918,753 A	7/1999	Ogg	
D412,837 S *	8/1999	Blackburn D9/667 X
D413,515 S	9/1999	Skolnicki et al.	
D420,594 S	2/2000	Weinstein et al.	
6,070,753 A	6/2000	Hirst	
D457,055 S *	5/2002	Ranchetti D9/557
D475,928 S	6/2003	Ferguson et al.	
D479,803 S	9/2003	Alguire et al.	

(Continued)

Related U.S. Application Data

- (62) Division of application No. 29/411,603, filed on Jan. 24, 2012, now Pat. No. Des. 726,019.
 - (51) **LOC (10) Cl.** **09-01**
 - (52) **U.S. Cl.**
USPC **D9/538**; D9/550; D9/552; D9/557
 - (58) **Field of Classification Search**
USPC D9/516, 538-540, 543, 550, 552, 557, D9/563, 565, 571-575, 667, 682-694; 215/379, 381-382, 384; 220/660, 662, 220/669
- See application file for complete search history.

References Cited

U.S. PATENT DOCUMENTS

D94,132 S	2/1935	Gibson
D111,031 S	8/1938	Rzadkowolski
D117,500 S	11/1939	Parker
D125,616 S	3/1941	Fuerst
D194,132 S	11/1962	Countryman
D194,559 S	2/1963	Rolley et al.
D205,967 S	10/1966	Platte

OTHER PUBLICATIONS

Office Action issued in U.S. Appl. No. 29/498,601 on Jun. 13, 2016.

Primary Examiner — Carol P Rademaker
(74) *Attorney, Agent, or Firm* — Gregory H. Zayia; Barnes & Thornburg LLP

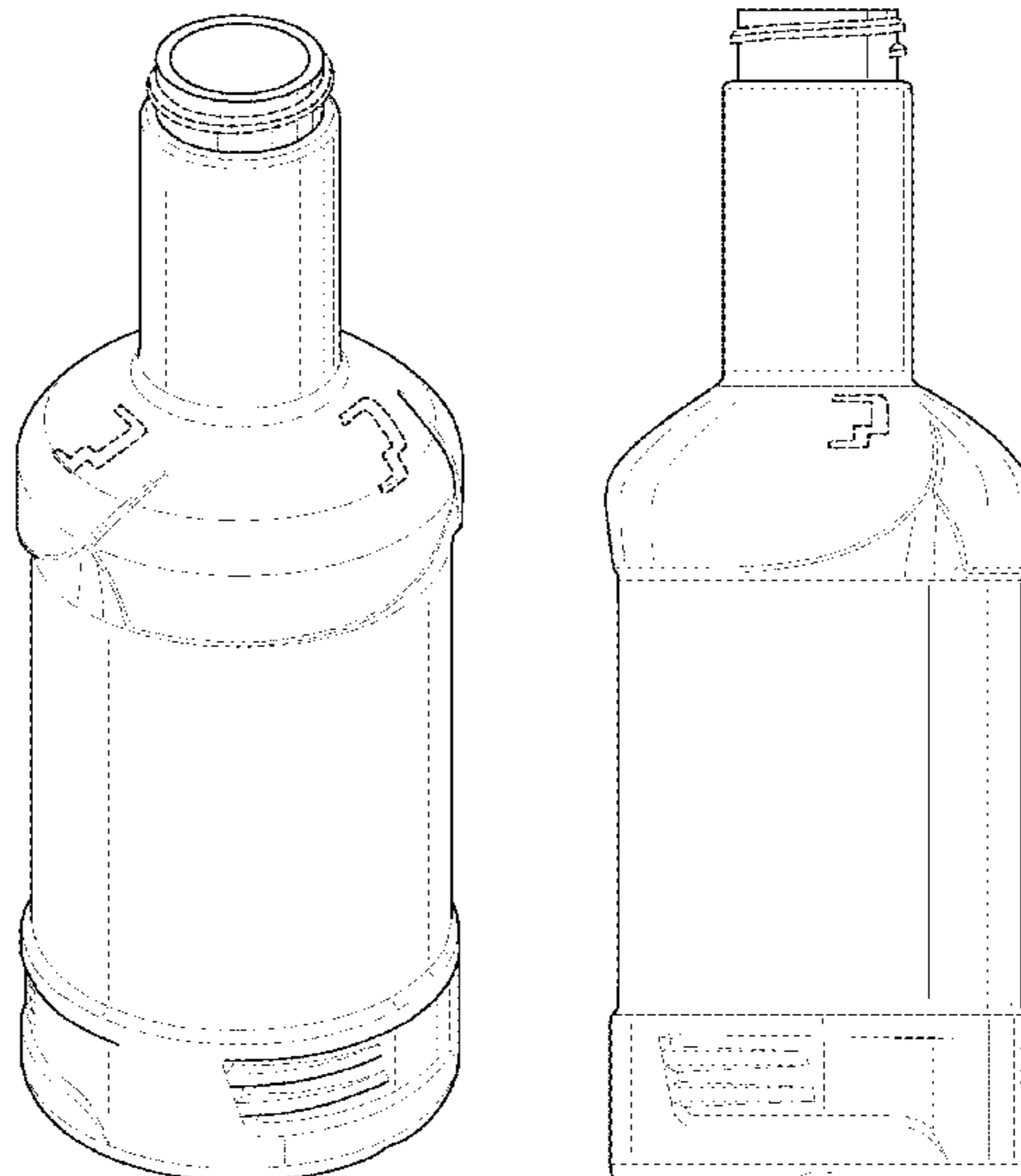
(57) **CLAIM**

We claim, the ornamental design for a container, as shown and described.

DESCRIPTION

FIG. 1 is a top, front, right side perspective view of a first embodiment of a container;
FIG. 2 is a front elevational view thereof;
FIG. 3 is a right side elevational view thereof;
FIG. 4 is a rear elevational view thereof; and,
FIG. 5 is a top plan view thereof.
The broken lines shown in the drawings are included for the purpose of illustrating environmental structure and form no part of the claimed design.

1 Claim, 5 Drawing Sheets



(56)

References Cited

U.S. PATENT DOCUMENTS

D485,186 S	1/2004	Wiper	
6,739,467 B2	5/2004	Saito	
D490,713 S	6/2004	Ferguson	
D491,809 S	6/2004	Silvers et al.	
D505,078 S	5/2005	Fischer et al.	
D510,870 S	10/2005	Kelly et al.	
6,964,347 B2	11/2005	Miura	
D523,345 S	6/2006	Kamineni	
D556,579 S	12/2007	Goto et al.	
D558,582 S	1/2008	Venkataraman et al.	
D562,686 S *	2/2008	Fukuda	D9/516 X
D565,415 S	4/2008	Lablaine	
D571,216 S	6/2008	Christian et al.	
D577,588 S	9/2008	Yourist	
D582,778 S	12/2008	Burson	
D600,564 S	9/2009	da Barp	
D601,031 S	9/2009	Martinez et al.	
D613,172 S	4/2010	Masters et al.	
D617,651 S *	6/2010	Coppola	D9/557 X
D619,010 S	7/2010	Wasson et al.	
D628,074 S	11/2010	Mero et al.	
D631,360 S	1/2011	Van Westreenen	
D635,029 S	3/2011	Warren	
D643,723 S	8/2011	Snyder et al.	
D650,283 S	12/2011	Masters et al.	
D651,093 S	12/2011	Van Rens	
D652,724 S	1/2012	Snyder	
D652,726 S	1/2012	Snyder	
D653,115 S	1/2012	Yourist	
D669,786 S	10/2012	McMillian	
D673,456 S	1/2013	Masters et al.	
D685,640 S	7/2013	Laurita	
D691,053 S	10/2013	Garcia	
D691,894 S *	10/2013	Marshall	D9/558 X
D695,119 S	12/2013	Masters et al.	
D696,119 S	12/2013	Evans	
D703,540 S	4/2014	Yourist et al.	
D711,246 S	8/2014	Hanson et al.	
D715,654 S *	10/2014	Fitts	D9/552 X
D719,832 S *	12/2014	Dilley	D9/552 X
D732,962 S	6/2015	Hawry	
D741,714 S *	10/2015	Llewellyn	D9/540 X
D747,205 S	1/2016	Schlott	
D747,206 S	1/2016	Welter	

* cited by examiner

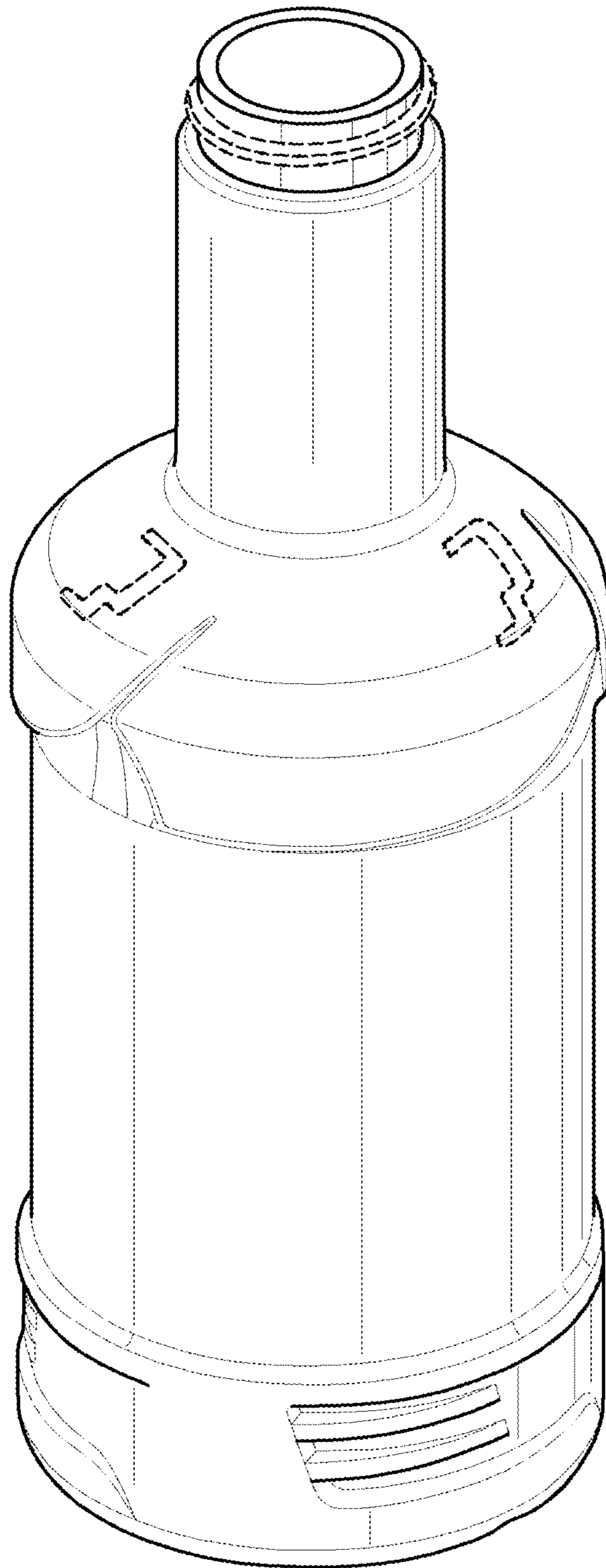


FIG. 1

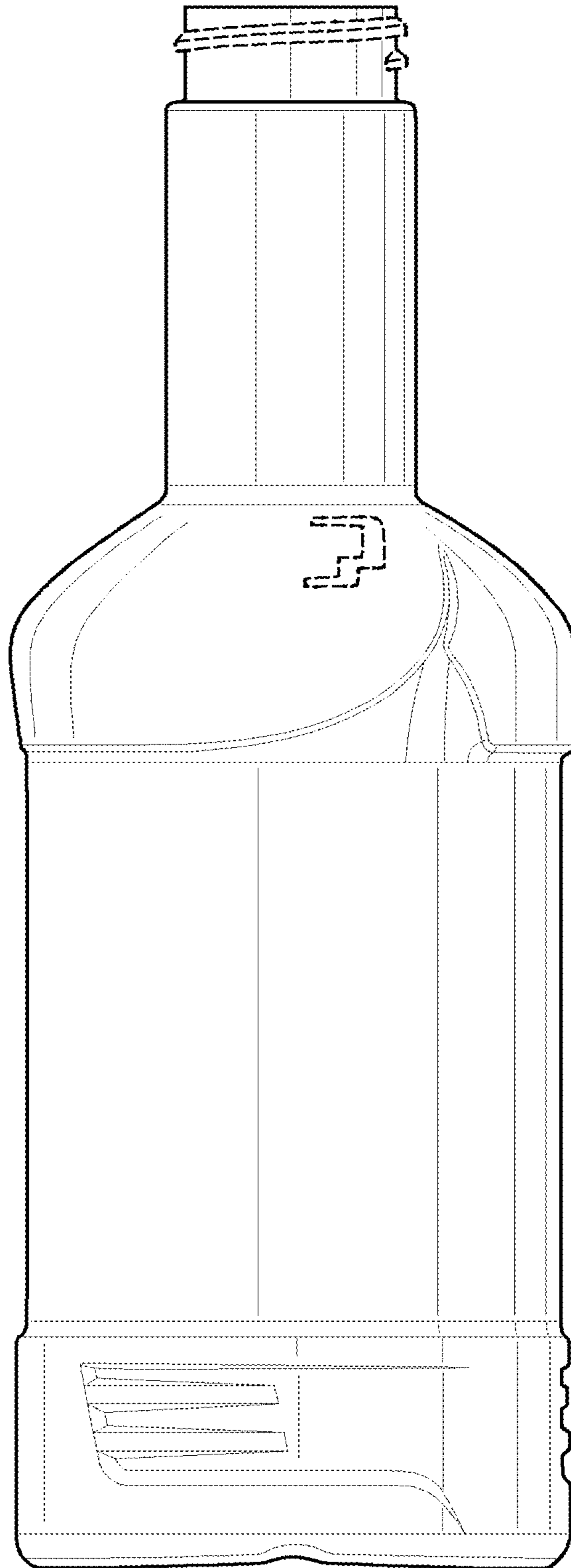


FIG. 2

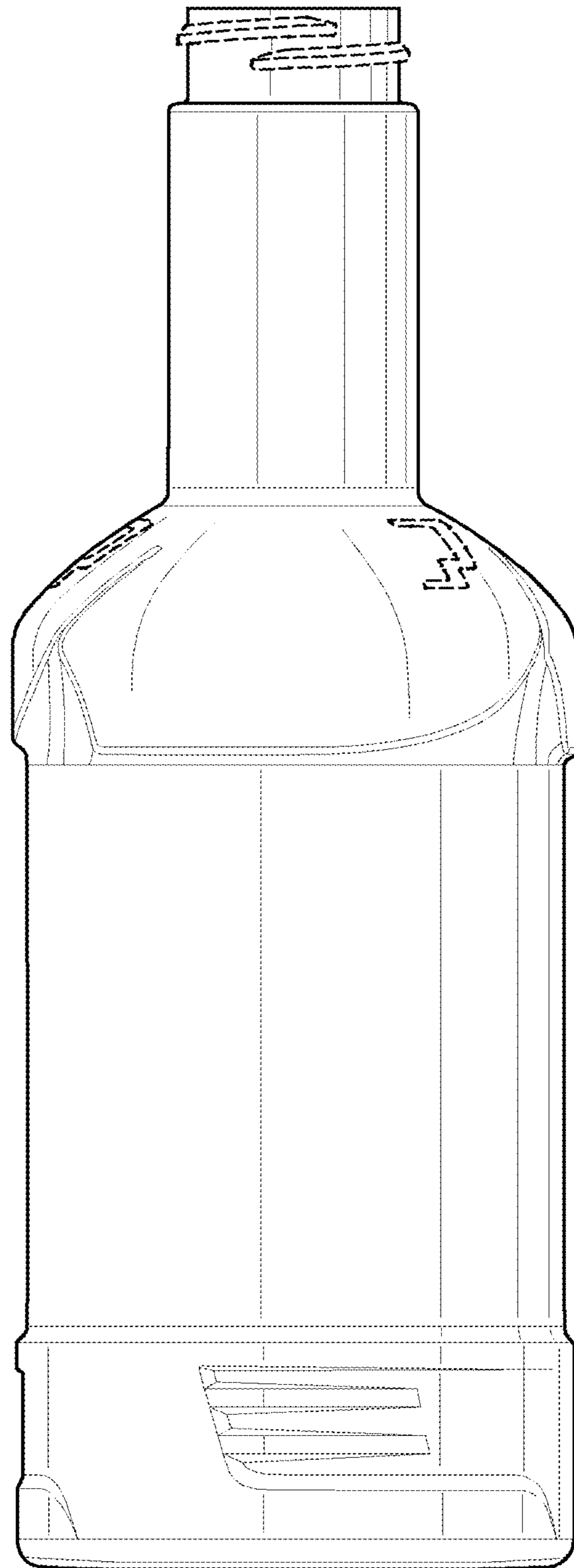


FIG. 3

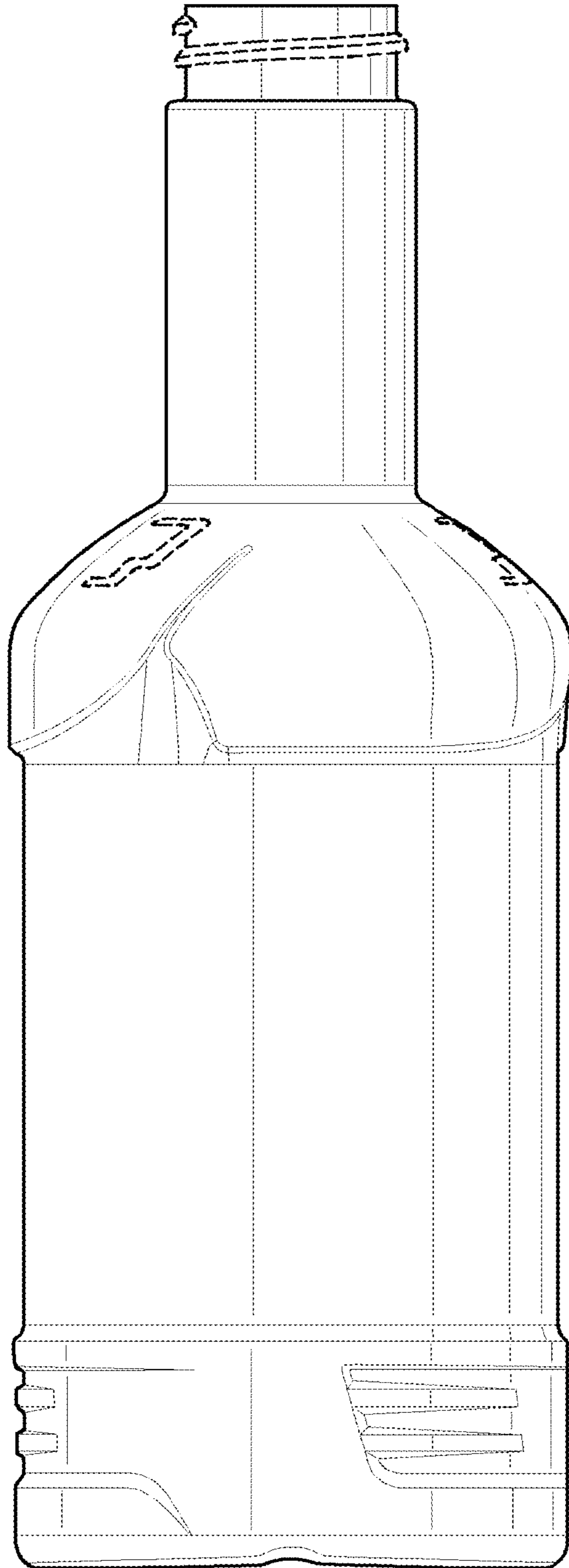


FIG. 4

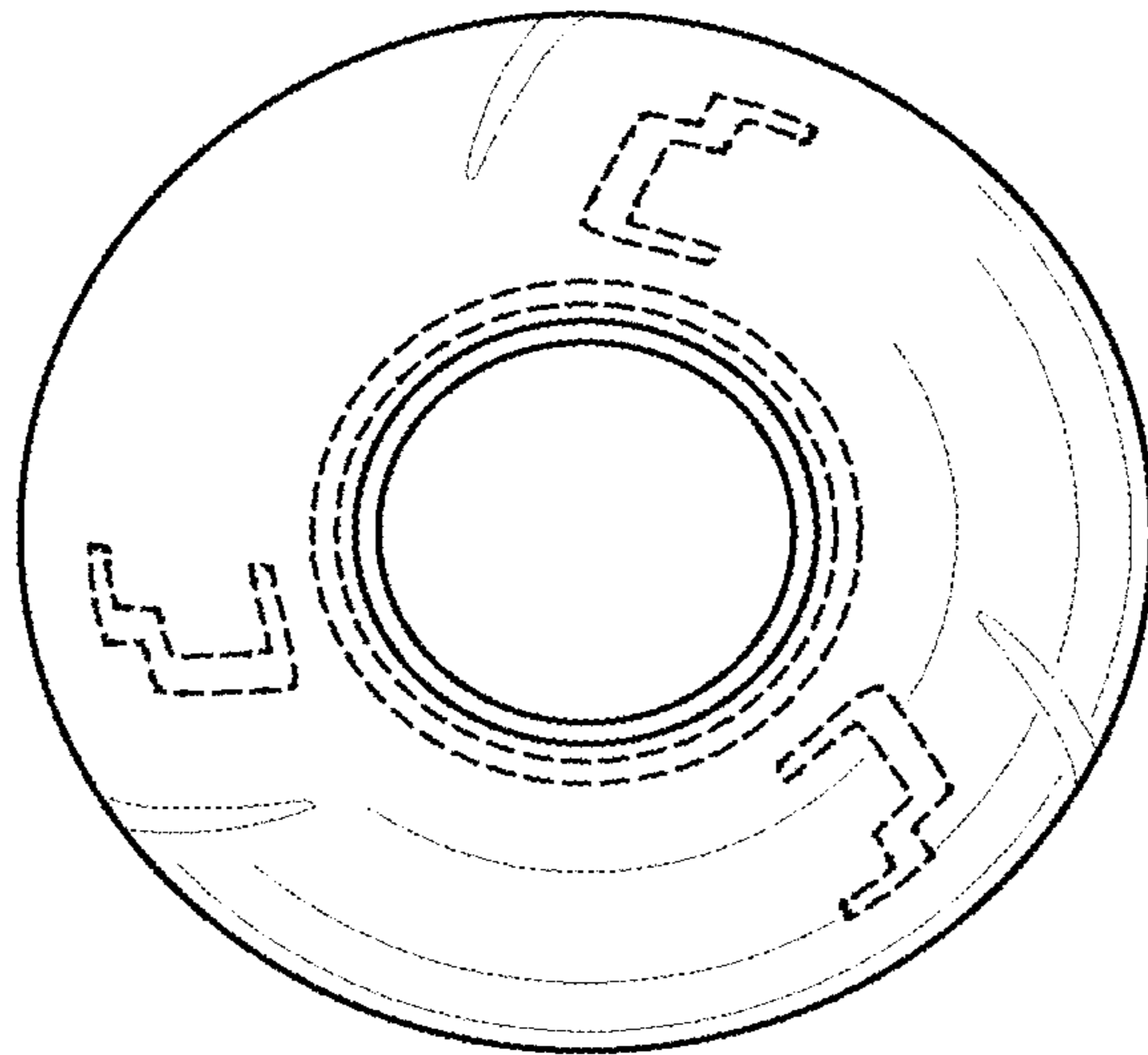


FIG. 5