



US00D771495S

(12) **United States Design Patent** (10) **Patent No.:** **US D771,495 S**
Buogo et al. (45) **Date of Patent:** **** Nov. 15, 2016**

(54) **JAR WITH LID**

(56) **References Cited**

(71) Applicant: **Reckitt Benckiser (Brands) Limited**,
Berkshire (GB)

U.S. PATENT DOCUMENTS

(72) Inventors: **Alberto Buogo**, Berkshire (GB);
Richard Clough, Warwick (GB);
Samuel Guo, Guangdong (CN)

D480,000 S *	9/2003	Hirato	D9/504
D504,615 S *	5/2005	Papiernik	D9/519
D579,776 S *	11/2008	Hirato	D9/504
D624,426 S *	9/2010	Currington	D9/435
D627,650 S *	11/2010	Yeung	D28/9
D650,280 S *	12/2011	de Peyerimhoff	D9/454
D651,903 S *	1/2012	Teller	D9/521
D655,168 S *	3/2012	In	D9/504
D660,711 S *	5/2012	Watabe	D9/529
D664,853 S *	8/2012	Kipry	D28/73

(73) Assignee: **RECKITT BENCKISER (BRANDS) LIMITED**, Berkshire (GB)

(**) Term: **14 Years**

* cited by examiner

(21) Appl. No.: **29/509,629**

Primary Examiner — Derrick Holland

(22) Filed: **Nov. 19, 2014**

Assistant Examiner — Janice Lim

(30) **Foreign Application Priority Data**

(74) *Attorney, Agent, or Firm* — Troutman Sanders LLP;
Ryan A. Schneider; Chris N. Davis

May 21, 2014 (EM) 002468355-0001

(51) **LOC (10) Cl.** **09-01**

(57) **CLAIM**

The ornamental design for a jar with lid, as shown and described.

(52) **U.S. Cl.**

USPC **D9/519**; D9/529

DESCRIPTION

(58) **Field of Classification Search**

USPC D9/519, 529, 530, 535–537, 549, 558,
D9/574; D28/76, 82, 91; 215/206, 220,
215/222, 660, 675, 669–673; 222/548;
239/58; 392/392, 394
CPC A47K 10/421; B65D 1/10; B65D 1/26;
B65D 1/30; B65D 1/40; B65D 11/02; B65D
21/086; B65D 6/28; B65D 77/2024; B65D
85/72

FIG. 1 is a perspective view of a jar with lid of the present invention;

FIG. 2 is a front view of the jar with lid of FIG. 1;

FIG. 3 is a back view of the jar with lid of FIG. 1;

FIG. 4 is a side view of the jar with lid of FIG. 1;

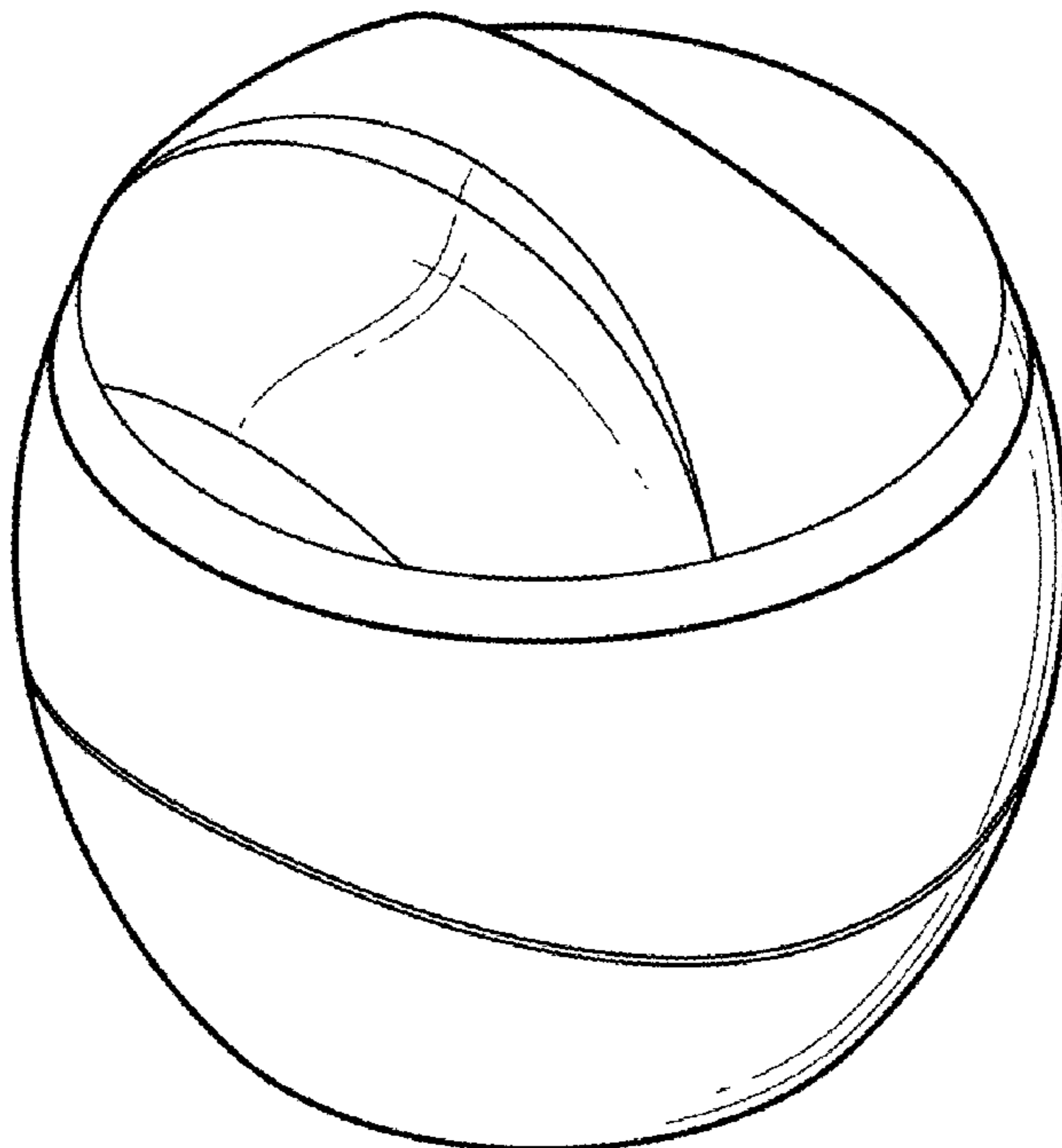
FIG. 5 is an opposite side view of the jar with lid of FIG. 1;

FIG. 6 is a top plan view of the jar with lid of FIG. 1; and,

FIG. 7 is a bottom plan view of the jar with lid of FIG. 1.

See application file for complete search history.

1 Claim, 7 Drawing Sheets



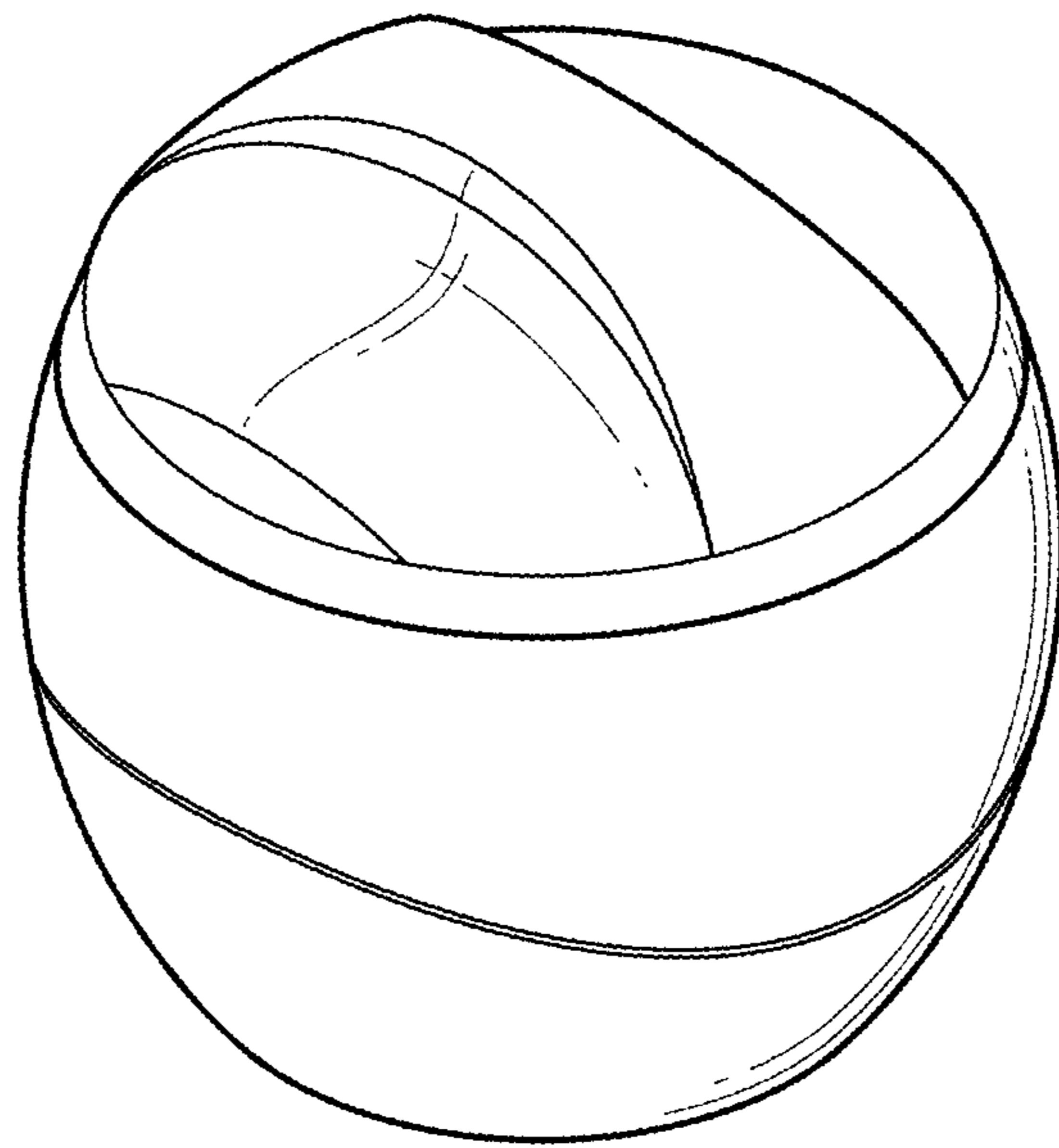


Fig. 1

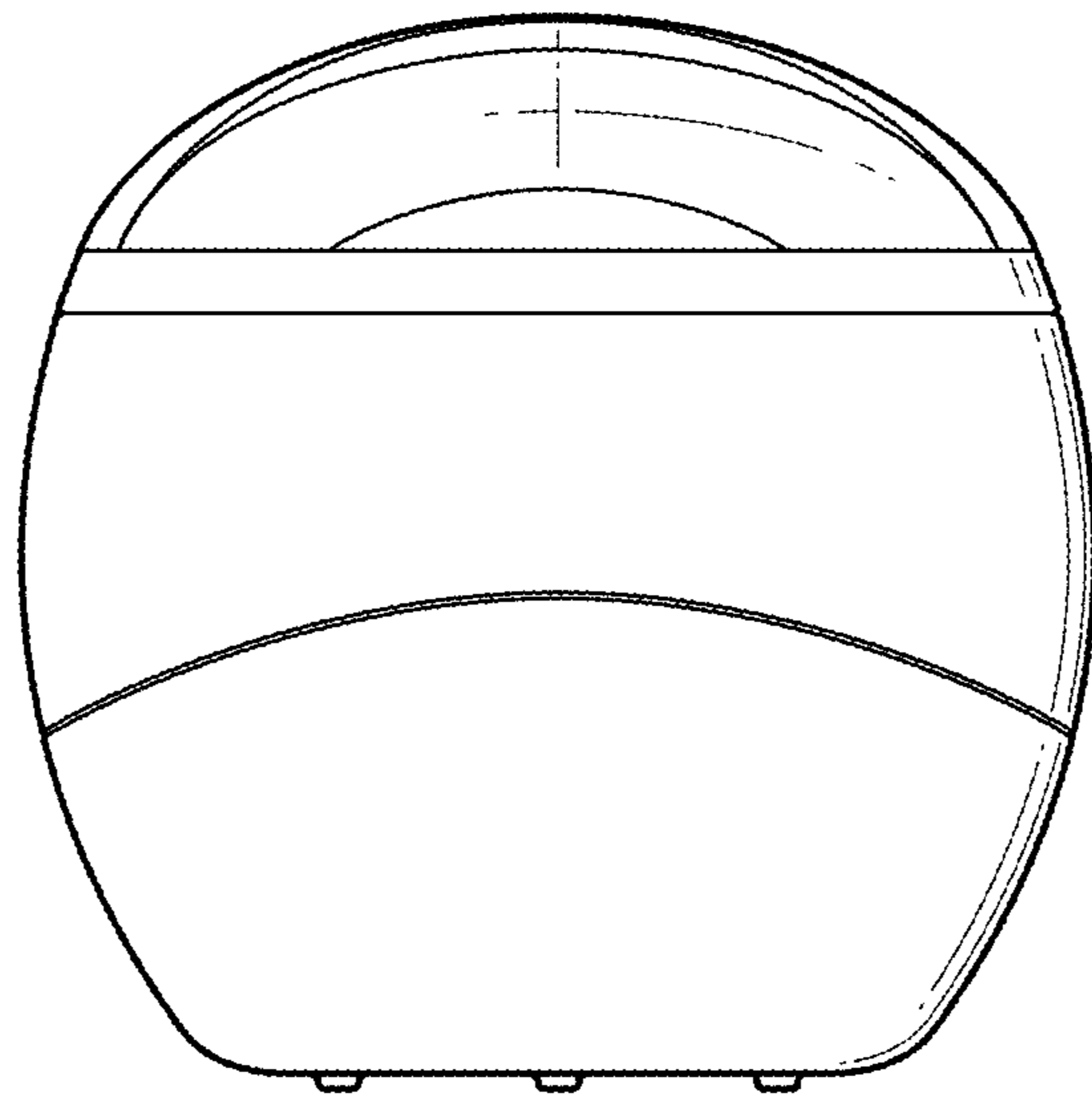


Fig. 2

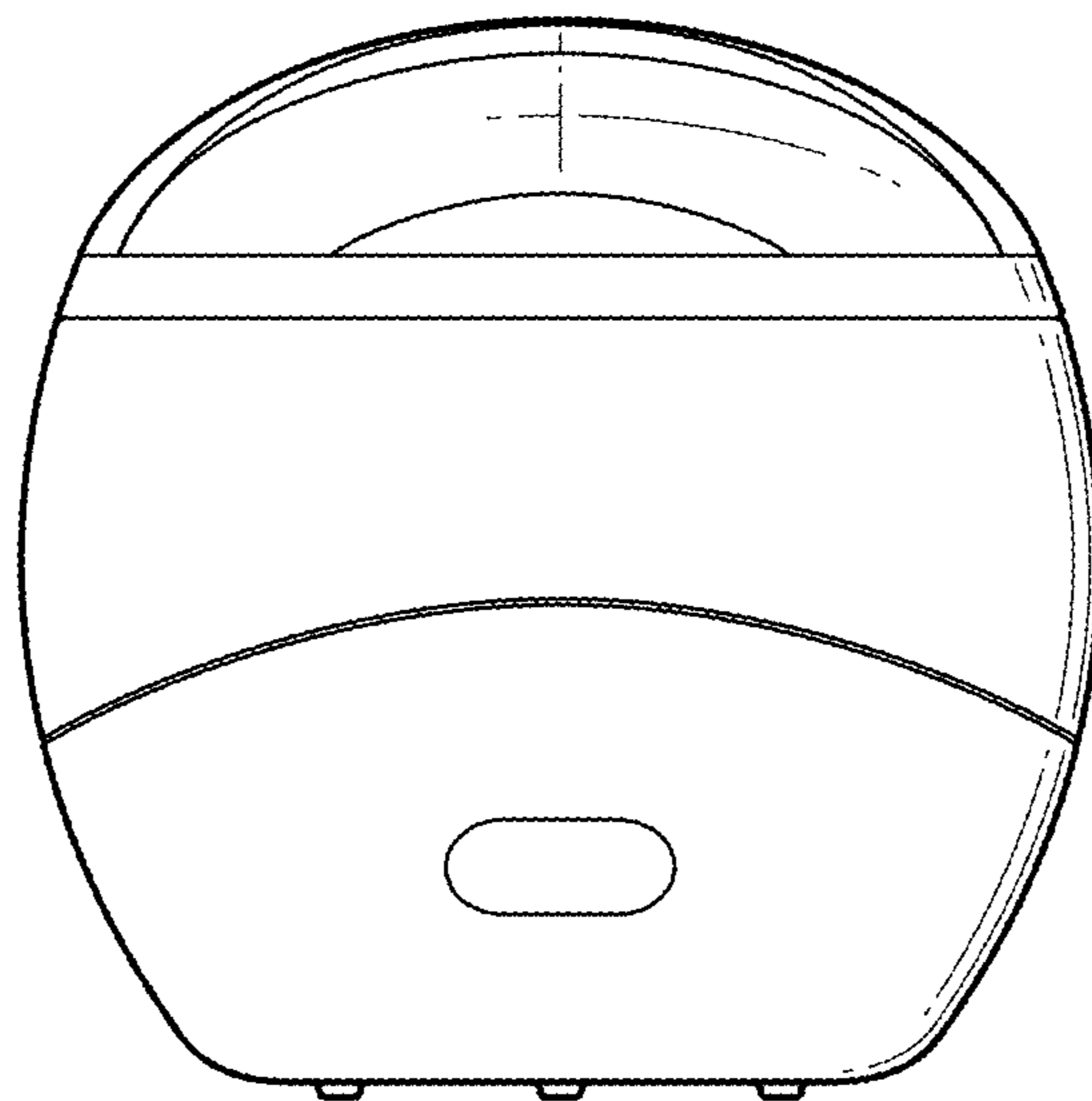


Fig. 3

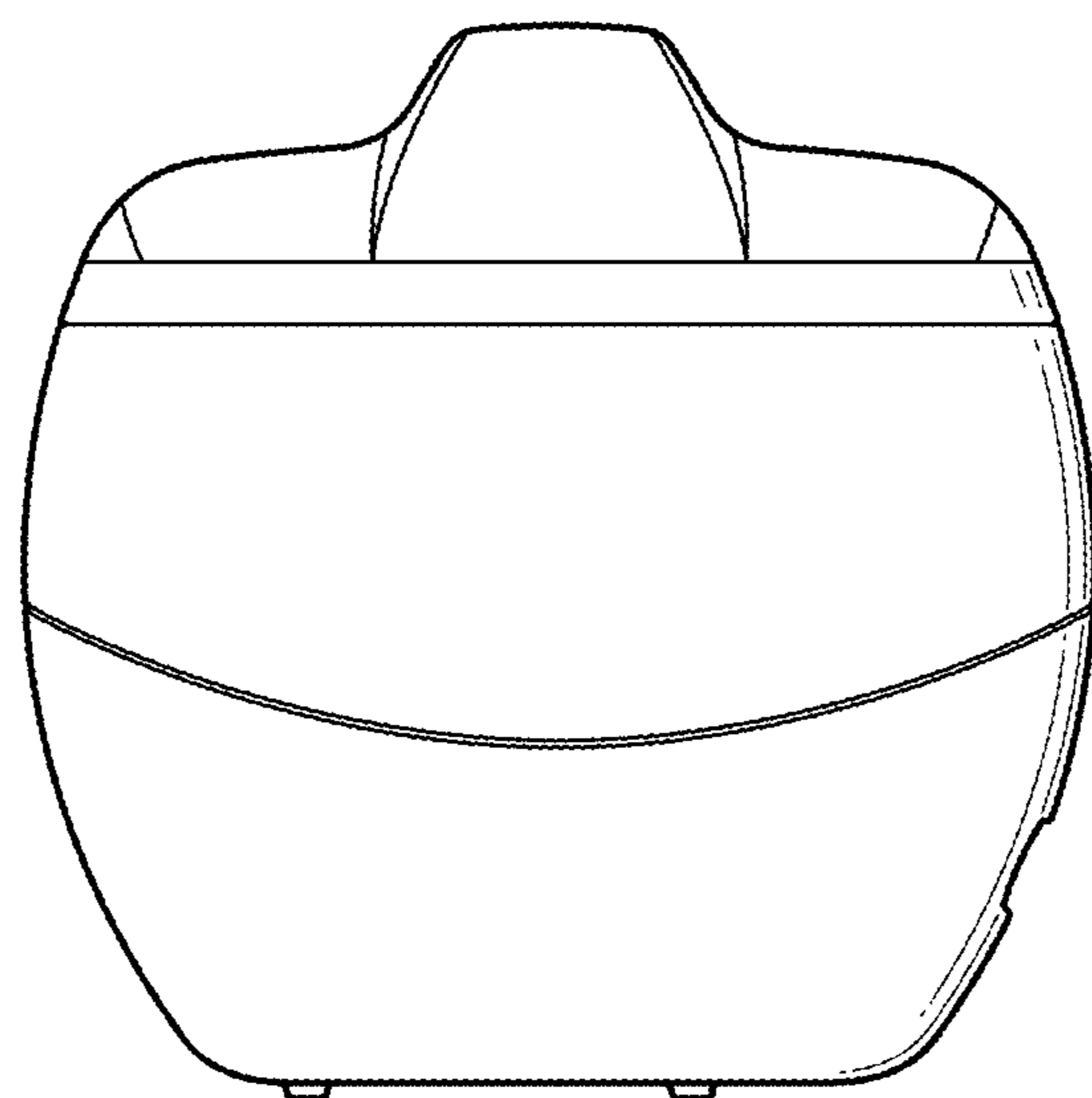


Fig. 4

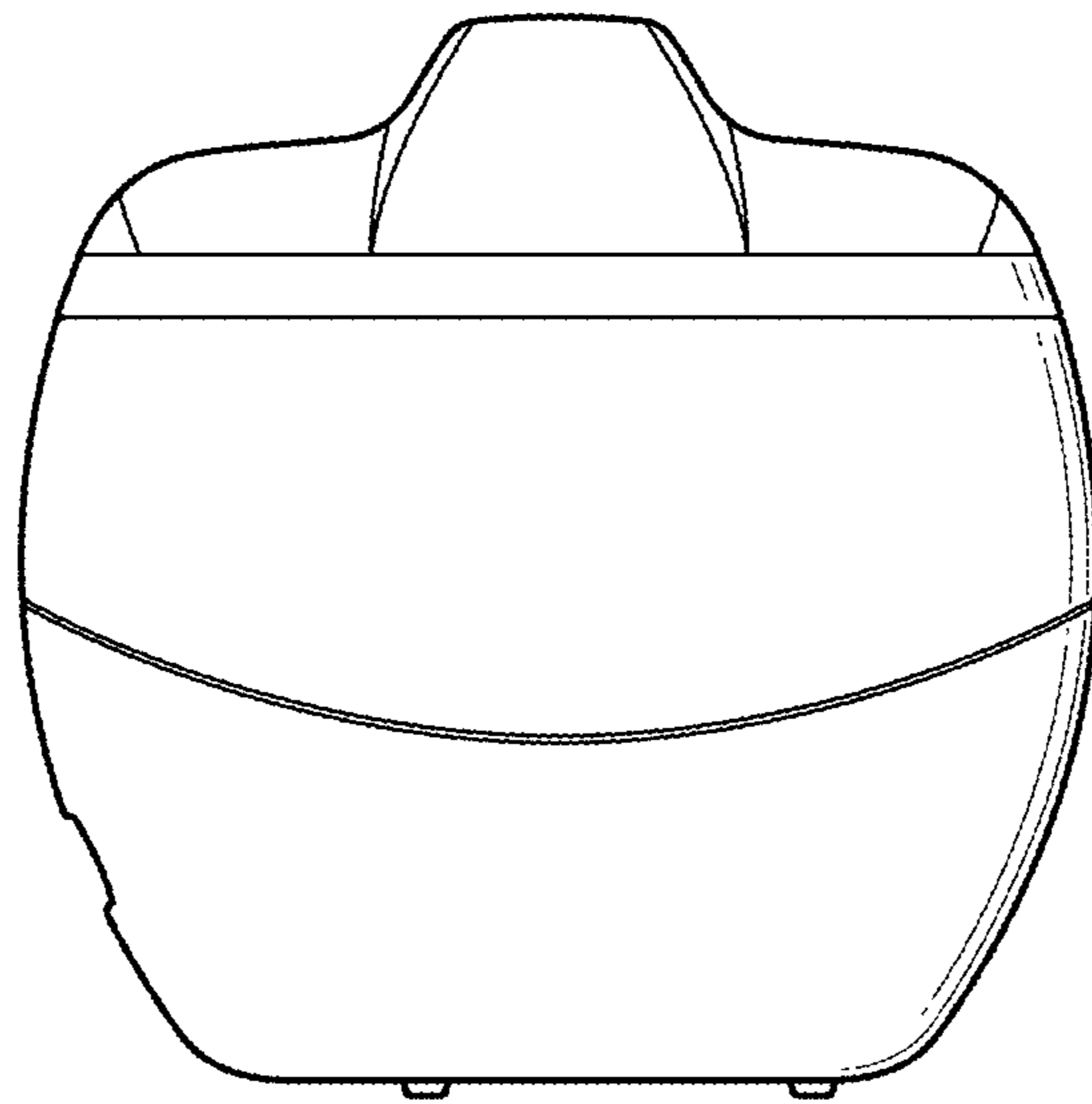


Fig. 5

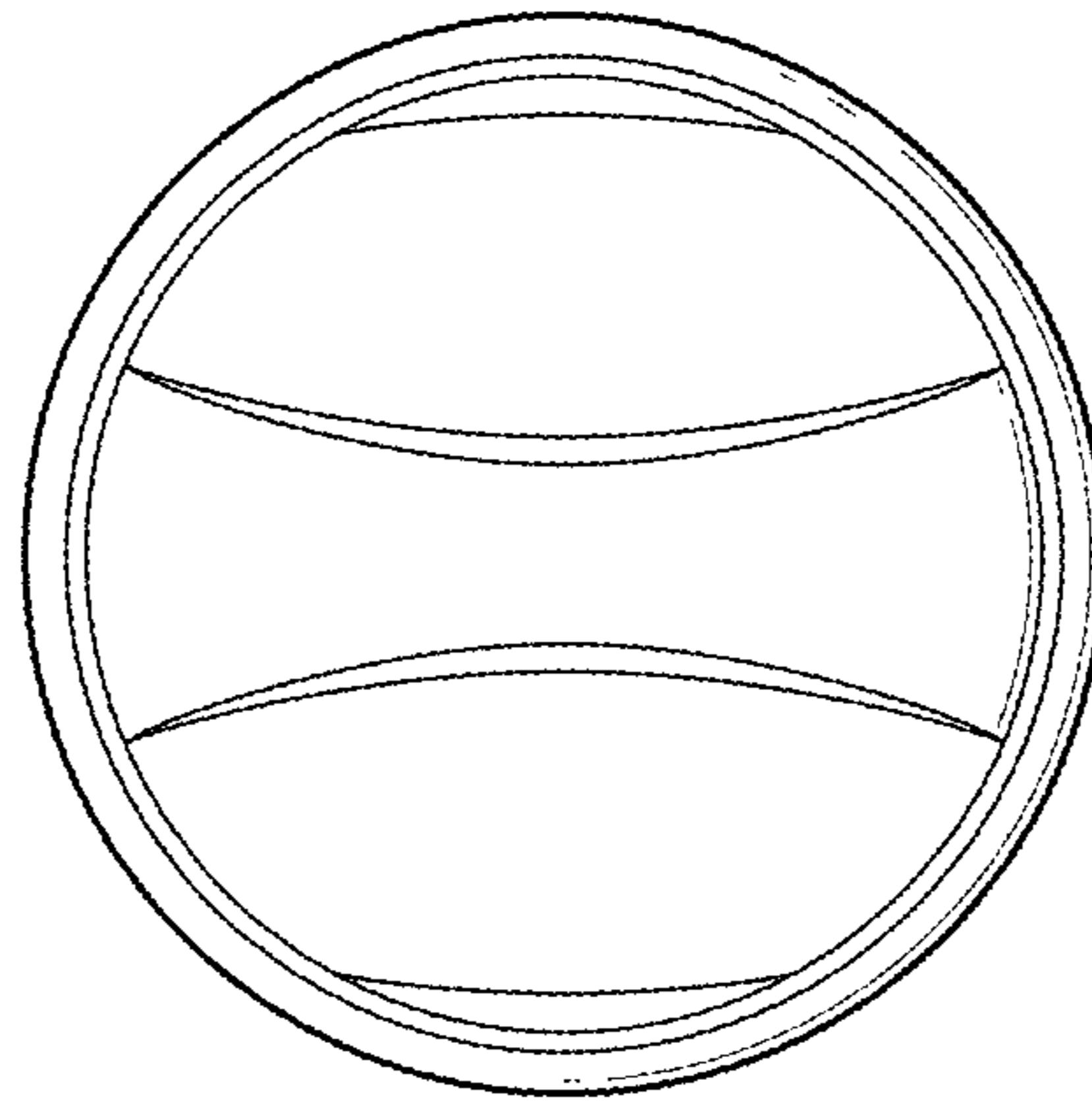


Fig. 6

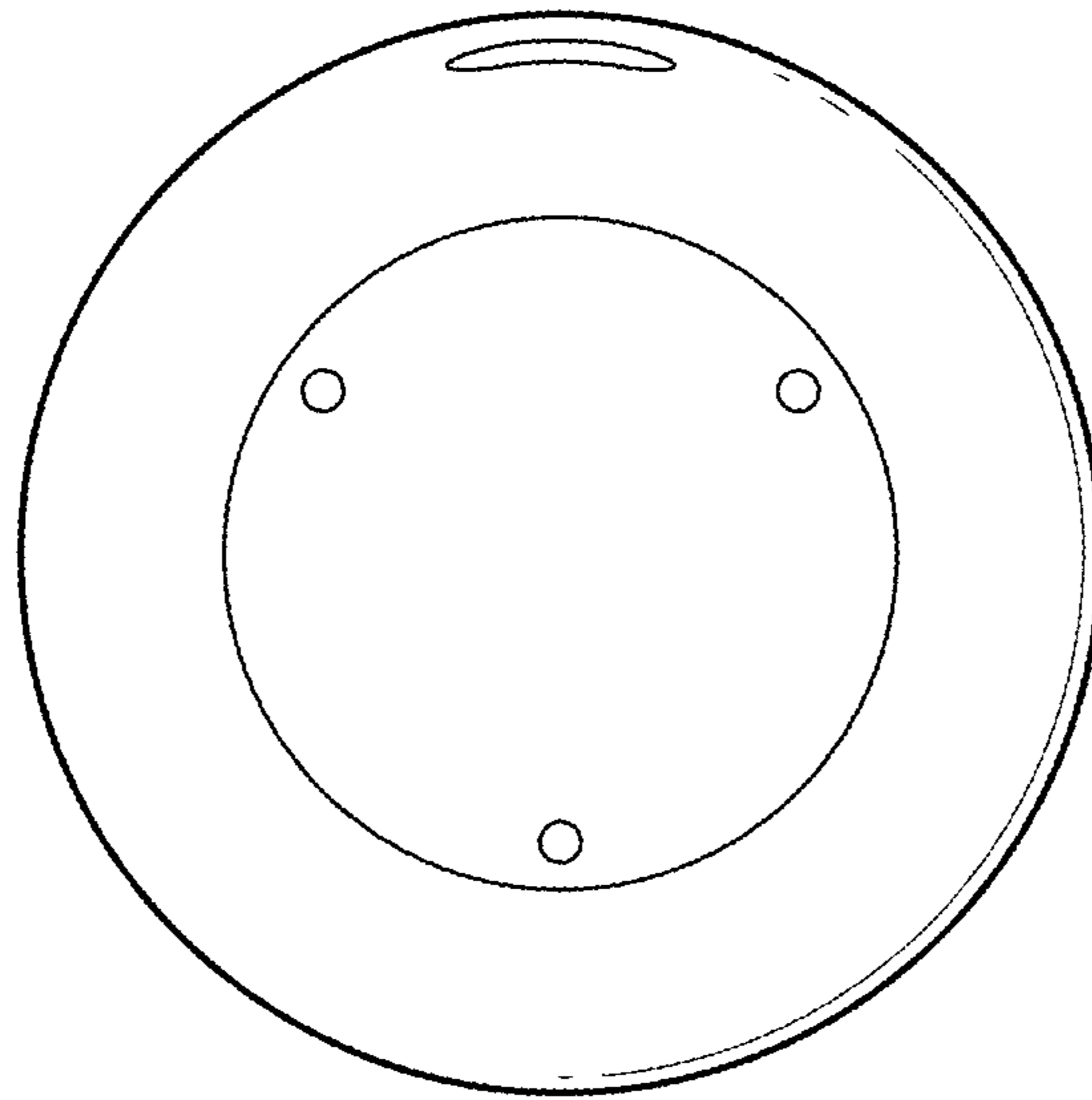


Fig. 7