



US00D771492S

(12) **United States Design Patent**  
**Niggel et al.**

(10) **Patent No.:** **US D771,492 S**

(45) **Date of Patent:** **\*\* Nov. 15, 2016**

(54) **LID**

(71) Applicant: **Berlin Packaging, LLC**, Chicago, IL  
(US)

(72) Inventors: **Brett Niggel**, Chicago, IL (US);  
**Andrew Sanguinet**, La Grange Park, IL  
(US)

(73) Assignee: **Berlin Packaging, LLC**, Chicago, IL  
(US)

(\*\*) Term: **15 Years**

(21) Appl. No.: **29/537,971**

(22) Filed: **Aug. 31, 2015**

(51) **LOC (10) Cl.** ..... **09-07**

(52) **U.S. Cl.**  
USPC ..... **D9/449**

(58) **Field of Classification Search**  
USPC ..... D9/429, 434, 435, 443-450, 452, 454,  
D9/499, 553, 554, 559, 561; D7/387, 392,  
D7/393, 396.2, 396.4, 509, 510, 511, 514;  
D3/202, 203.2, 223, 264, 294, 304, 318  
CPC ..... A61J 1/00; A61J 1/1412; B65D 1/00;  
B65D 1/02; B65D 1/10; B65D 1/46; B65D  
2585/56; B65D 2585/545; B65D 41/00;  
B65D 41/56; B65D 41/62; B65D 47/06;  
B65D 47/08; B65D 2543/00046  
See application file for complete search history.

(56) **References Cited**

**U.S. PATENT DOCUMENTS**

- D204,509 S \* 4/1966 Waterman ..... D9/450
- D257,790 S \* 1/1981 Kesling ..... D24/227
- 4,369,901 A \* 1/1983 Hidding ..... B65D 47/0852  
222/142.7
- D339,065 S \* 9/1993 Forsyth ..... D9/447
- D339,290 S \* 9/1993 Close ..... D9/447
- D370,843 S \* 6/1996 Lluch ..... D9/414
- D373,952 S \* 9/1996 Exarhos ..... D28/83
- D398,526 S \* 9/1998 Schwarz ..... D9/425

- D401,017 S \* 11/1998 Thorpe ..... D28/78
- D404,644 S \* 1/1999 Meeker ..... D24/227
- D462,613 S \* 9/2002 Bried ..... D3/294
- D472,803 S \* 4/2003 Saunders ..... D9/423
- D489,440 S \* 5/2004 Anderson ..... D23/366
- D502,095 S \* 2/2005 Tucker ..... D9/423
- D531,022 S \* 10/2006 Au ..... D3/294
- D533,452 S \* 12/2006 Vogel ..... D9/447
- 7,165,695 B2 \* 1/2007 Choi ..... B25H 3/02  
220/254.3
- D547,645 S \* 7/2007 Sainz ..... D9/420

(Continued)

*Primary Examiner* — Karen S Acker

*Assistant Examiner* — Wendy Arminio

(74) *Attorney, Agent, or Firm* — Adam K. Sacharoff;  
Much Shelist

(57) **CLAIM**

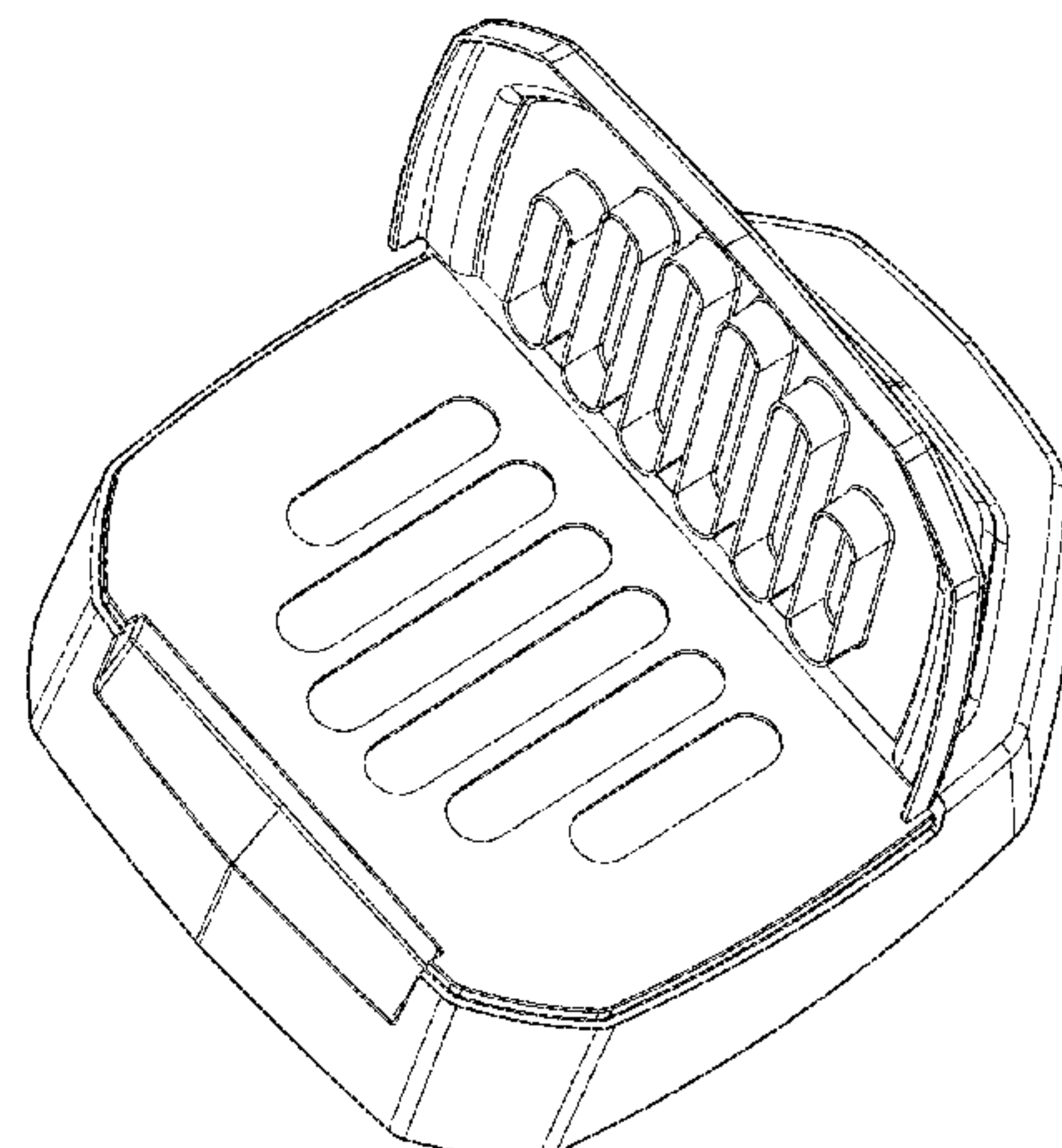
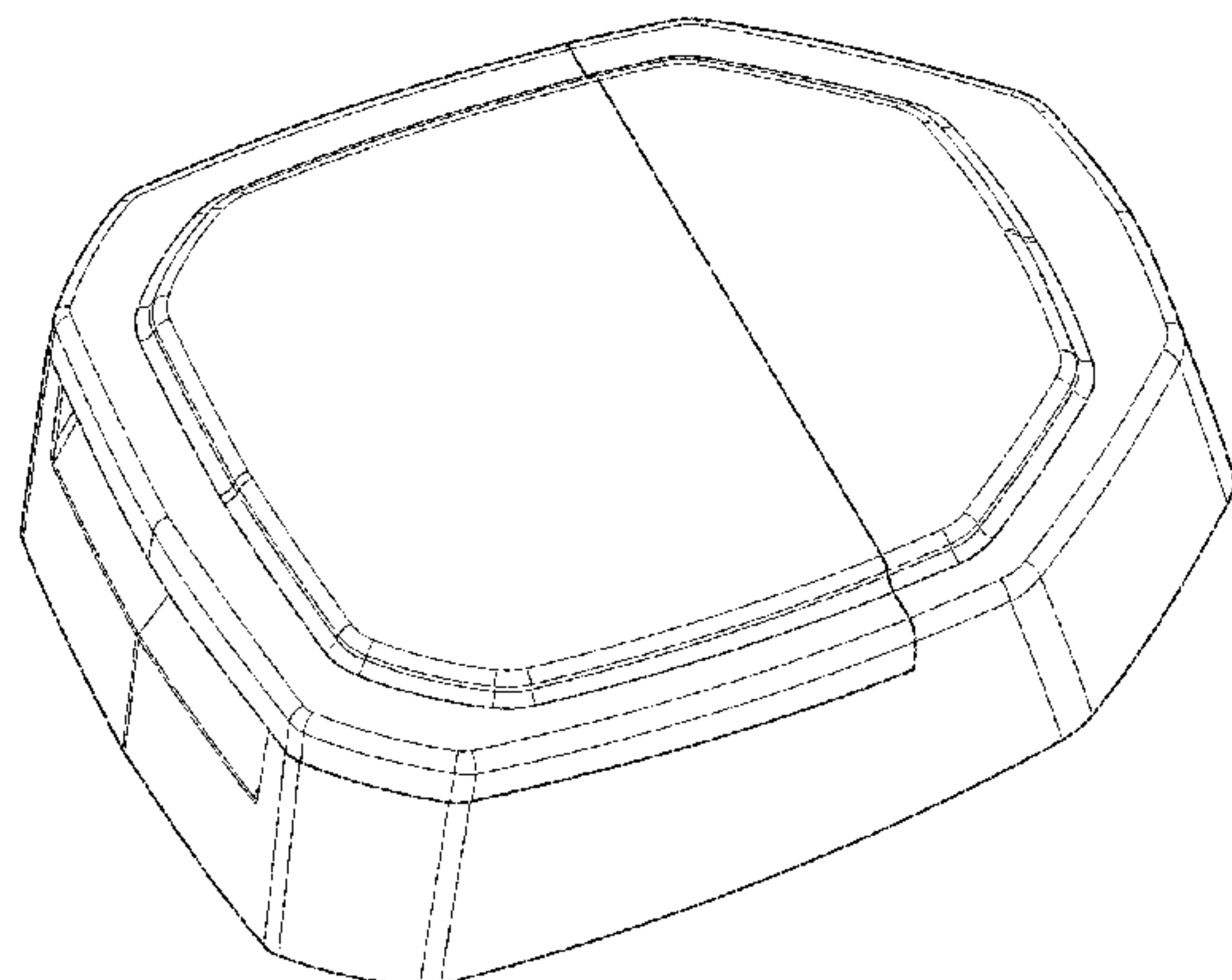
The ornamental design for a lid, as shown and described.

**DESCRIPTION**

FIG. 1 is a top, right side perspective view showing the new design for a lid in a closed position;  
 FIG. 2 is top, front perspective view thereof;  
 FIG. 3 is a left side perspective view thereof;  
 FIG. 4 is a front elevation view thereof;  
 FIG. 5 is a rear elevation view thereof;  
 FIG. 6 is a left side view thereof;  
 FIG. 7 is a right side view thereof;  
 FIG. 8 is a top plan view thereof;  
 FIG. 9 is a top, rear perspective view thereof in an opened position;  
 FIG. 10 is a top, front, left side perspective view thereof;  
 FIG. 11 is a top, front, right side perspective view thereof;  
 FIG. 12 is a front elevation view thereof;  
 FIG. 13 is a rear elevation view thereof;  
 FIG. 14 is a left side view thereof;  
 FIG. 15 is a right side view thereof; and,  
 FIG. 16 is a top plan view thereof.

The broken lines shown in the drawings depict portions of the lid that form no part of the claimed design.

**1 Claim, 16 Drawing Sheets**



# US D771,492 S

Page 2

---

(56)

## References Cited

### U.S. PATENT DOCUMENTS

D629,300 S *	12/2010	Arnell .....	D9/449	D662,417 S *	6/2012	Reinhold .....	D9/434
8,066,158 B2 *	11/2011	Vogel .....	B65D 47/0895 215/235	D673,253 S *	12/2012	Mack .....	D23/366
D660,693 S *	5/2012	Berggren .....	D9/421	D708,850 S *	7/2014	Morine .....	D3/294
				D728,360 S *	5/2015	Kelly .....	D9/420
				2014/0251160 A1 *	9/2014	Contarino, Jr. ....	A47J 37/0786 99/341

\* cited by examiner

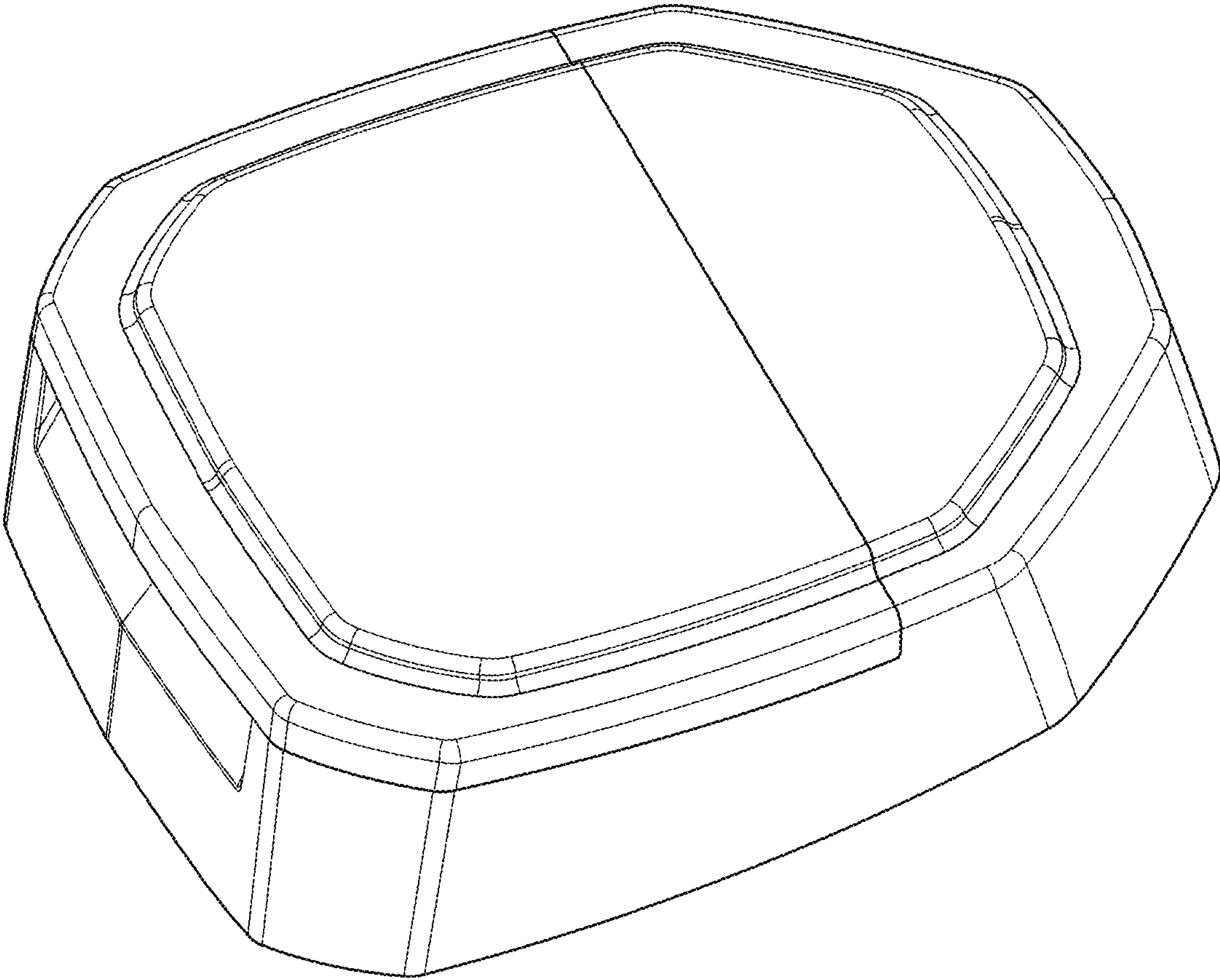


FIG. 1

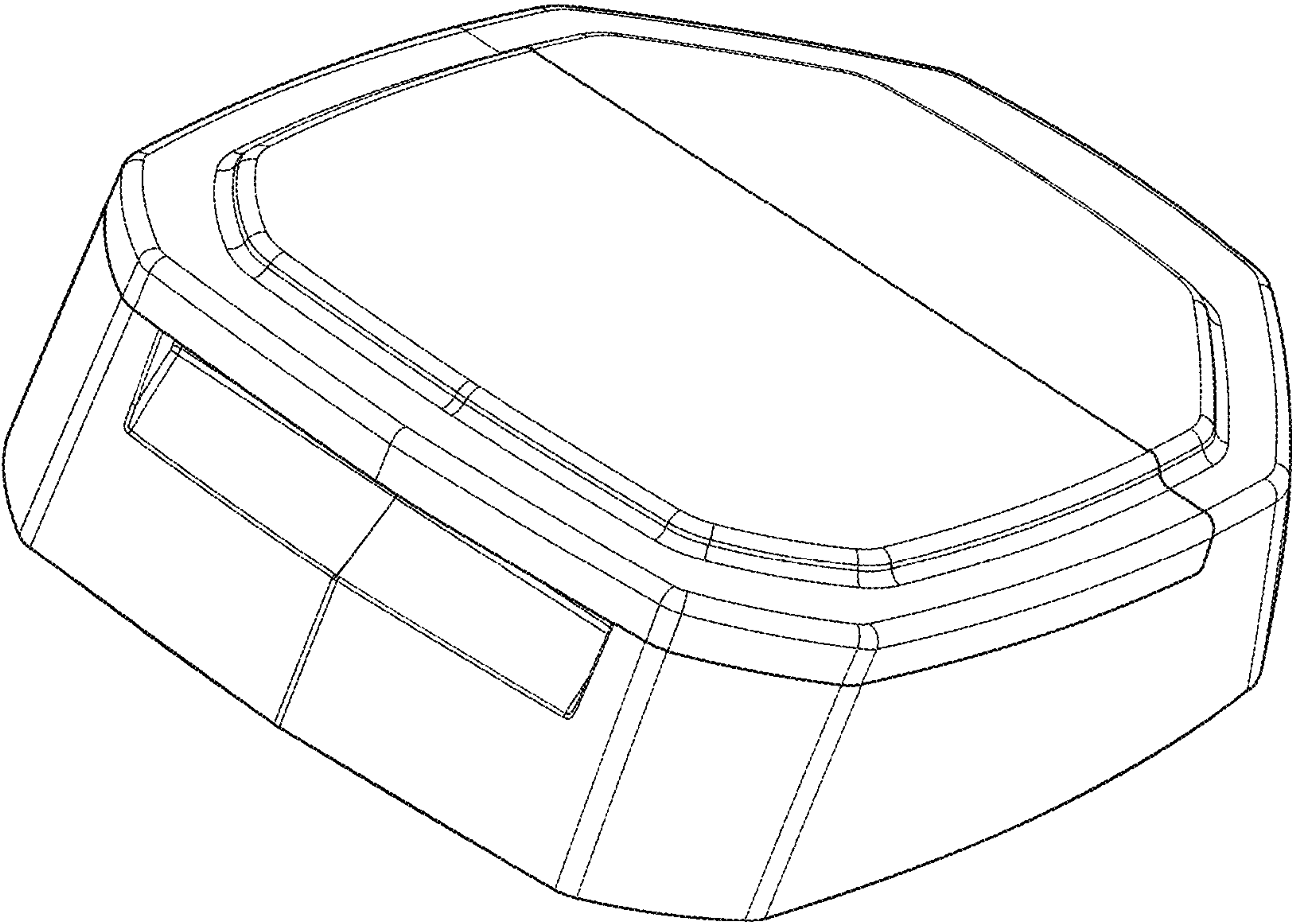


FIG. 2

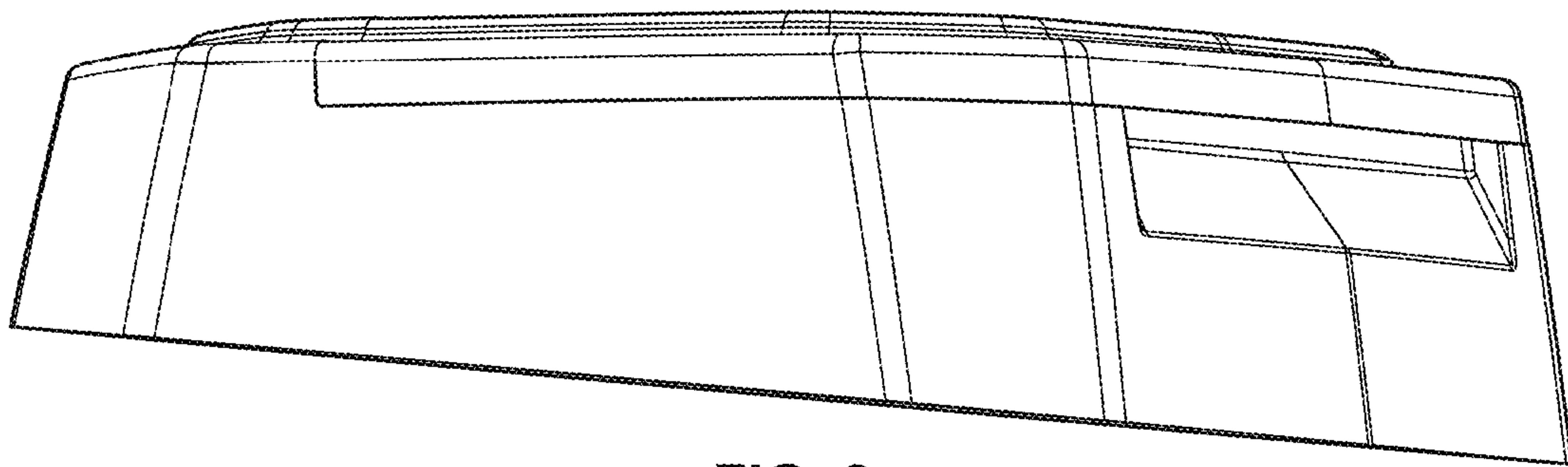


FIG. 3



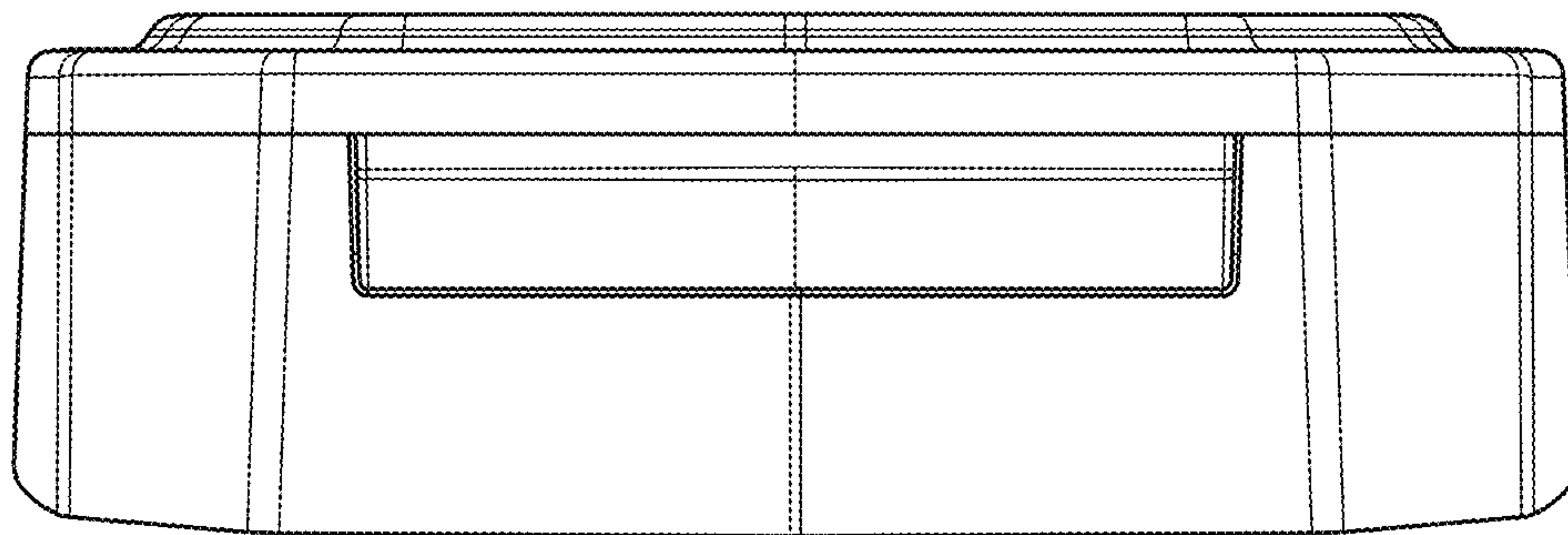


FIG. 4

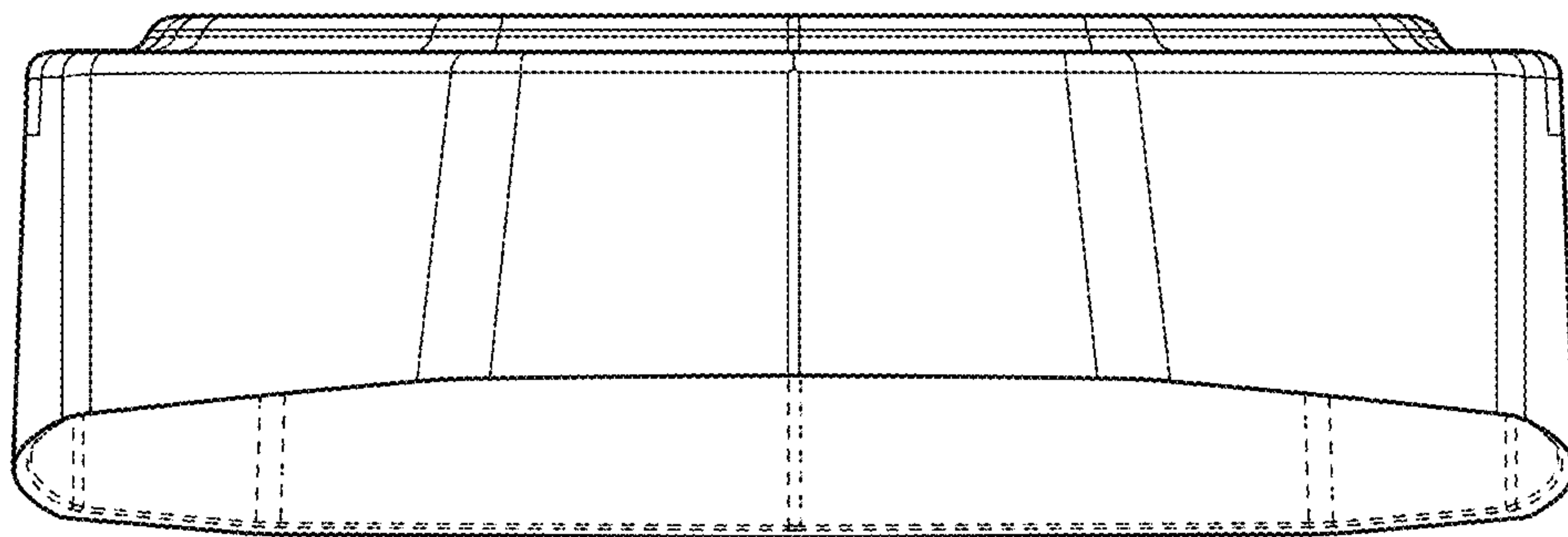


FIG. 5

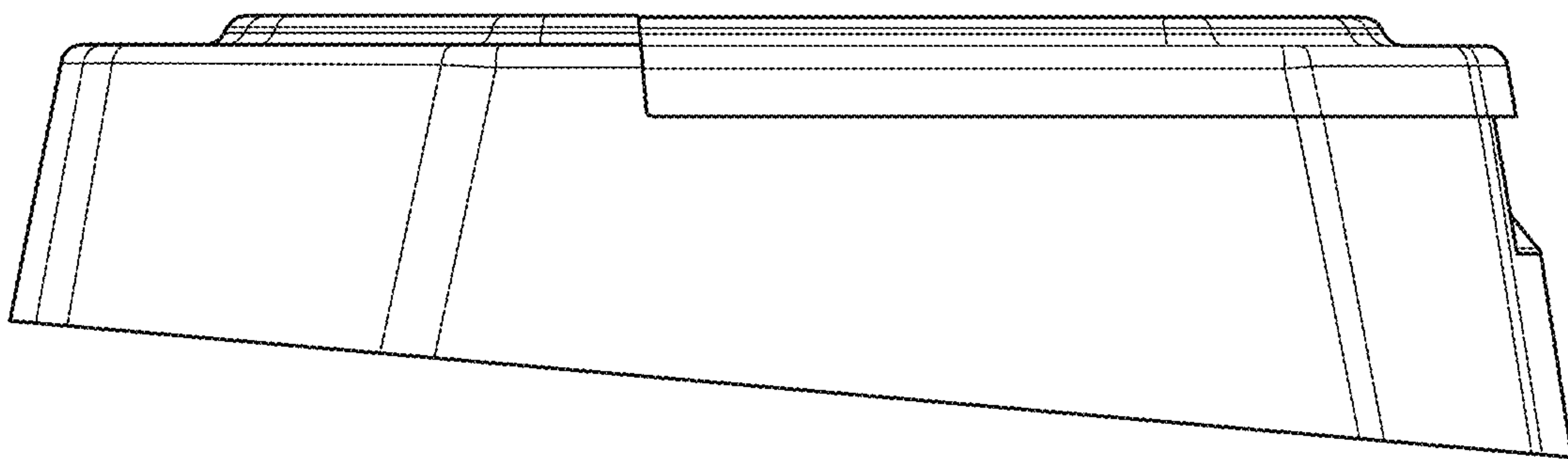


FIG. 6



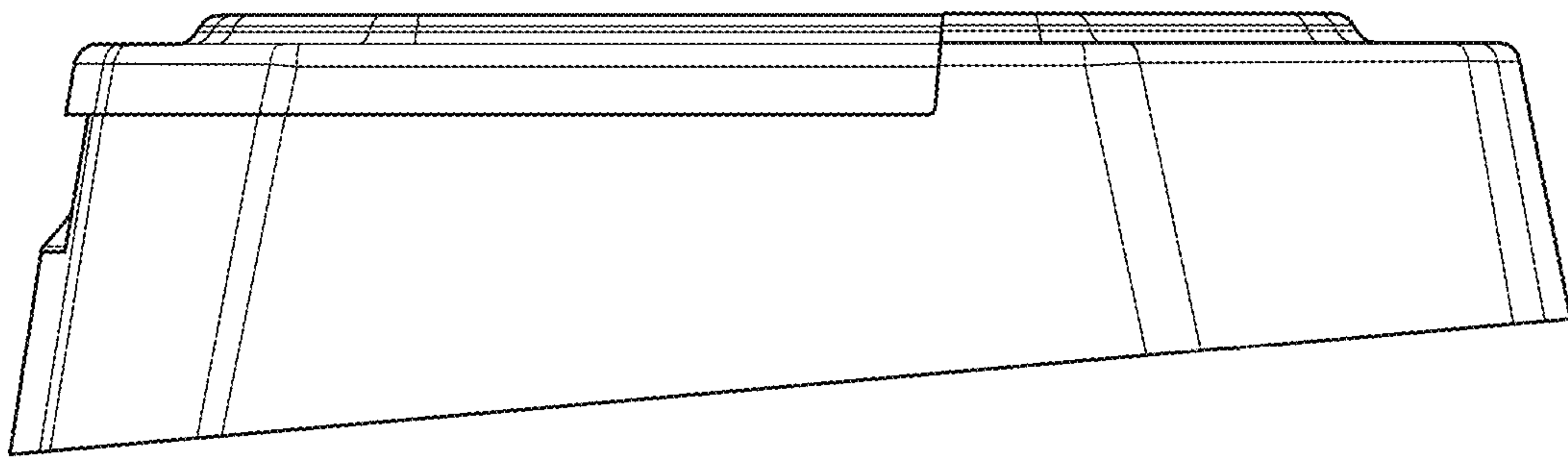


FIG. 7

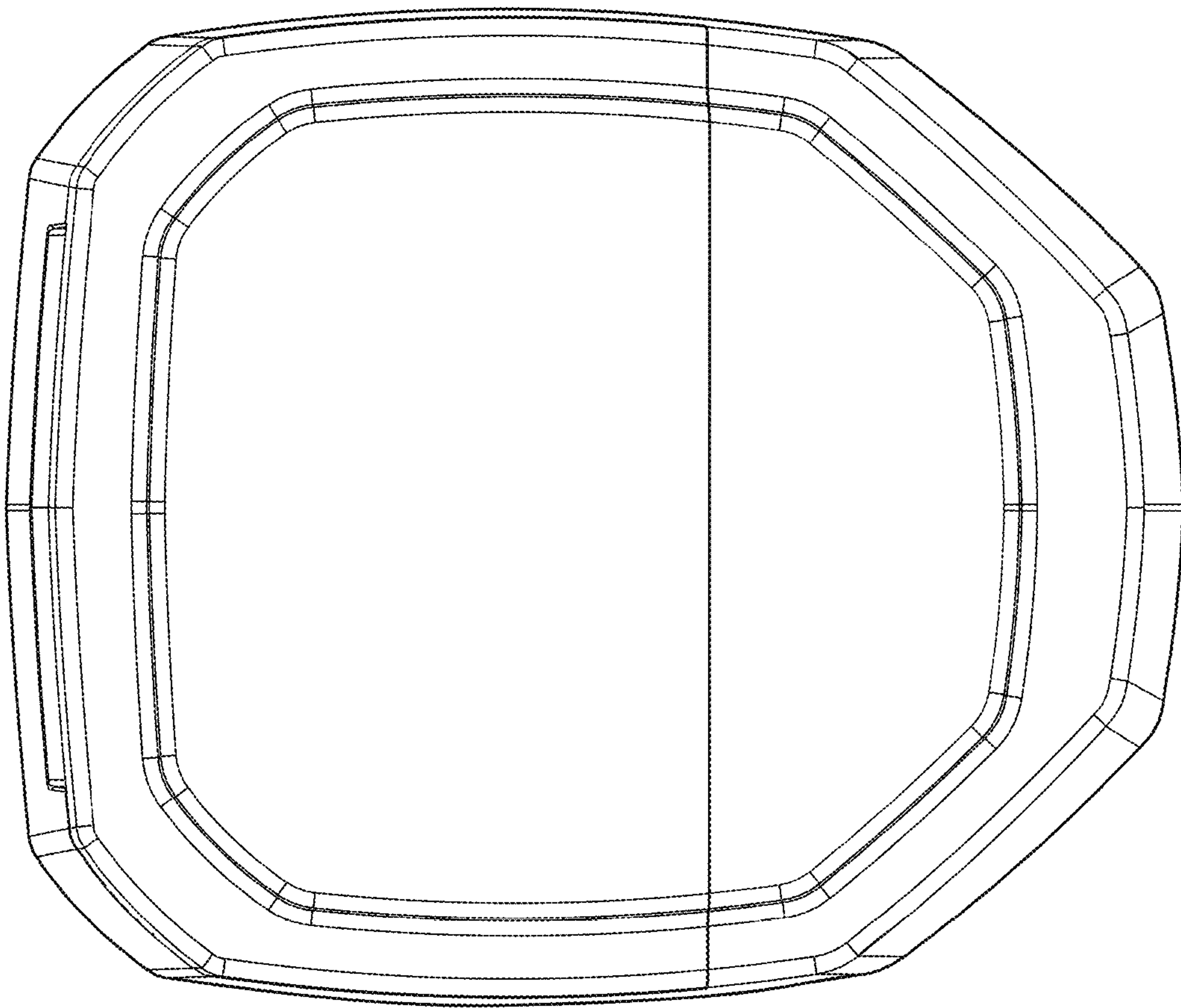


FIG. 8

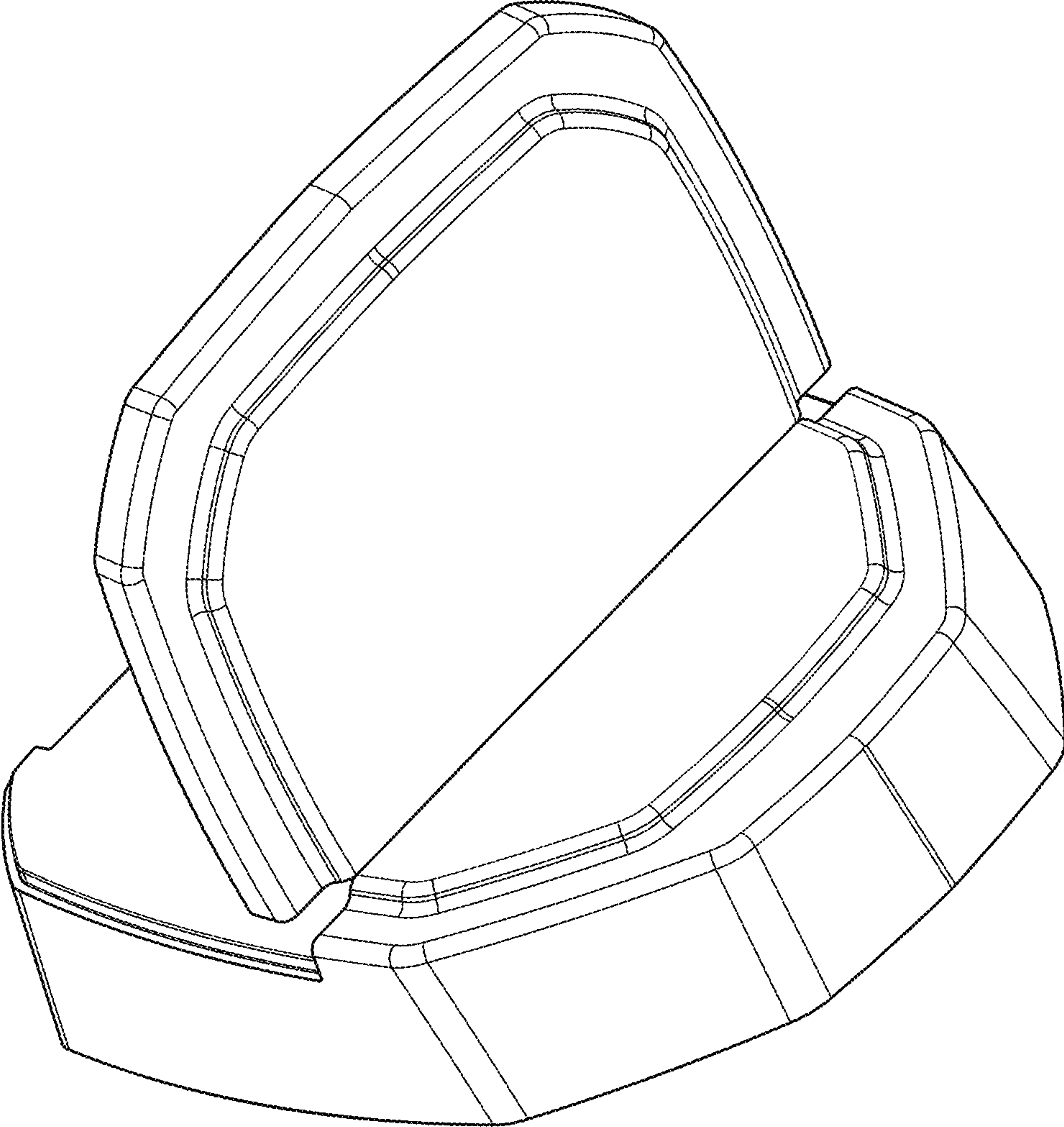


FIG. 9

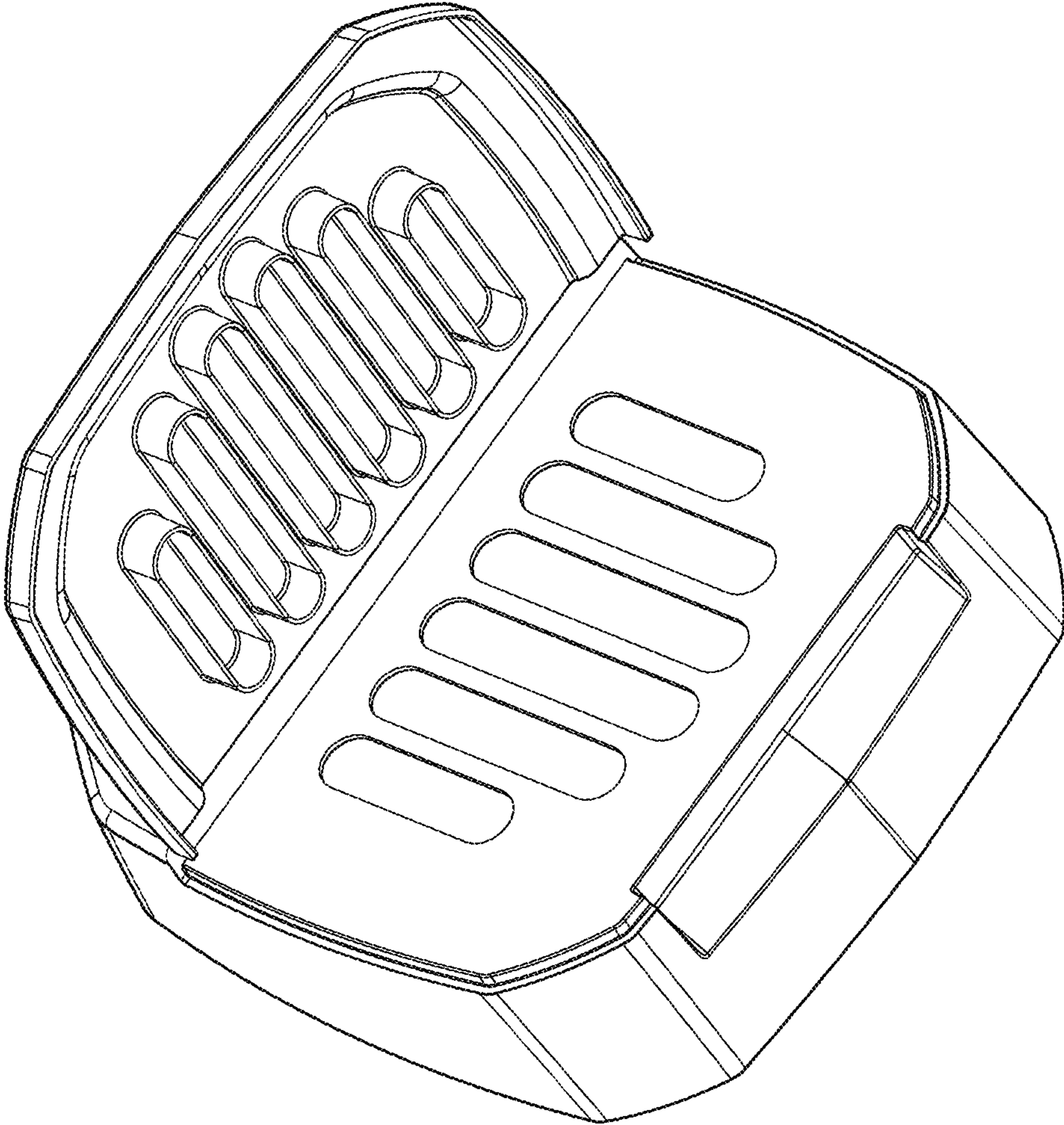


FIG. 10

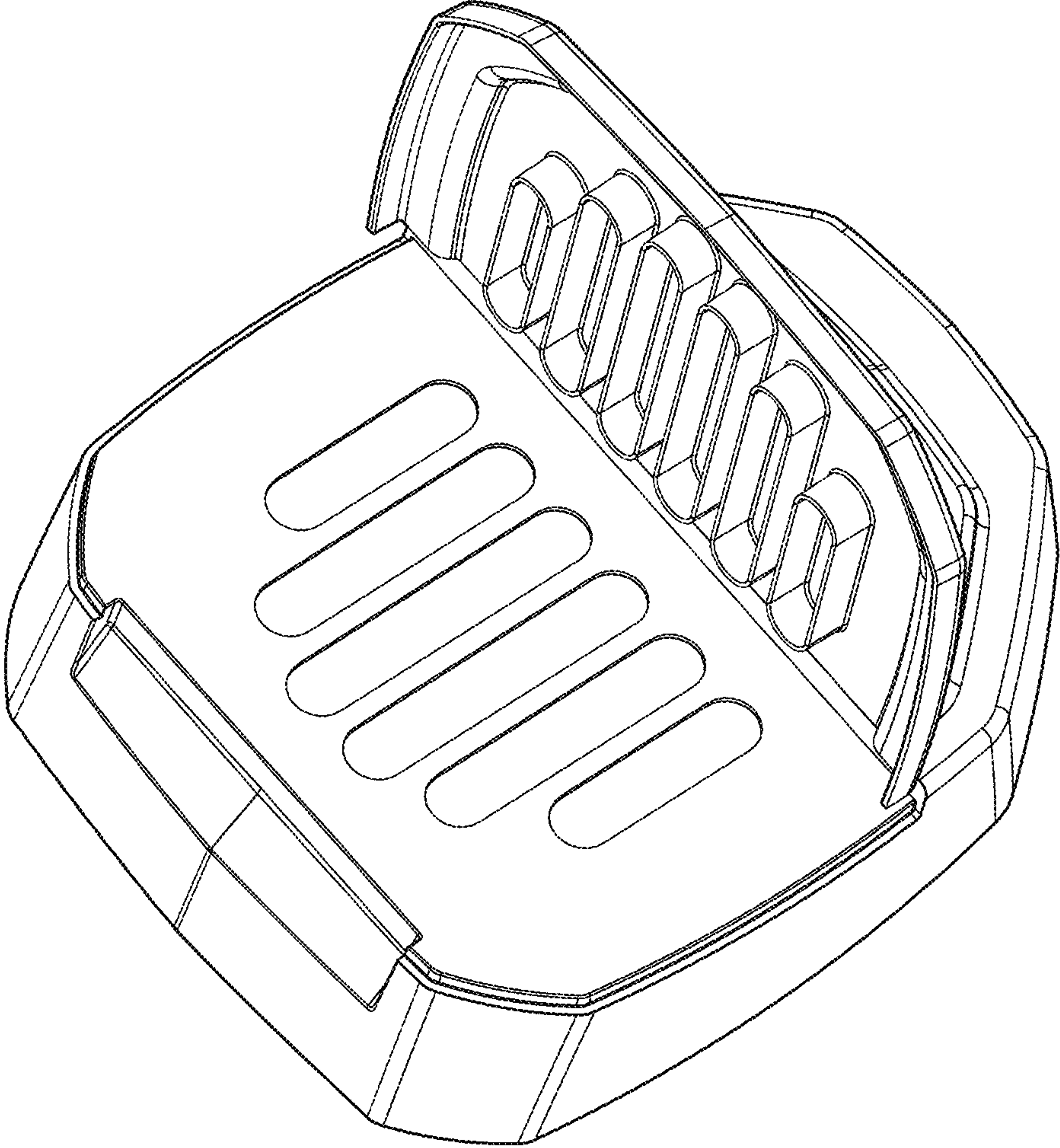


FIG. 11



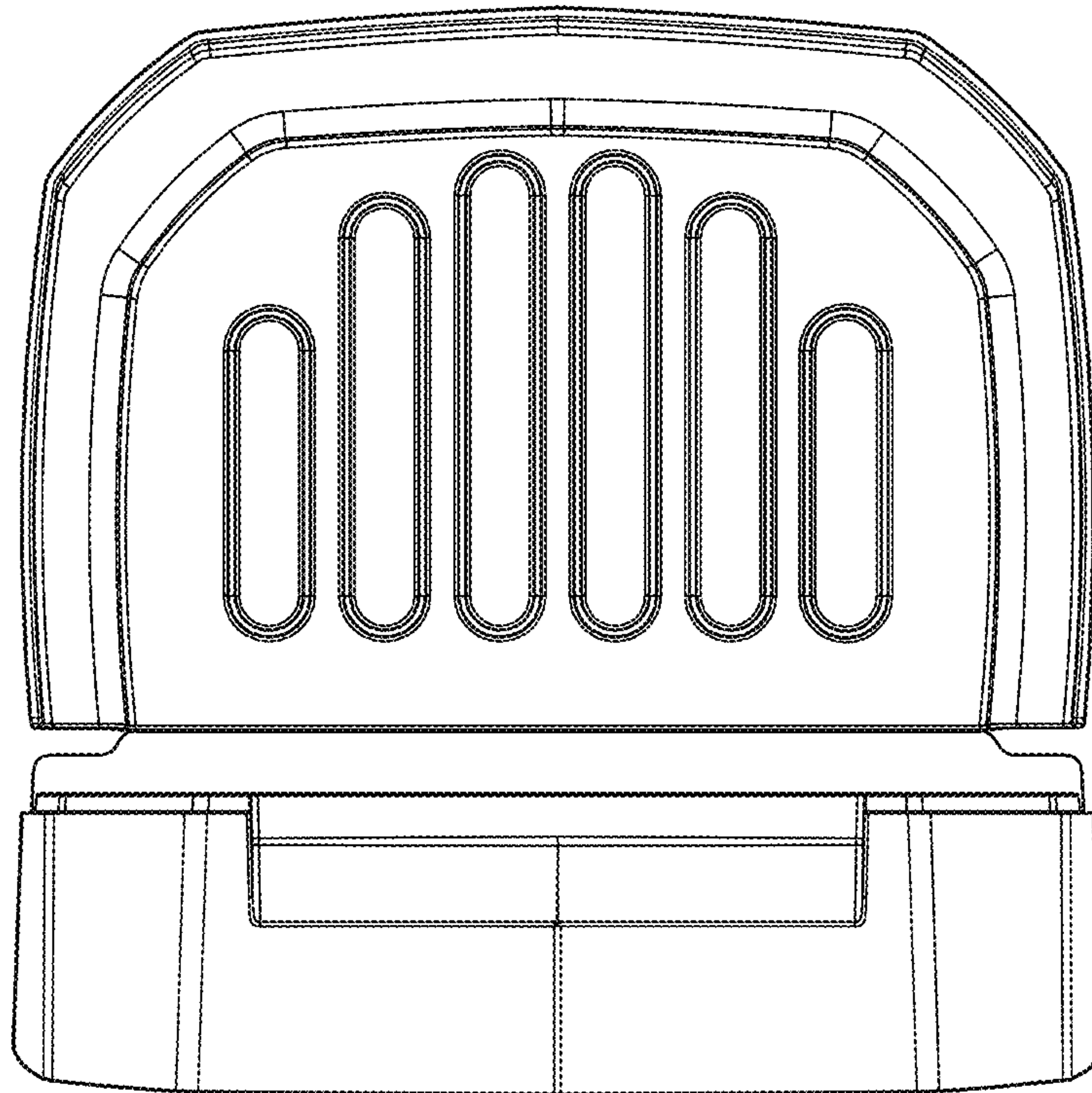


FIG. 12



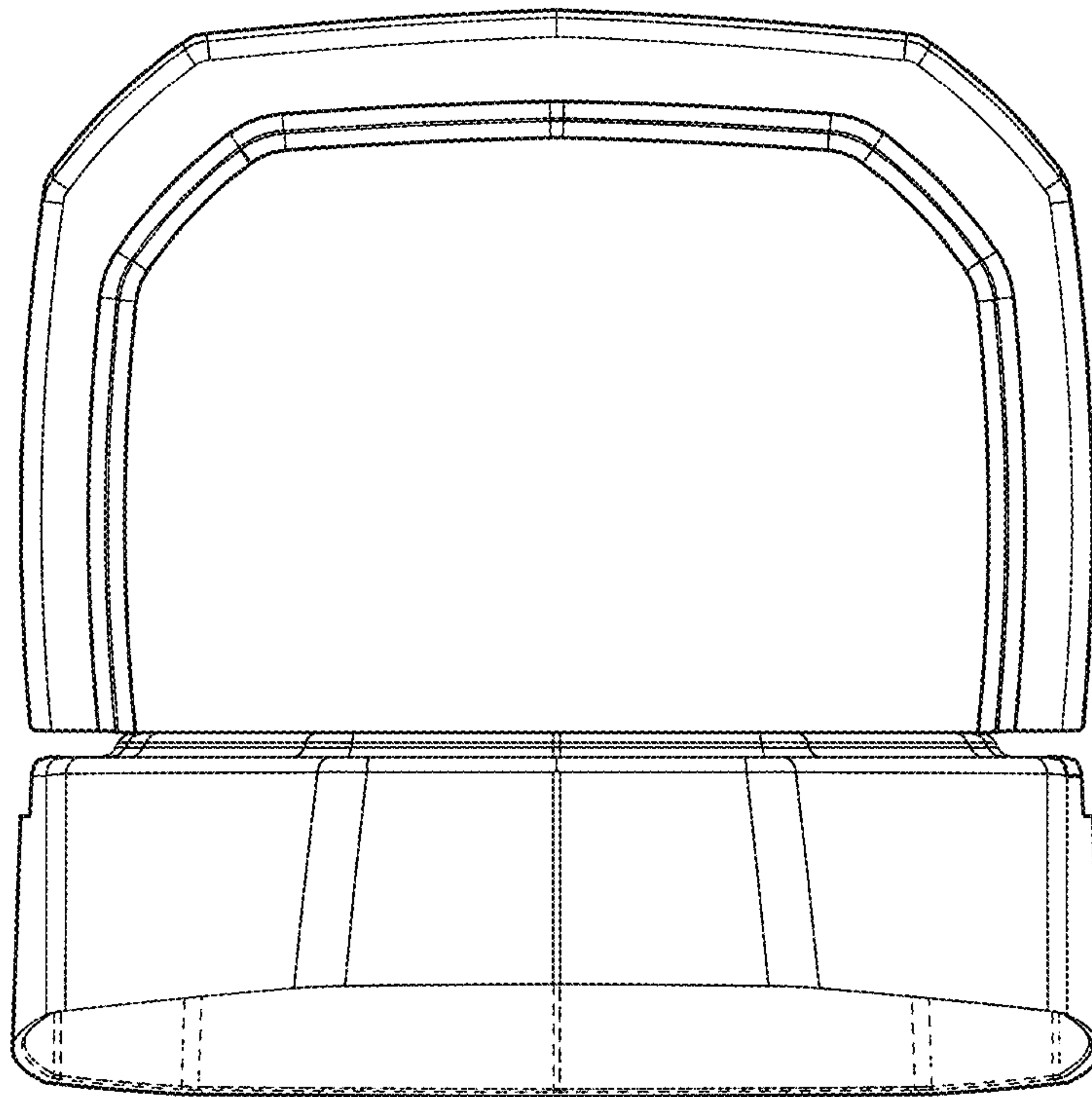


FIG. 13

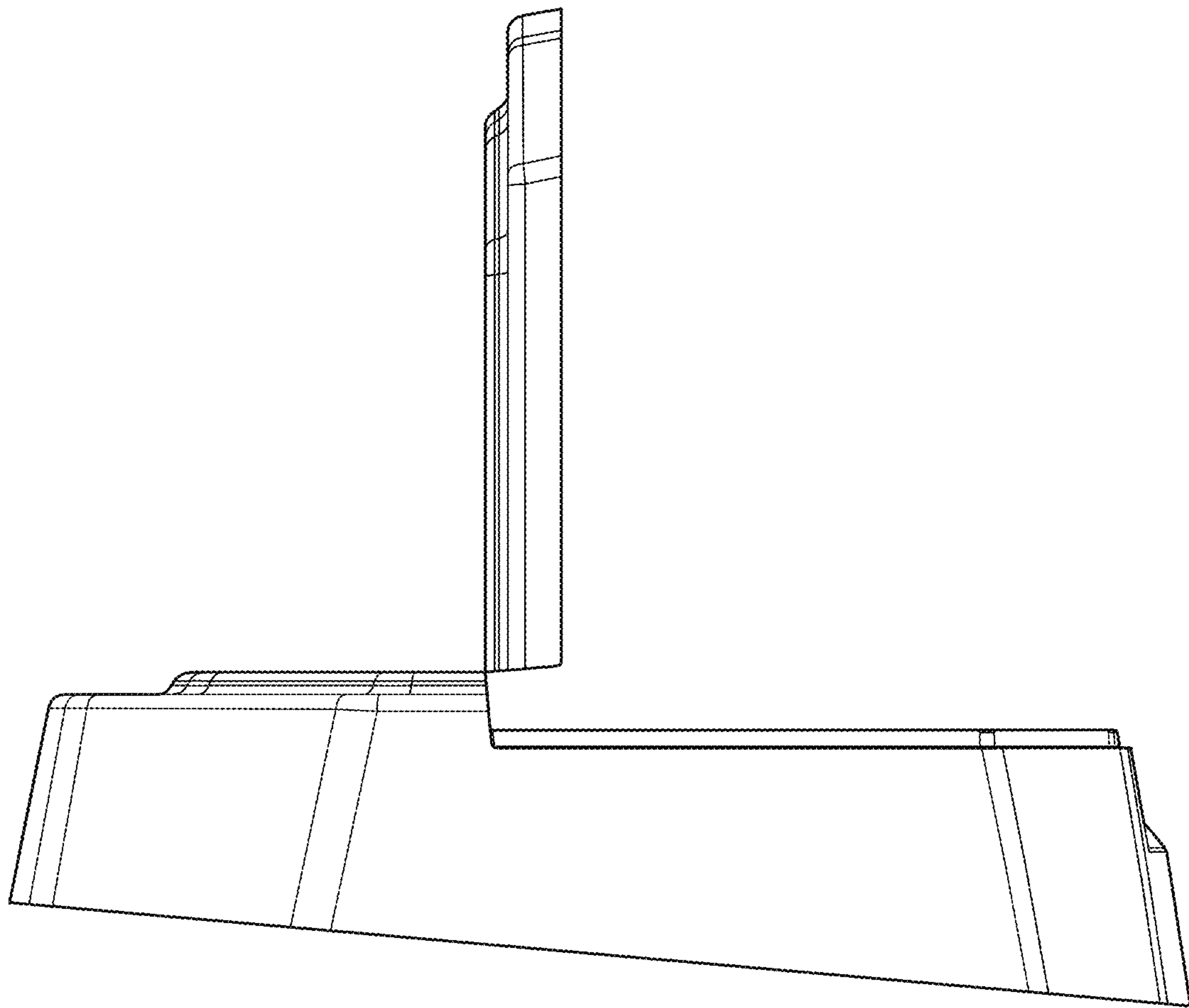


FIG. 14

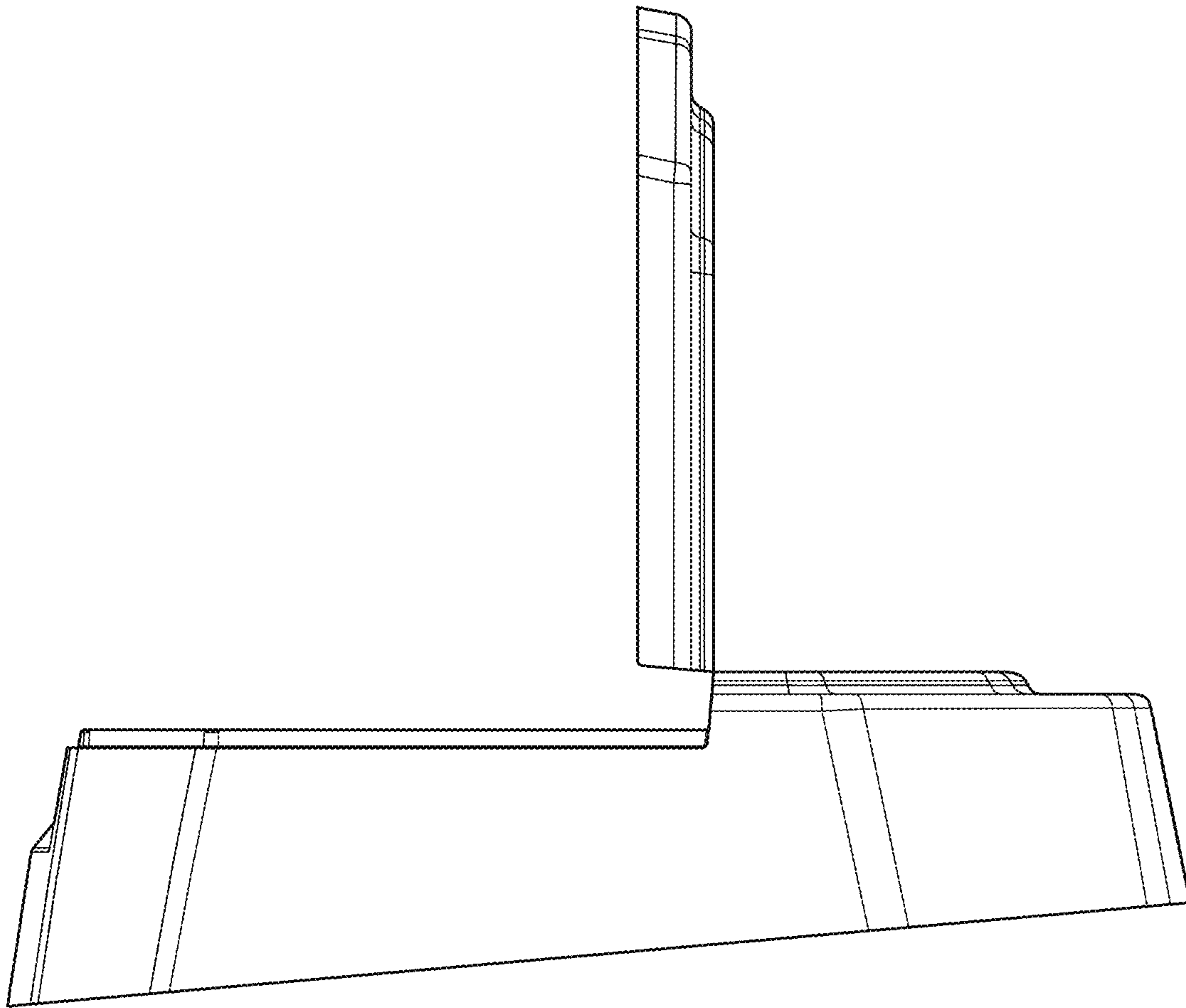


FIG. 15

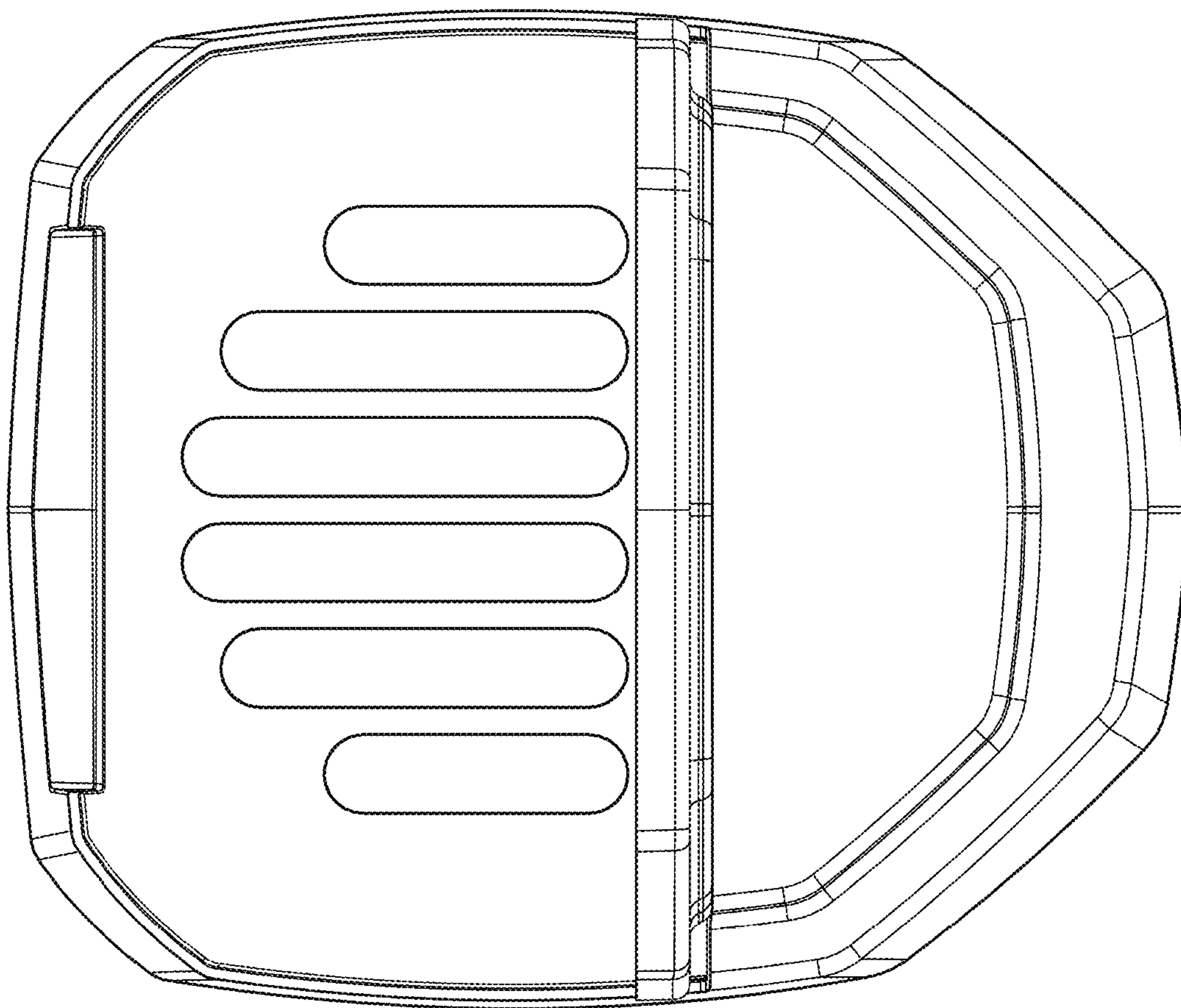


FIG. 16