



US00D771491S

(12) **United States Design Patent** (10) **Patent No.:** **US D771,491 S**  
**Smolinski** (45) **Date of Patent:** **\*\* Nov. 15, 2016**

(54) **SPRAY PUMP**

(71) Applicant: **Denny Smolinski**, Warren, MI (US)

(72) Inventor: **Denny Smolinski**, Warren, MI (US)

(73) Assignee: **SMO International, Inc.**, Warren, MI (US)

(\*\*) Term: **14 Years**

(21) Appl. No.: **29/520,661**

(22) Filed: **Mar. 17, 2015**

(51) **LOC (10) Cl.** ..... **09-07**

(52) **U.S. Cl.**  
 USPC ..... **D9/448; D9/682**

(58) **Field of Classification Search**  
 USPC ..... D9/682-694, 500-505, 516, 523-526,  
 D9/544-546, 552, 556, 557, 435, 436, 439,  
 D9/440, 447, 448, 449, 450, 452, 454;  
 D7/300, 306-308, 312, 313, 589, 590;  
 D6/542-546  
 CPC . A47K 5/12-5/18; A47K 5/122; A47K 5/13;  
 A47K 5/14; A47K 2005/1218; A45D 34/00;  
 A45D 34/02; A45D 2034/005; A45D  
 2034/007; A45D 2200/055; A45D 2200/056;  
 A45D 2200/057; B05B 11/00-11/3098;  
 B65D 83/14-83/759  
 See application file for complete search history.

3,465,921 A \* 9/1969 Mullan ..... B05B 11/047  
 222/212  
 3,680,986 A \* 8/1972 Kutik ..... B05B 11/3032  
 222/384  
 D241,592 S \* 9/1976 Schick ..... D6/543  
 4,330,072 A \* 5/1982 Mastman ..... A47K 5/122  
 222/209  
 4,396,132 A \* 8/1983 Christensen ..... B05B 11/3015  
 222/1  
 4,972,974 A \* 11/1990 Chavkin ..... B05B 11/3059  
 222/153.11  
 D316,972 S \* 5/1991 Law ..... D9/448  
 D321,829 S \* 11/1991 Iazzetta ..... D9/452  
 D342,903 S \* 1/1994 Ricci ..... D9/439  
 D391,169 S \* 2/1998 Workman ..... D9/539  
 D407,977 S \* 4/1999 Farris ..... D9/447  
 5,947,335 A \* 9/1999 Milio ..... B05B 11/3008  
 222/133  
 D528,912 S \* 9/2006 van der Heijden ..... D6/542  
 D556,579 S \* 12/2007 Goto ..... D9/516  
 D599,215 S \* 9/2009 Mulhauser ..... D9/724  
 2010/0200615 A1 \* 8/2010 Ciavarella ..... B05B 7/0037  
 222/190

\* cited by examiner

*Primary Examiner* — Catherine Tuttle  
 (74) *Attorney, Agent, or Firm* — Dickinson Wright PLLC

(57) **CLAIM**  
 The ornamental design for a spray pump, as shown and described herein.

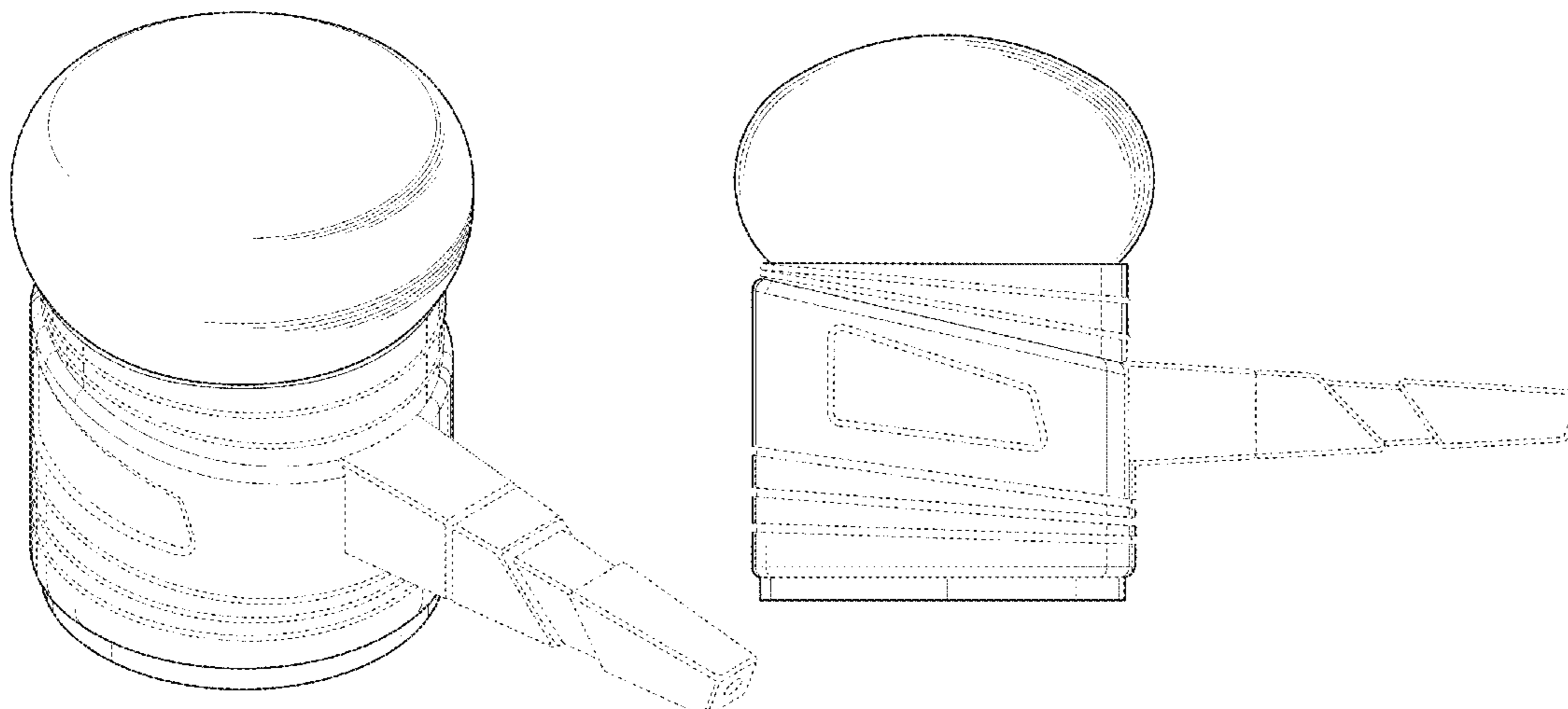
**DESCRIPTION**

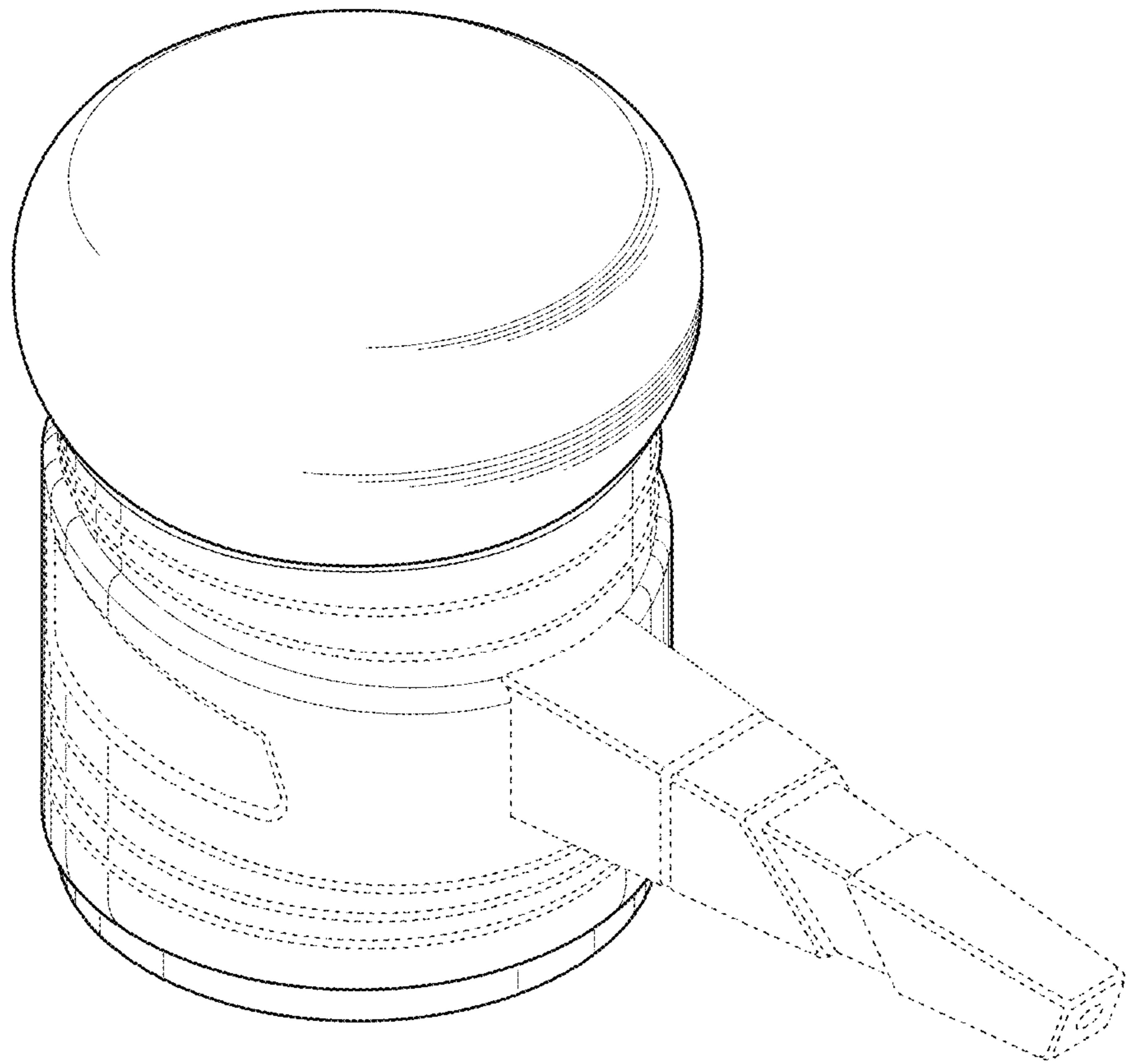
FIG. 1 is a top front perspective view of the spray pump showing my new design;  
 FIG. 2 is a top rear perspective view thereof;  
 FIG. 3 is a top plan view thereof;  
 FIG. 4 is a rear elevational view thereof;  
 FIG. 5 is a side elevational view thereof; and,  
 FIG. 6 is a front elevational view thereof.  
 The broken lines are included for the purpose of illustrating the portions of the spray pump that form no part of the claimed design.

**1 Claim, 4 Drawing Sheets**

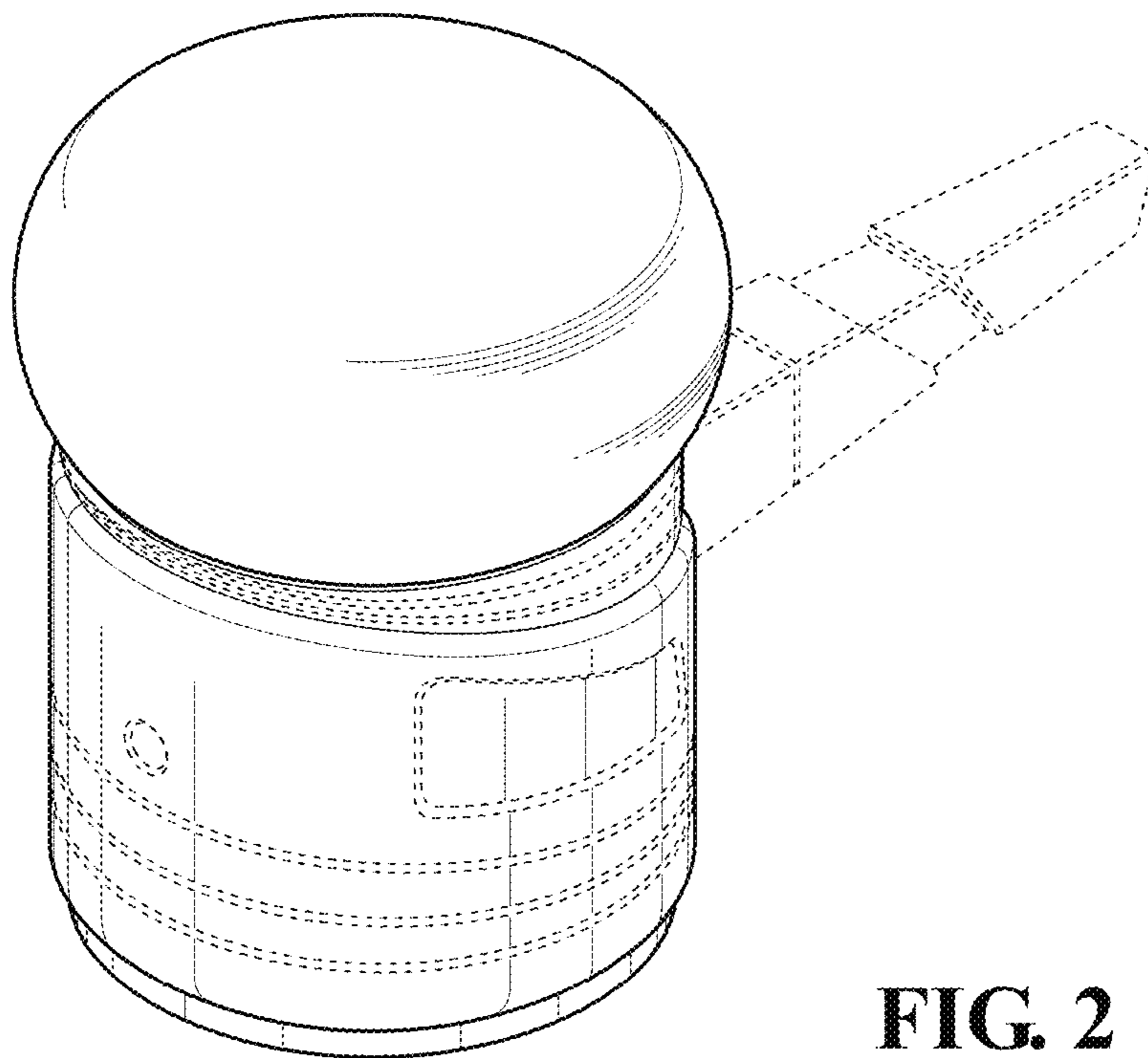
(56) **References Cited**  
 U.S. PATENT DOCUMENTS

D28,636 S \* 5/1898 Tappan ..... D9/454  
 1,142,636 A \* 6/1915 Singer ..... B05B 11/062  
 222/209  
 2,098,160 A \* 11/1937 Perritt ..... B05B 11/00  
 222/207  
 2,735,590 A \* 2/1956 Ayers ..... B65D 83/20  
 137/382  
 2,815,890 A \* 12/1957 Coopridner ..... B05B 11/0016  
 222/207  
 D191,694 S \* 11/1961 Blitz ..... D9/448

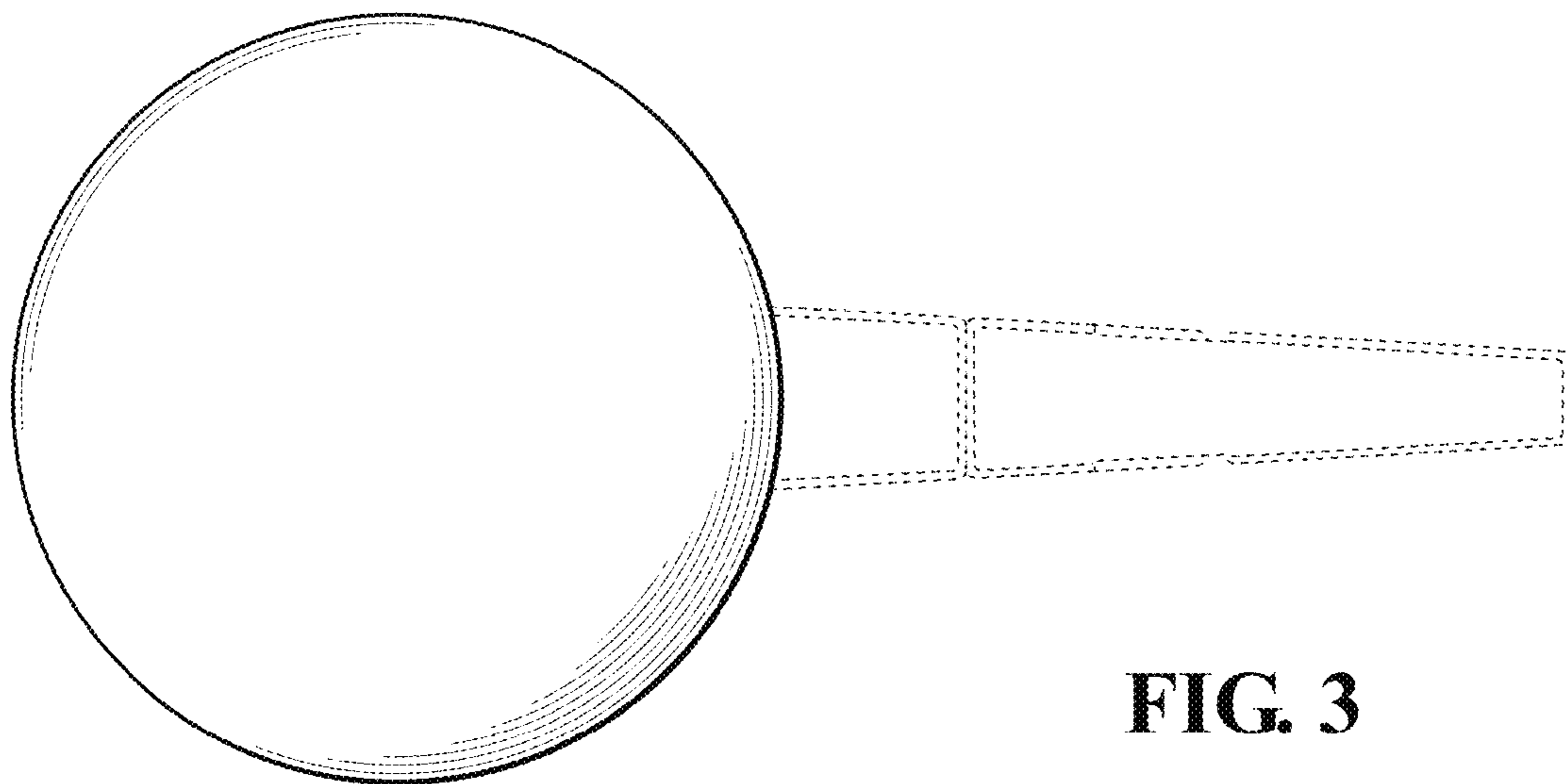




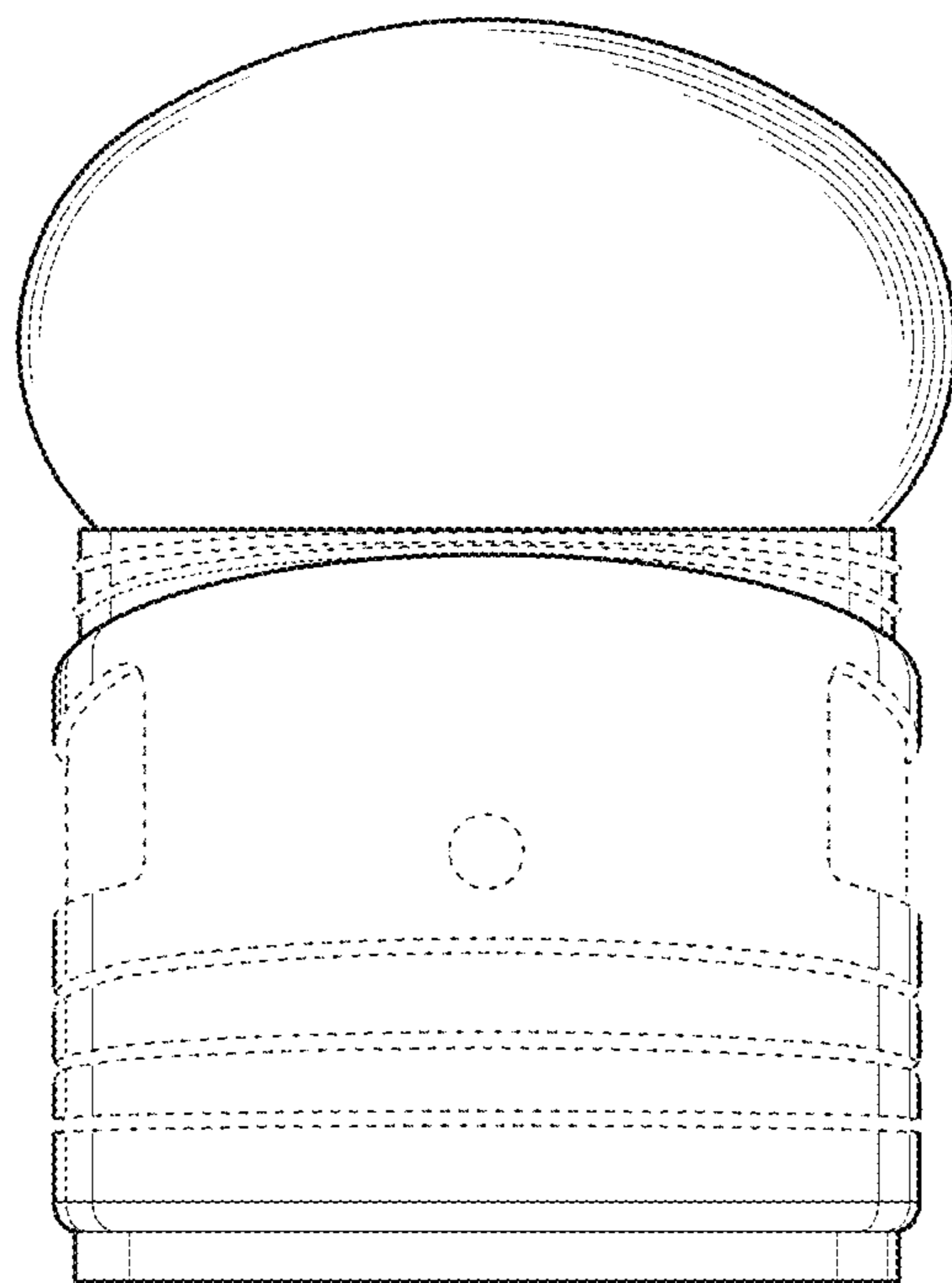
**FIG. 1**



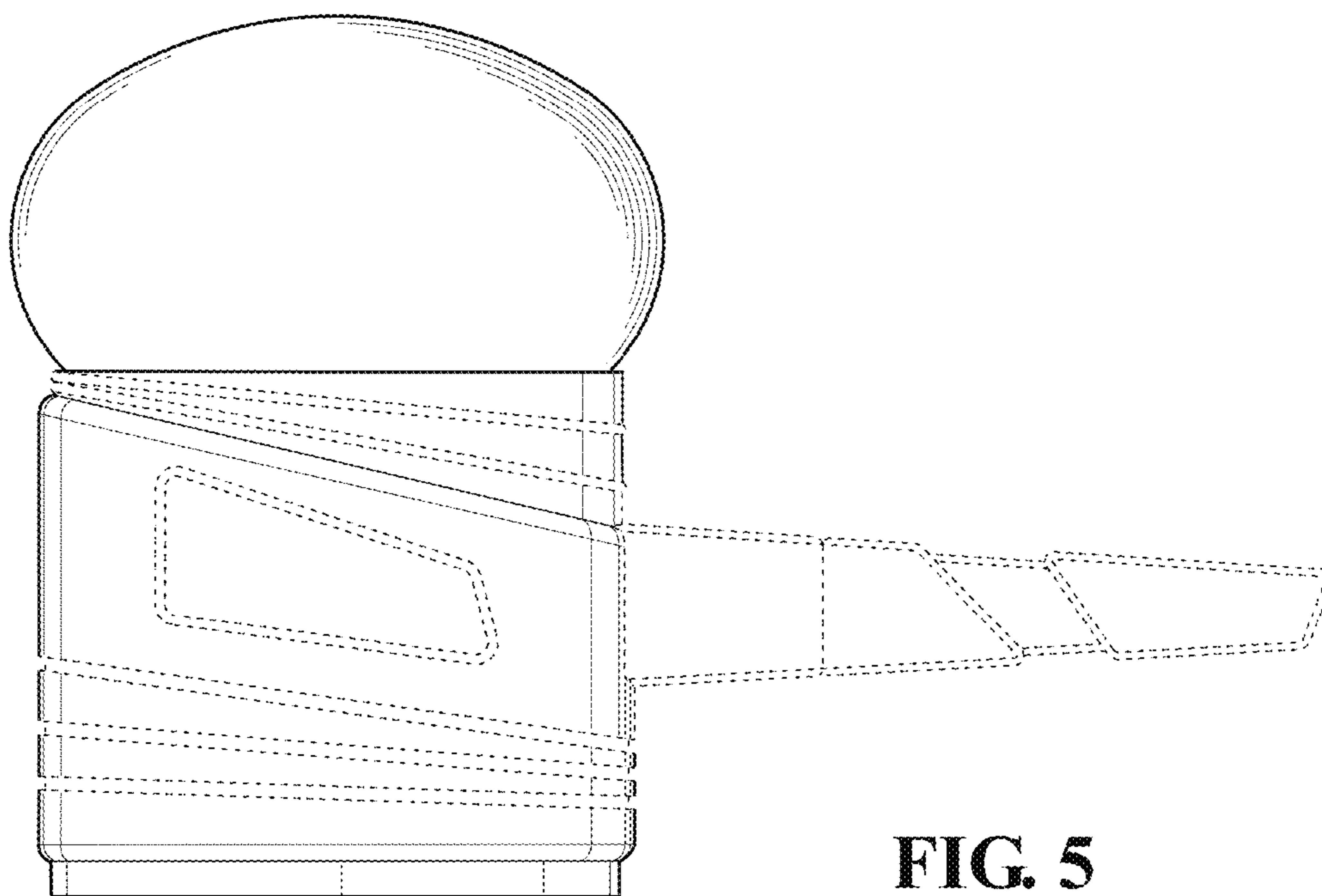
**FIG. 2**



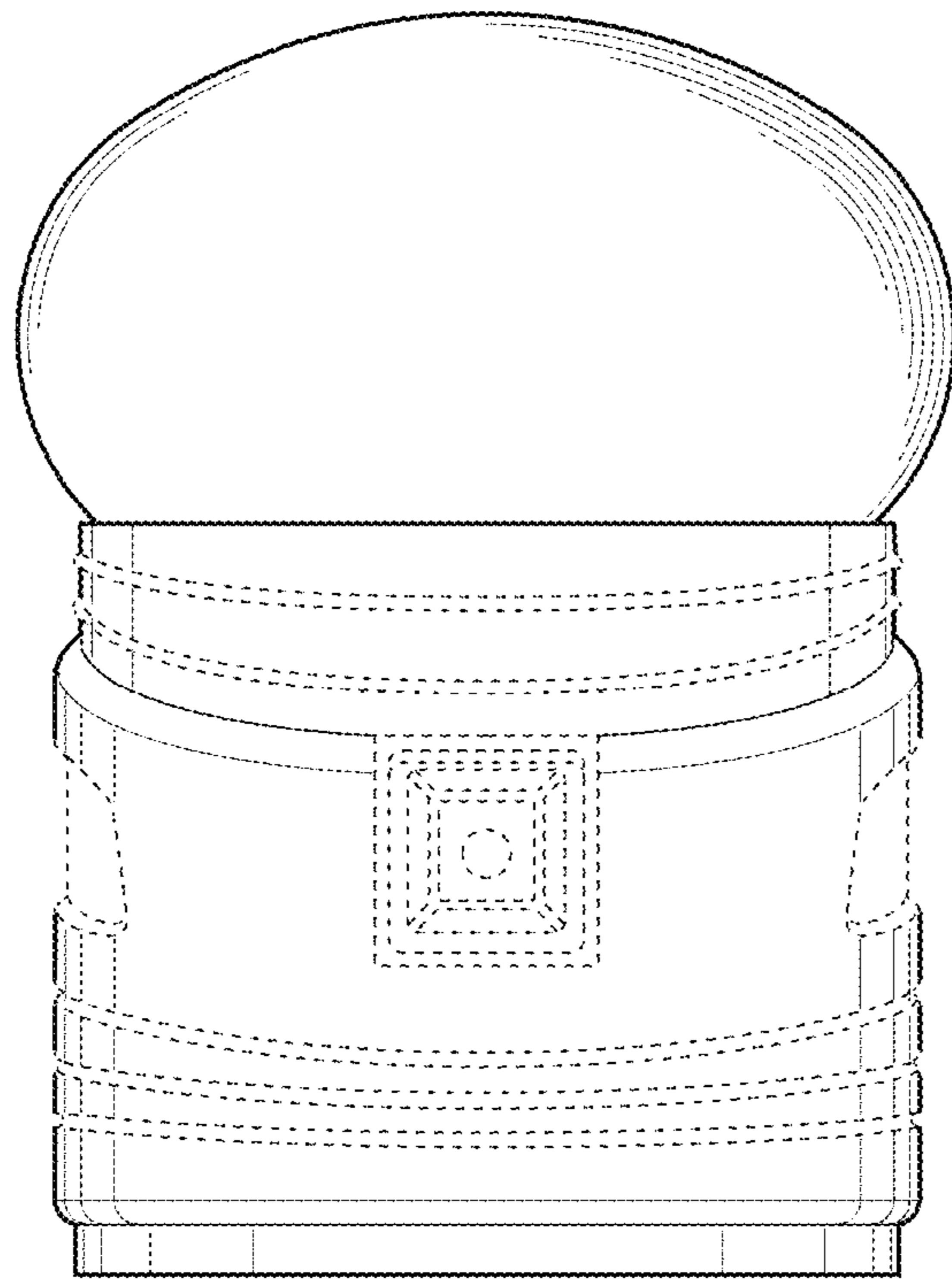
**FIG. 3**



**FIG. 4**



**FIG. 5**



**FIG. 6**