

US00D771490S

(12) **United States Design Patent** (10) **Patent No.:** **US D771,490 S**  
**Junkel** (45) **Date of Patent:** **\*\* Nov. 15, 2016**

(54) **NIPPLE FOR BOTTLE**  
(71) Applicant: **O2Cool, LLC**, Chicago, IL (US)  
(72) Inventor: **Eric F. Junkel**, Mount Prospect, IL (US)  
(73) Assignee: **O2COOL, LLC**, Chicago, IL (US)  
(\*\*) Term: **15 Years**

D618,098 S \* 6/2010 Casey ..... D9/447  
D701,765 S \* 4/2014 Fukumoto ..... D9/447  
D704,554 S \* 5/2014 Baird ..... D9/435  
D716,653 S \* 11/2014 Balembois ..... D9/435  
D719,827 S \* 12/2014 Duran ..... D9/447  
D721,959 S \* 2/2015 Yamada ..... D9/440  
D723,917 S \* 3/2015 Koffel ..... D9/447  
D736,562 S \* 8/2015 Green ..... D7/510

\* cited by examiner

(21) Appl. No.: **29/530,089**  
(22) Filed: **Jun. 12, 2015**  
(51) **LOC (10) Cl.** ..... **09-07**  
(52) **U.S. Cl.**  
USPC ..... **D9/447**  
(58) **Field of Classification Search**  
USPC ..... D7/300, 316, 387, 397, 510, 511;  
D9/420, 428, 429, 434-440, 443-447,  
D9/449-454, 499, 504, 529, 556, 774,  
D9/783; 239/312  
CPC ..... B65D 2547/063  
See application file for complete search history.

*Primary Examiner* — Robert M Spear  
*Assistant Examiner* — Darcey E Heflin  
(74) *Attorney, Agent, or Firm* — Thompson Coburn LLP

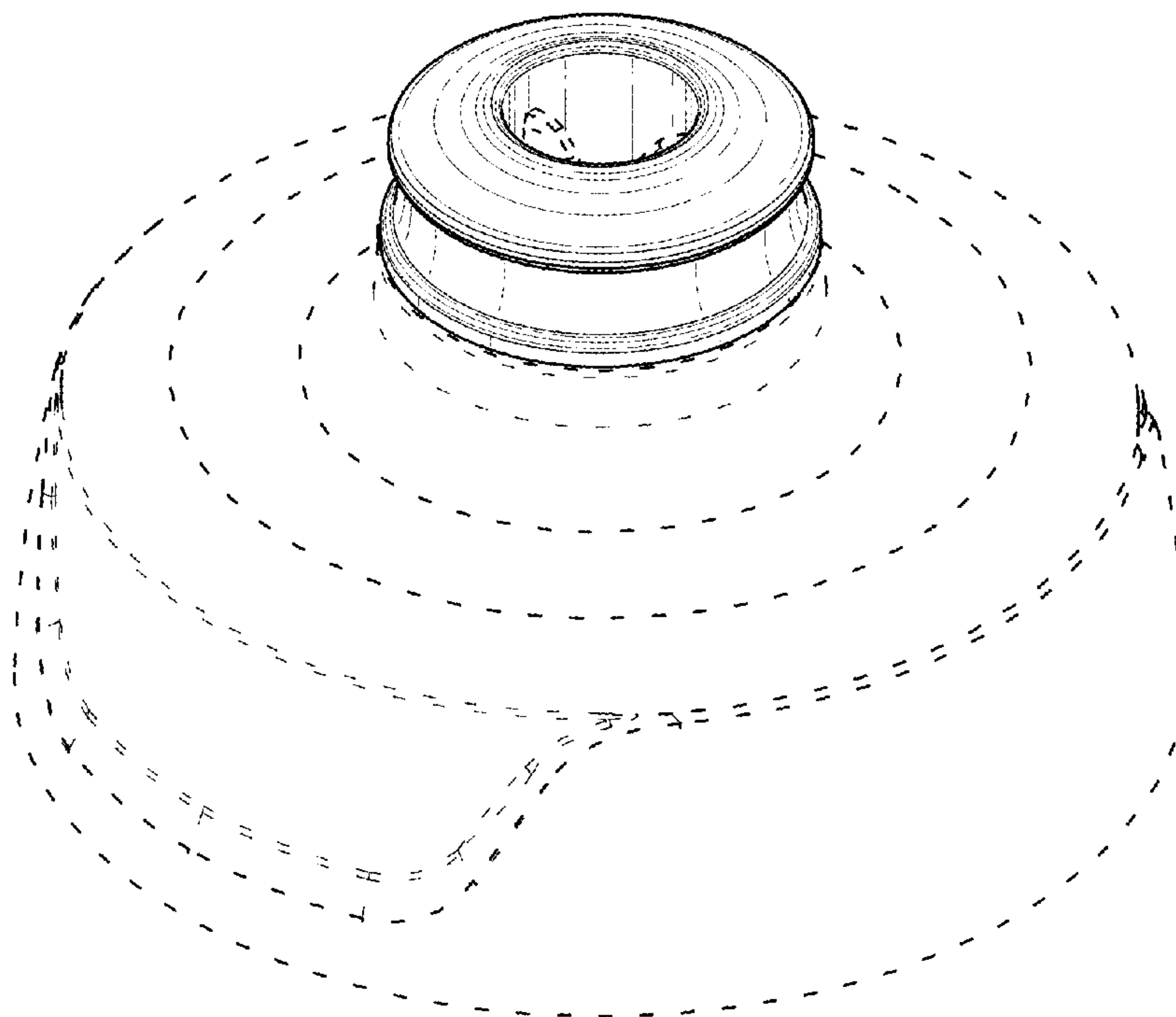
(57) **CLAIM**  
I claim the ornamental design for a nipple for bottle, as shown and described.

**DESCRIPTION**

FIG. 1 is a top perspective view of the nipple for bottle mounted in a bottle cap;  
FIG. 2 is a top perspective view of the nipple for bottle showing my new design;  
FIG. 3 is a bottom perspective view thereof;  
FIG. 4 is a front elevation view with the rear and side views being identical;  
FIG. 5 is a top plan view thereof; and,  
FIG. 6 is a bottom view thereof.  
The broken lines in the drawings depict environmental subject matter only and form no part of the claimed design.

(56) **References Cited**  
U.S. PATENT DOCUMENTS  
2,602,698 A \* 7/1952 Wyckoff ..... A47L 17/00  
239/312  
D198,598 S \* 7/1964 Milenkevich ..... D9/447  
D267,397 S \* 12/1982 Mitchell ..... D9/444  
D267,779 S \* 2/1983 Roth ..... D9/434  
D617,639 S \* 6/2010 Casey ..... D9/447

**1 Claim, 5 Drawing Sheets**



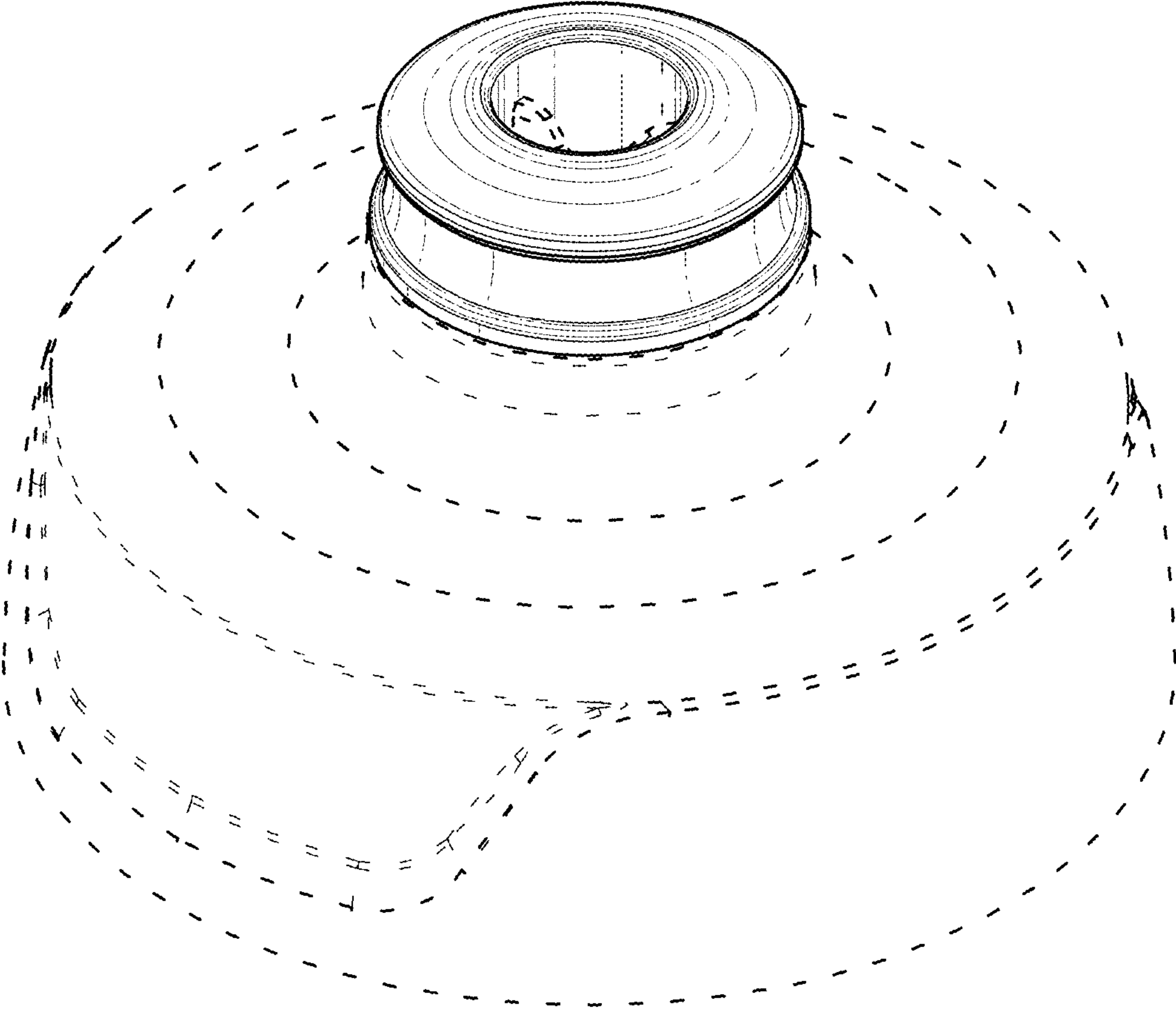


FIG. 1

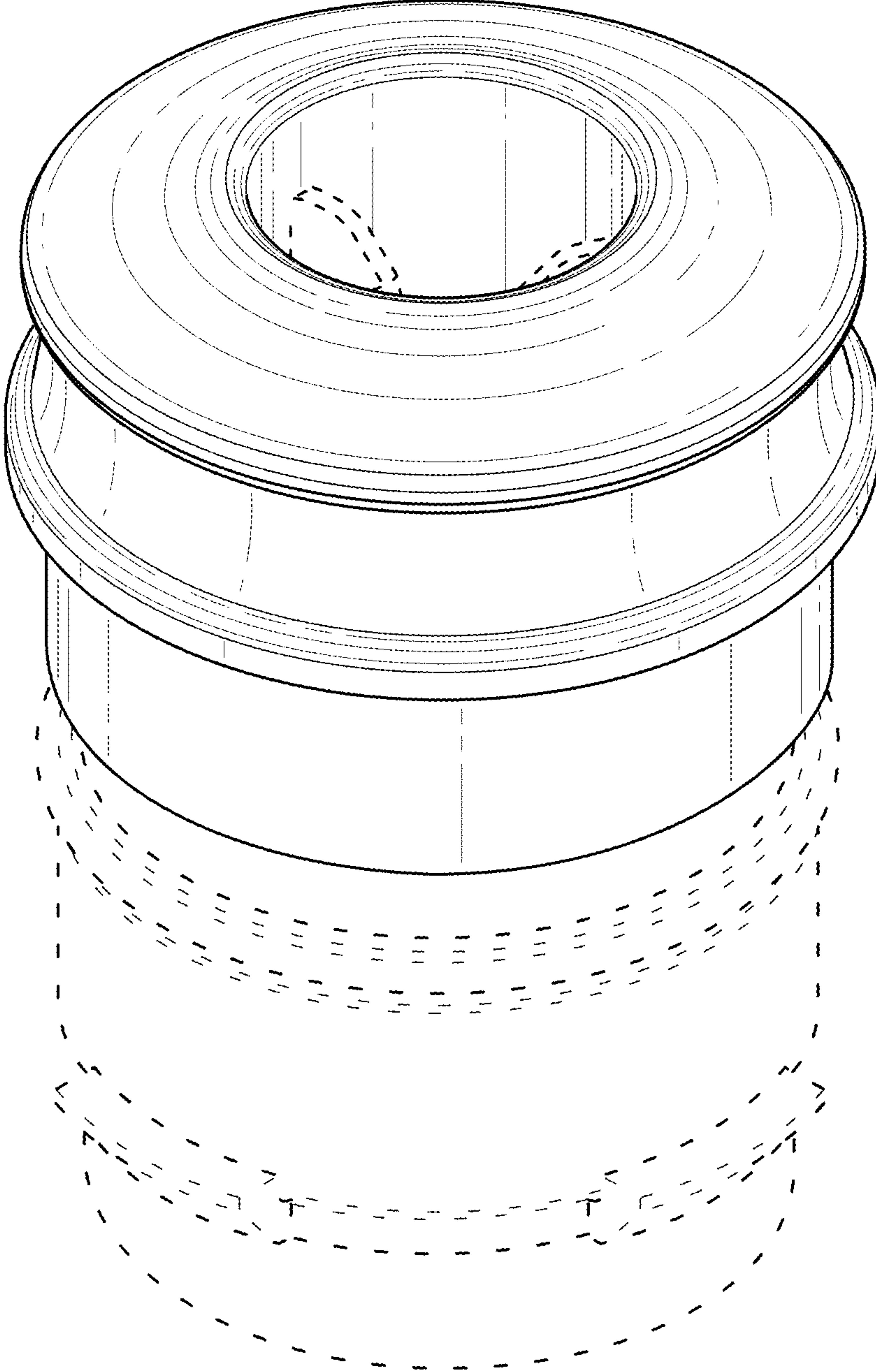


FIG. 2

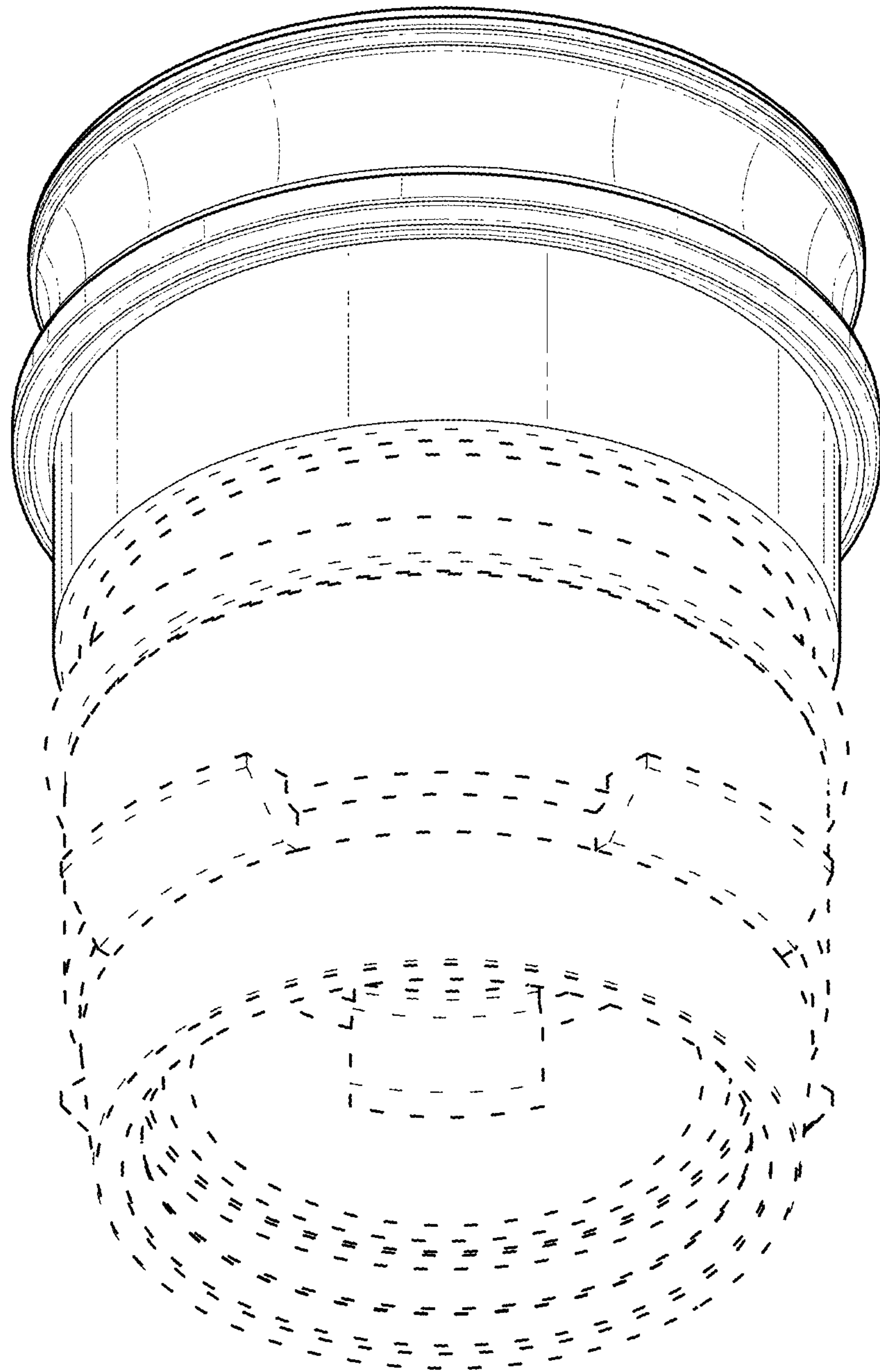


FIG. 3

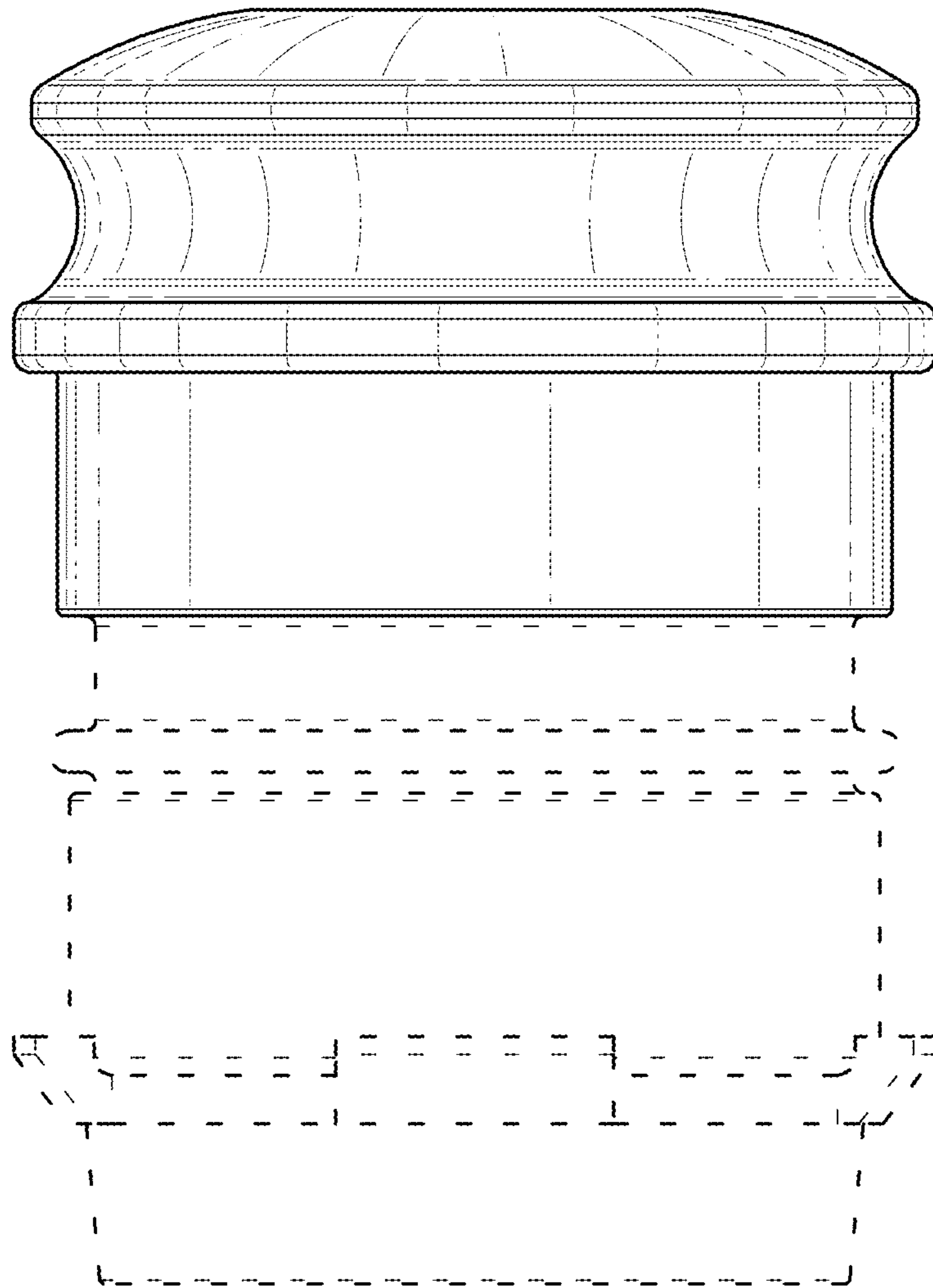
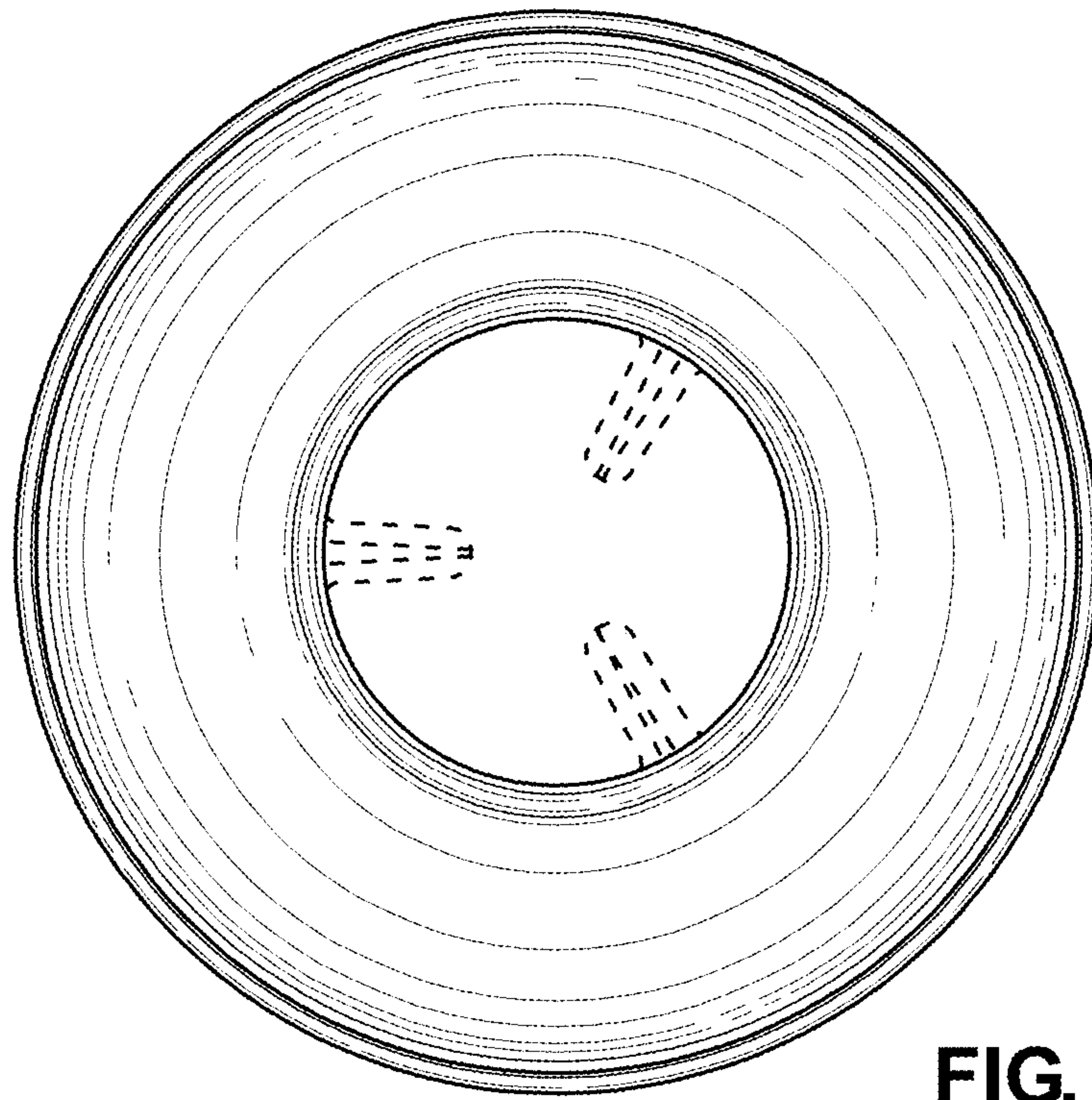
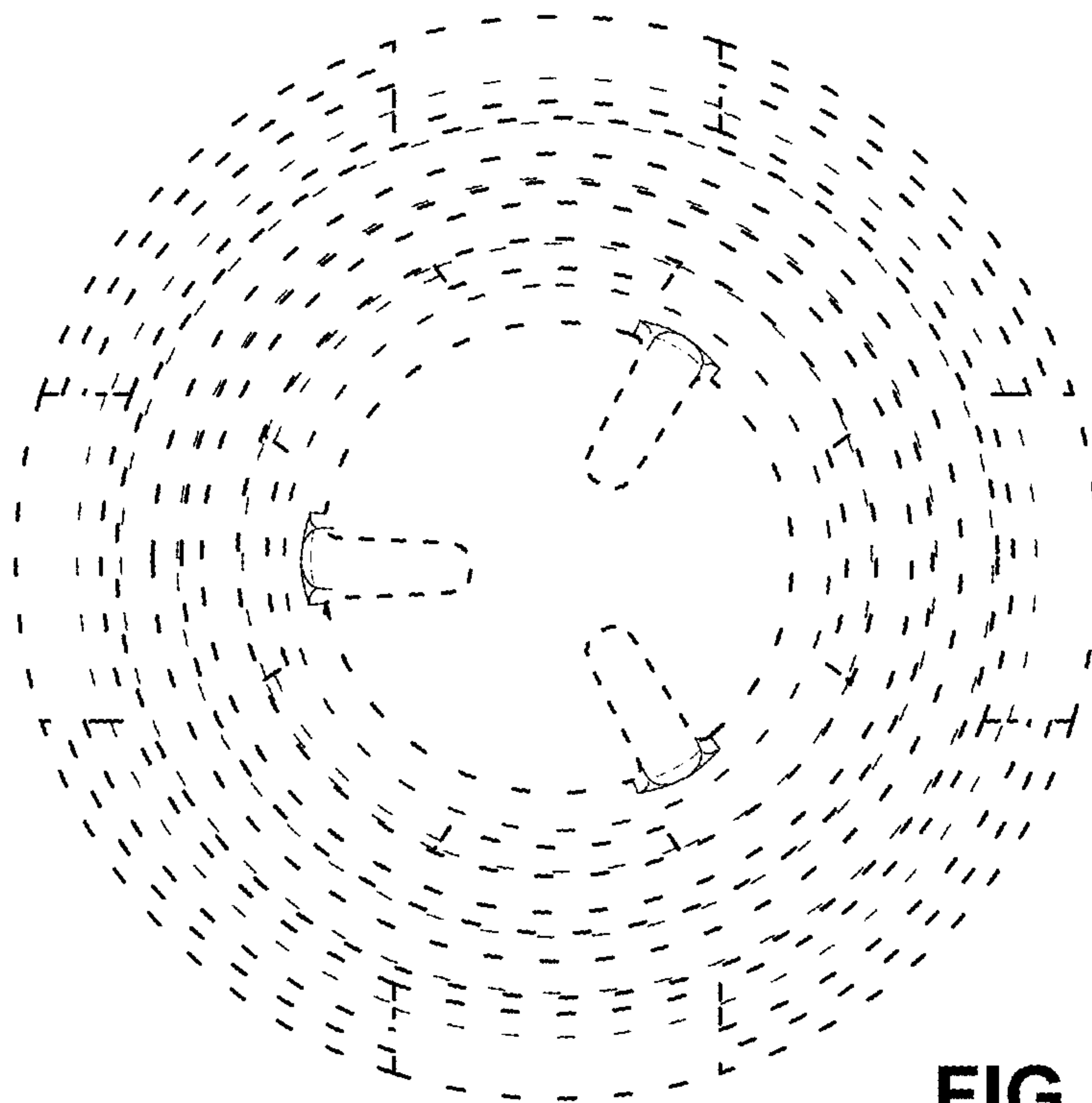


FIG. 4





**FIG. 5**



**FIG. 6**