



US00D771487S

(12) **United States Design Patent**
Roth

(10) **Patent No.:** **US D771,487 S**
(45) **Date of Patent:** **** Nov. 15, 2016**

(54) **REARVIEW DEVICE PACKAGING ASSEMBLY**

(71) Applicant: **Gentex Corporation**, Zeeland, MI (US)

(72) Inventor: **Mark R. Roth**, Grand Rapids, MI (US)

(73) Assignee: **GENTEX CORPORATION**, Zeeland, MI (US)

(**) Term: **15 Years**

(21) Appl. No.: **29/544,180**

(22) Filed: **Oct. 30, 2015**

(51) **LOC (10) Cl.** **09-03**

(52) **U.S. Cl.**
USPC **D9/430**

(58) **Field of Classification Search**
USPC D9/430, 414, 432, 524, 516
CPC B65D 1/00
See application file for complete search history.

(56) **References Cited**

U.S. PATENT DOCUMENTS

D693,679 S	*	11/2013	Sill	D9/423
D718,616 S	*	12/2014	Palmer	D9/416
D738,202 S	*	9/2015	Stone	D9/418
D758,191 S	*	6/2016	Tu	D9/414

* cited by examiner

Primary Examiner — Cynthia Underwood

(74) *Attorney, Agent, or Firm* — Price Heneveld LLP;
Bradley D. Johnson

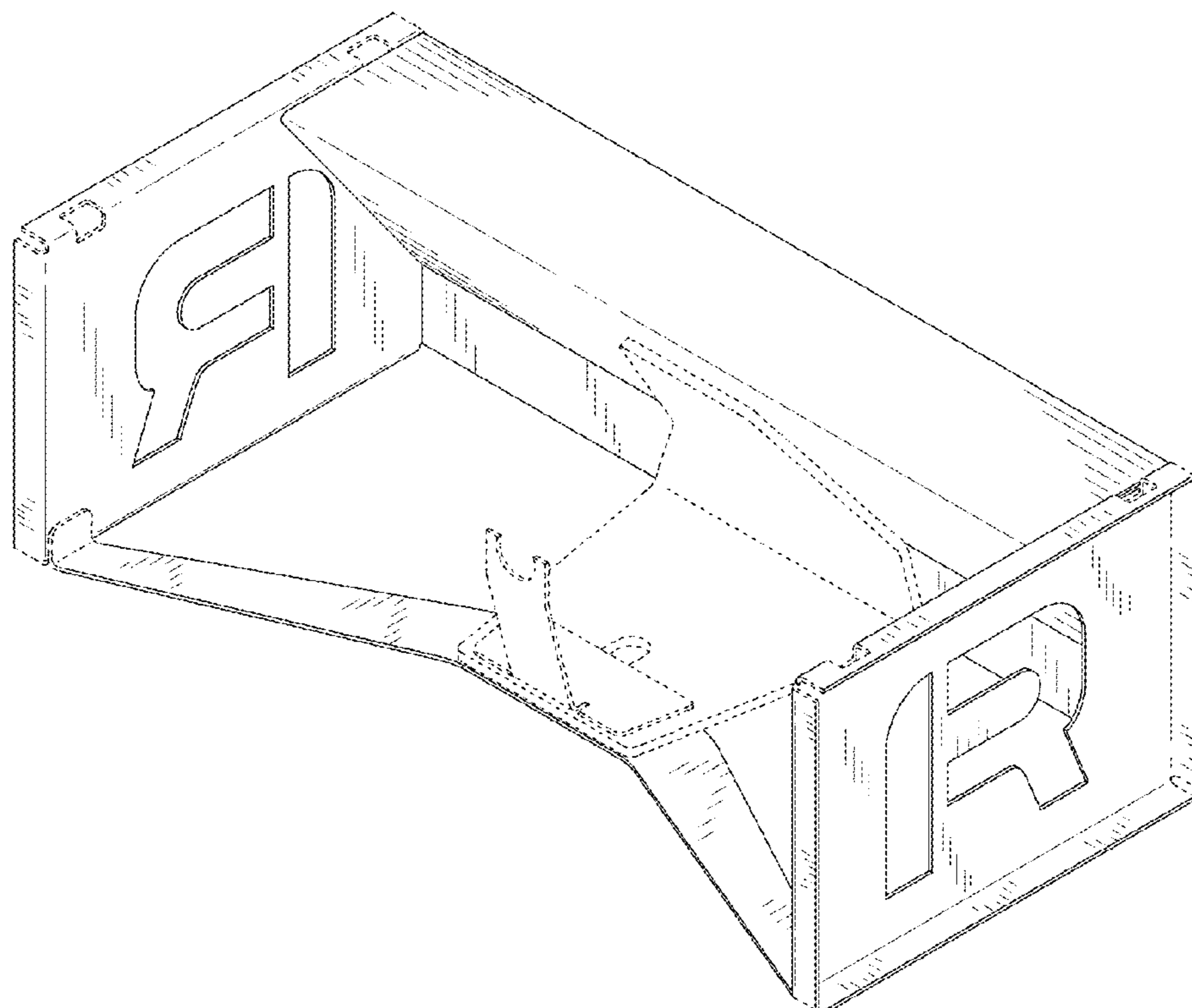
(57) **CLAIM**

I claim the ornamental design for a rearview device packaging assembly, as shown and described.

DESCRIPTION

FIG. 1 is a top perspective view of a rearview device packaging assembly of the present disclosure;
FIG. 2 is a bottom perspective view of the rearview device packaging assembly of FIG. 1;
FIG. 3 is a front elevational view of the rearview device packaging assembly of FIG. 1;
FIG. 4 is a rear elevational view of the rearview device packaging assembly of FIG. 1;
FIG. 5 is a first side elevational view of the rearview device packaging assembly of FIG. 1;
FIG. 6 is a second side elevational view of the rearview device packaging assembly of FIG. 1;
FIG. 7 is a top plan view of the rearview device packaging assembly of FIG. 1; and,
FIG. 8 is a bottom plan view of the rearview device packaging assembly of FIG. 1.
Broken lines are environmental only and form no part of the claimed design.

1 Claim, 4 Drawing Sheets



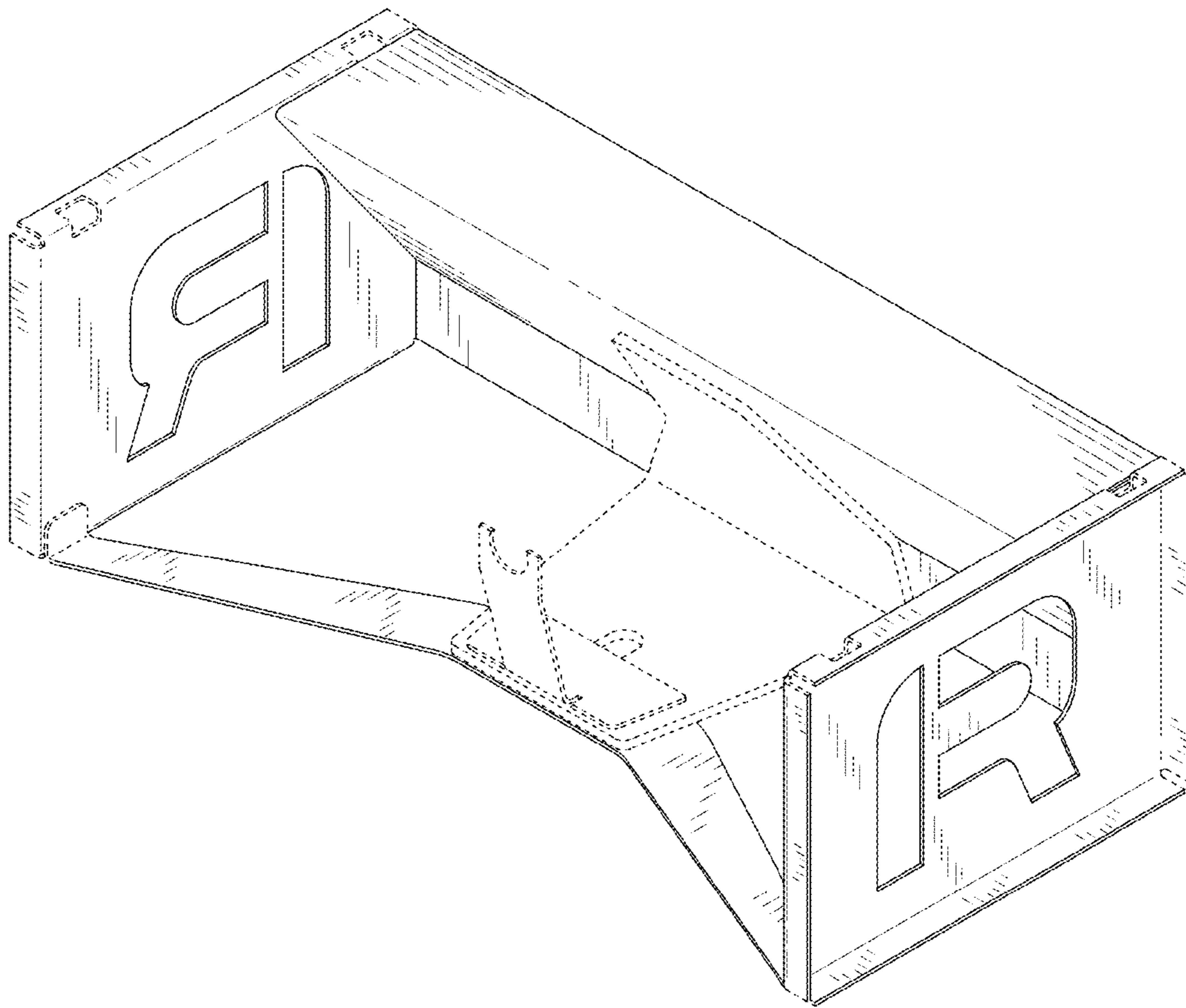


FIG. 1

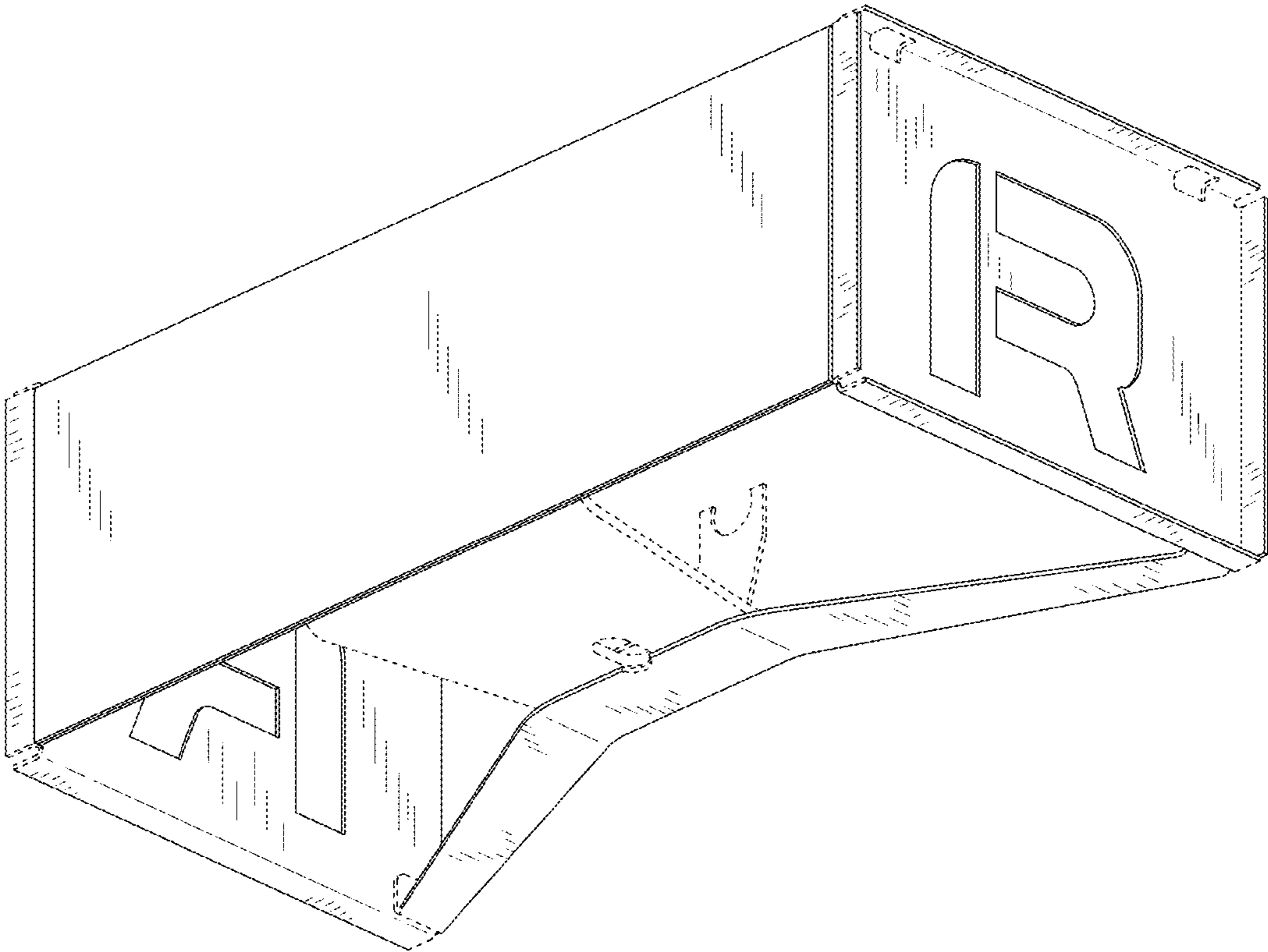


FIG. 2

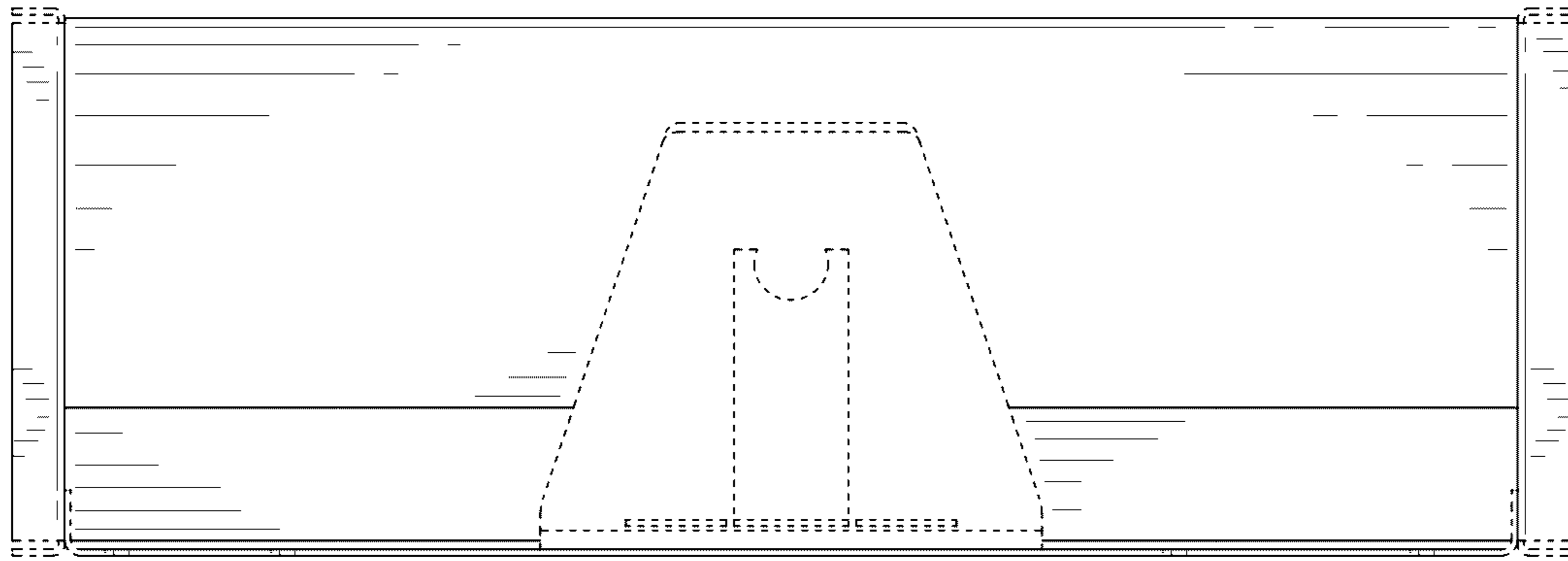


FIG. 3

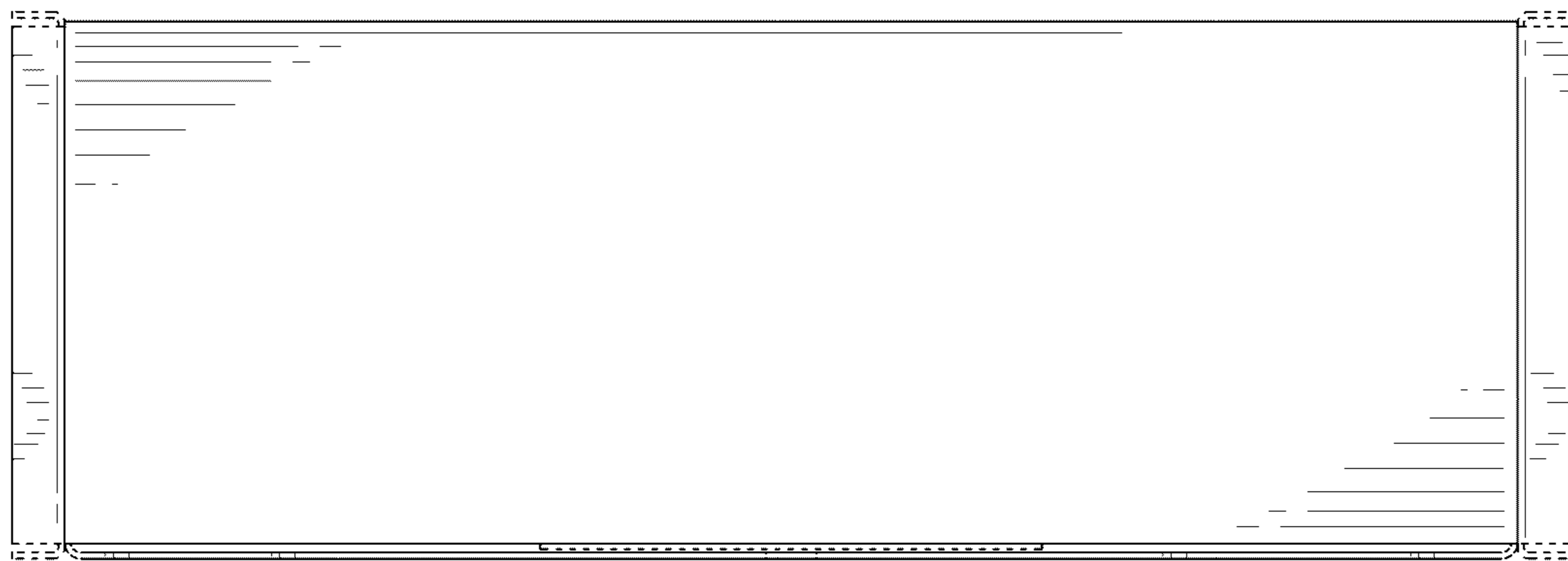


FIG. 4

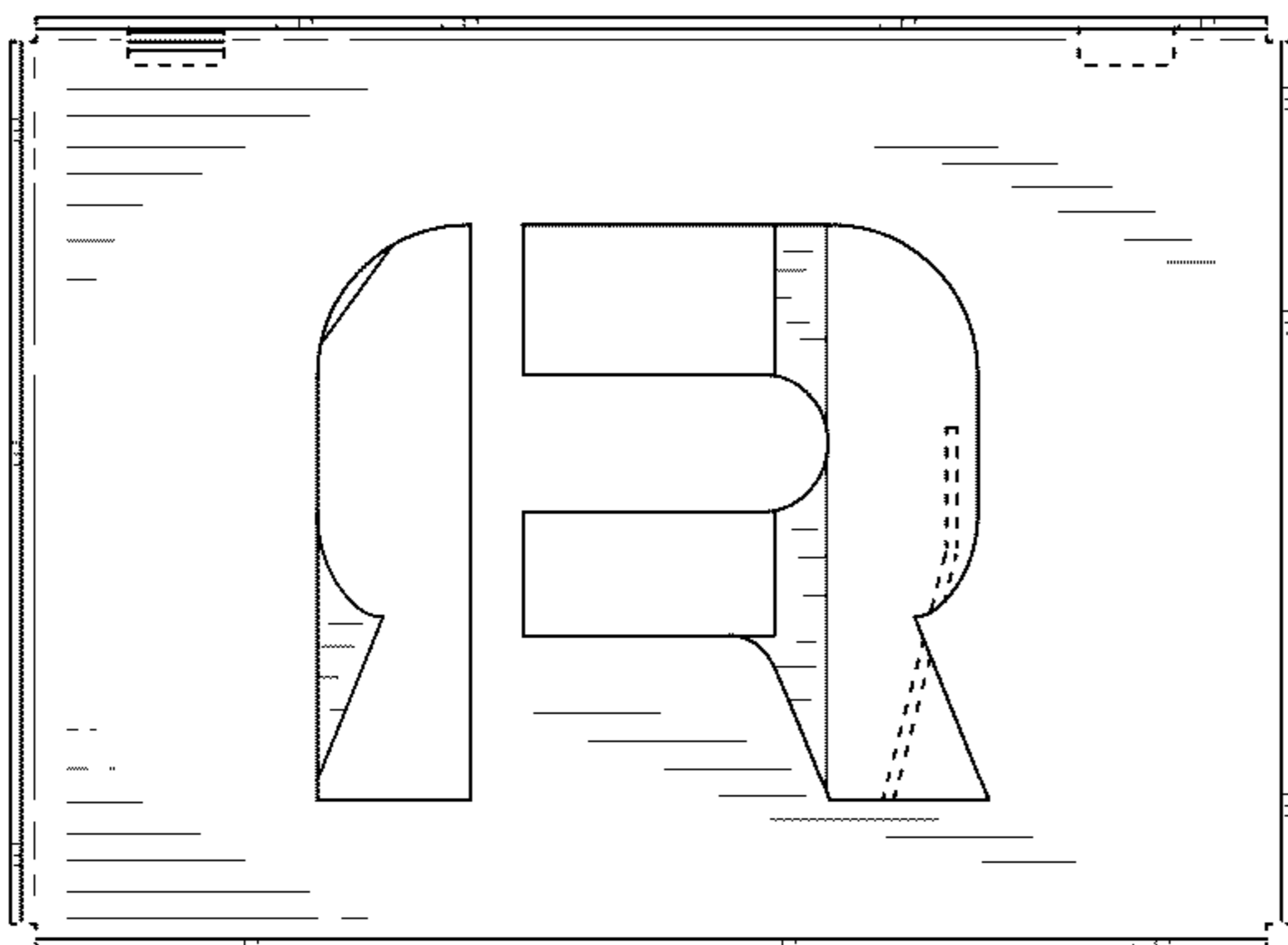


FIG. 5

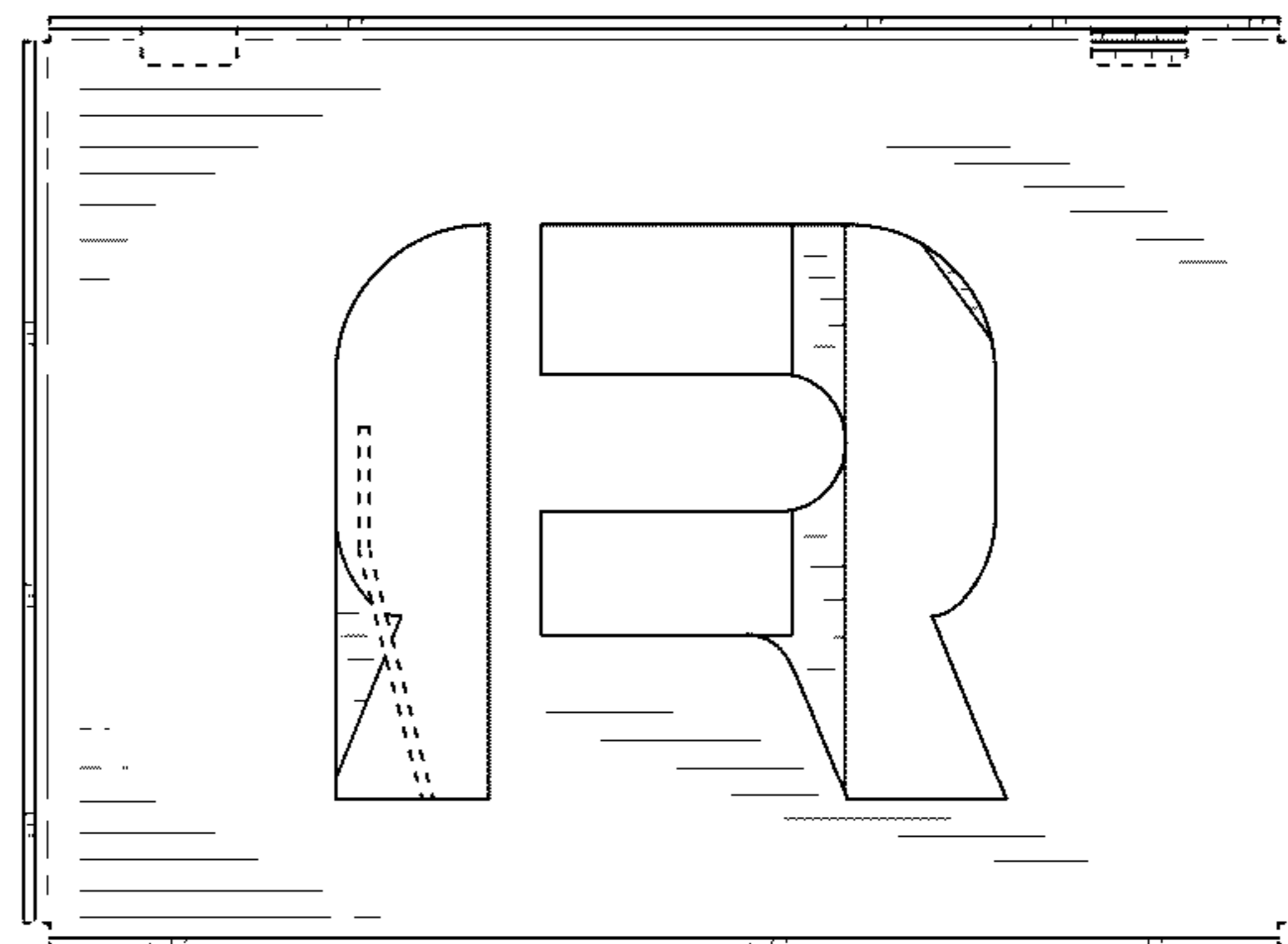


FIG. 6

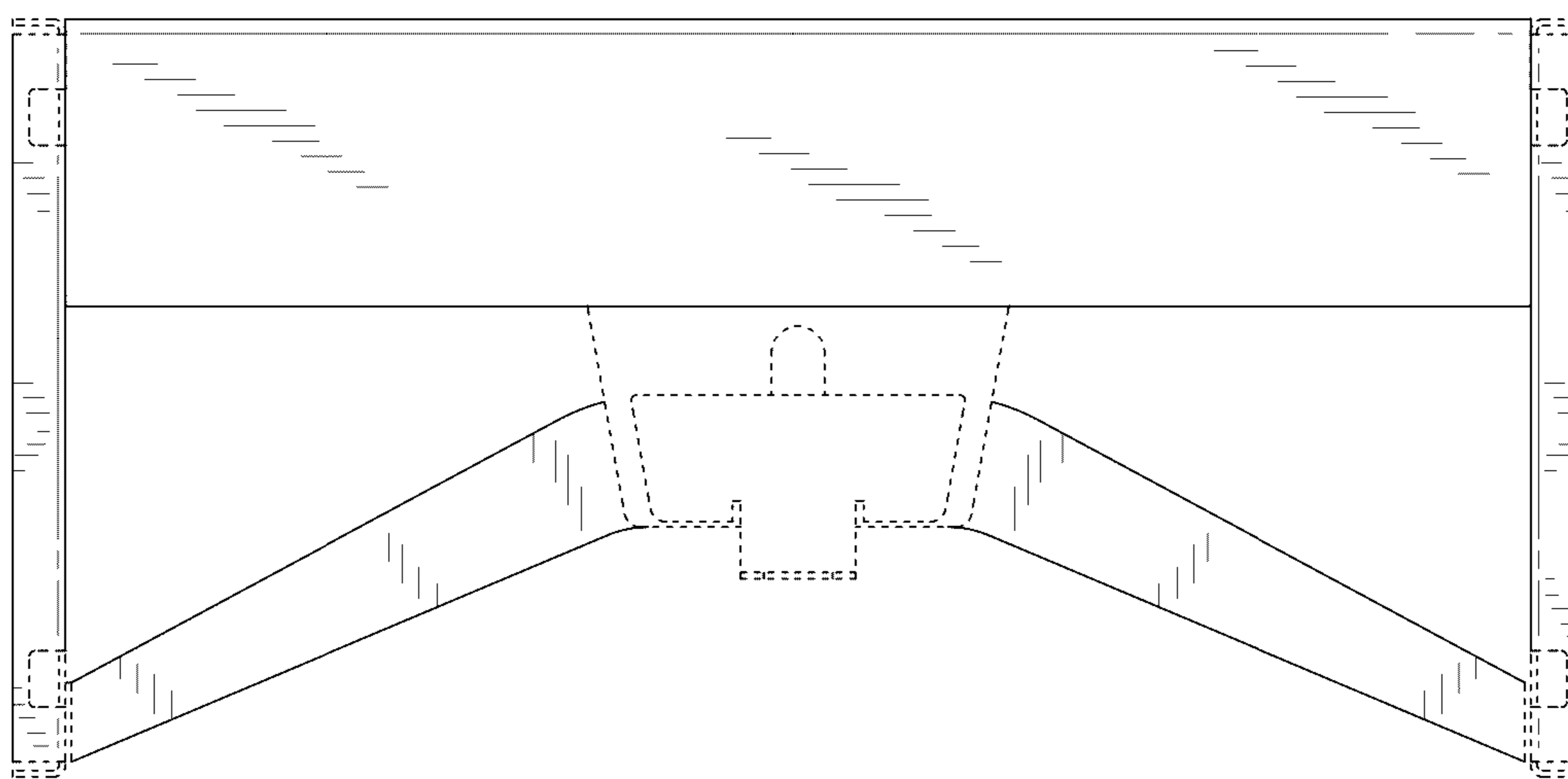


FIG. 7

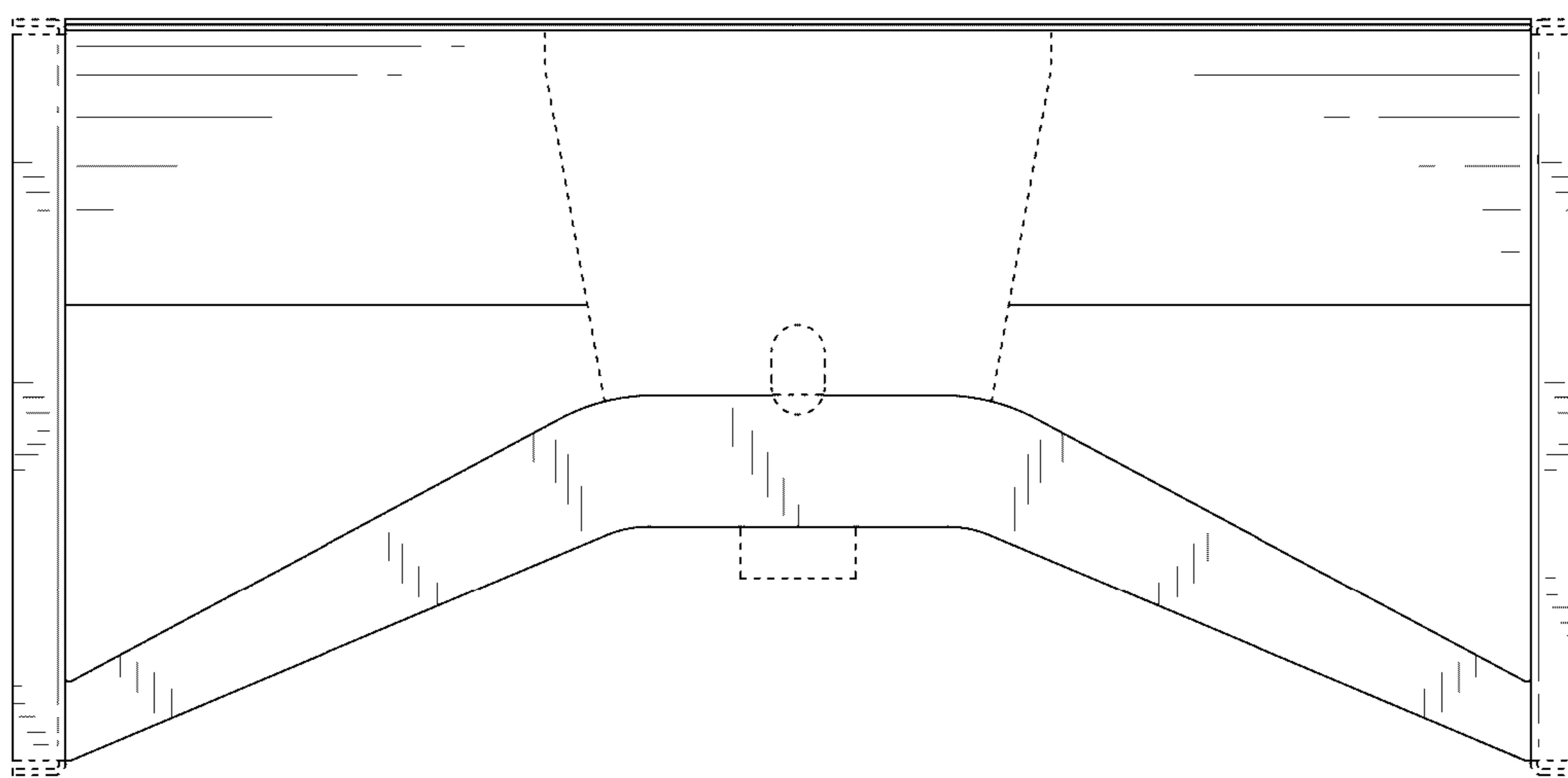


FIG. 8